



US00D685581S

(12) **United States Design Patent**
Chen

(10) **Patent No.:** **US D685,581 S**

(45) **Date of Patent:** **** Jul. 9, 2013**

(54) **SLEEVE KIT**

8,307,980 B1 * 11/2012 Kao 206/378
8,381,905 B1 * 2/2013 Kao 206/378
8,387,792 B2 * 3/2013 Chen 206/378

(76) Inventor: **Kun-Chen Chen**, Taichung (TW)

* cited by examiner

(**) Term: **14 Years**

Primary Examiner — Ian Simmons

(21) Appl. No.: **29/393,311**

Assistant Examiner — Charles Hanson

(22) Filed: **Jun. 2, 2011**

(74) *Attorney, Agent, or Firm* — C. G. Mersereau; Nikolai & Mersereau, P.A.

(51) **LOC (9) Cl.** **03-02**

(52) **U.S. Cl.**
USPC **D3/315**

(57) **CLAIM**

The ornamental design for a sleeve kit, as shown.

(58) **Field of Classification Search**

USPC ... D3/315, 284, 273, 313, 905, 282; 220/500,
220/527, 528; 206/372-379; D9/415; D8/71;
211/70.6

DESCRIPTION

See application file for complete search history.

FIG. 1 is a perspective view of a sleeve kit, showing my new design;

FIG. 2 is a front view thereof;

FIG. 3 is a rear view thereof;

FIG. 4 is a left side view thereof;

FIG. 5 is a right side view thereof;

FIG. 6 is a top view thereof;

FIG. 7 is a bottom view thereof; and,

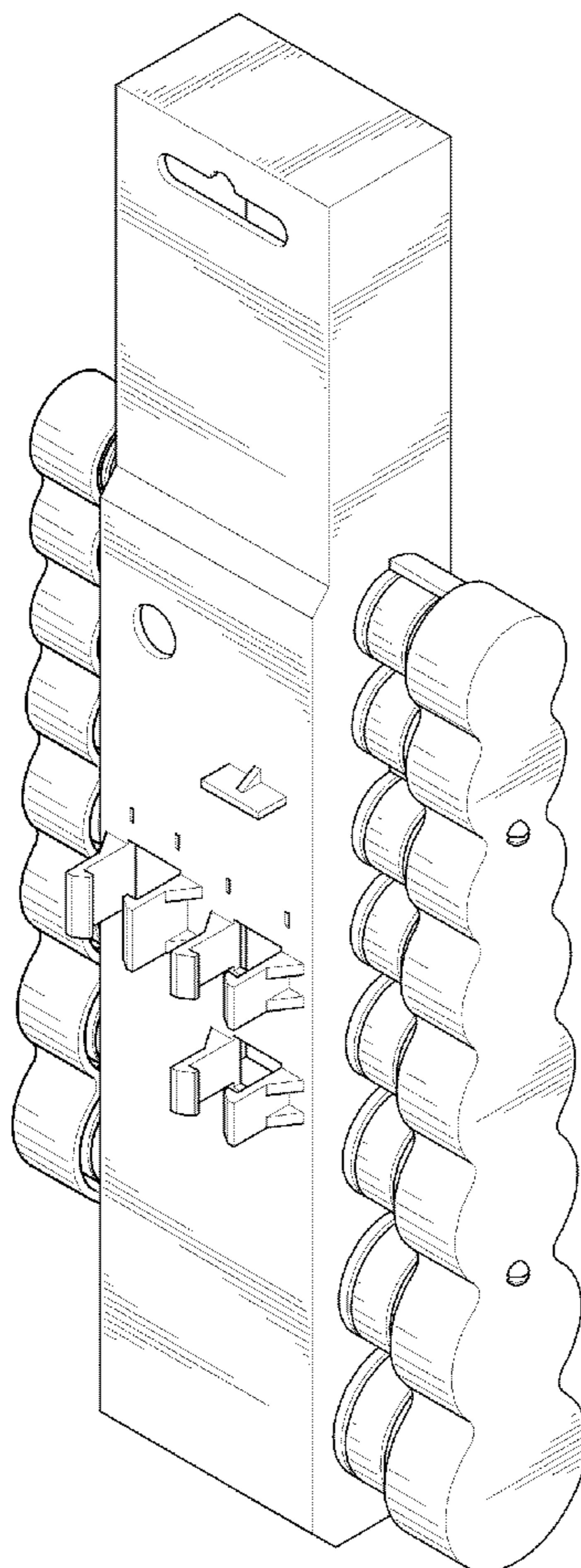
FIG. 8 is a rear perspective view thereof.

(56) **References Cited**

U.S. PATENT DOCUMENTS

| | | | | | | |
|-----------|----|---|---------|-----------|-------|----------|
| D415,415 | S | * | 10/1999 | Robertson | | D3/315 |
| 5,975,297 | A | * | 11/1999 | Kao | | 206/378 |
| 6,092,656 | A | * | 7/2000 | Ernst | | 206/378 |
| D446,651 | S | * | 8/2001 | Liao | | D3/284 |
| 8,205,758 | B2 | * | 6/2012 | Shih | | 211/70.6 |

1 Claim, 6 Drawing Sheets



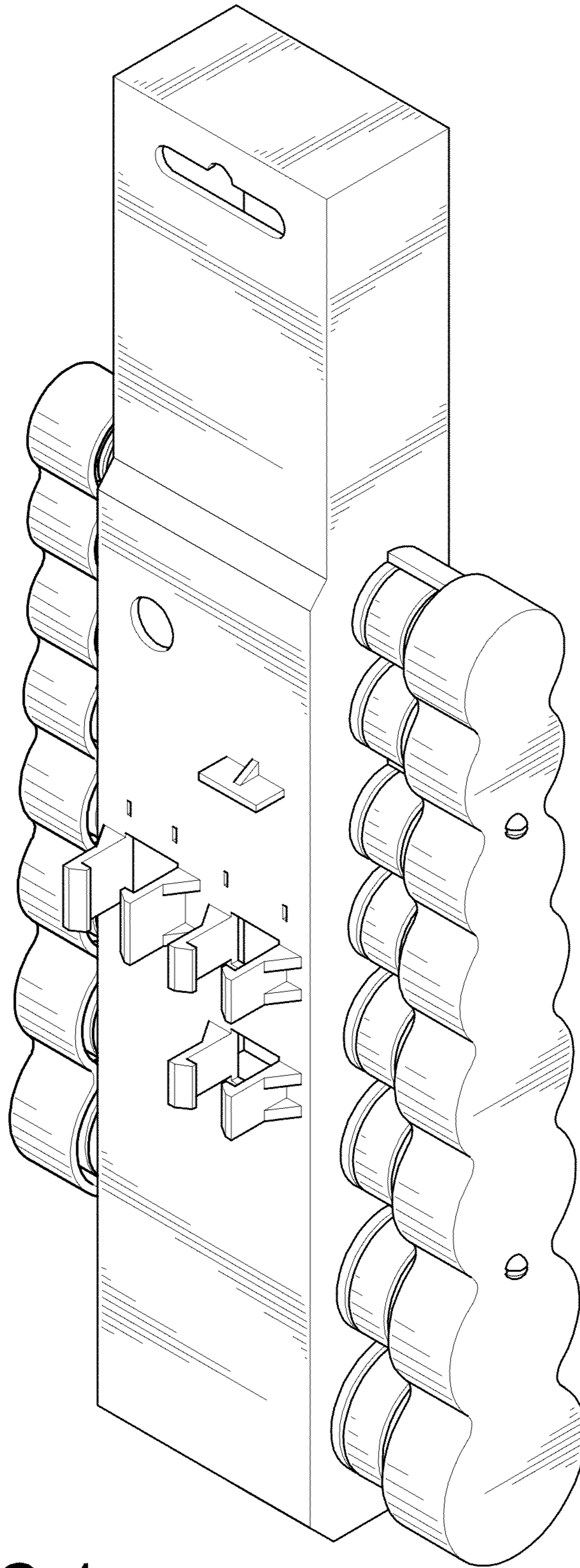


FIG. 1

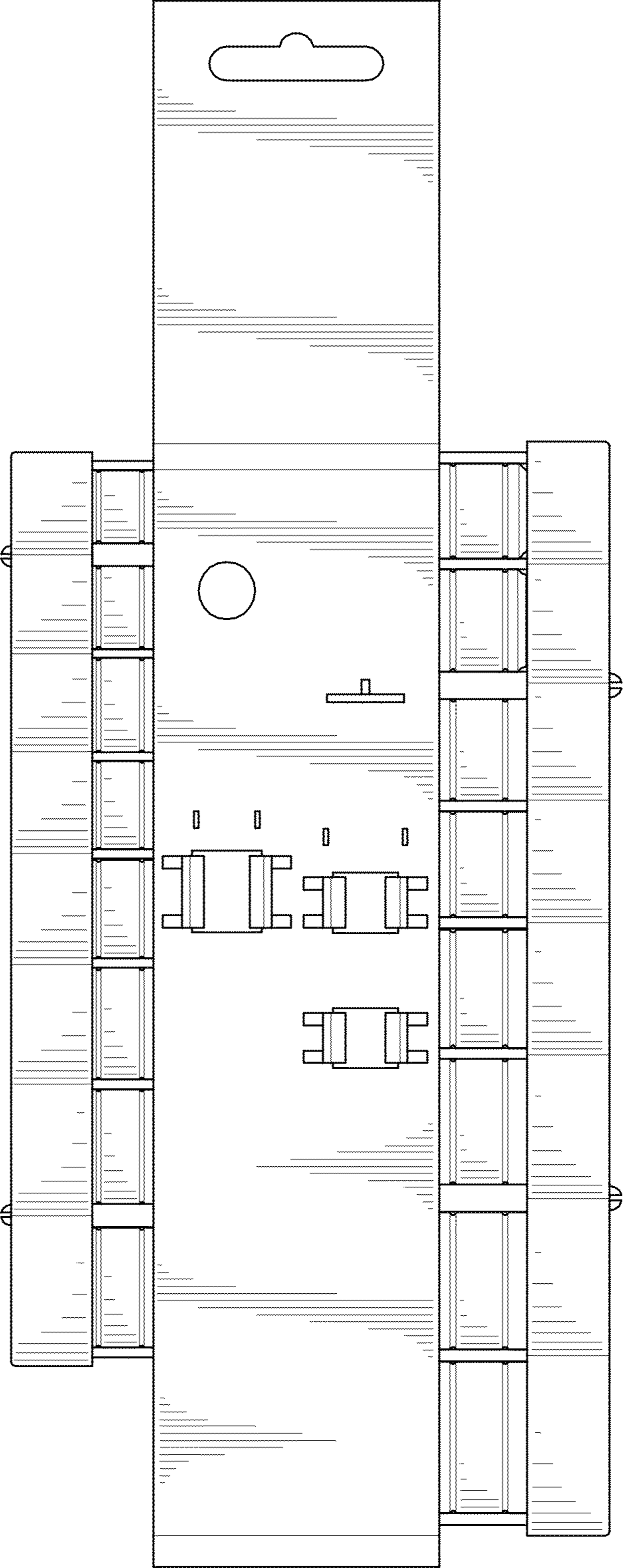


FIG.2

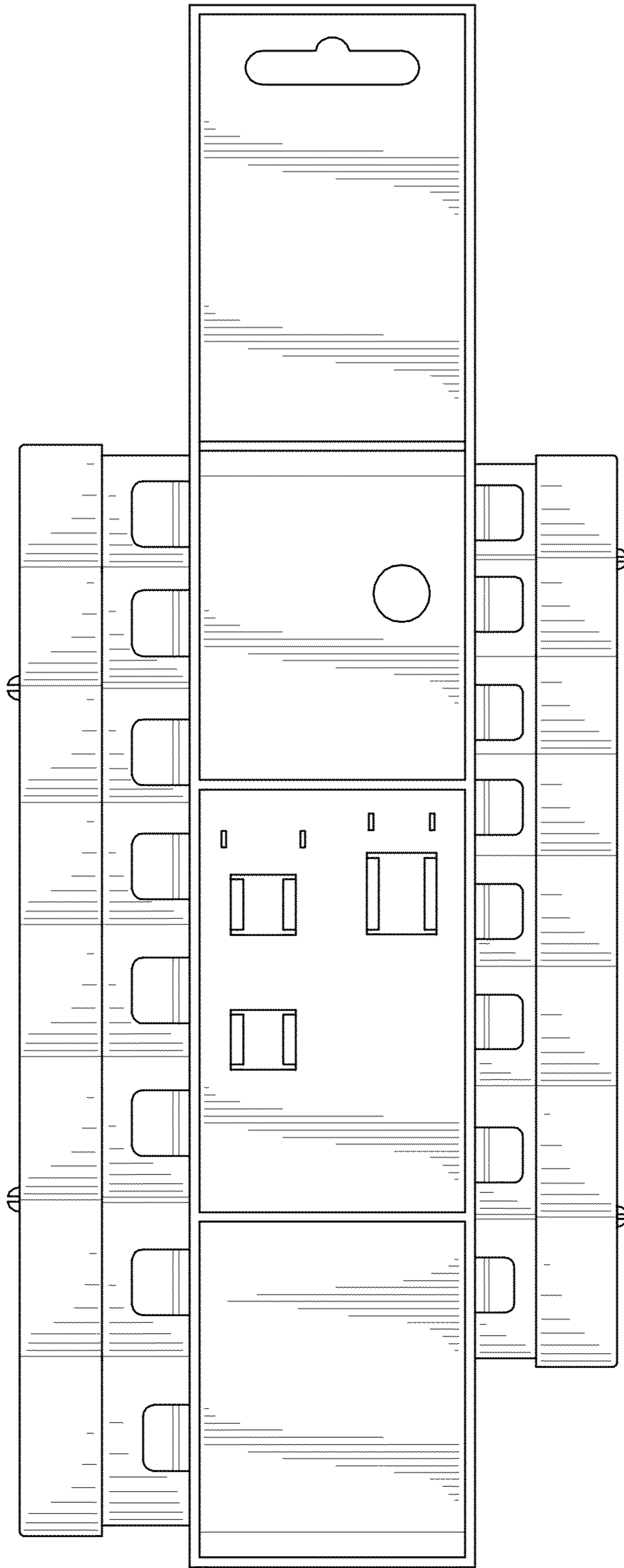


FIG.3

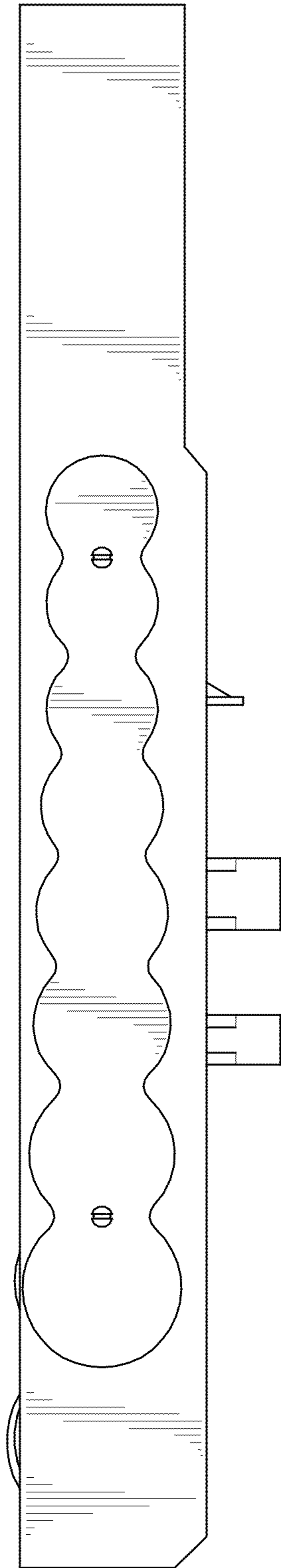


FIG. 4

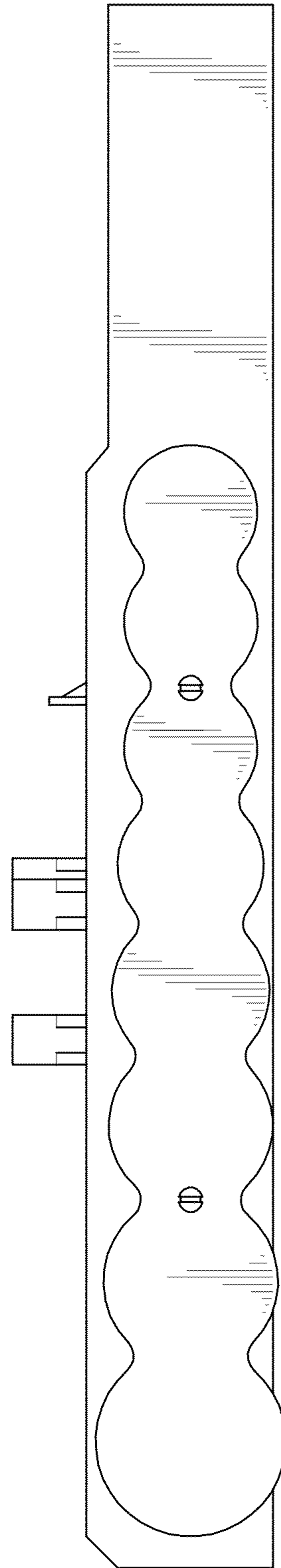


FIG. 5

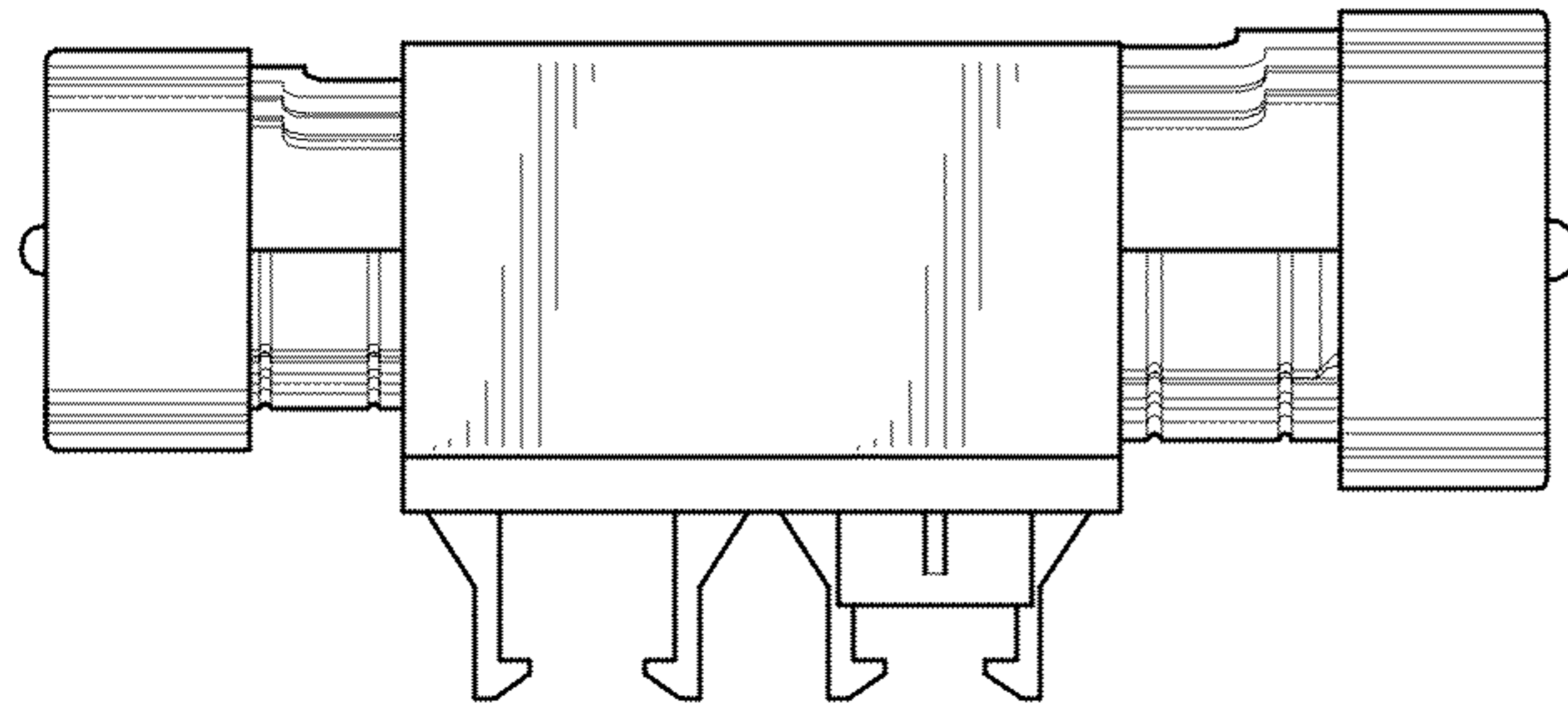


FIG. 6

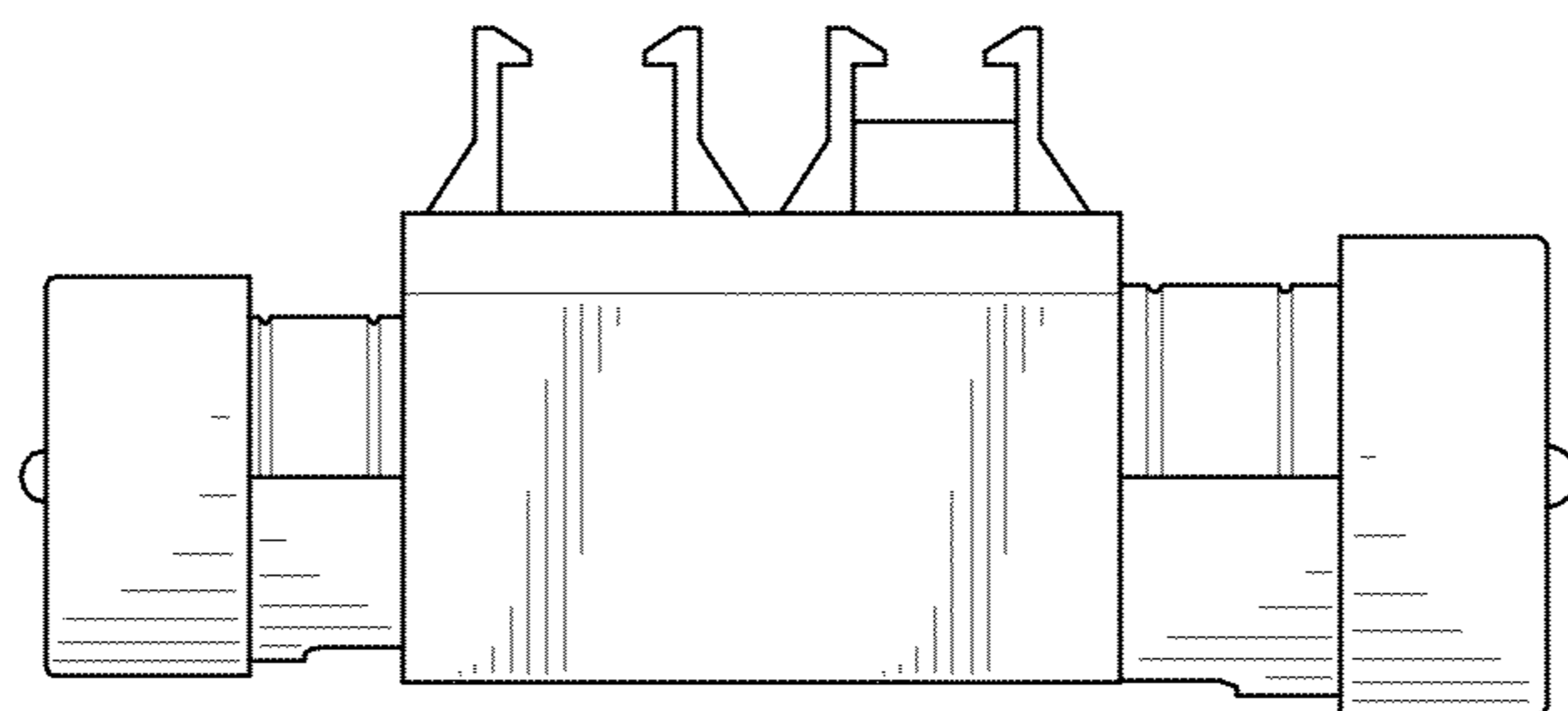


FIG. 7

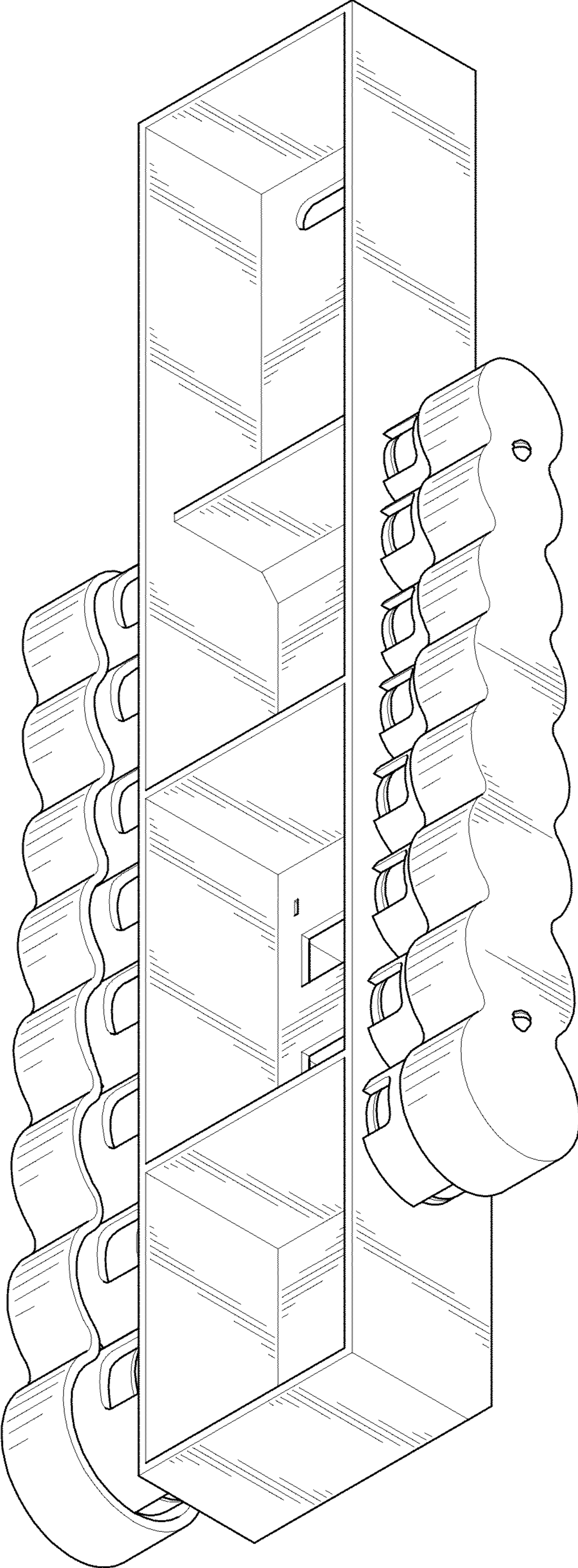


FIG.8