



US00D685576S

(12) **United States Design Patent**  
**Gould et al.**

(10) **Patent No.:** **US D685,576 S**  
(45) **Date of Patent:** **\*\* Jul. 9, 2013**

(54) **PORTABLE STORAGE DEVICE**

(71) Applicants: **Seth Gould**, Bloomfield Township, MI (US); **Andrew Rifkin**, Birmingham, MI (US)

(72) Inventors: **Seth Gould**, Bloomfield Township, MI (US); **Andrew Rifkin**, Birmingham, MI (US)

(\*\*) Term: **14 Years**

(21) Appl. No.: **29/441,628**

(22) Filed: **Jan. 8, 2013**

(51) **LOC (9) Cl.** ..... **03-01**

(52) **U.S. Cl.**  
USPC ..... **D3/290**; D3/299

(58) **Field of Classification Search**  
USPC ..... D3/273, 276, 287, 289, 290, 299, D3/300, 230; 206/320; 150/154, 159, 106, 150/110, 112, 117, 118, 107; 224/600; 190/100-127; 297/188.06, 188.07, 188.08, 297/188.12, 188.13, 188.2, 188.21  
See application file for complete search history.

(56) **References Cited**

U.S. PATENT DOCUMENTS

1,869,071	A *	7/1932	McLean	220/9.3
D222,315	S *	10/1971	Abraham	D3/284
4,556,250	A	12/1985	Chapman et al.	
4,799,731	A *	1/1989	Brown	297/188.12
4,836,369	A *	6/1989	Pickering	206/216
5,421,637	A	6/1995	Lemburg	
5,490,712	A	2/1996	Drelick	
5,573,288	A	11/1996	Raffensperger	
D386,904	S *	12/1997	Bradshaw, Jr.	D3/273
5,816,463	A	10/1998	Echeverri	
D413,733	S	9/1999	Edmonds	
6,053,570	A	4/2000	Stern et al.	
6,082,816	A	7/2000	Gottlieb et al.	
6,102,569	A *	8/2000	Wang	383/104

D442,809	S *	5/2001	de Windt et al.	D6/500
6,474,524	B1 *	11/2002	Ivarson et al.	224/653
7,128,369	B2 *	10/2006	Boggs et al.	297/188.08
D675,019	S *	1/2013	Jacobson	D3/285
2008/0302840	A1	12/2008	Missick	

OTHER PUBLICATIONS

The Messenger 10 rePETE™ sold by chico bag at; www.chicobag.com/category/messenger10-repete\_copyright\_2012, last accessed on Mar. 23, 2012.

Related U.S. Appl. No. 13/561,137, filed Jul. 30, 2012.

\* cited by examiner

Primary Examiner — Jennifer Rivard

(74) Attorney, Agent, or Firm — The Dobrusin Law Firm, P.C.

(57) **CLAIM**

The ornamental design for a portable storage device, as shown and described.

**DESCRIPTION**

FIG. 1 is a perspective view of the portable storage device. FIG. 2 is a perspective view with the portable storage device being open.

FIG. 3 is a front elevational view of the portable storage device.

FIG. 4 is a rear elevational view of the portable storage device.

FIG. 5 is a top plan view of the portable storage device.

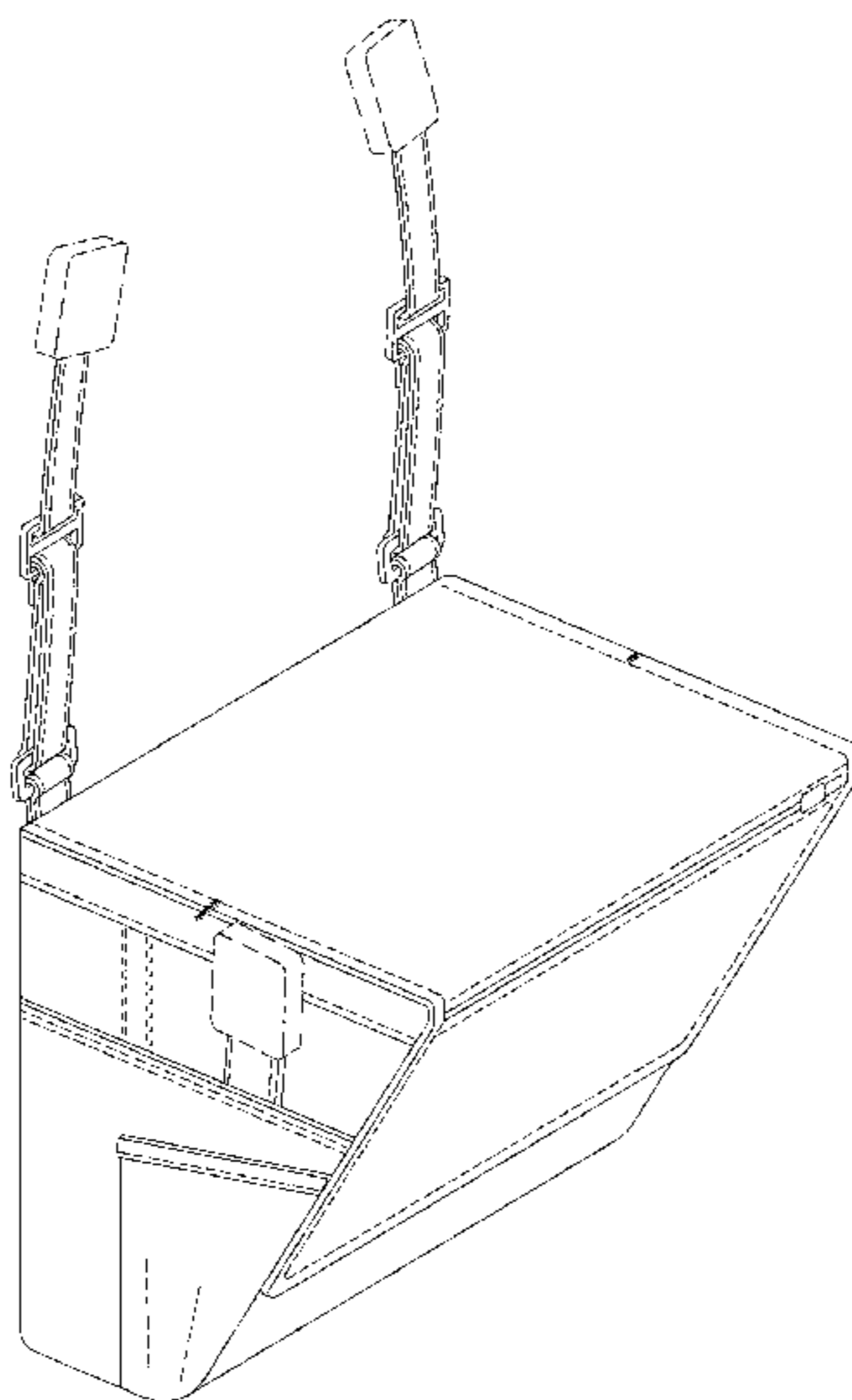
FIG. 6 is a bottom plan view of the portable storage device.

FIG. 7 is a side elevational view of the portable storage device; and,

FIG. 8 is a side elevational view of the portable storage device.

The broken lines shown along the interior of the device in FIG. 2 represent the bounds of the claim. The remaining broken lines illustrate portions of the article. None of the broken lines forms part of the claimed design.

**1 Claim, 5 Drawing Sheets**



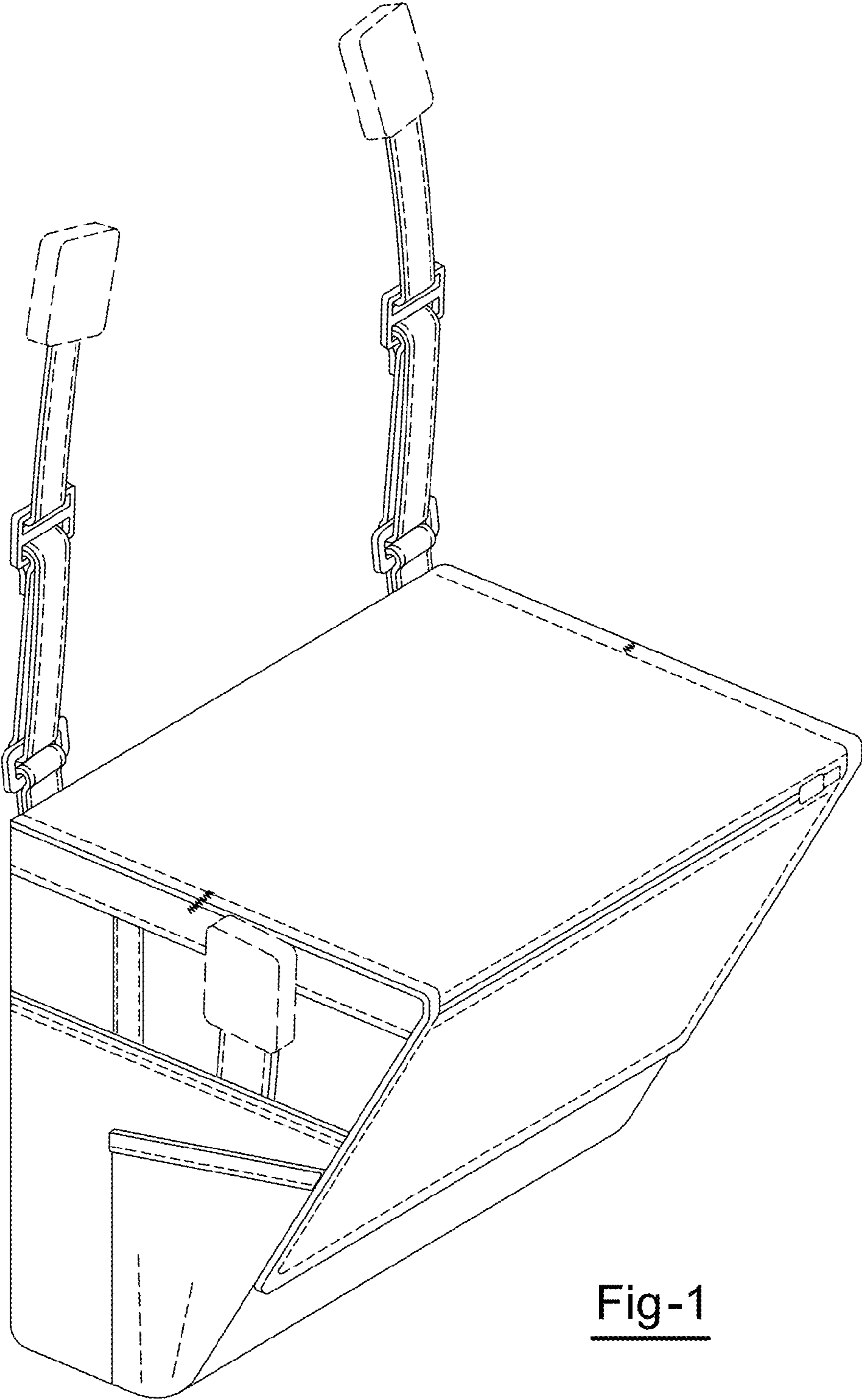


Fig-1

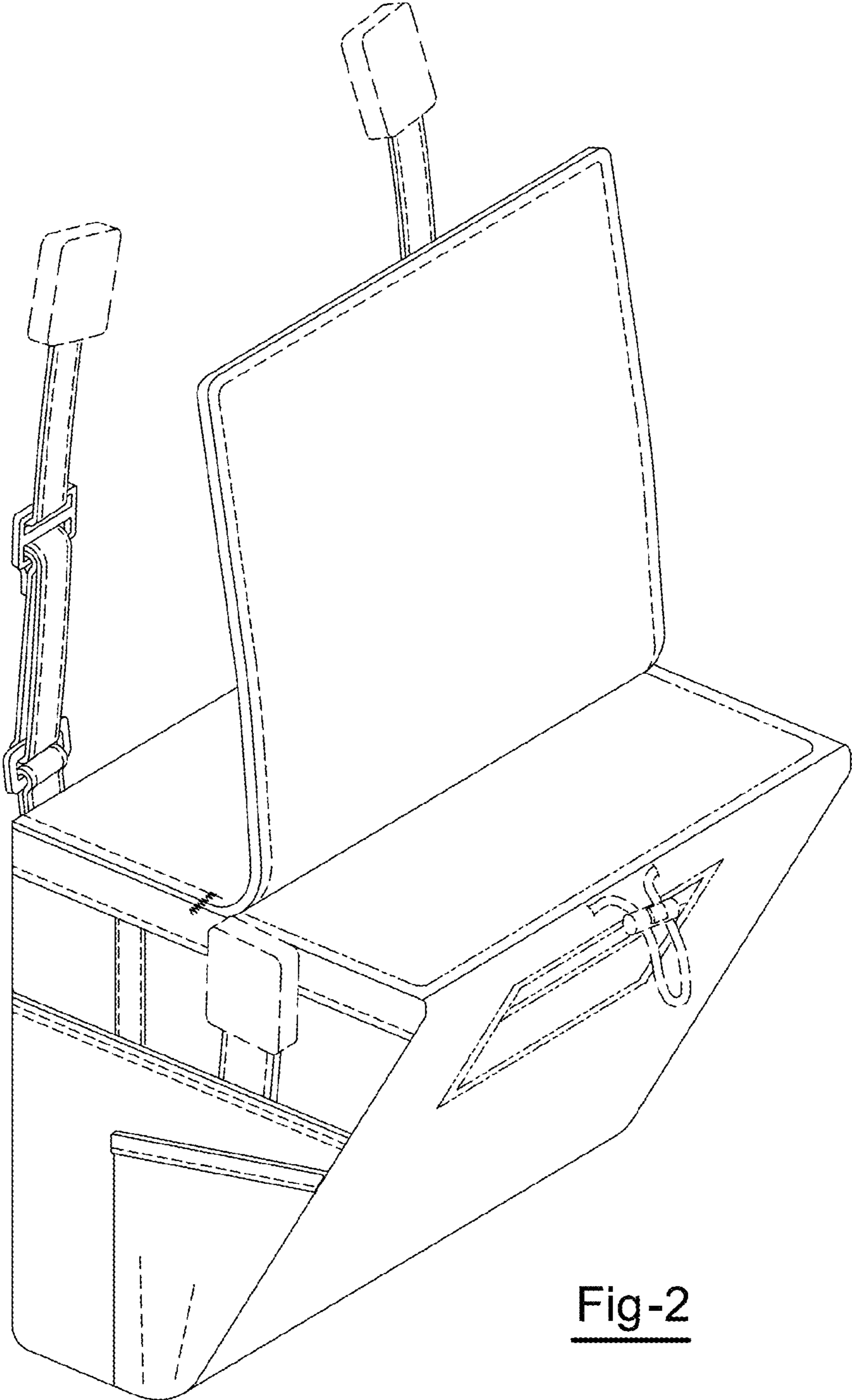


Fig-2

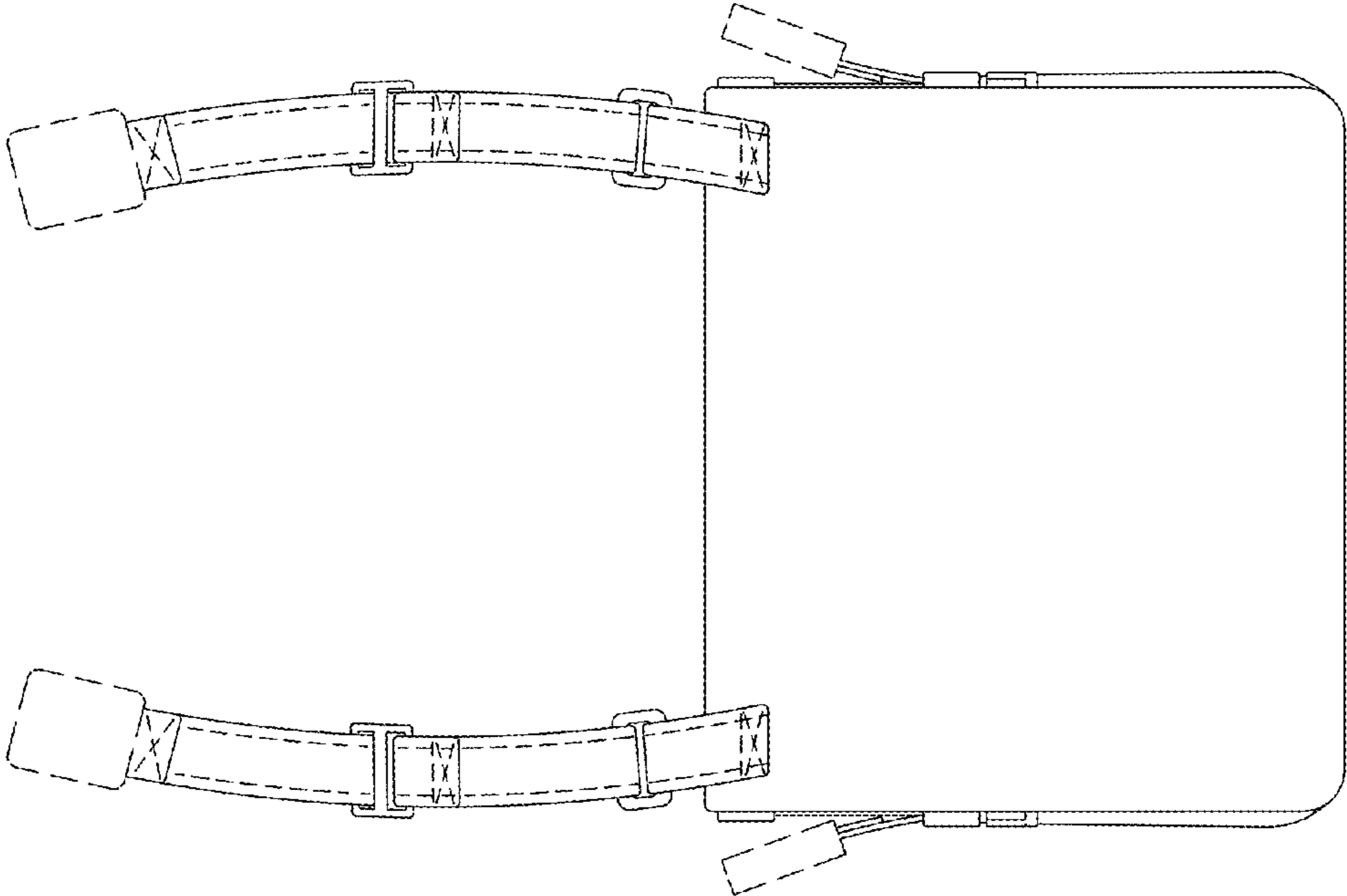


Fig-4

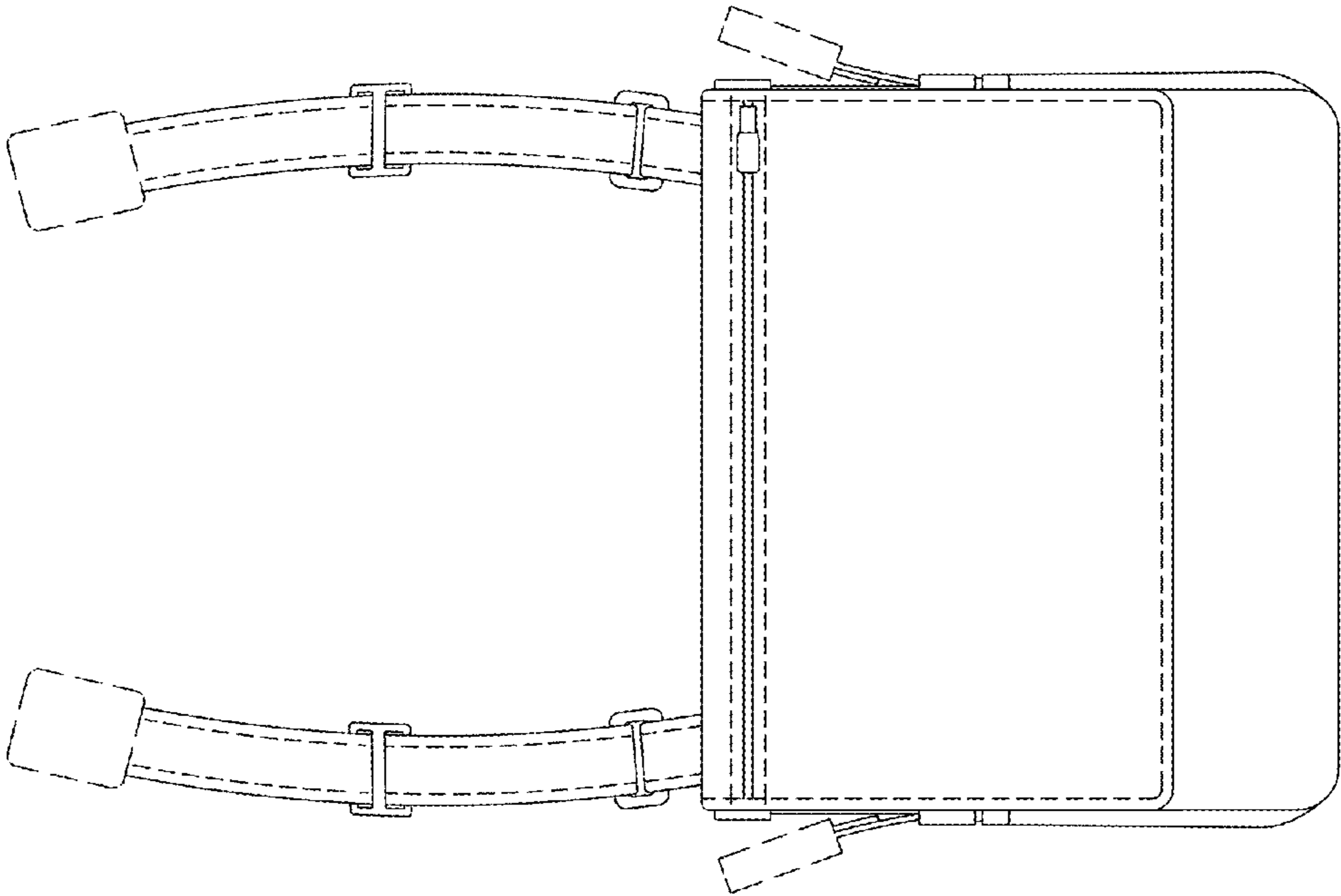


Fig-3

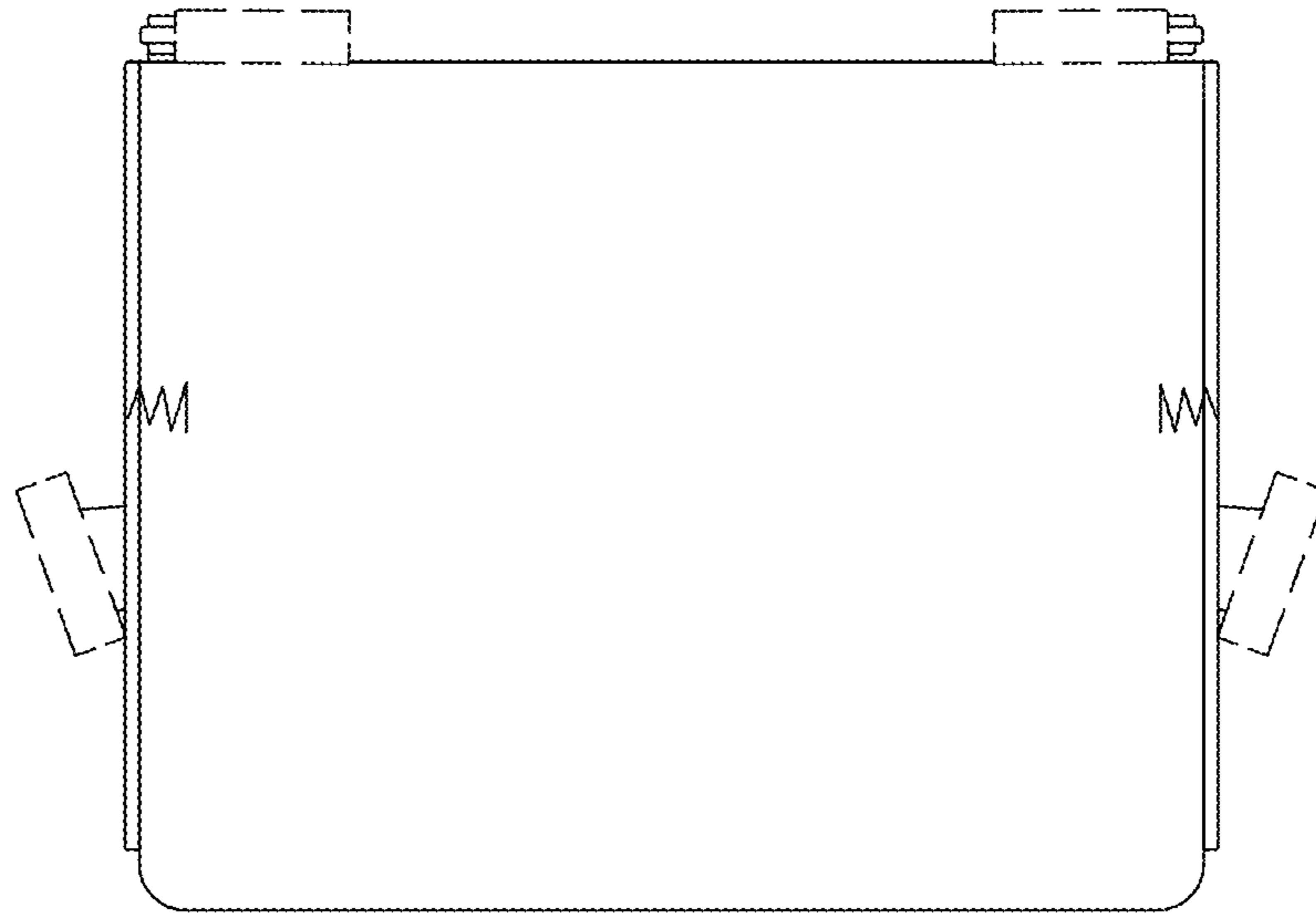


Fig-5

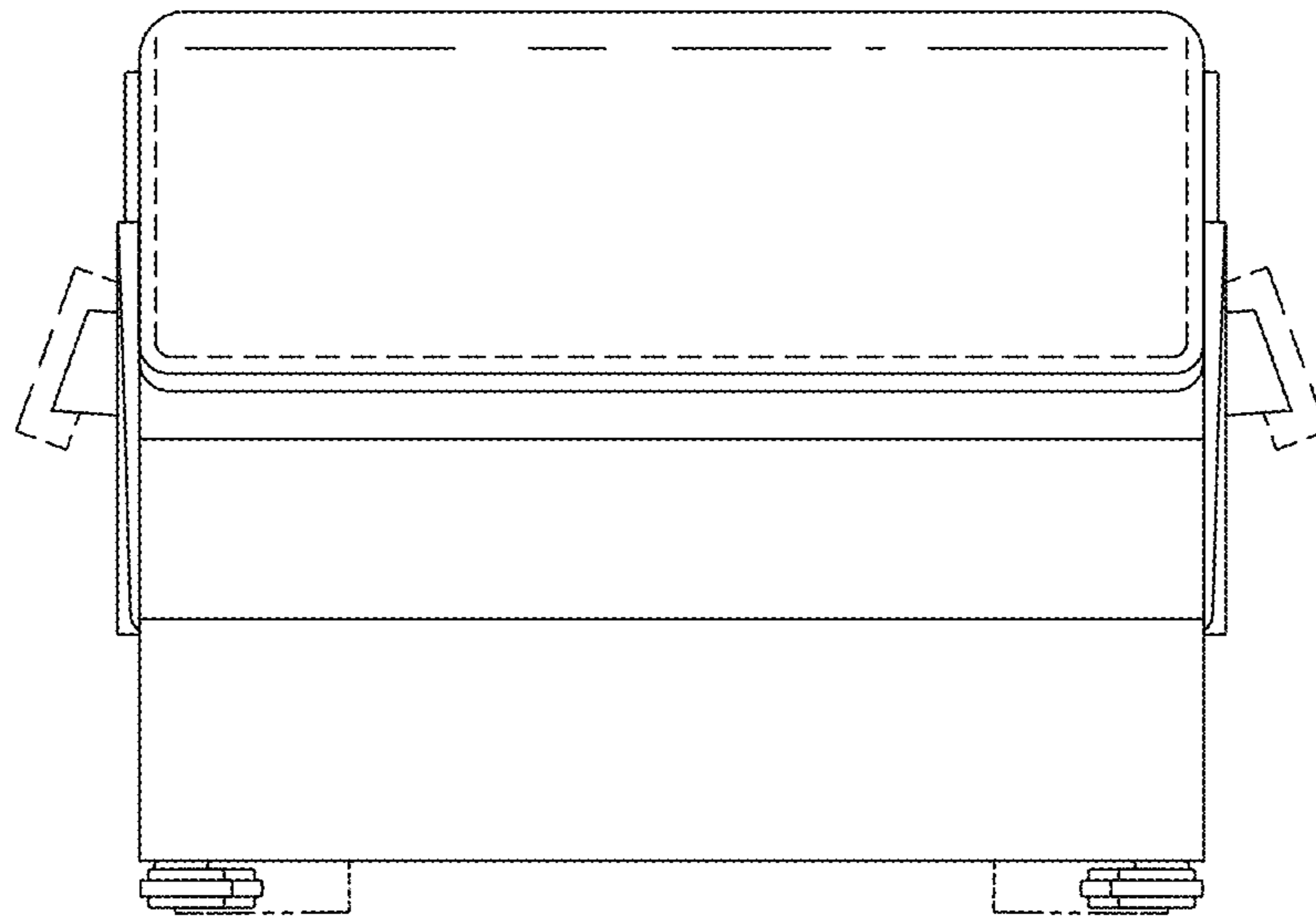


Fig-6

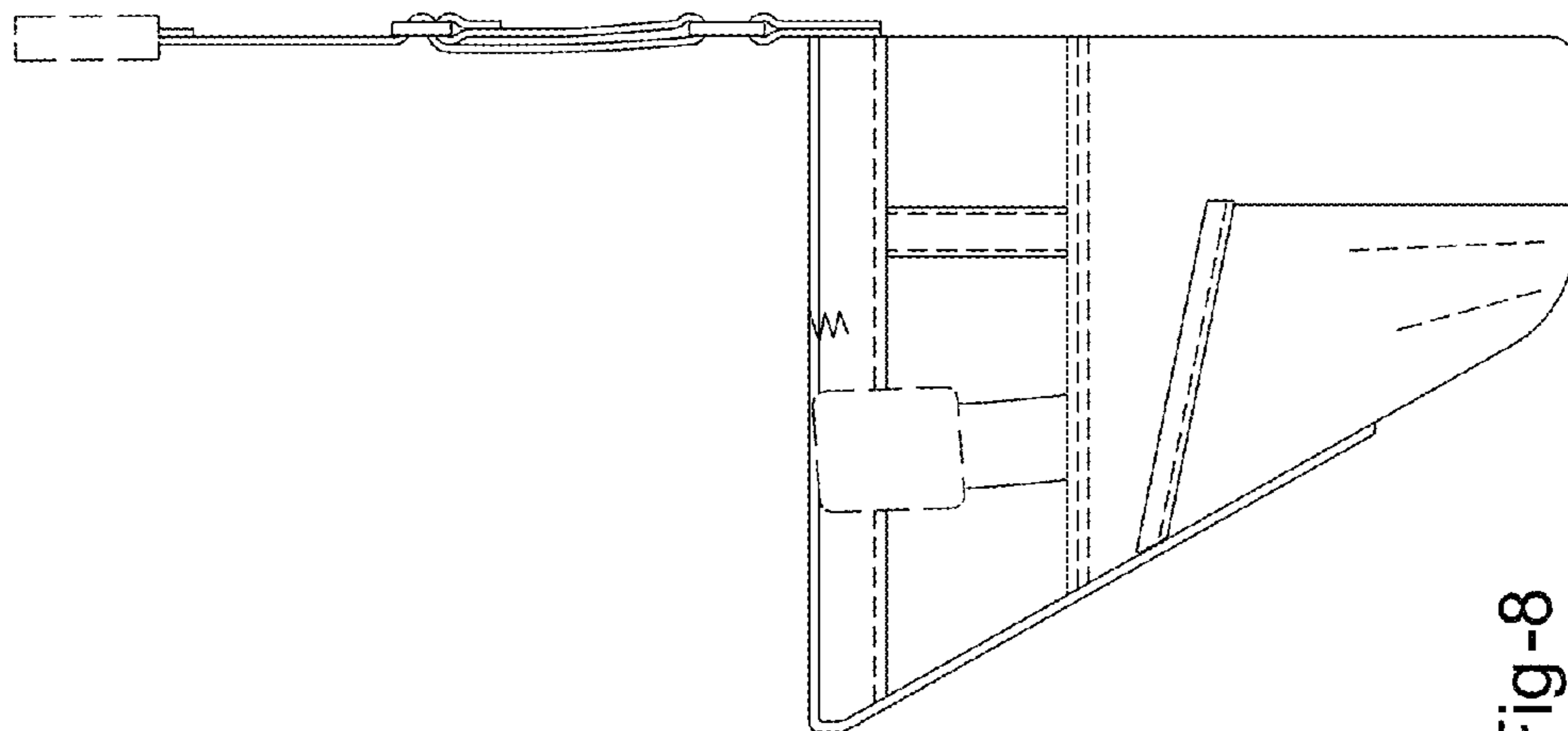


Fig-8

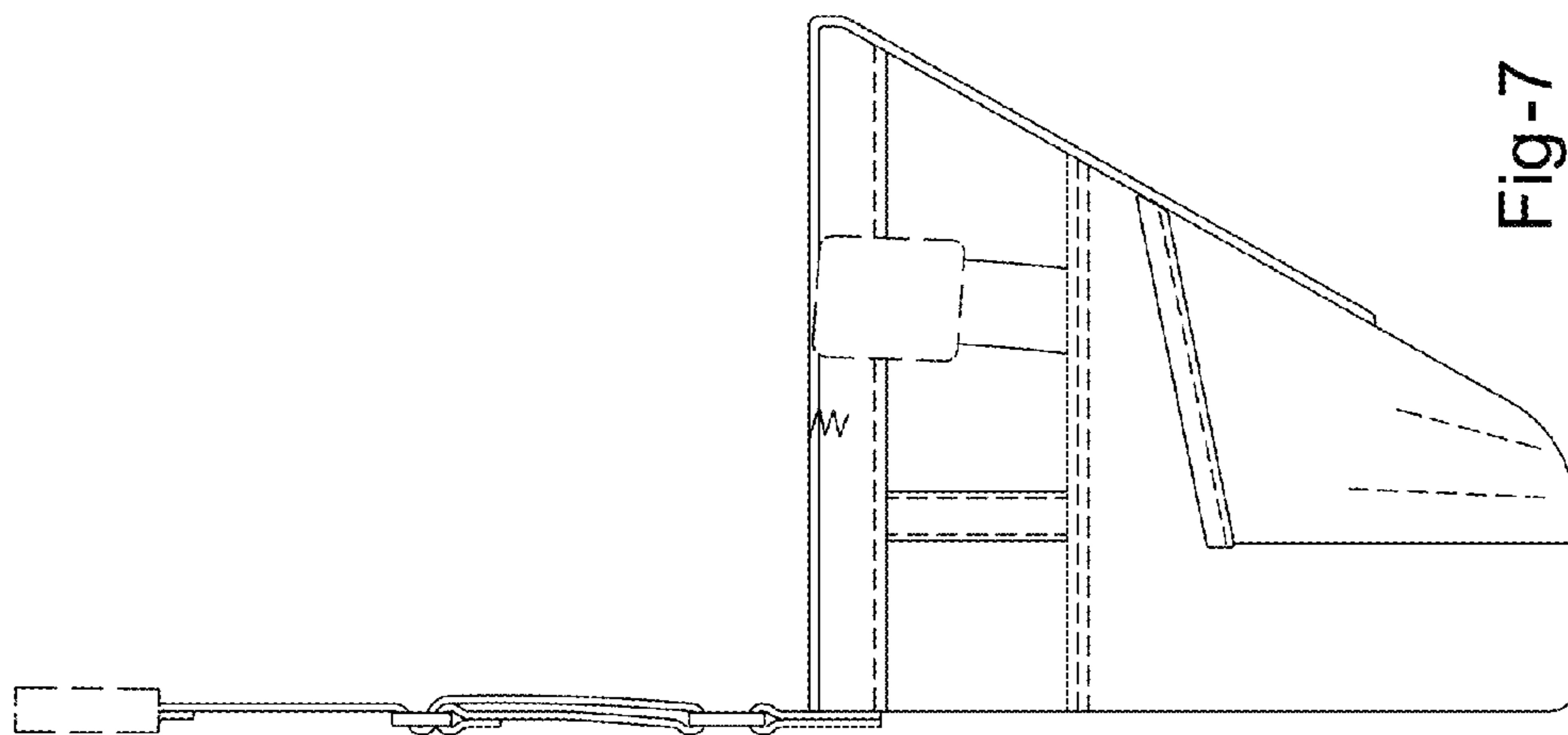


Fig-7