



US00D685575S

(12) **United States Design Patent**
Cullen et al.

(10) **Patent No.:** **US D685,575 S**
(45) **Date of Patent:** **** Jul. 9, 2013**

(54) **REUSABLE FOLDABLE CONTAINER FOR SHIPPING MERCHANDISE**

(71) Applicant: **Rodair Holdings Ltd.**, Mississauga (CA)

(72) Inventors: **Jeffrey J. Cullen**, Toronto (CA); **E. Leigh Goodwin**, Mississauga (CA)

(73) Assignee: **Rodair Holdings Ltd.**, Mississauga, ON (CA)

(**) Term: **14 Years**

(21) Appl. No.: **29/434,809**

(22) Filed: **Oct. 17, 2012**

(51) **LOC (9) Cl.** **03-01**

(52) **U.S. Cl.**
USPC **D3/289; D3/272**

(58) **Field of Classification Search**
USPC D3/273, 276, 280, 283–293, 301, D3/300, 294; 190/100–127, 900–903; 150/106, 150/107, 108, 110, 111, 112, 118; 206/320; 383/12, 16, 38–40, 104, 907; 220/6, 9.1–9.4
See application file for complete search history.

(56) **References Cited**

U.S. PATENT DOCUMENTS

2,485,028	A	10/1949	Bauernfreund et al.	
3,319,684	A	5/1967	Calhoun	
4,793,507	A	12/1988	Delplanque	
D311,452	S *	10/1990	Ehret	D3/286
5,562,228	A	10/1996	Ericson	
5,620,069	A *	4/1997	Hurwitz	190/107
5,794,747	A *	8/1998	Bryant	190/18 R
6,102,569	A	8/2000	Wang	
7,011,224	B2	3/2006	Sheng-Bin	
D575,059	S *	8/2008	Cappiello et al.	D3/283
D582,676	S *	12/2008	Rothschild	D3/302
D602,253	S *	10/2009	Rees et al.	D3/289
7,597,208	B2	10/2009	Wang	
7,815,024	B1 *	10/2010	Quimpo et al.	190/107
D646,059	S *	10/2011	Park	D3/289

2008/0283350	A1 *	11/2008	Vorderkunz	190/115
2011/0127132	A1 *	6/2011	Fair et al.	190/110
2011/0168598	A1 *	7/2011	Rees et al.	206/505
2011/0220444	A1 *	9/2011	Perez	190/103
2012/0267365	A1 *	10/2012	Sabounjian	220/6
2013/0112686	A1 *	5/2013	Kwon	220/9.4

OTHER PUBLICATIONS

Webpage downloaded from Eco Guardian website entitled “Basket Bag” [online]. Accessed on Aug. 23, 2012. Retrieved from the Internet: <URL <http://www.ecoguardian.com/products/basket-bag>>. Product Sheet downloaded from Eco Guardian website entitled “Basket Bag” [online]. Accessed on Aug. 23, 2012. Retrieved from the Internet: <URL <http://www.ecoguardian.com/products/basket-bag>>. Webpage downloaded from Eco Guardian website entitled “Multi-Purpose Bags” [online]. Accessed on Aug. 23, 2012. Retrieved from the Internet: <URL <http://www.ecoguardian.com/multi-purpose-bags>>.

* cited by examiner

Primary Examiner — Jennifer Rivard

(74) *Attorney, Agent, or Firm* — Bereskin & Parr LLP/S.E.N.C.R.L., s.r.l.

(57) **CLAIM**

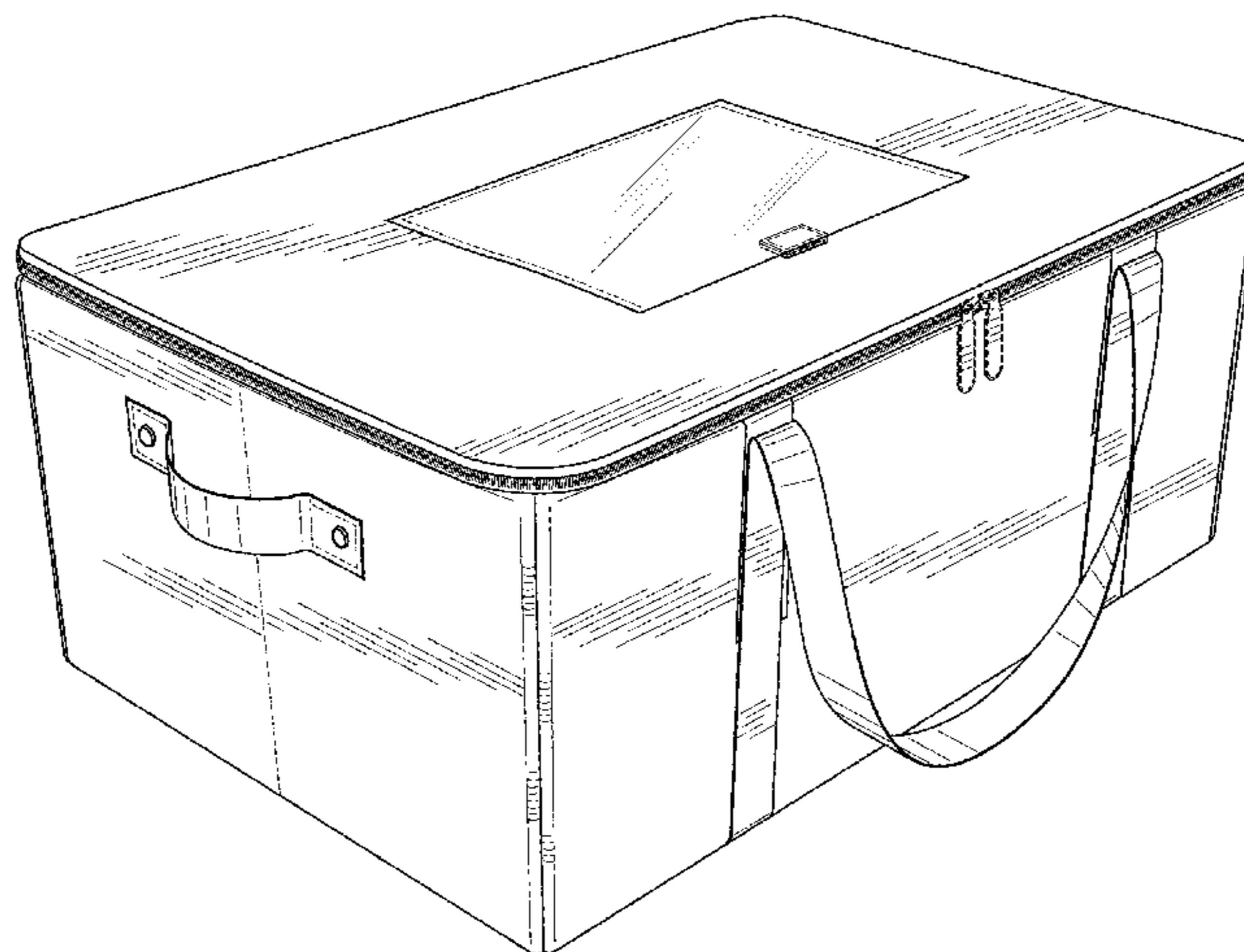
The ornamental design for a reusable foldable container for shipping merchandise, as shown and described.

DESCRIPTION

FIG. 1 is a top perspective view of the subject design; FIG. 2 is a bottom perspective view thereof; FIG. 3 is a left side view thereof; FIG. 4 is a front elevational view thereof; FIG. 5 is a right side view thereof; FIG. 6 is a back elevational view thereof; FIG. 7 is a top plan view thereof; FIG. 8 is a bottom plan view; and, FIG. 9 is a perspective view showing the subject design in a folded position.

The broken lines shown in the drawings illustrate stitching and form part of the claimed design.

1 Claim, 7 Drawing Sheets



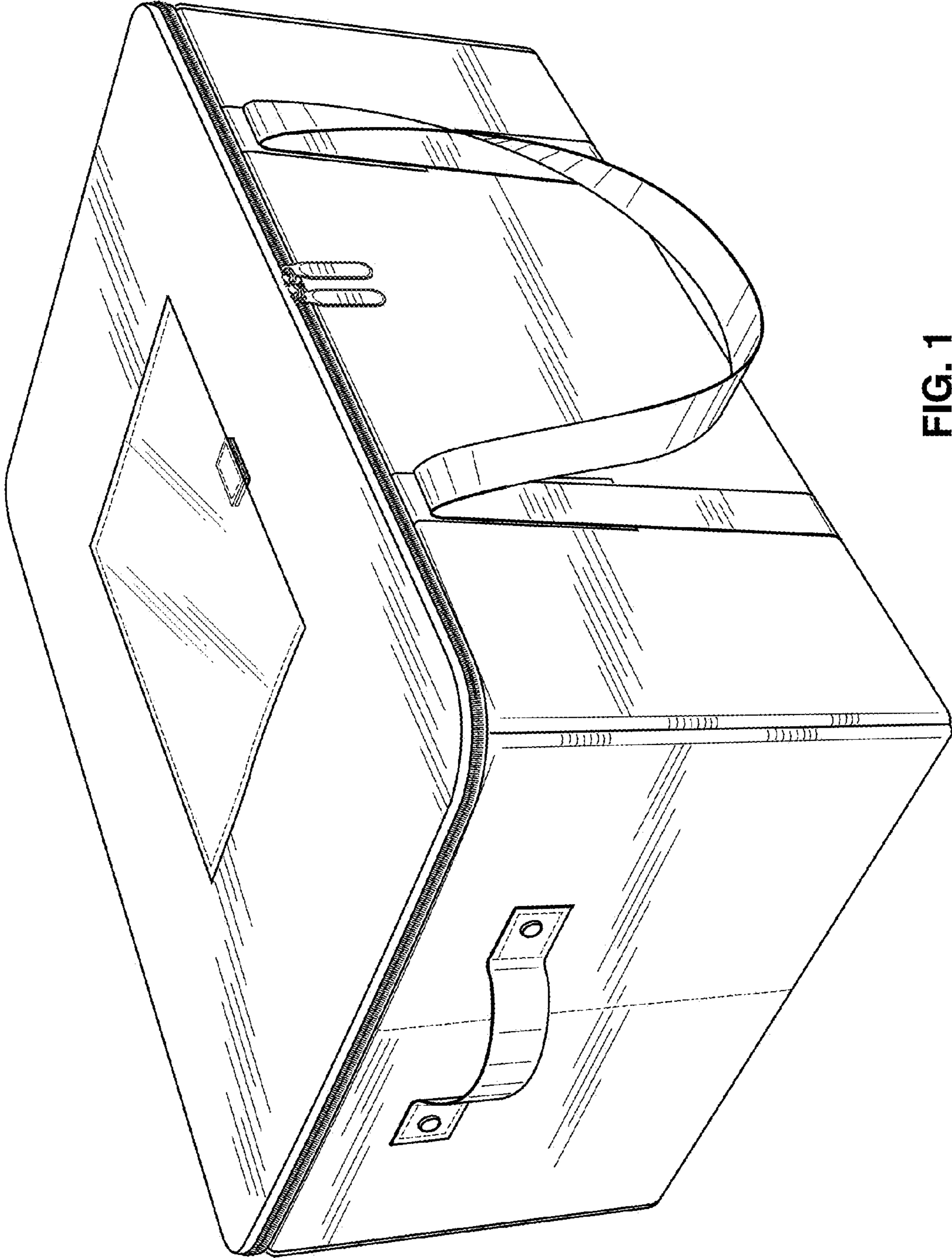


FIG. 1

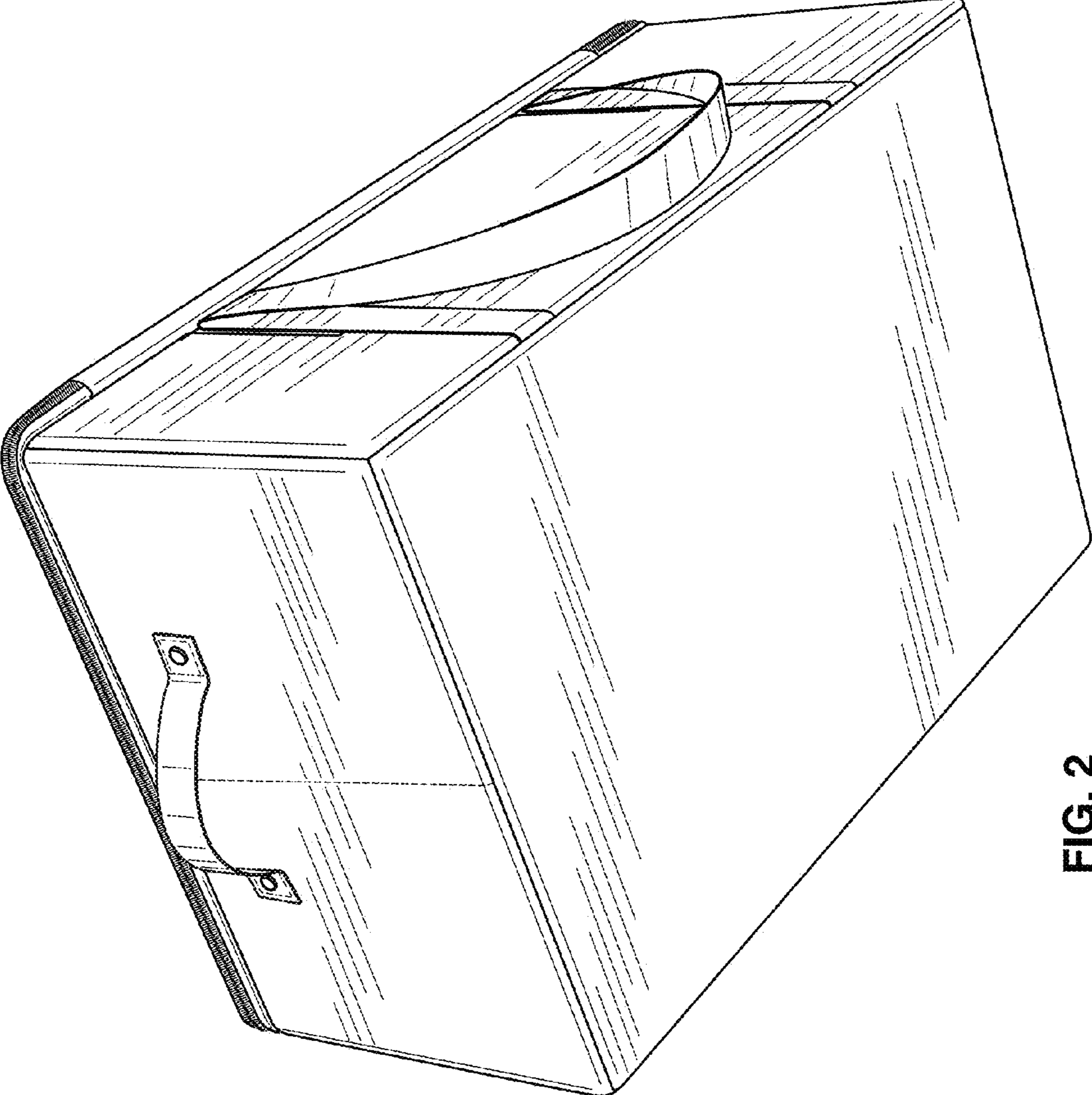


FIG. 2

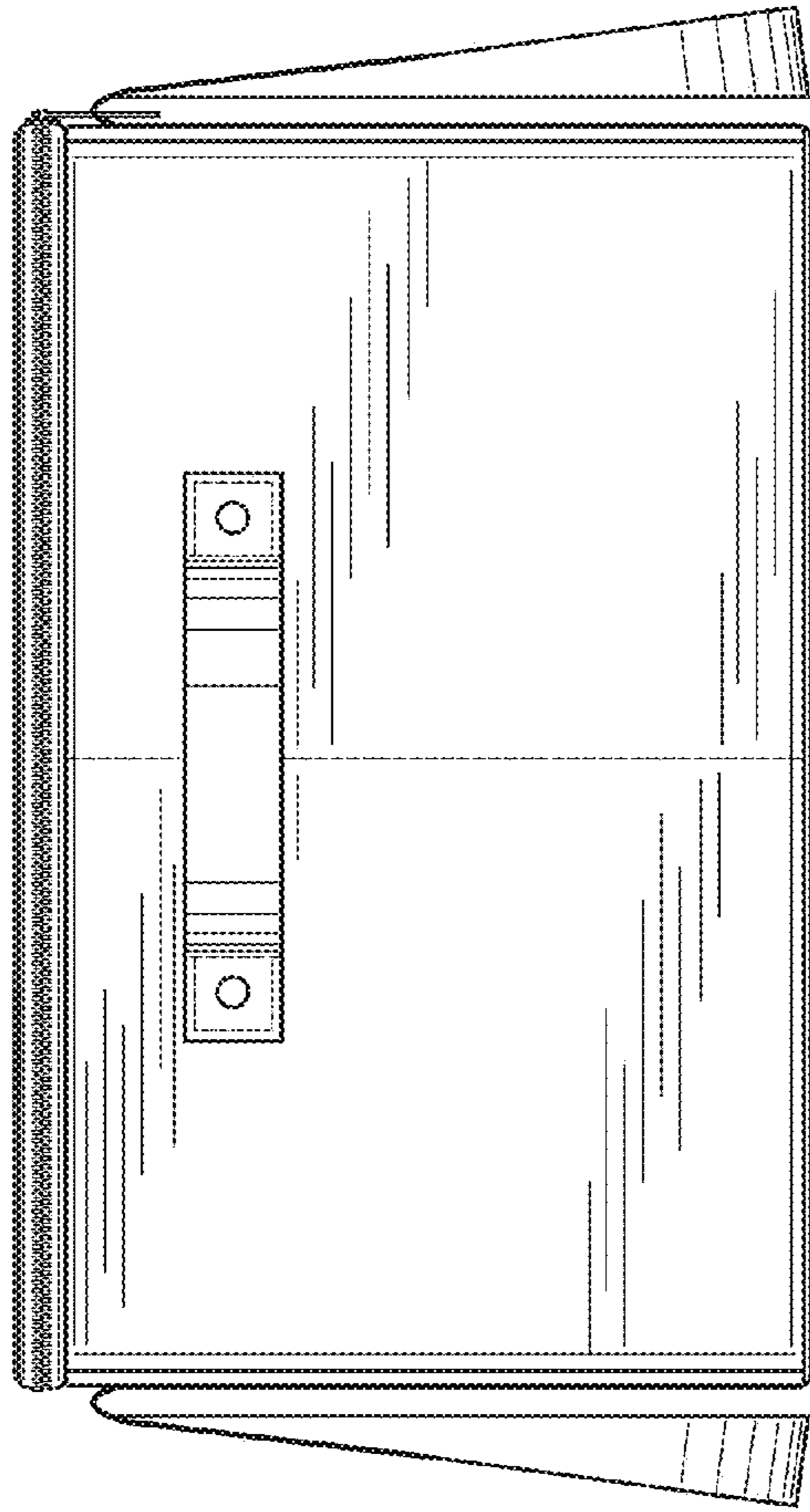


FIG. 3

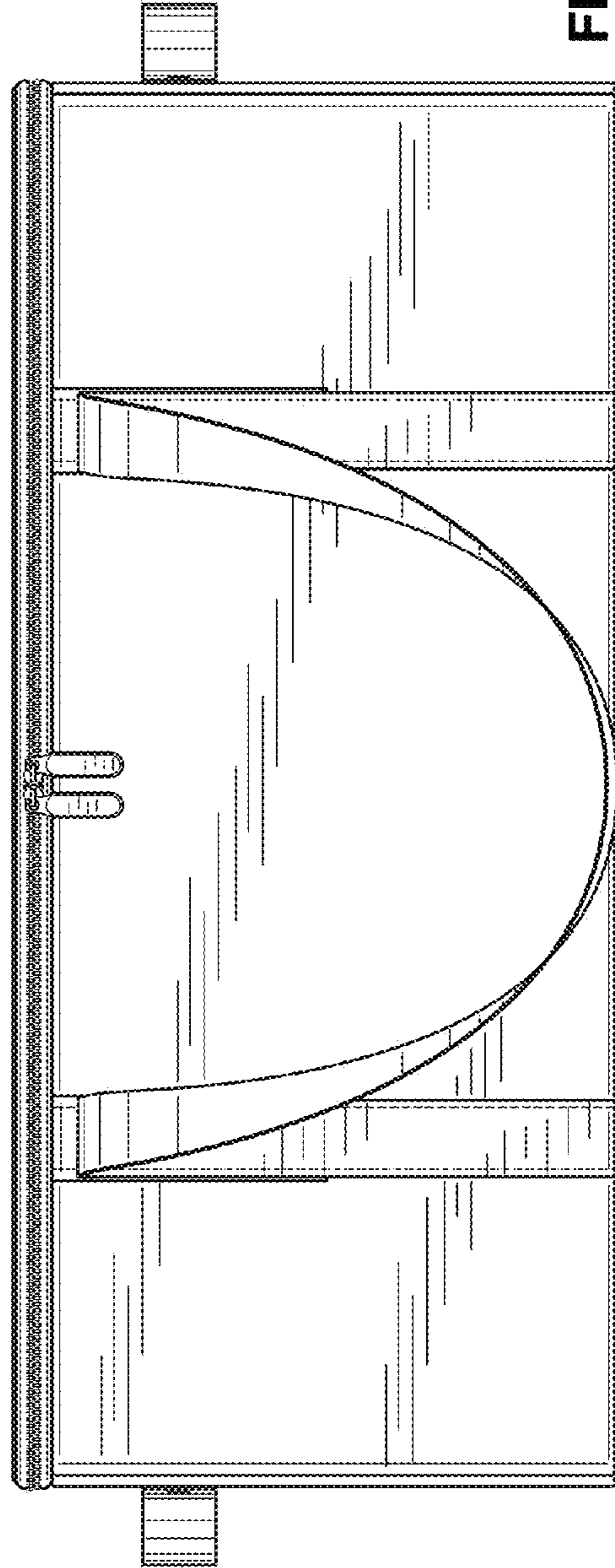


FIG. 4

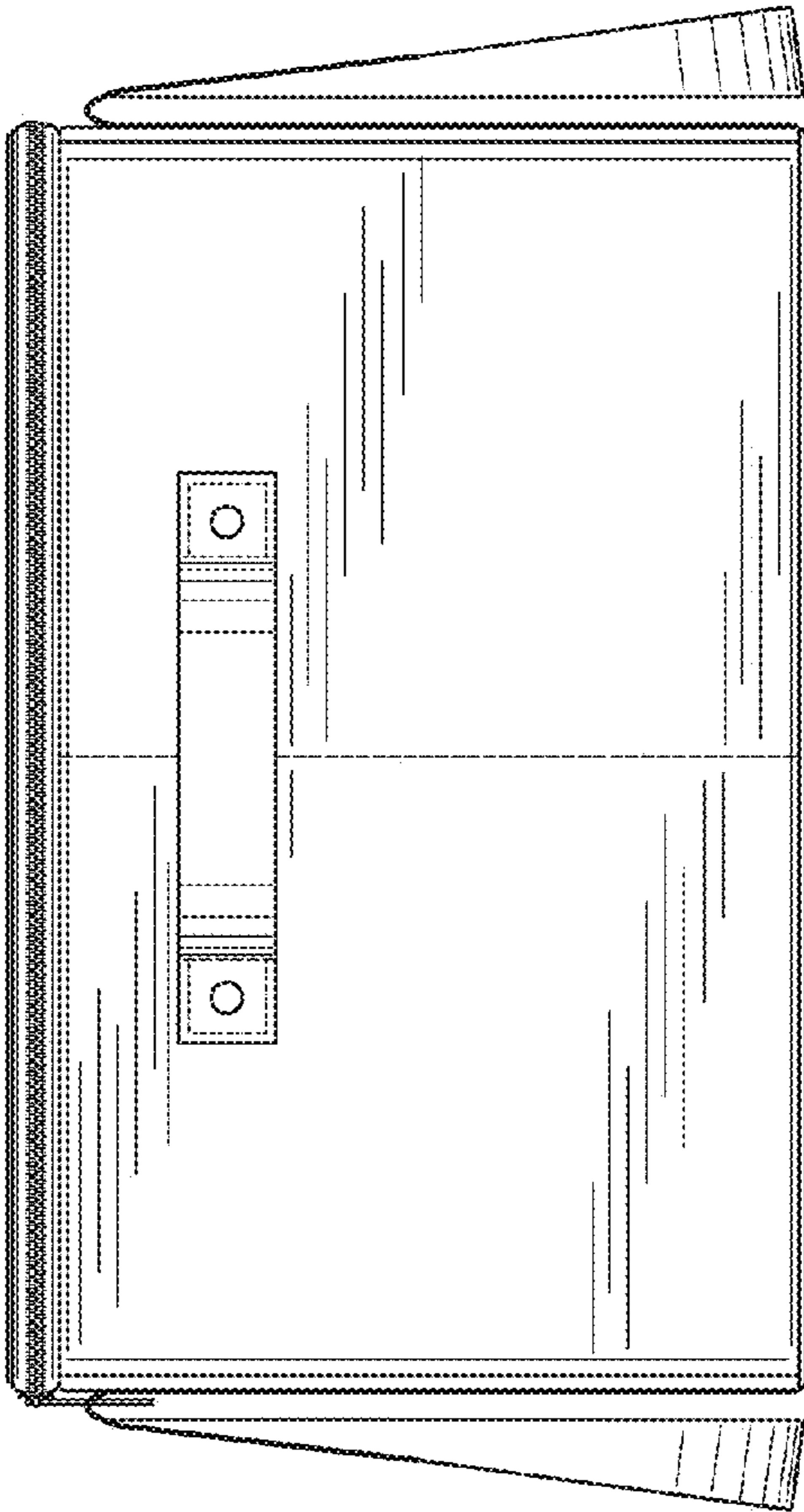


FIG. 5

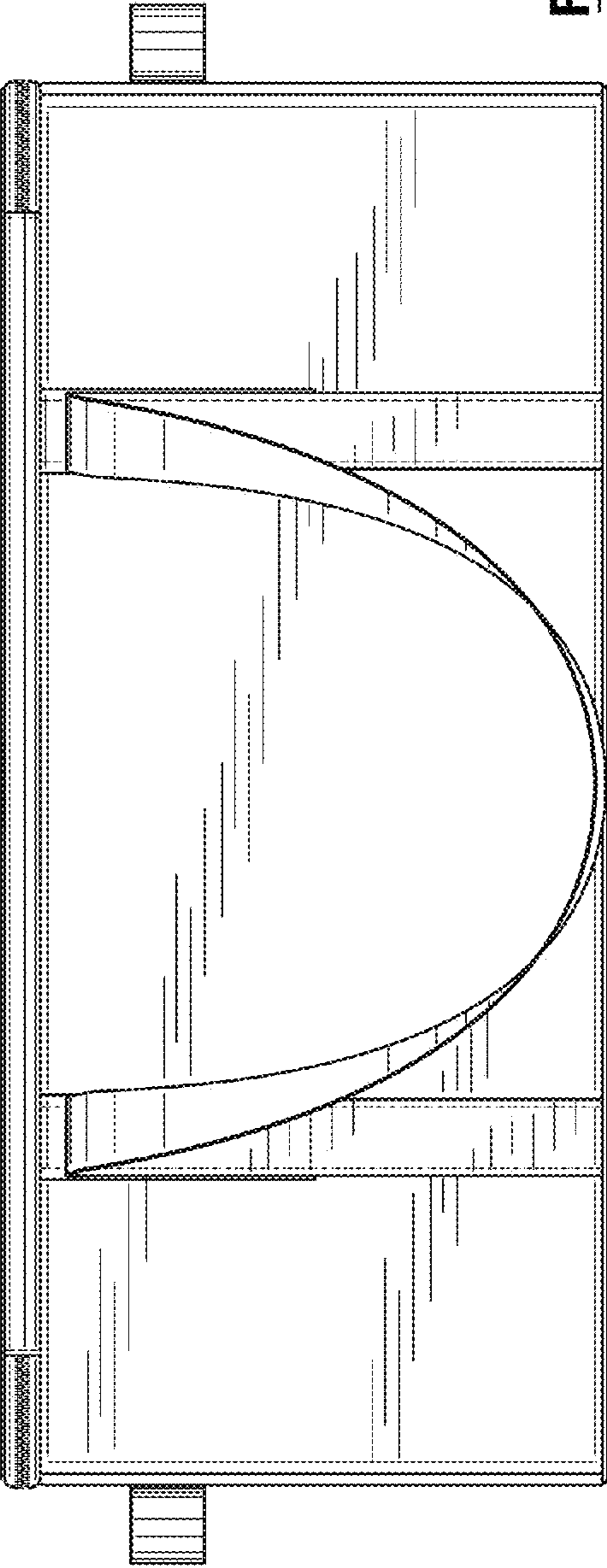


FIG. 6

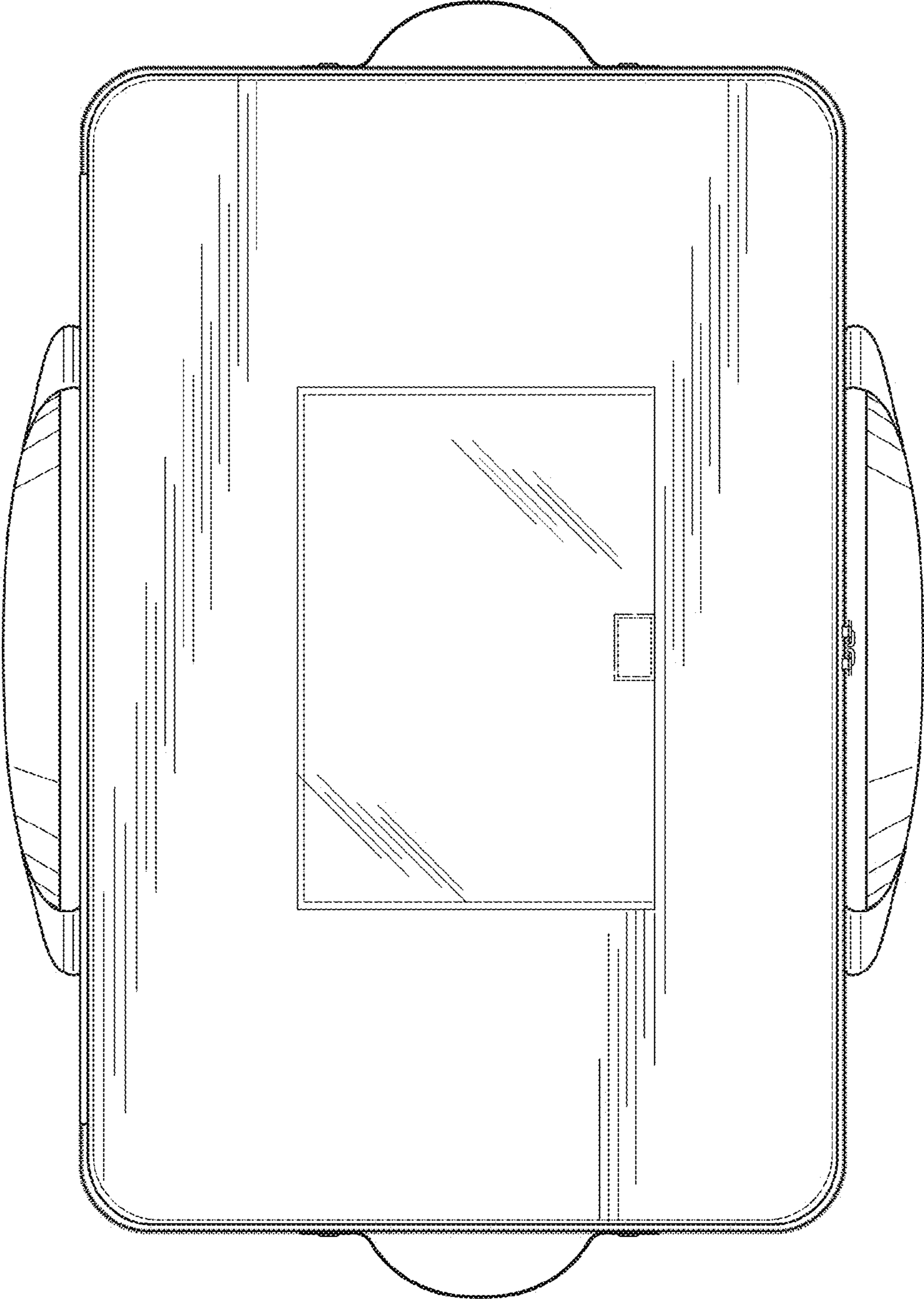


FIG. 7

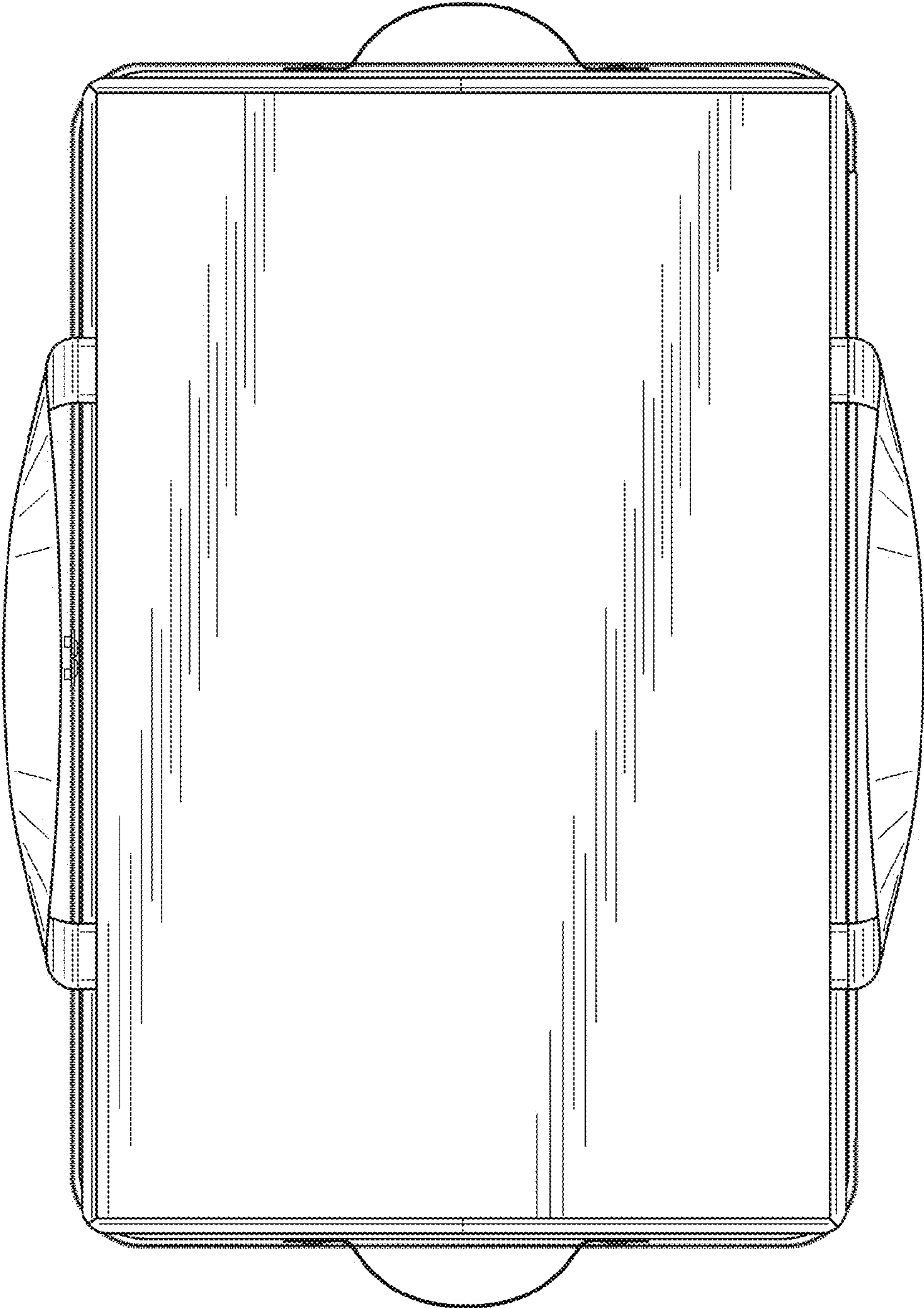


FIG. 8

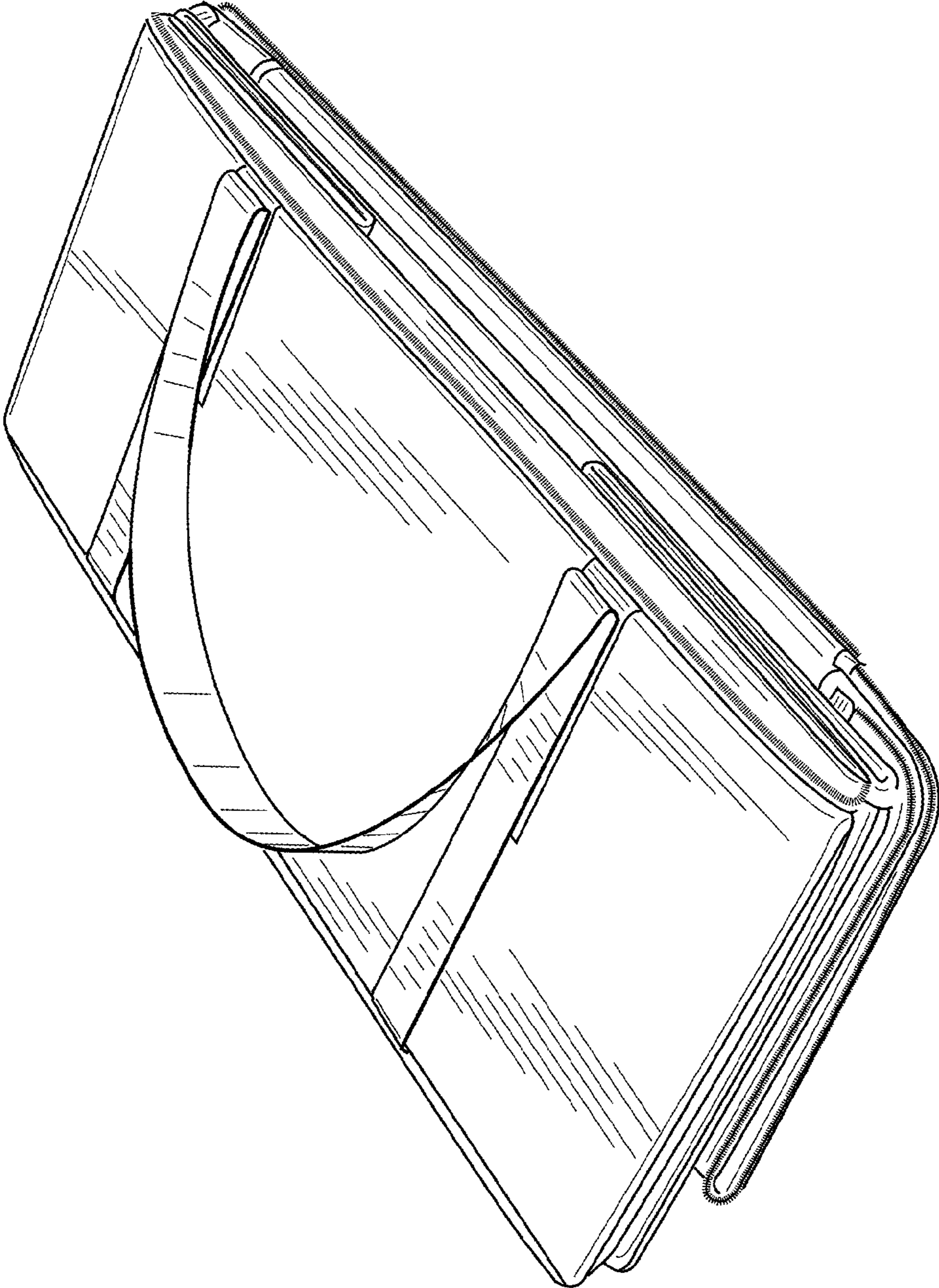


FIG. 9