



US00D685574S

(12) **United States Design Patent**
Swingler

(10) **Patent No.:** **US D685,574 S**

(45) **Date of Patent:** **** *Jul. 9, 2013**

(54) **CELL PHONE PURSE**

(76) Inventor: **Carleen Swingler**, Woodbridge, NJ (US)

(*) Notice: This patent is subject to a terminal disclaimer.

(**) Term: **14 Years**

(21) Appl. No.: **29/388,275**

(22) Filed: **Jun. 9, 2011**

(51) **LOC (9) Cl.** **03-01**

(52) **U.S. Cl.**
USPC **D3/245**

(58) **Field of Classification Search**
USPC D3/232-233, 240-243, 245; 150/100,
150/103-110, 113-114, 117-119
See application file for complete search history.

(56) **References Cited**

U.S. PATENT DOCUMENTS

D336,987 S * 7/1993 Imbert D3/243
D483,563 S * 12/2003 Dwight et al. D3/243

* cited by examiner

Primary Examiner — Holly Baynham

(74) *Attorney, Agent, or Firm* — D L Bentley Law Group PLLC

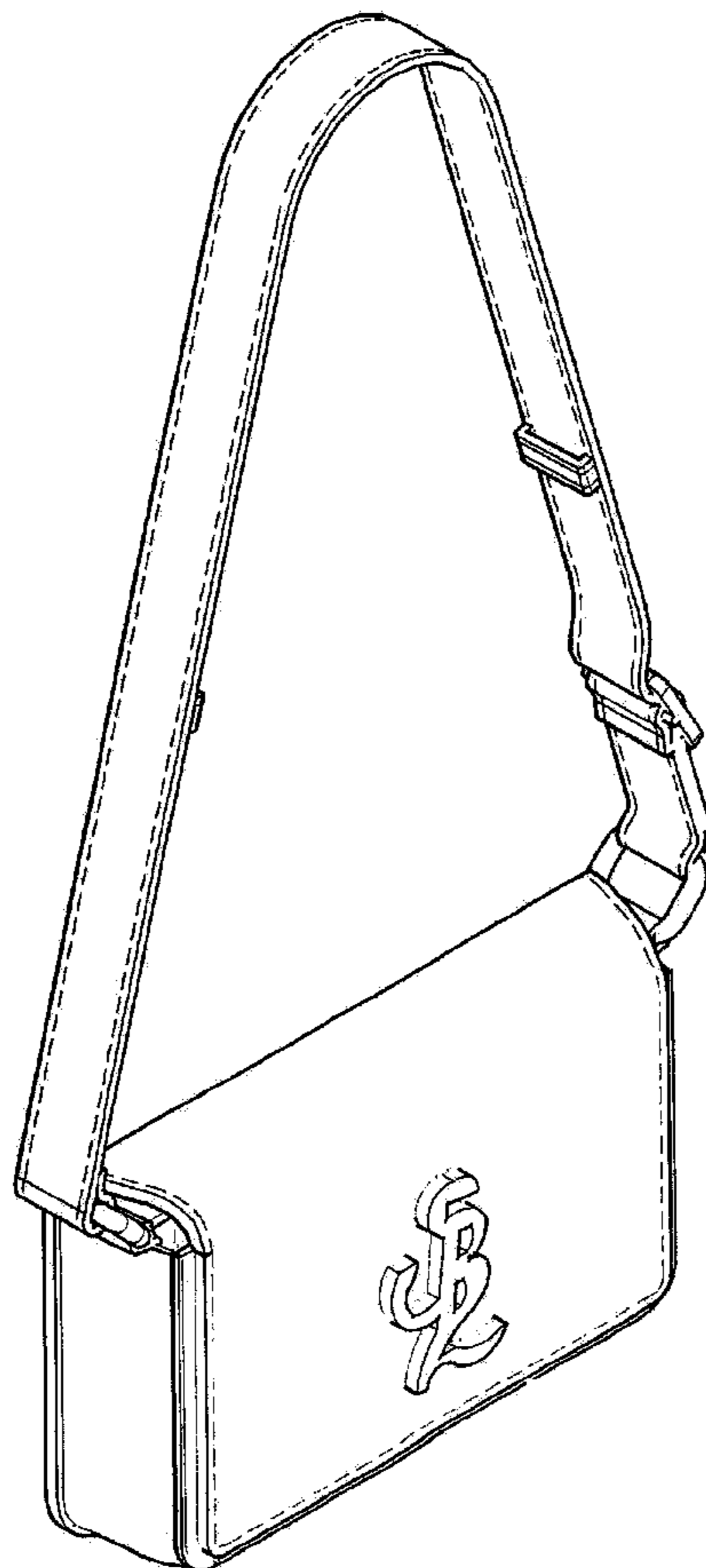
(57) **CLAIM**

The ornamental design for the cell phone purse, as shown and described.

DESCRIPTION

FIG. 1 is a front side diagonal perspective of a cell phone purse that includes the letters SBZ on top of each other;
FIG. 2 is a back side diagonal perspective view of the cell phone purse of FIG. 1;
FIG. 3 is a back side perspective view of the cell phone purse of FIG. 1;
FIG. 4 is a bottom side perspective view of the cell phone purse of FIG. 1;
FIG. 5 is a full frontal perspective view of the cell phone purse of FIG. 1;
FIG. 6 is a left side view of the cell phone purse of FIG. 1;
FIG. 7 is a right side view of the cell phone purse of FIG. 1;
and,
FIG. 8 is a top side view of the cell phone purse of FIG. 1.
The broken lines representing stitching are part of the claimed design.

1 Claim, 8 Drawing Sheets



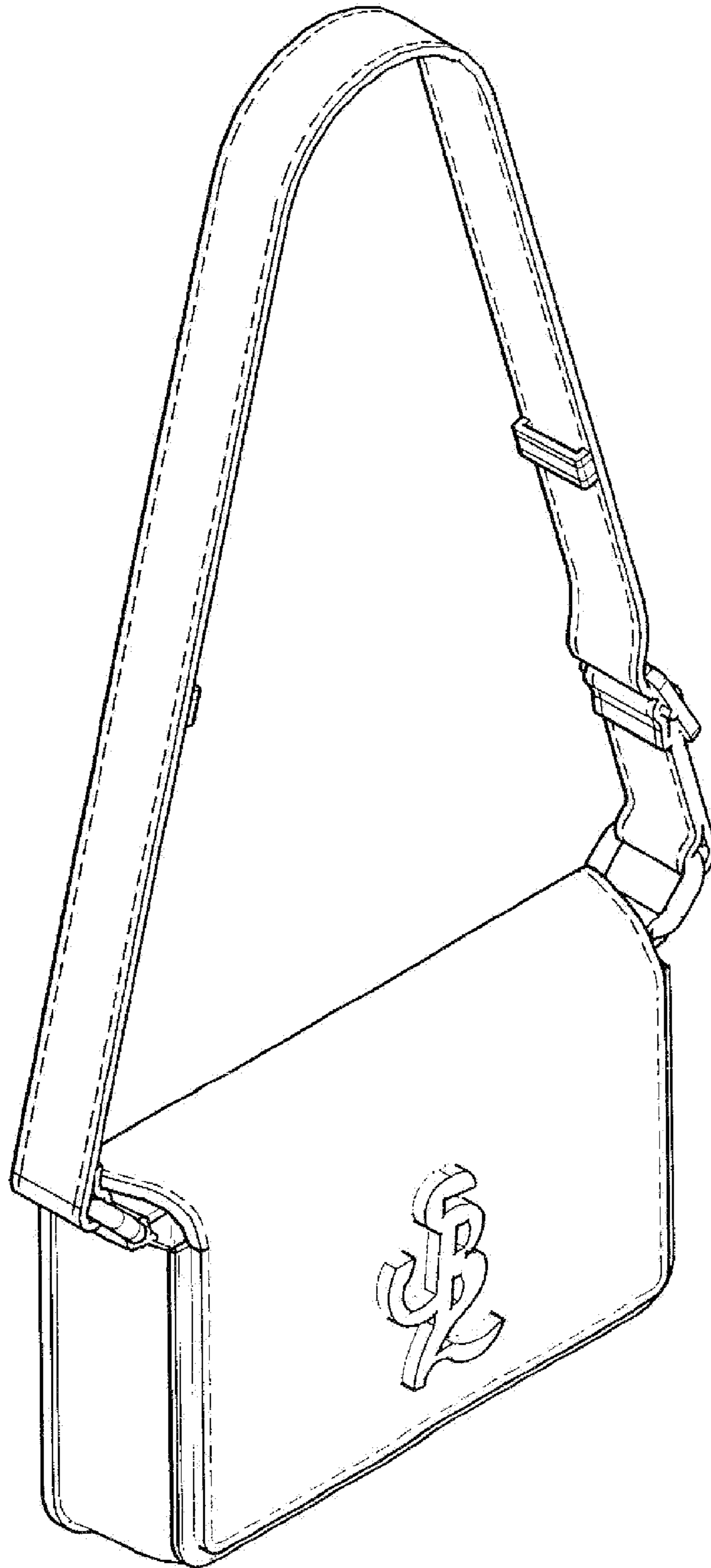


FIG. 1

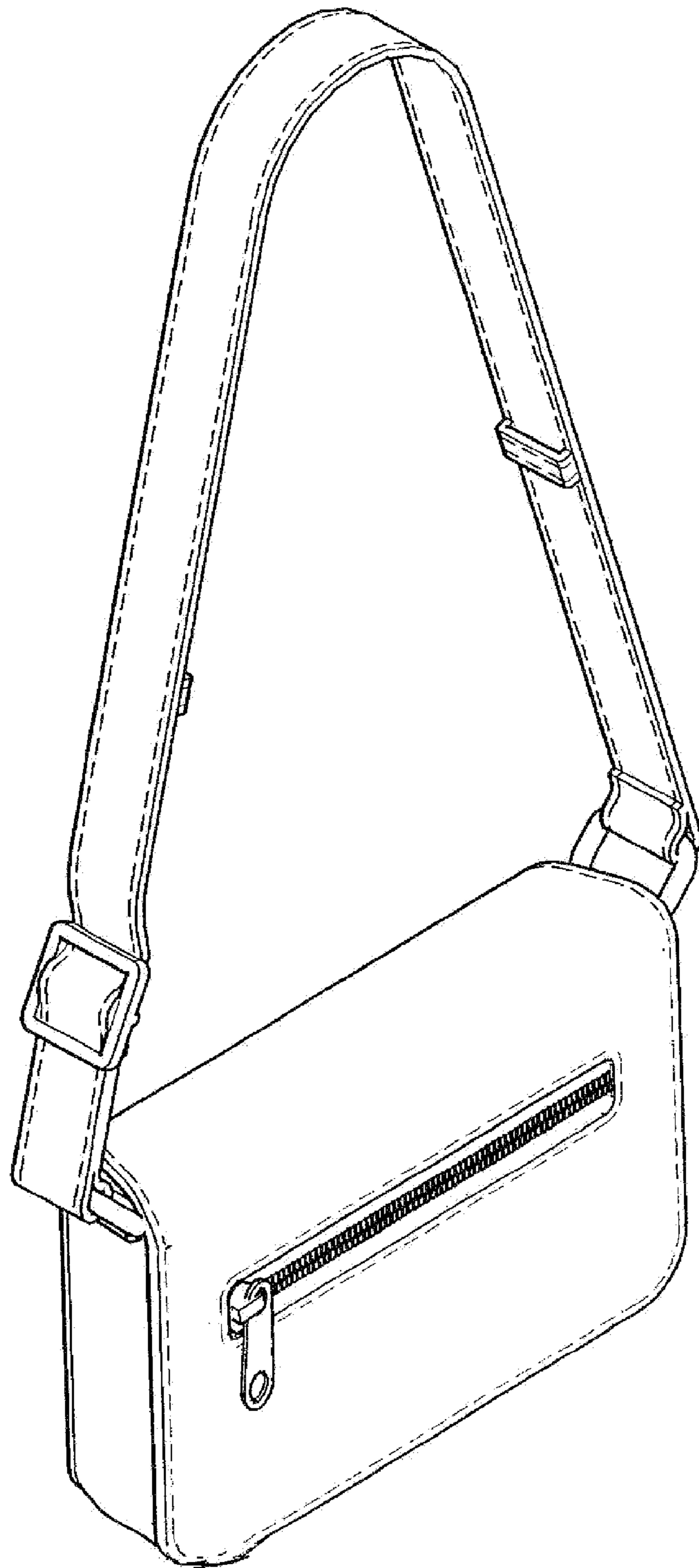


FIG. 2

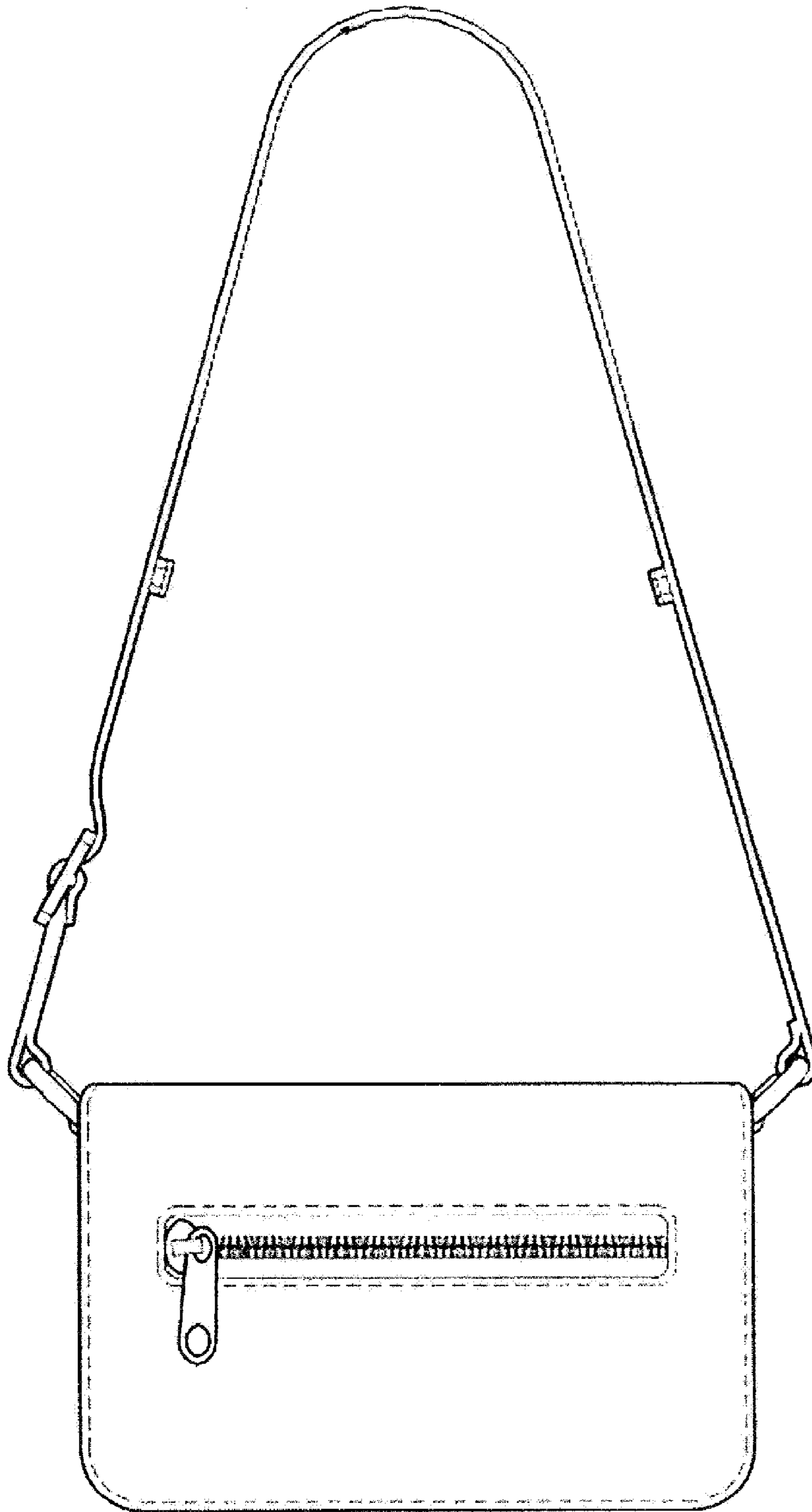


FIG 3

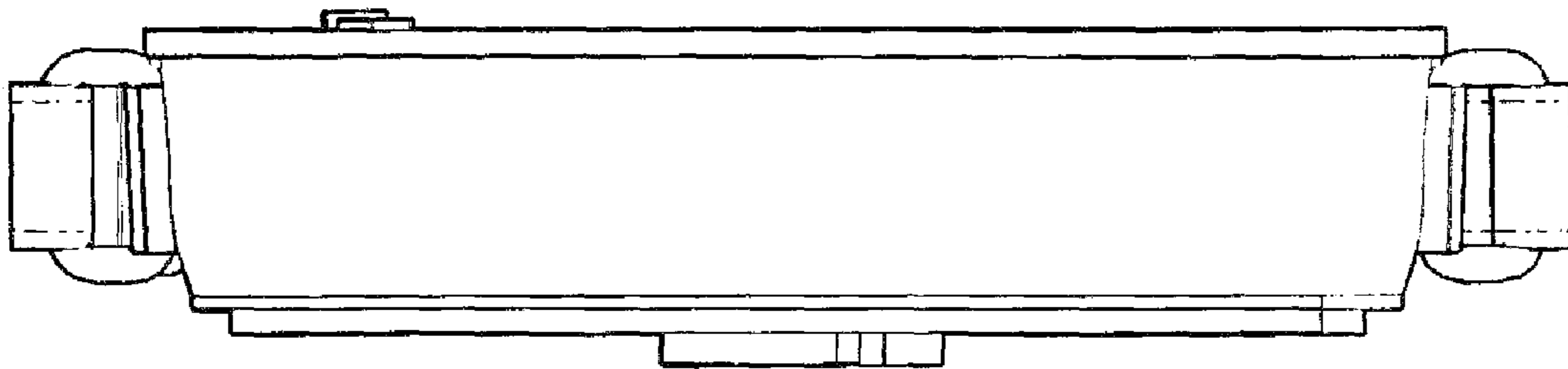


FIG 4

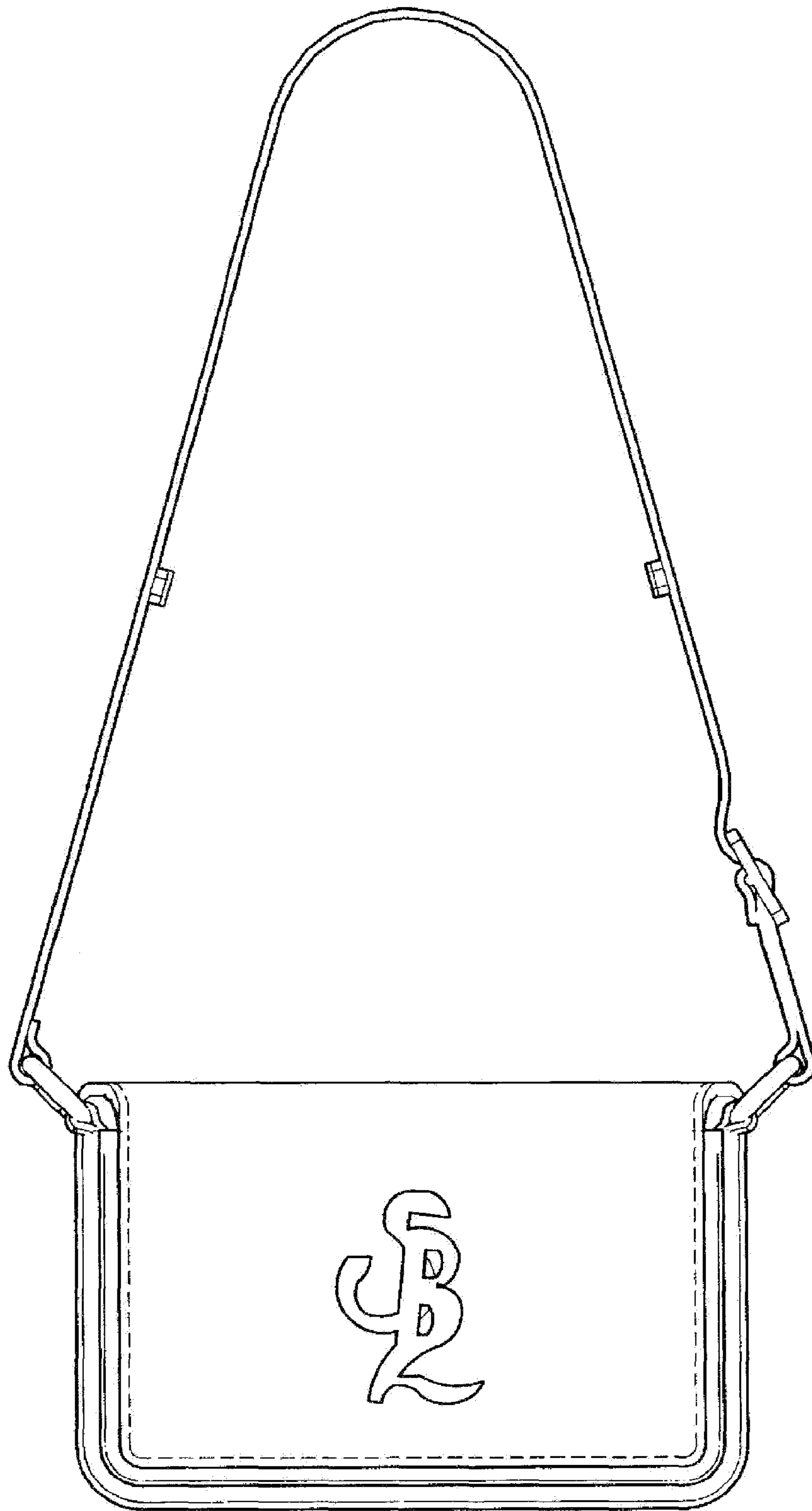


FIG 5

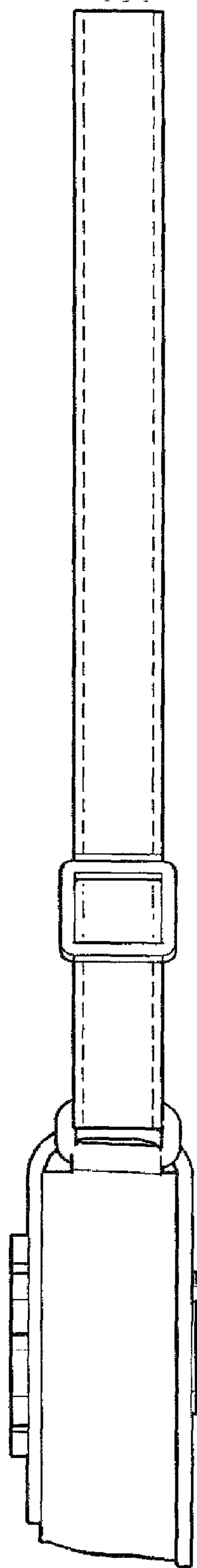


FIG 6

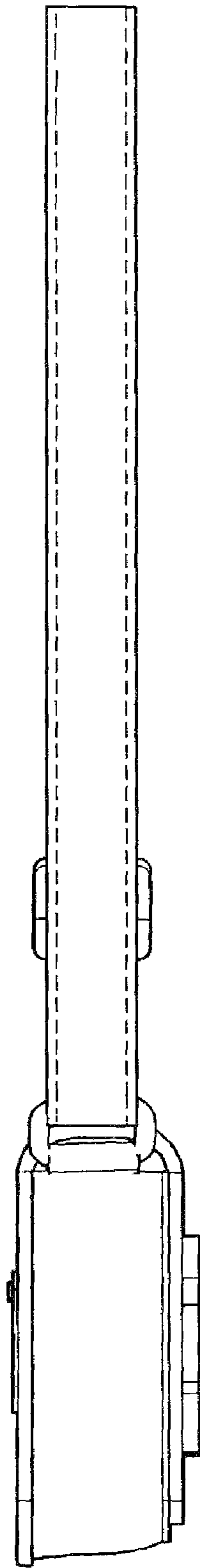


FIG 7

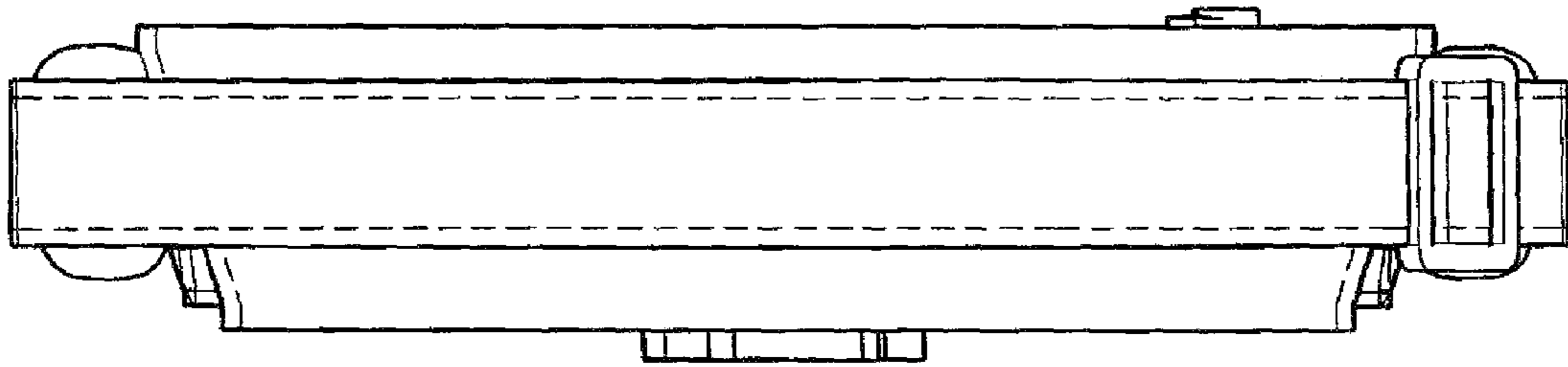


FIG. 8