



US00D685571S

(12) **United States Design Patent**
Chang

(10) **Patent No.:** **US D685,571 S**
(45) **Date of Patent:** **** Jul. 9, 2013**

(54) **CASE FOR MOBILE PHONE**
(71) Applicant: **Korea Information & Communications Co., Ltd.**, Seoul (KR)
(72) Inventor: **Paul T Chang**, Washington, PA (US)
(73) Assignees: **Paul T. Chang**, Washington, PA (US);
Korea Information & Communications Co., Ltd., Seoul (KR)

(**) Term: **14 Years**

(21) Appl. No.: **29/441,367**

(22) Filed: **Jan. 4, 2013**

(51) **LOC (9) Cl.** **03-01**

(52) **U.S. Cl.**
USPC **D3/218**

(58) **Field of Classification Search**
USPC D3/218, 215, 201, 219, 224, 226,
D3/228, 205, 269, 303; 224/240–241, 245,
224/578, 674, 676–681, 901, 904; 206/305,
206/320; 455/575.1–575.9; D14/138, 248,
D14/250–251, 253; 379/455
See application file for complete search history.

(56) **References Cited**

U.S. PATENT DOCUMENTS

D515,807 S * 2/2006 Faillace D3/218
D561,463 S * 2/2008 Malhotra D3/218
D565,836 S * 4/2008 Wang D3/201

D611,702 S * 3/2010 Fahrendorff et al. D3/218
D635,354 S * 4/2011 Uchida D3/218
D674,592 S * 1/2013 Basmaji D3/218

OTHER PUBLICATIONS

Notice of Decision of Grant of Patent Right for Design for Korean Patent Application No. 201230537857.9 issued Jan. 18, 2013.
Notice of Completion of Formalities for Patent Register for Korean Patent Application No. 20120537857.9 issued Jan. 18, 2013.

* cited by examiner

Primary Examiner — Catheri Oliver-Garcia
(74) *Attorney, Agent, or Firm* — RatnerPrestia

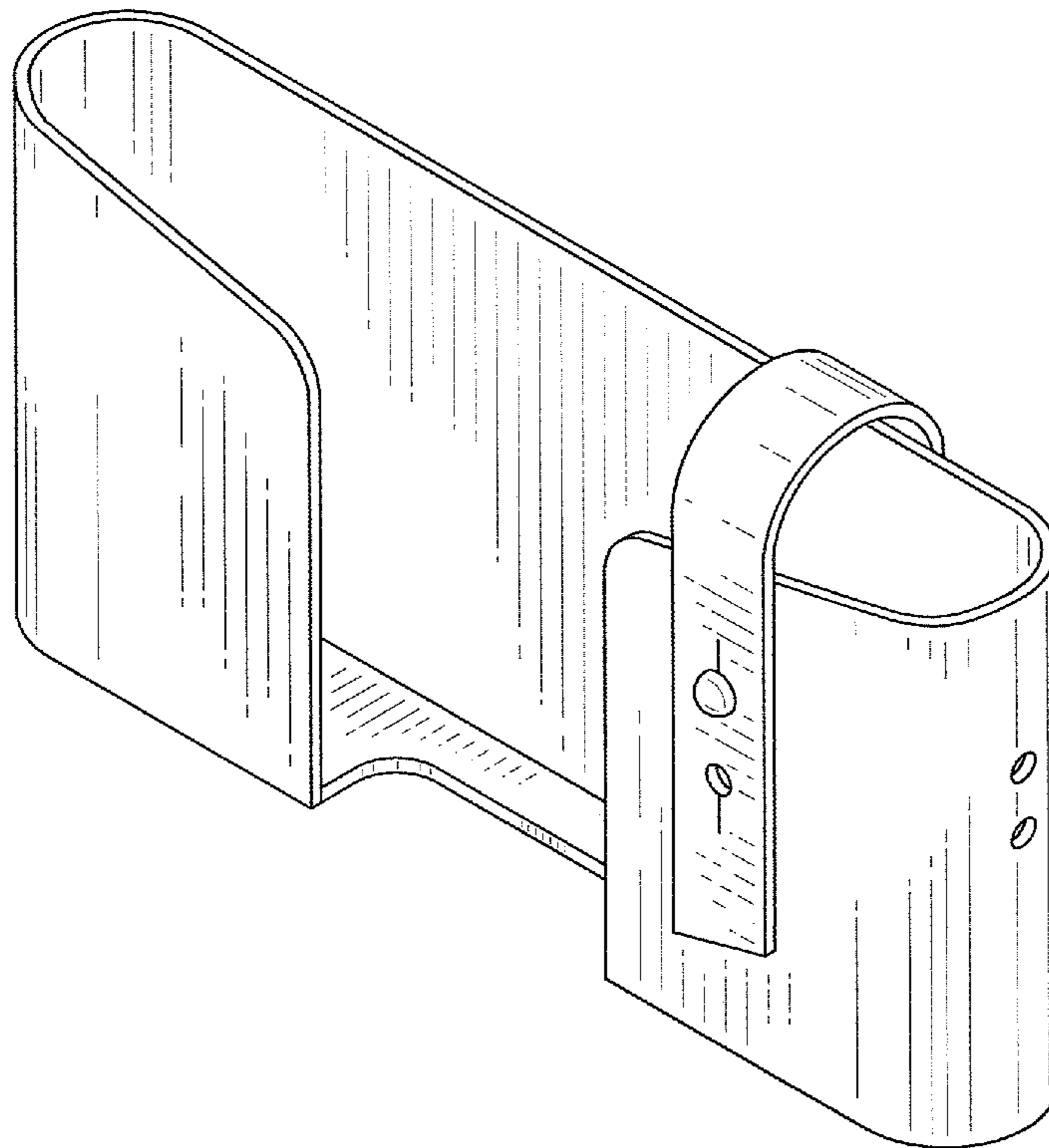
(57) **CLAIM**

The ornamental design for a case for mobile phone, as shown and described.

DESCRIPTION

FIG. 1 is a top right side perspective view of a case for a mobile phone according to the present invention with the hold down strap in a closed position;
FIG. 2 is a front view of the mobile phone case of FIG. 1;
FIG. 3 is a rear view of the mobile phone case of FIG. 1;
FIG. 4 is a left side view of the mobile phone case of FIG. 1;
FIG. 5 is a right side view of the mobile phone case of FIG. 1;
FIG. 6 is a top plan view of the mobile phone case of FIG. 1;
FIG. 7 is a bottom plan view of the mobile phone case of FIG. 1; and,
FIG. 8 is a top right side perspective view of a case for a mobile phone according to the present invention with the hold down strap in an open position.

1 Claim, 7 Drawing Sheets



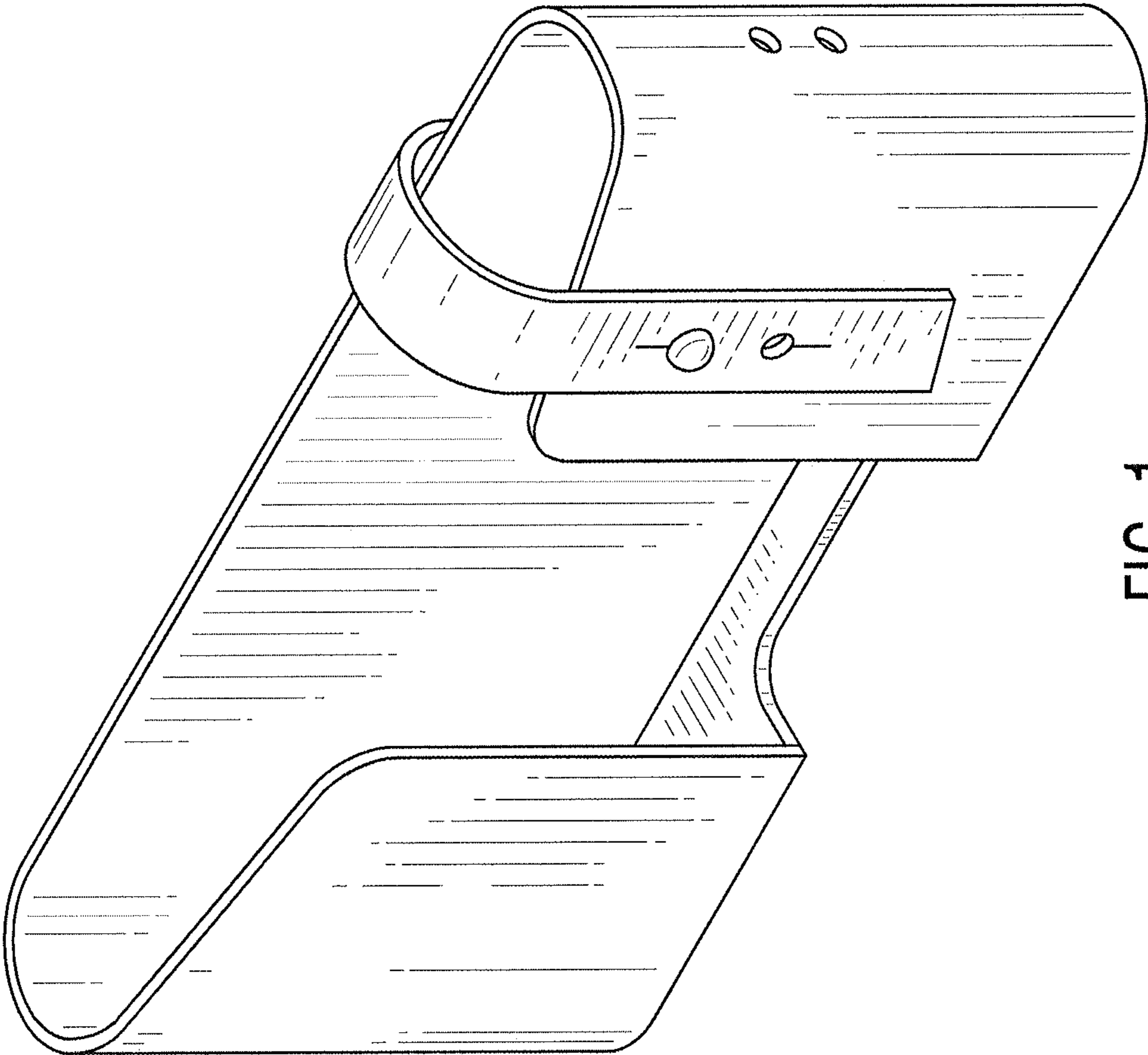


FIG. 1

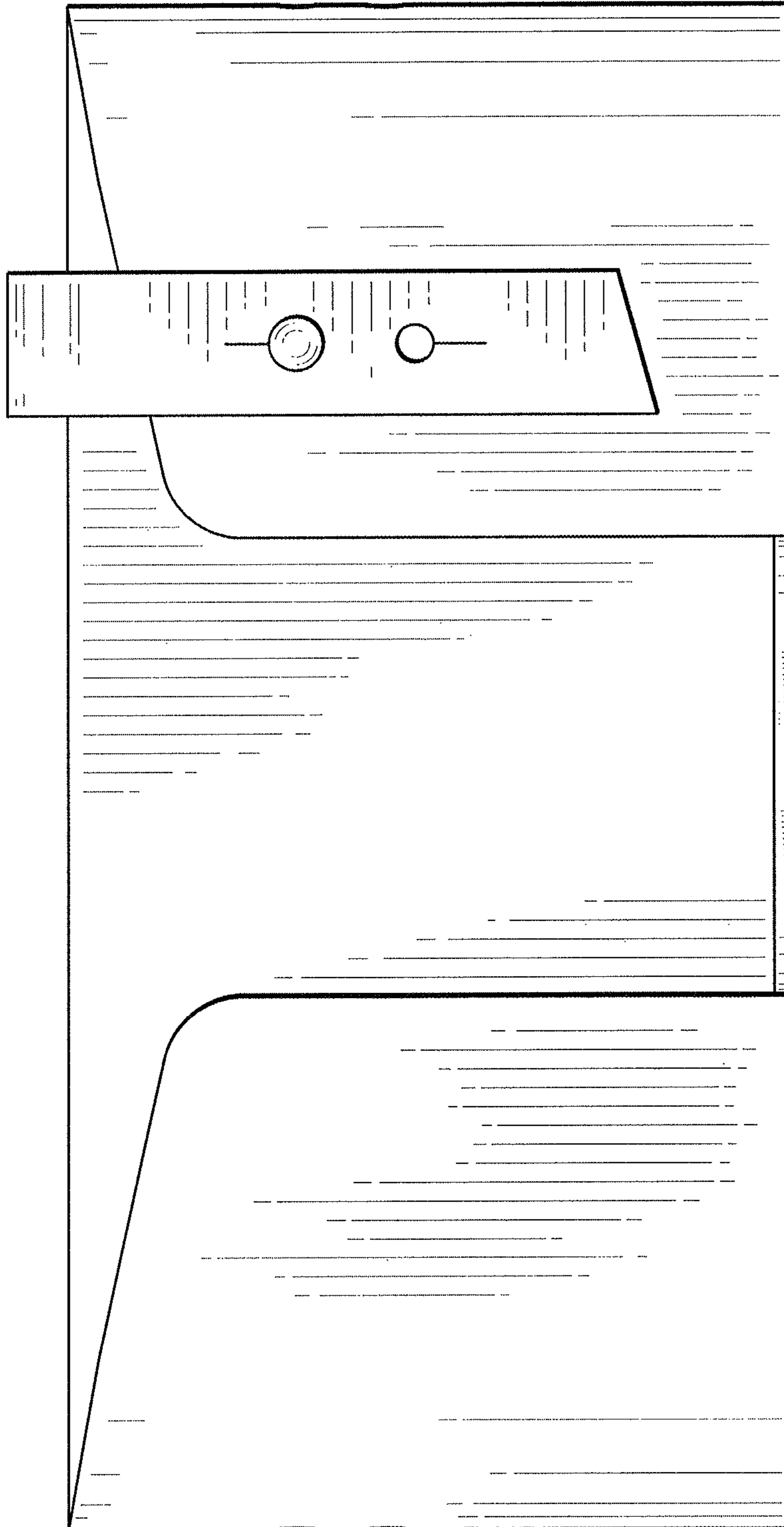


FIG. 2

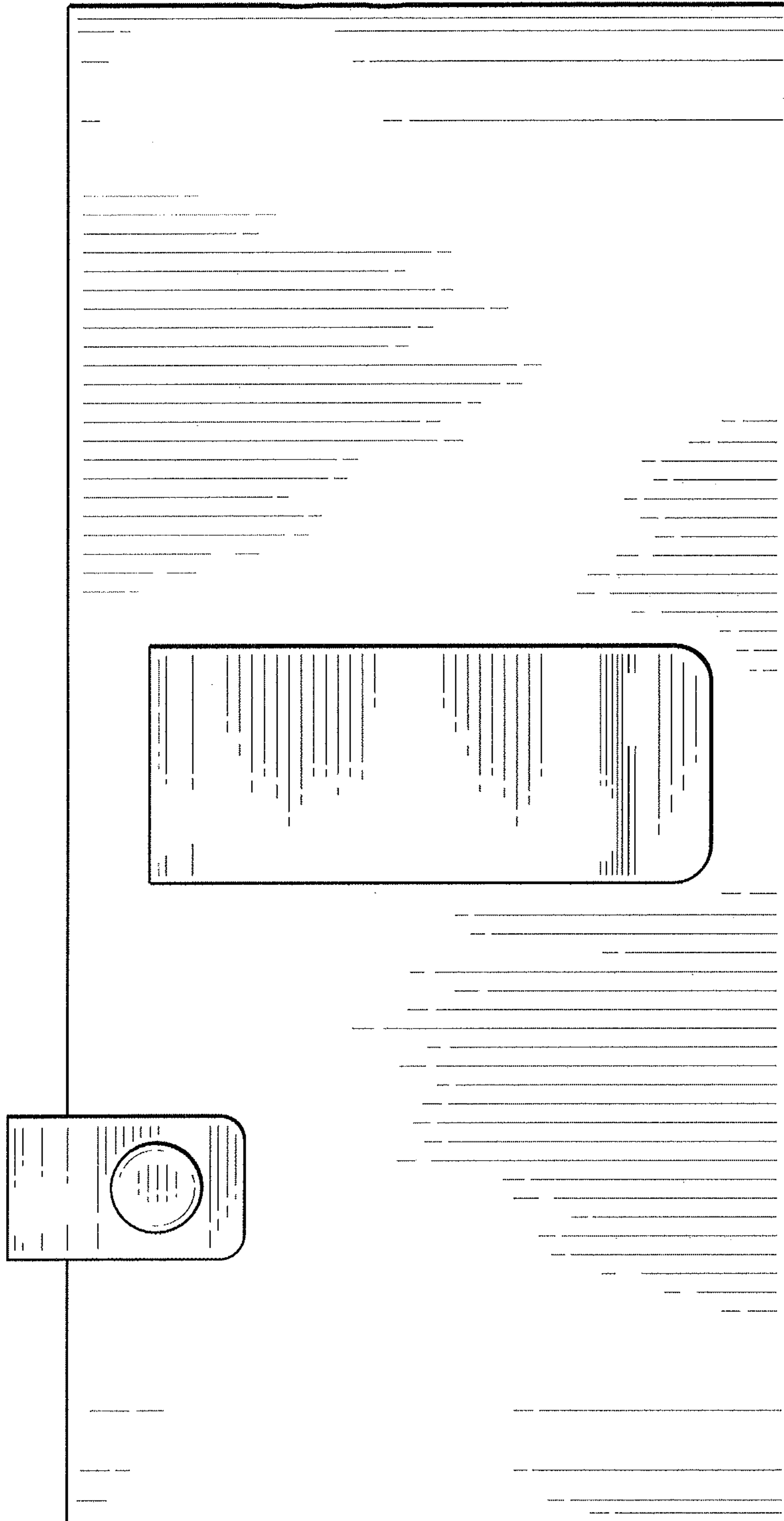


FIG. 3

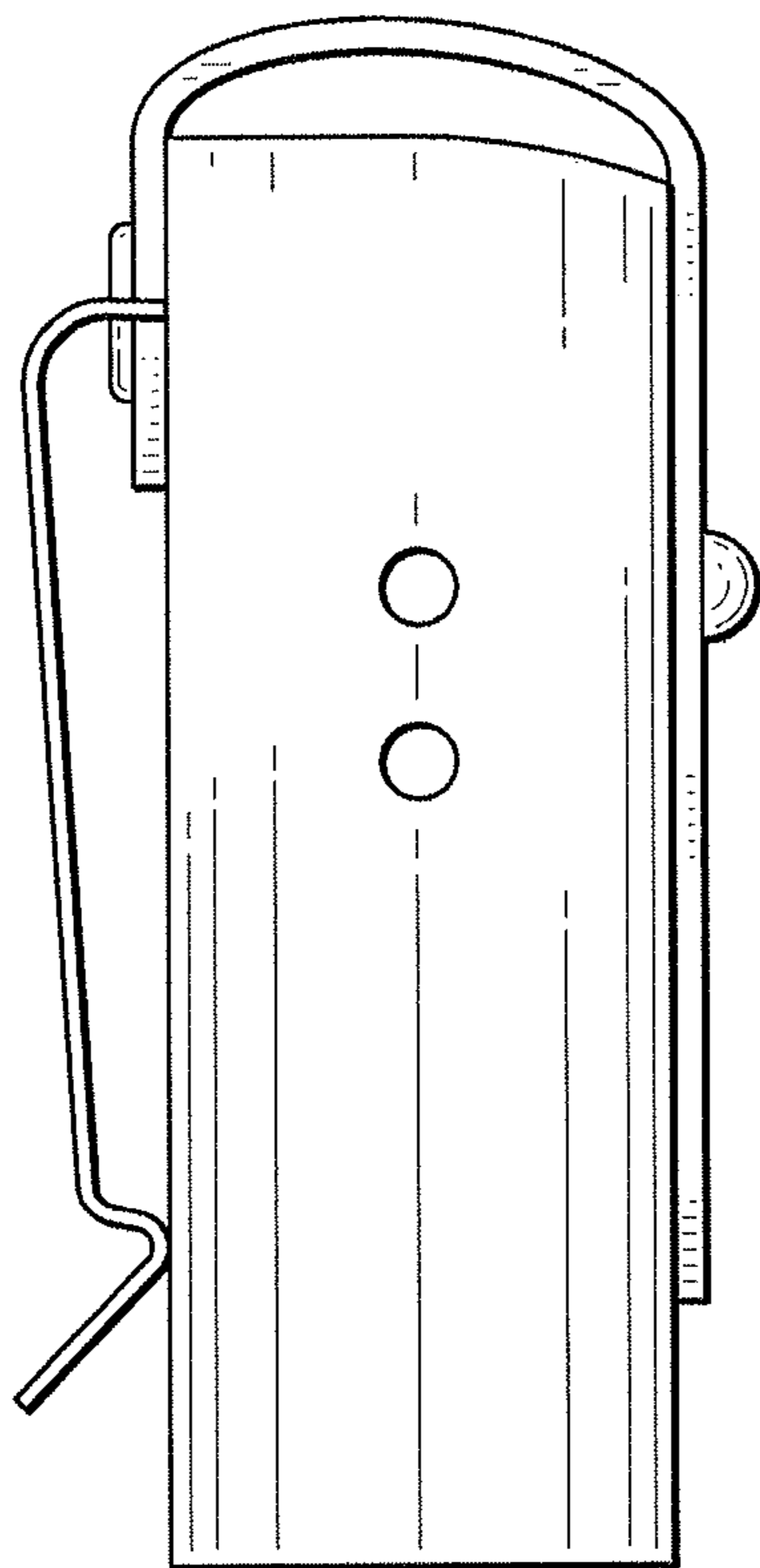


FIG. 4

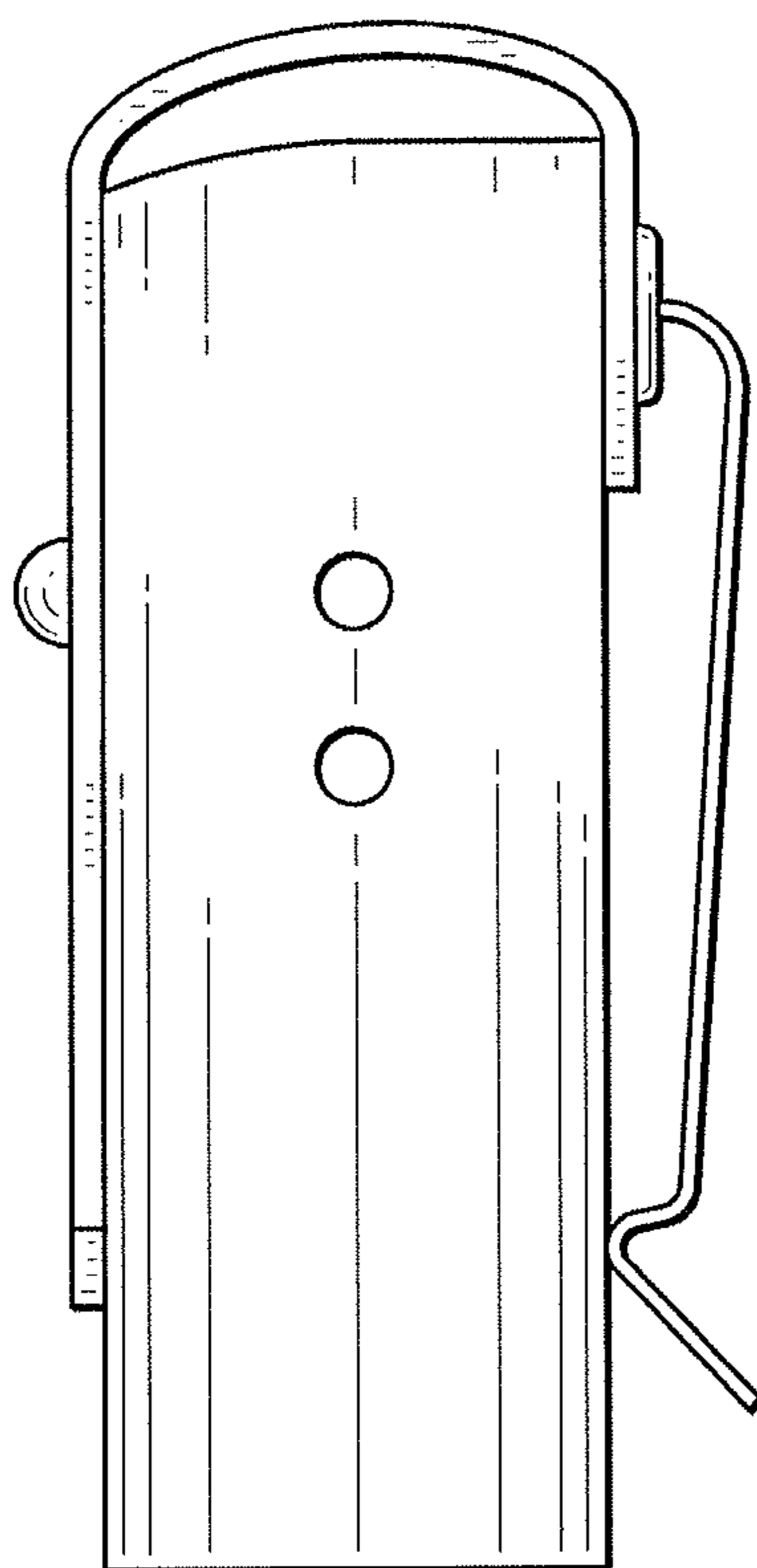


FIG. 5

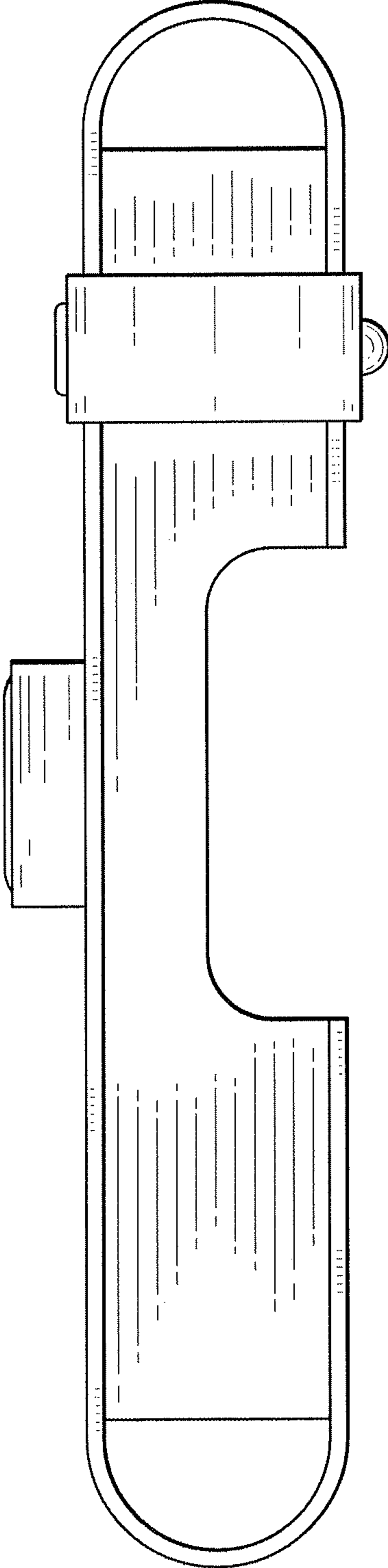


FIG. 6

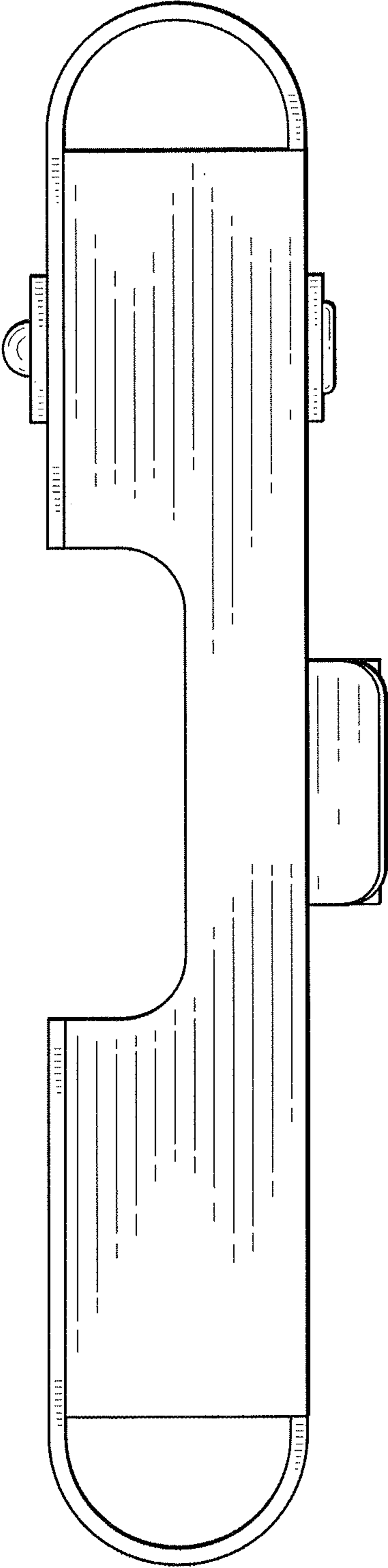


FIG. 7

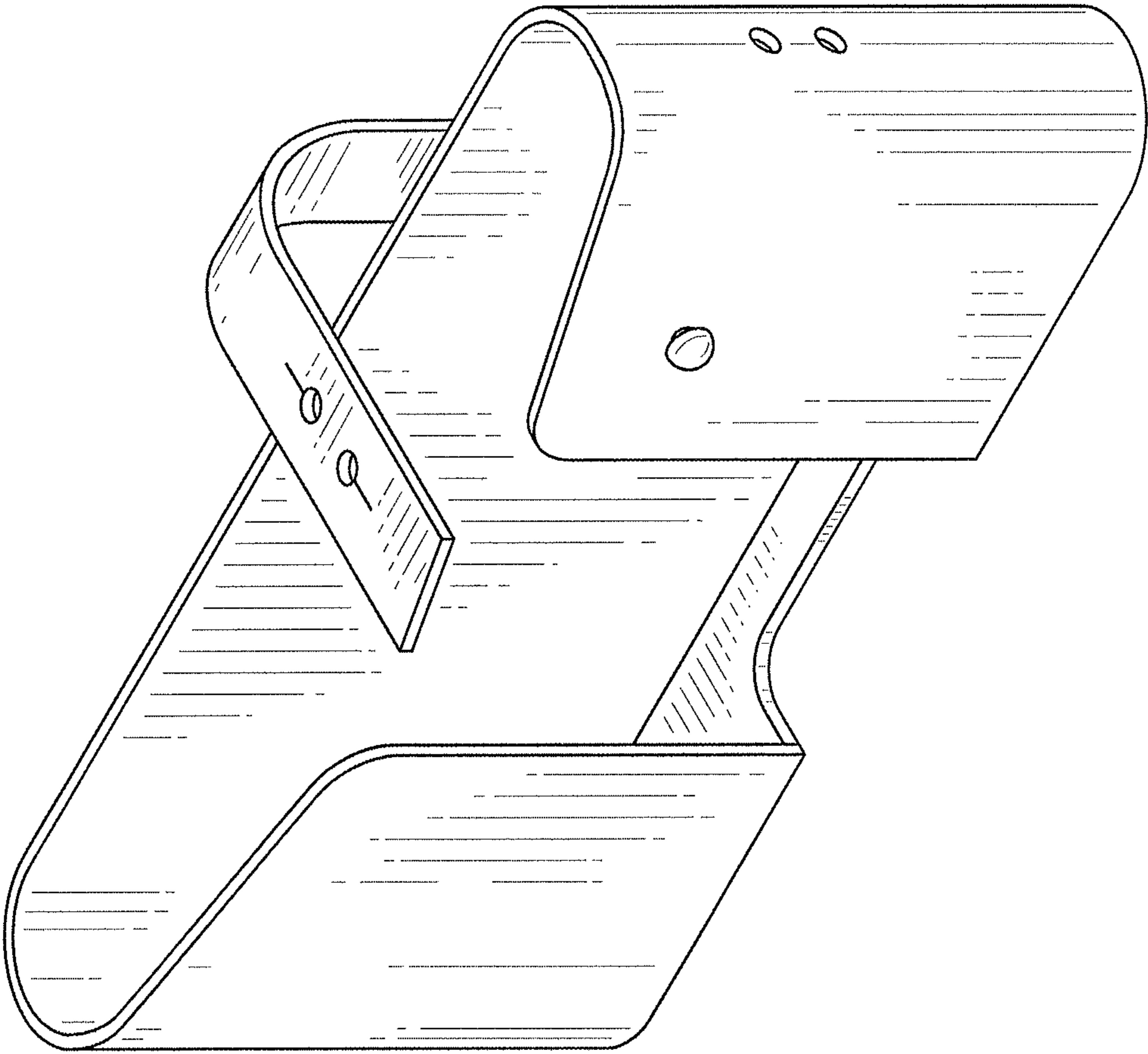


FIG. 8

UNITED STATES PATENT AND TRADEMARK OFFICE
CERTIFICATE OF CORRECTION

PATENT NO. : D685,571 S
APPLICATION NO. : 29/441367
DATED : July 9, 2013
INVENTOR(S) : Paul T. Chang

Page 1 of 1

It is certified that error appears in the above-identified patent and that said Letters Patent is hereby corrected as shown below:

Title page, item (71) Applicant: insert -- Paul T. Chang --.

Title page, item (72) Inventor: Paul T Chang, insert -- . -- after T.

Title page, item (56) OTHER PUBLICATIONS, line 1: delete "Korean" and insert -- Chinese --;
line 3, delete "Korean" and insert -- Chinese --.

Signed and Sealed this
Sixth Day of May, 2014



Michelle K. Lee
Deputy Director of the United States Patent and Trademark Office