



US00D685564S

(12) **United States Design Patent**
Haglund

(10) **Patent No.:** **US D685,564 S**
(45) **Date of Patent:** **** Jul. 2, 2013**

(54) **LOADING PALLET**

(76) Inventor: **Jörgen Haglund**, Varby (SE)

(**) Term: **14 Years**

(21) Appl. No.: **29/430,382**

(22) Filed: **Aug. 24, 2012**

(30) **Foreign Application Priority Data**

Feb. 24, 2012 (EM) 001997495

(51) **LOC (9) Cl.** **09-08**

(52) **U.S. Cl.**
USPC **D34/38**

(58) **Field of Classification Search**
USPC D34/38; 108/51.1, 53.1, 55.3, 52.1,
108/56.1, 57.1, 901
See application file for complete search history.

(56) **References Cited**

U.S. PATENT DOCUMENTS

D328,175 S *	7/1992	Pigott et al.	D34/38
D346,681 S *	5/1994	Pigott et al.	D34/38
D443,969 S *	6/2001	Apps	D34/38
D464,186 S *	10/2002	Medoff et al.	D34/38
D472,360 S *	3/2003	Medoff et al.	D34/38
D485,659 S *	1/2004	Medoff et al.	D34/38
D584,874 S *	1/2009	Sasnowski	D34/38
D674,984 S *	1/2013	Reyhan et al.	D34/38

* cited by examiner

Primary Examiner — Cynthia Ramirez

(74) *Attorney, Agent, or Firm* — Young & Thompson

(57) **CLAIM**

The ornamental design for a loading pallet, as shown and described.

DESCRIPTION

FIG. 1 is a front, side, and top perspective view of a loading pallet showing the new design;

FIG. 2 is a front, side, and bottom perspective view thereof;
 FIG. 3 is a side elevation view thereof;
 FIG. 4 is a front elevation view thereof;
 FIG. 5 is a top plan view thereof;
 FIG. 6 is a bottom plan view thereof;
 FIG. 7 is front, side, and top perspective view of the top portion of the loading pallet shown in FIGS. 1-6, wherein the bottom portions, the spanner connecting the top and bottom portions, and the fasteners used to fasten the spanners to the top portion and the bottom portion have been removed;
 FIG. 8 is a front, side, and bottom perspective view thereof;
 FIG. 9 is a side elevation view thereof;
 FIG. 10 is a front elevation view thereof;
 FIG. 11 is a top plan view thereof;
 FIG. 12 is a bottom plan view thereof;
 FIG. 13 is front, side, and top perspective view of one of the bottom portions of the loading pallet shown in FIGS. 1-6, wherein the other portions of the loading pallet have been removed;
 FIG. 14 is a front, side, and bottom perspective view thereof;
 FIG. 15 is a side elevation view thereof;
 FIG. 16 is a front elevation view thereof;
 FIG. 17 is a top plan view thereof;
 FIG. 18 is a bottom plan view thereof;
 FIG. 19 is an enlarged front, side, and top perspective view of a spanner portion of the loading pallet shown in FIGS. 1-6, which connects the top portion and the bottom portion, and wherein the other portions of the loading pallet have been removed;
 FIG. 20 is a front elevation view thereof;
 FIG. 21 is a side elevation view thereof;
 FIG. 22 is an enlarged front, side, and top perspective view of a first fastener portion of the loading pallet shown in FIGS. 1-6, which fastens the top portion of the loading pallet to the spanner portion;
 FIG. 23 is a front, side, and bottom perspective view thereof;
 FIG. 24 is a side elevation view thereof;
 FIG. 25 is a front elevation view thereof;
 FIG. 26 is a top plan view thereof;
 FIG. 27 is bottom plan view thereof;
 FIG. 28 is an enlarged front, side, and bottom perspective view of a second fastener portion of the loading pallet shown in FIGS. 1-6, which fastens the bottom portion of the loading pallet to the spanner portion;

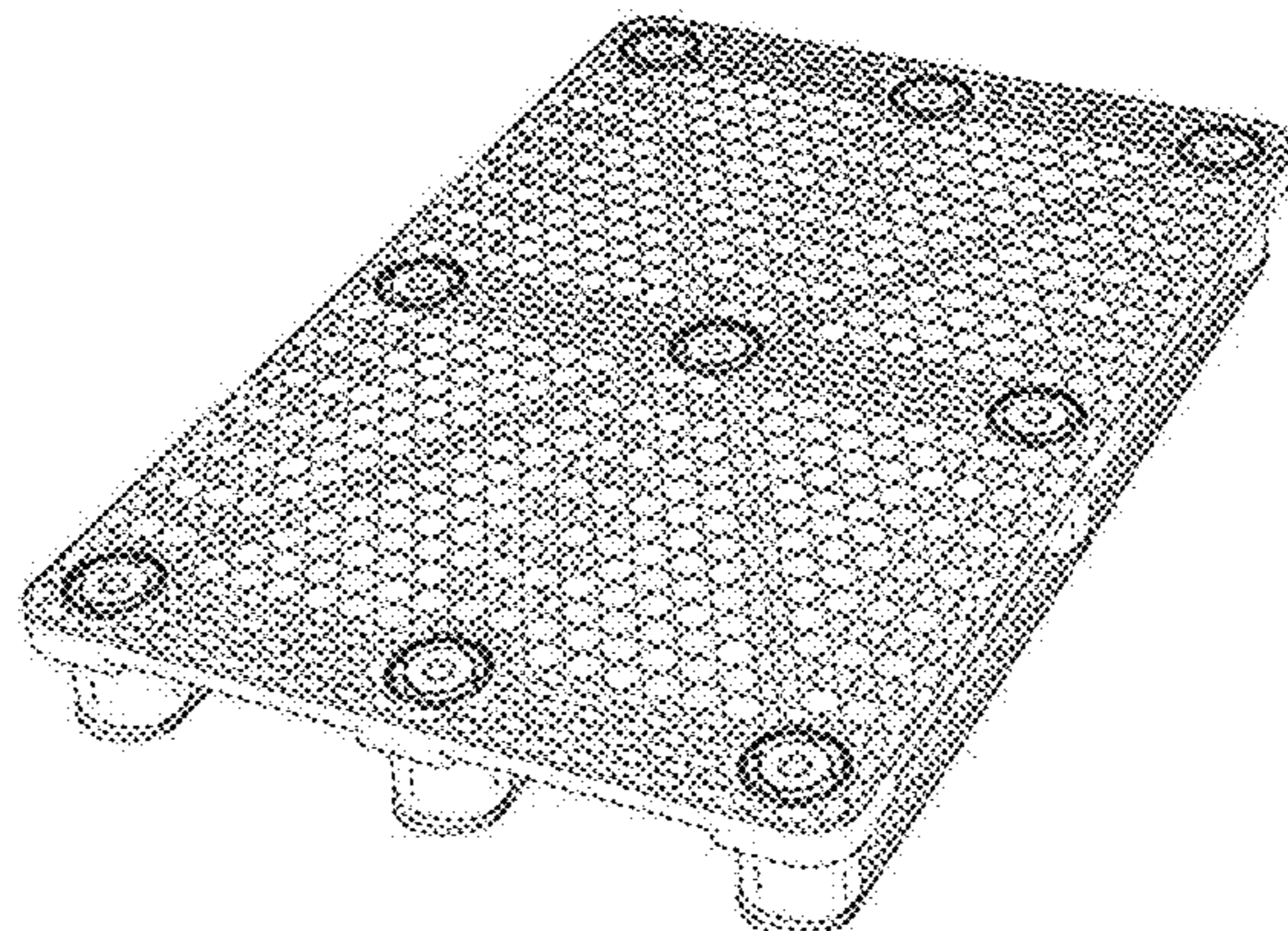


FIG. **29** is a front, side, and top perspective view thereof;
FIG. **30** is a side elevation view thereof;
FIG. **31** is a front elevation view thereof;
FIG. **32** is a top plan view thereof; and,
FIG. **33** is bottom plan view thereof.
The elements of the pallet are shown removed in some of the figures for convenience of illustration.
In FIGS. **13-18** only one of the bottom portions is shown for convenience of illustrations, it being understood that the other bottom portions are identical.

In FIGS. **19-21** only one of the spanner portions is being shown for convenience of illustration, it being understood that the other spanner portions are identical.
In FIGS. **22-27** only one of the first fasteners portion is being shown for convenience of illustration, it being understood that the other first fasteners are identical.
In FIGS. **28-33** only one of the second fasteners portion is being shown for convenience of illustration, it being understood that the other second fasteners are identical.

1 Claim, 33 Drawing Sheets

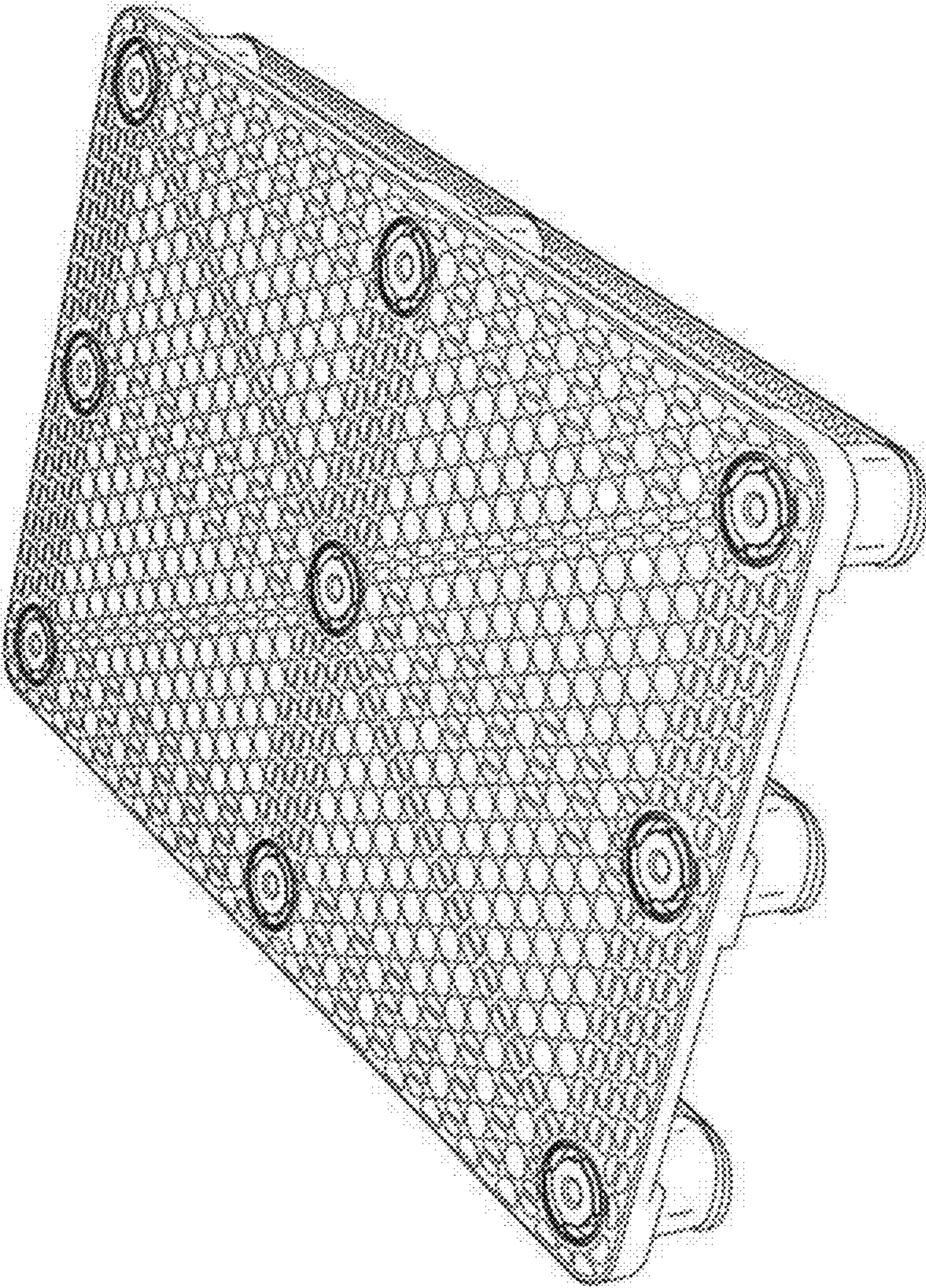


Fig. 1

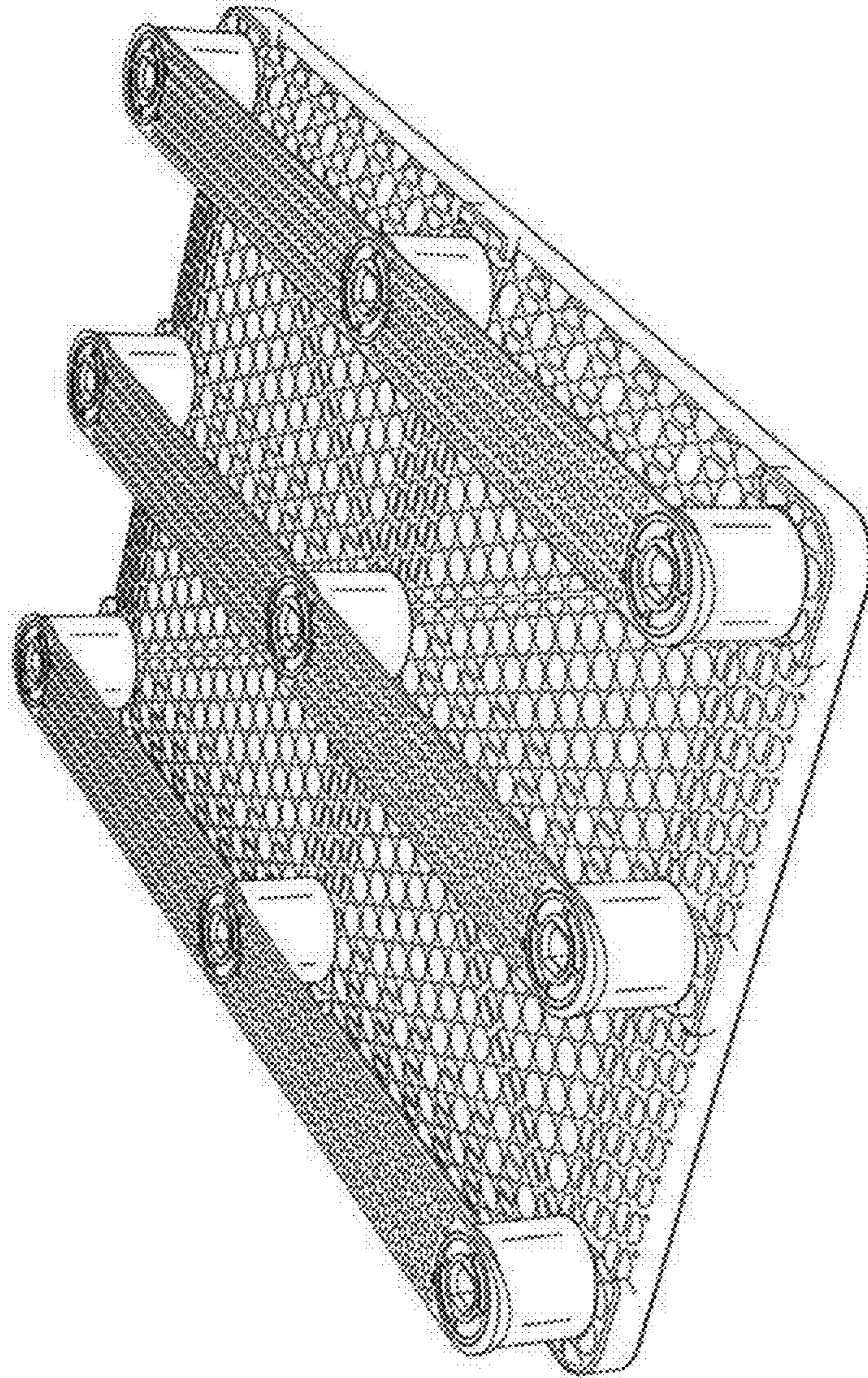


Fig. 2

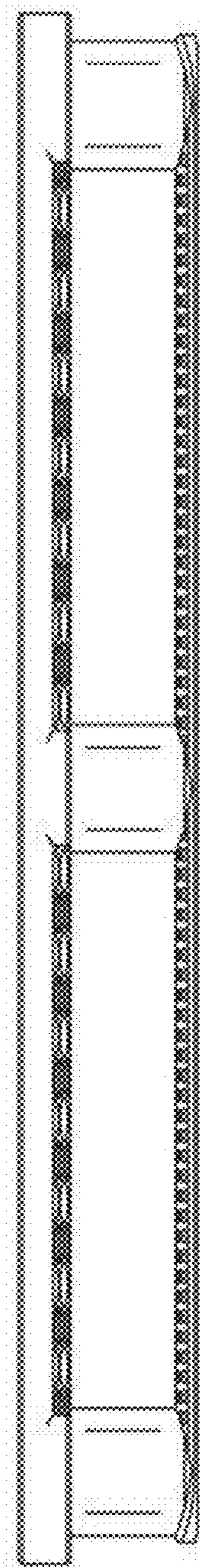


Fig. 3

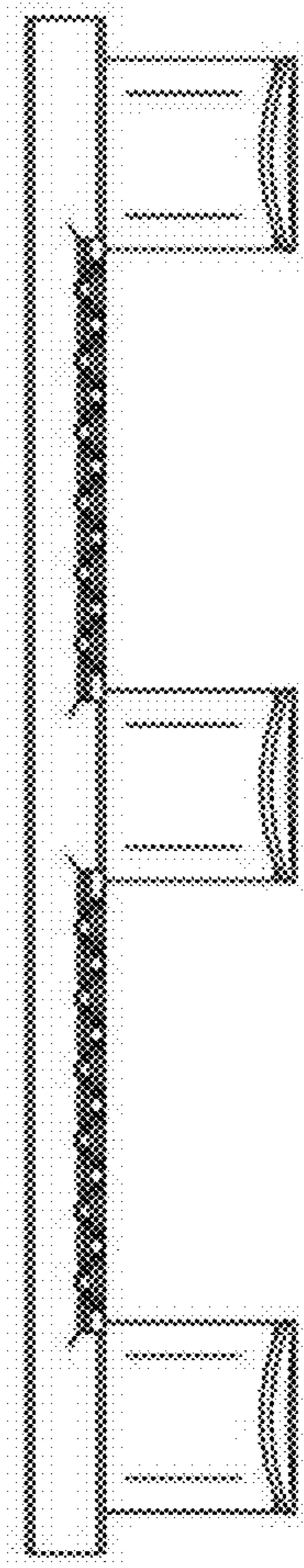


Fig. 4

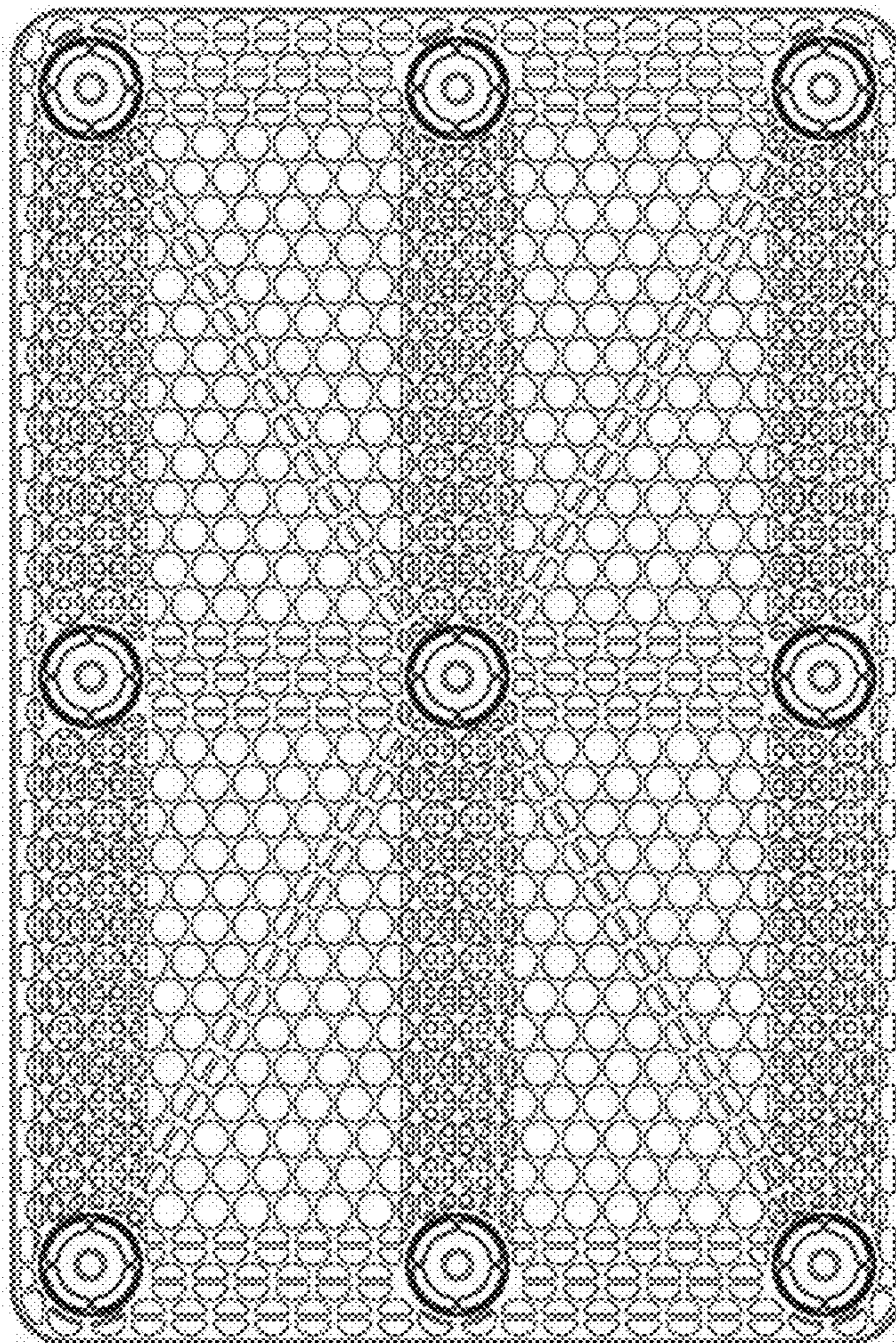


Fig. 5

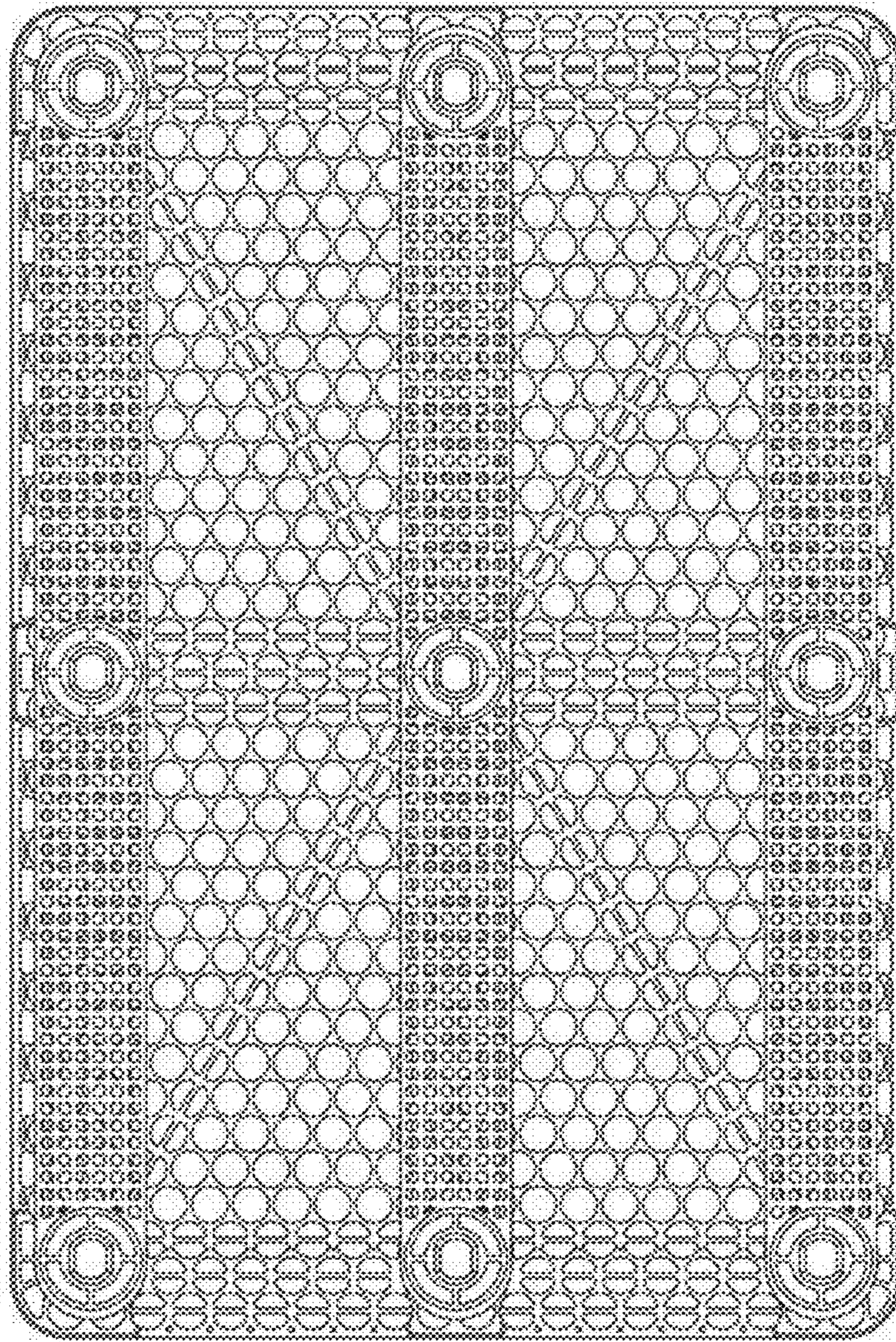


Fig. 6

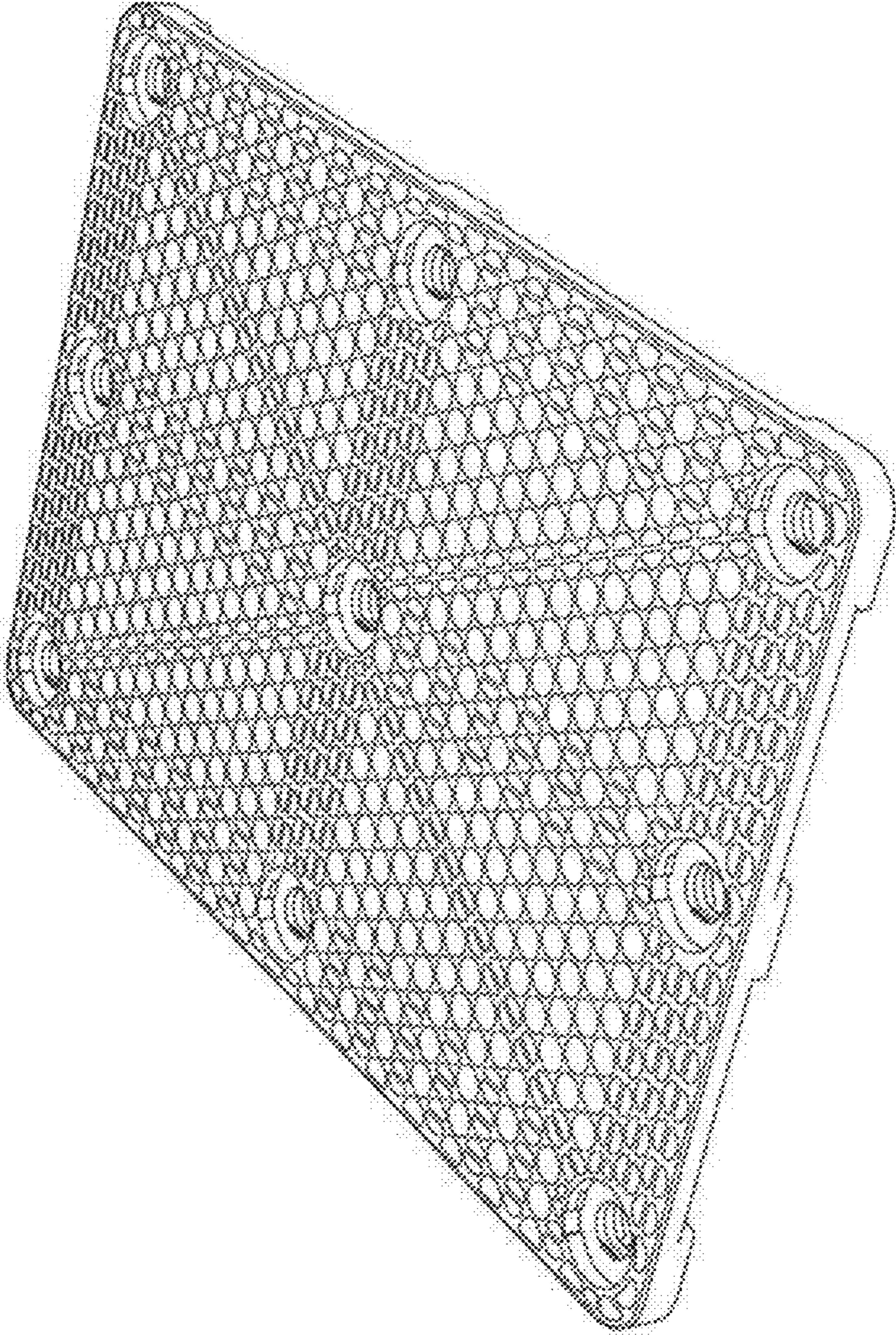


Fig. 7

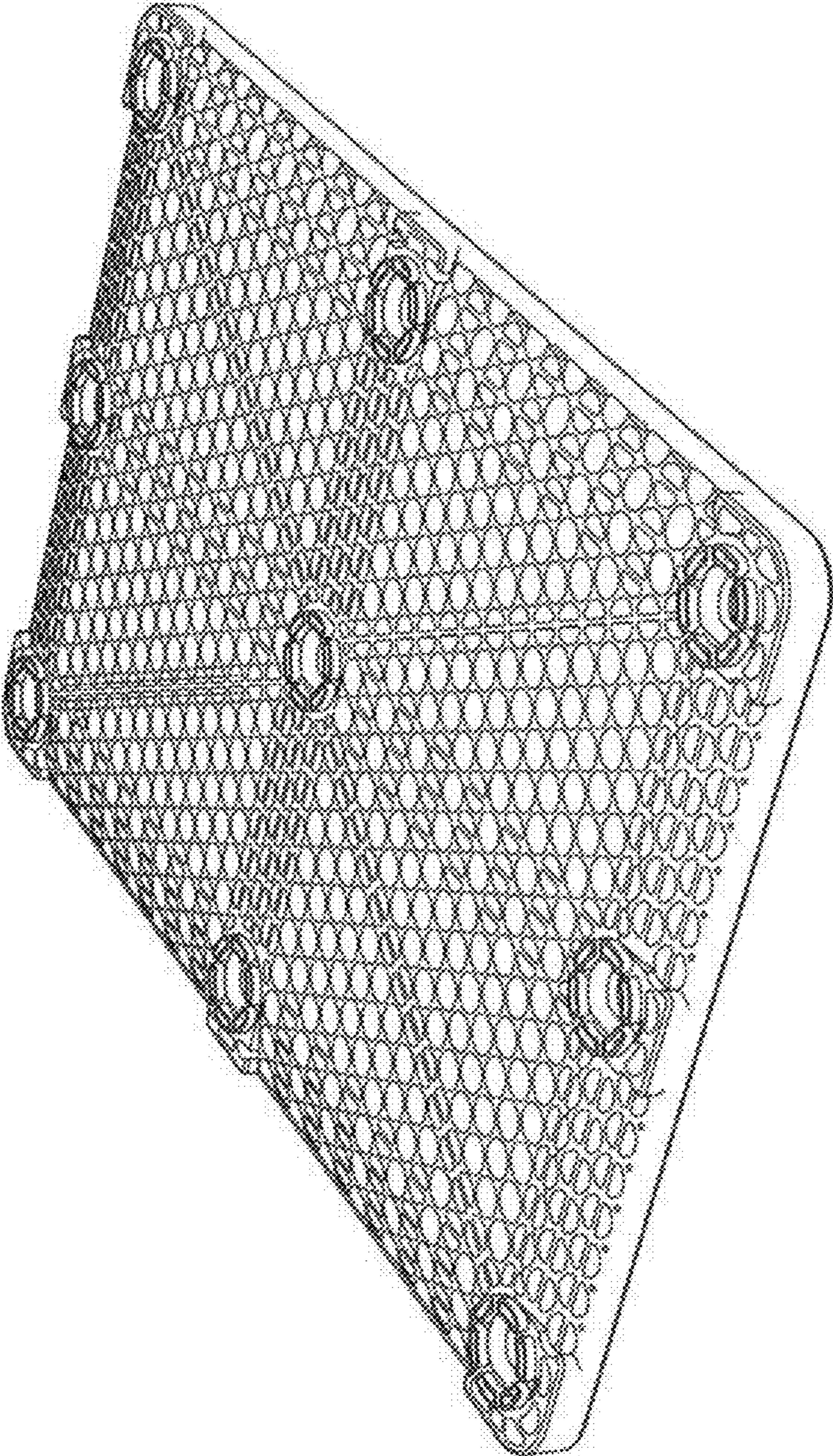


Fig. 8

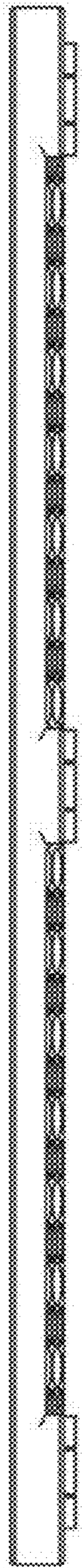


Fig. 9

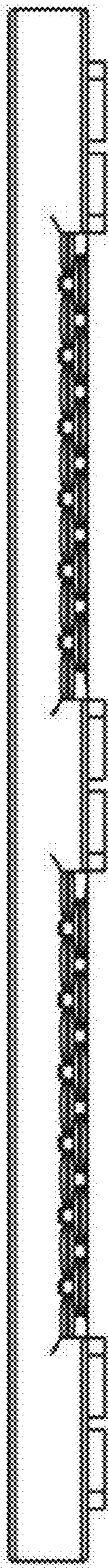


Fig. 10

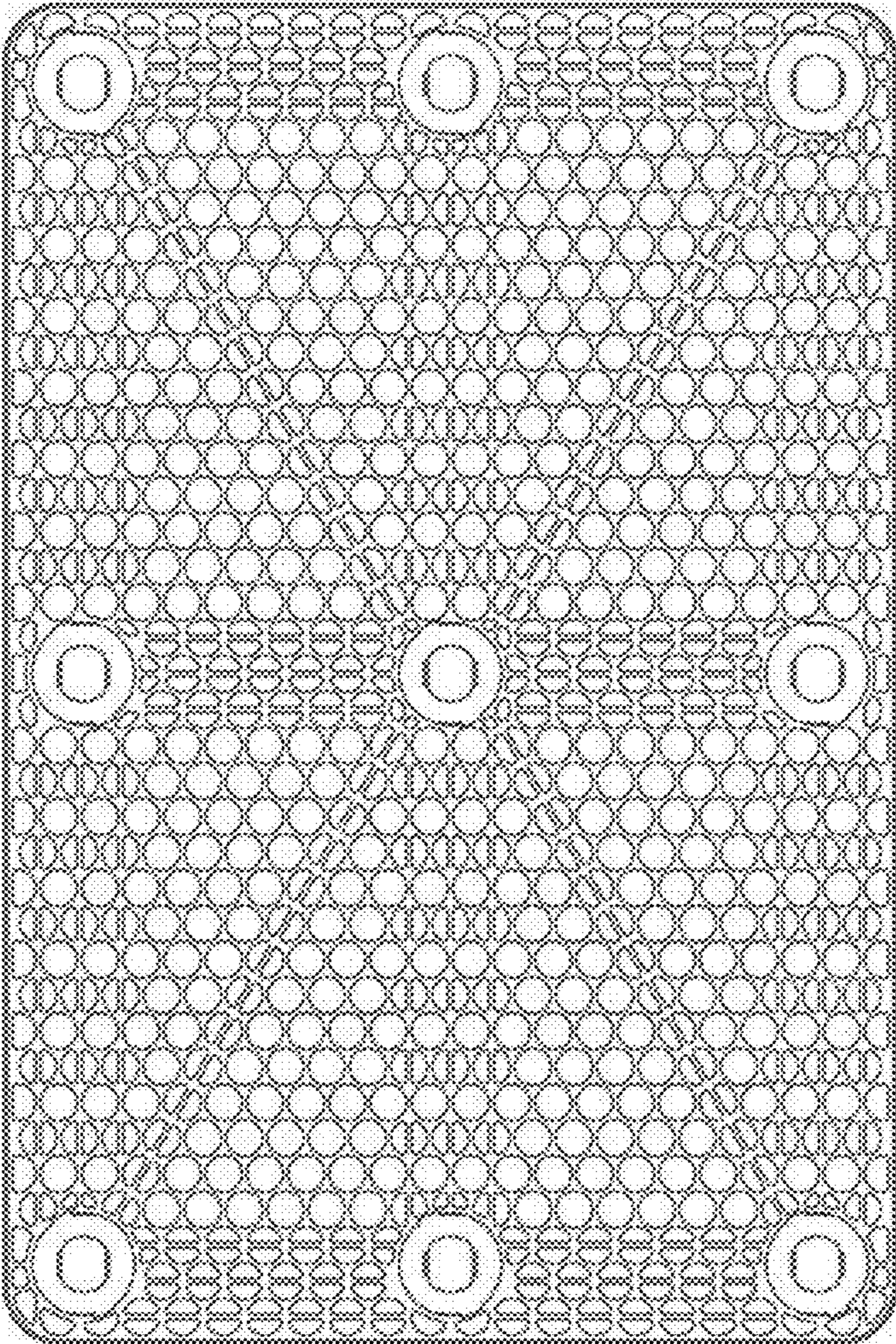


Fig. 11

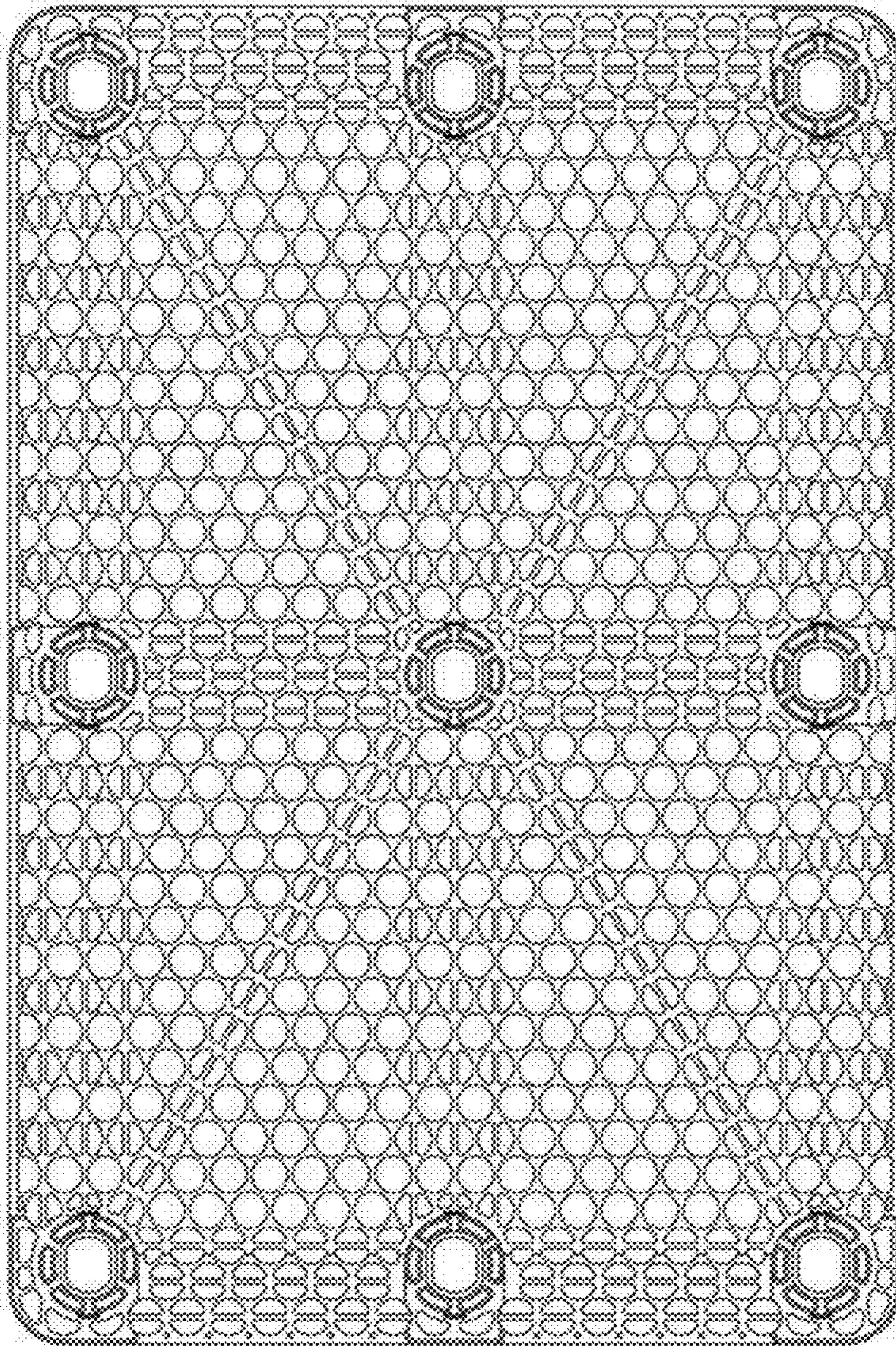


Fig. 12

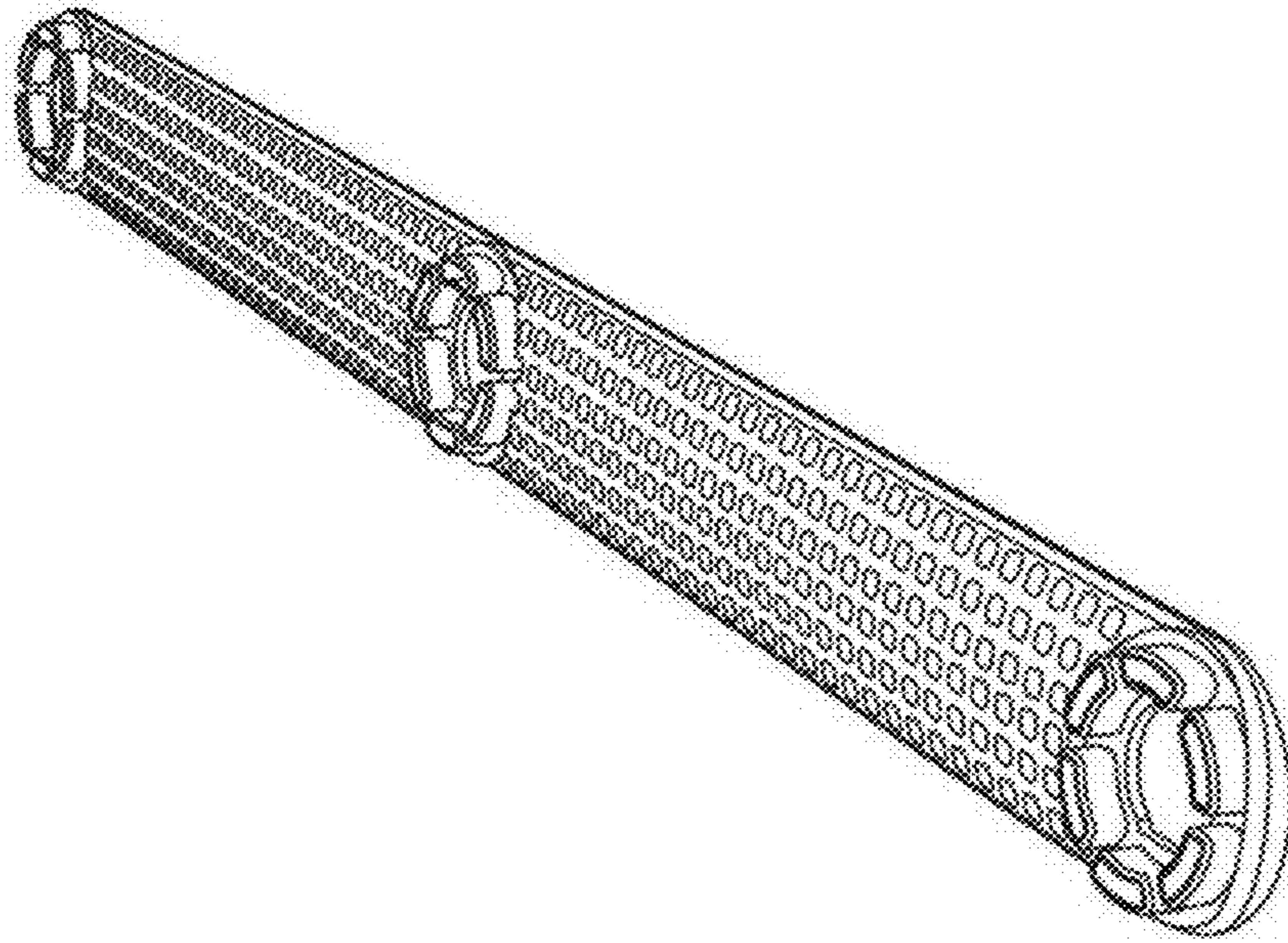


Fig. 13

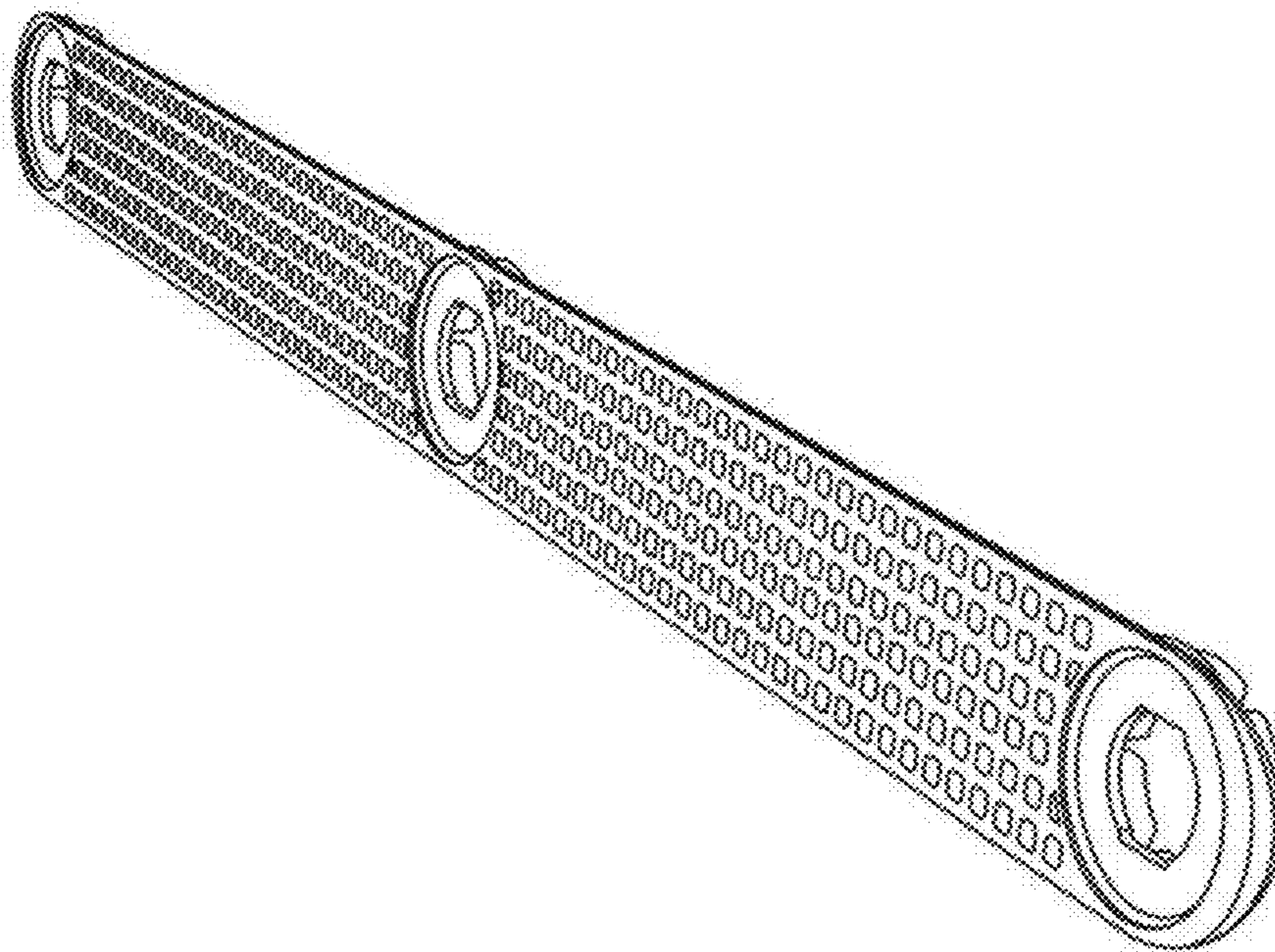


Fig. 14

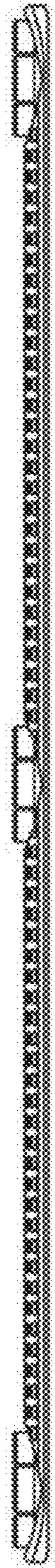


Fig. 15

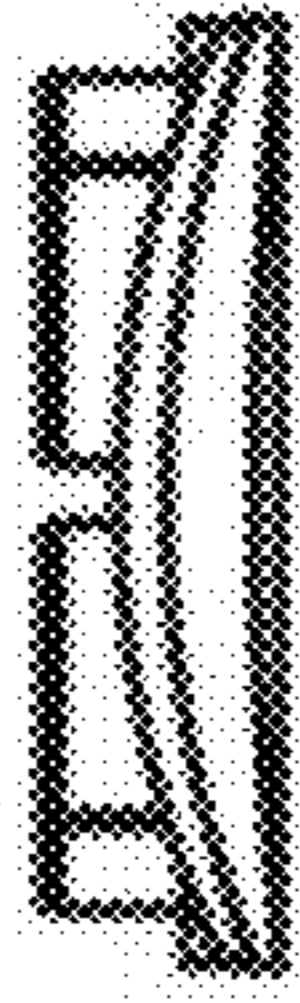


Fig. 16

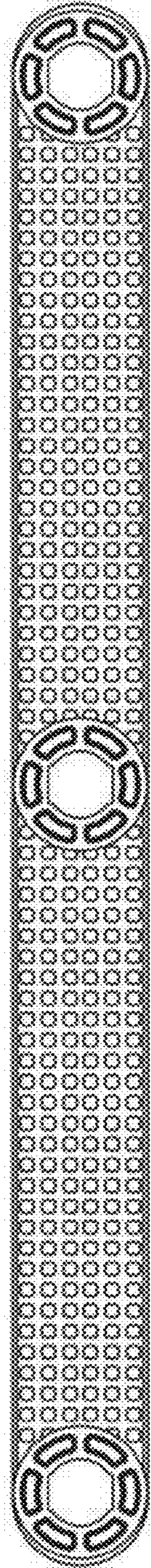


Fig. 17

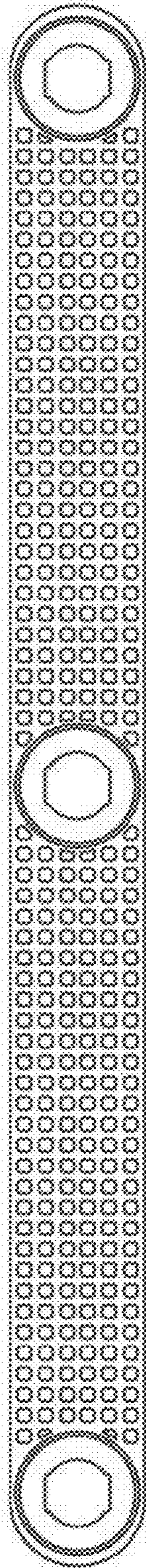


Fig. 18

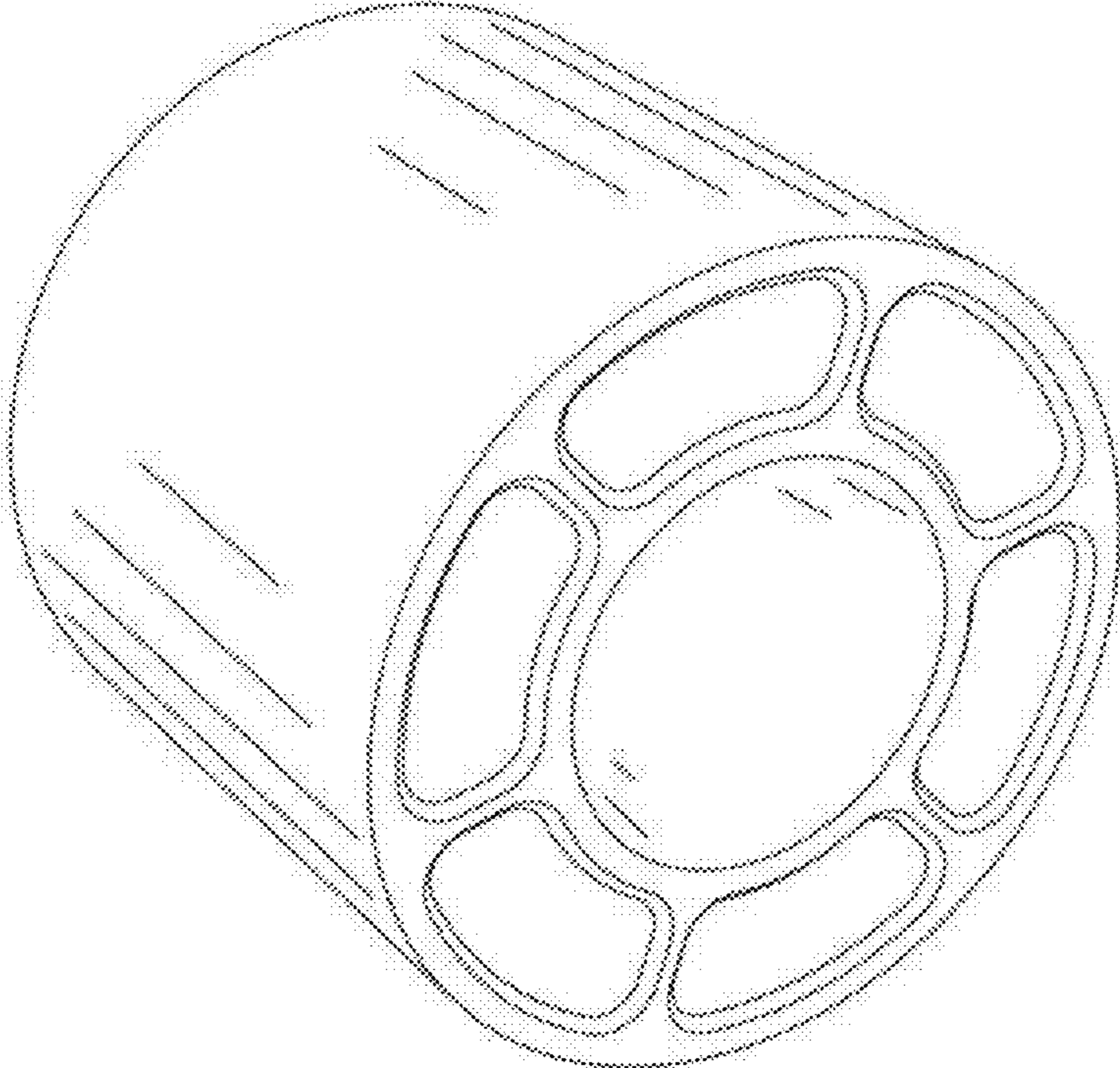


Fig. 19

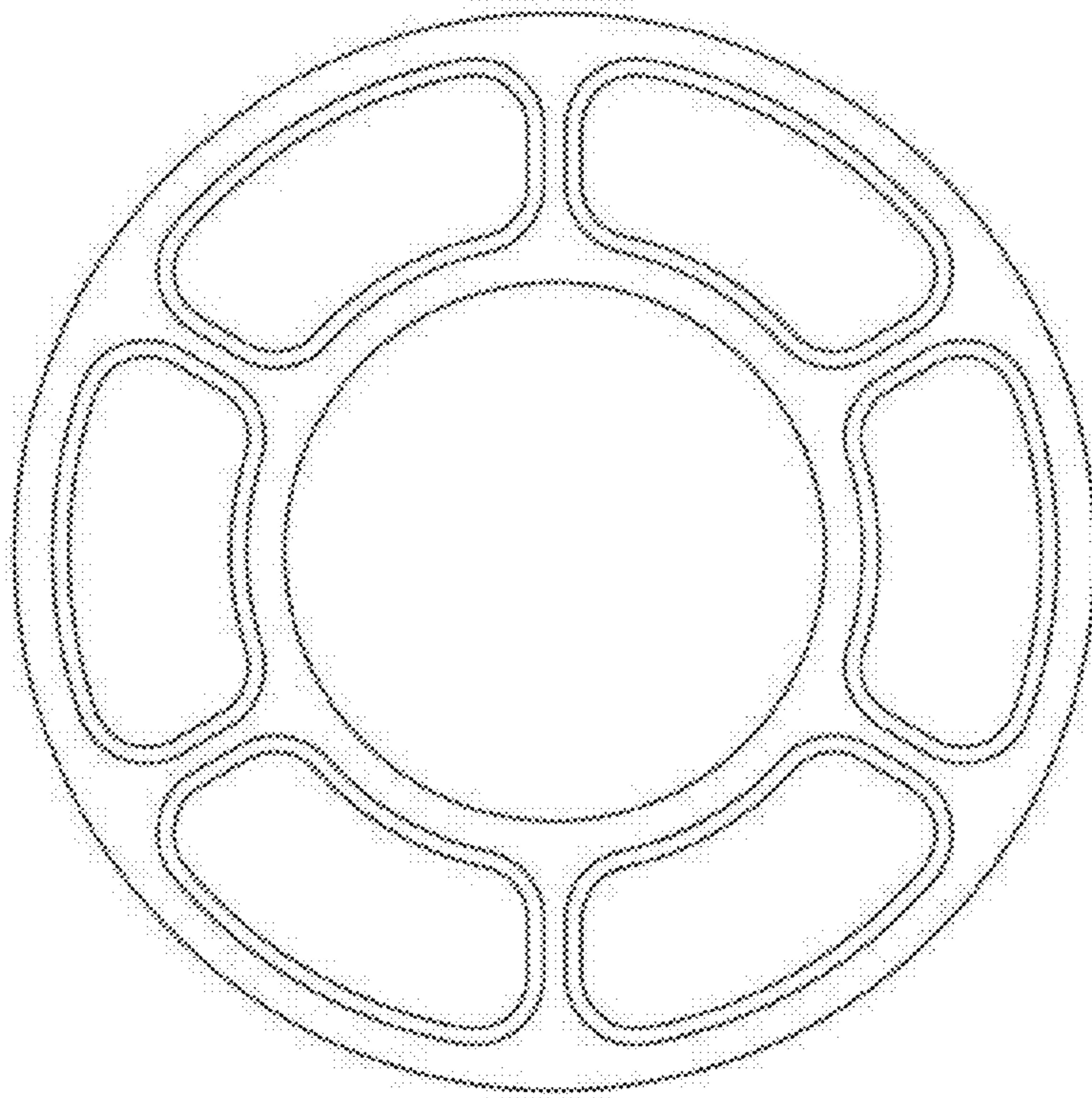


Fig. 20

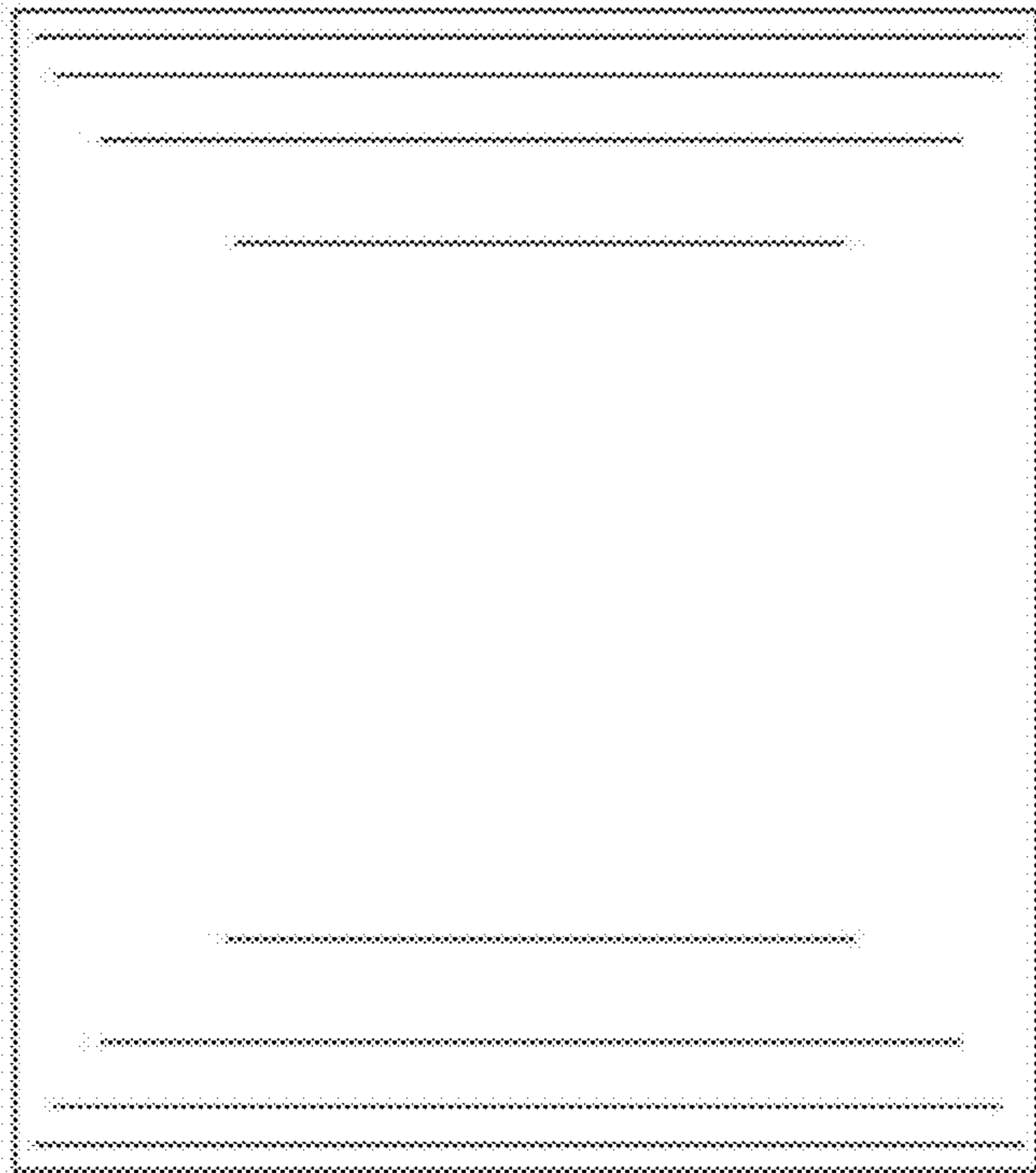


Fig. 21

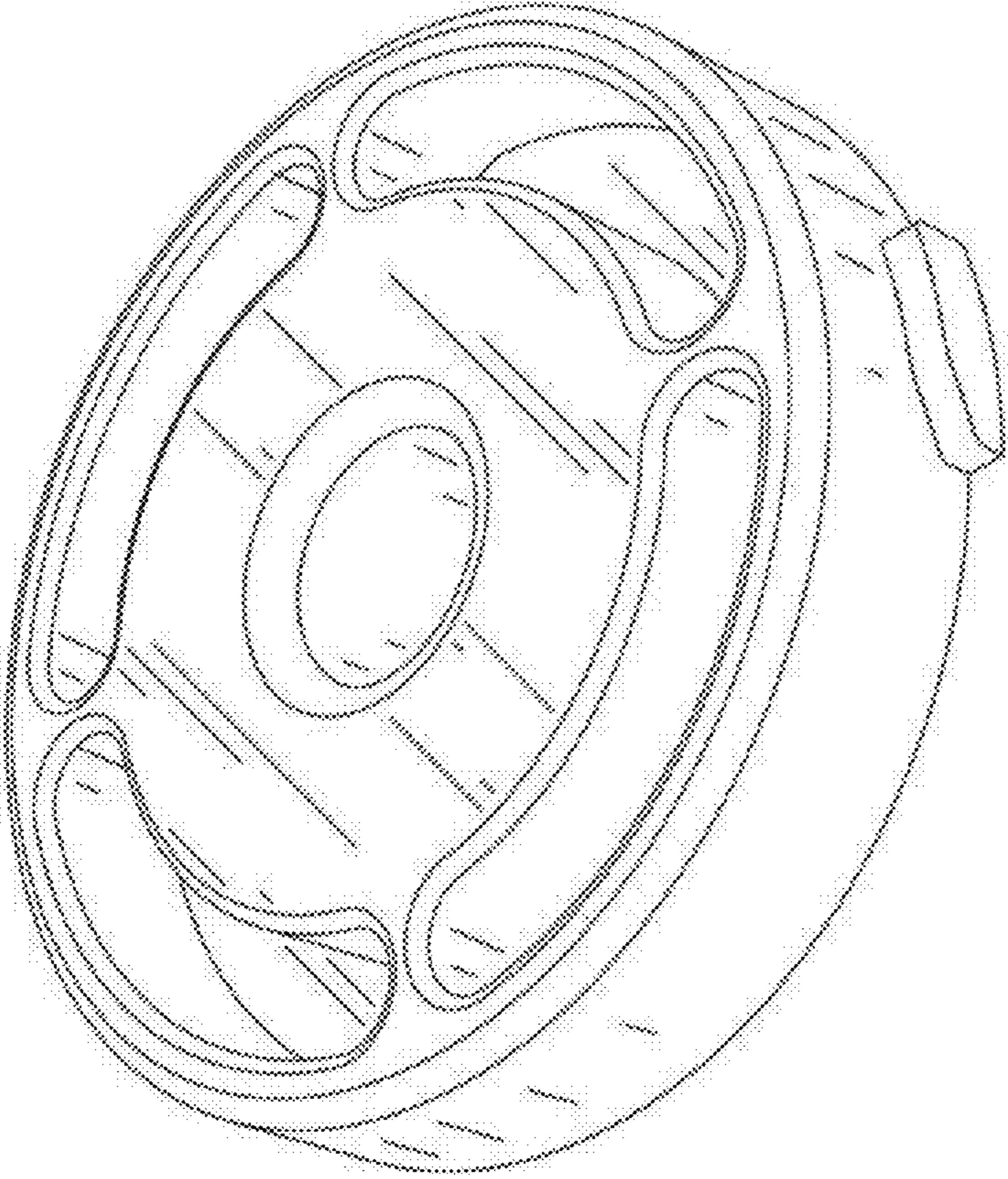


Fig. 22

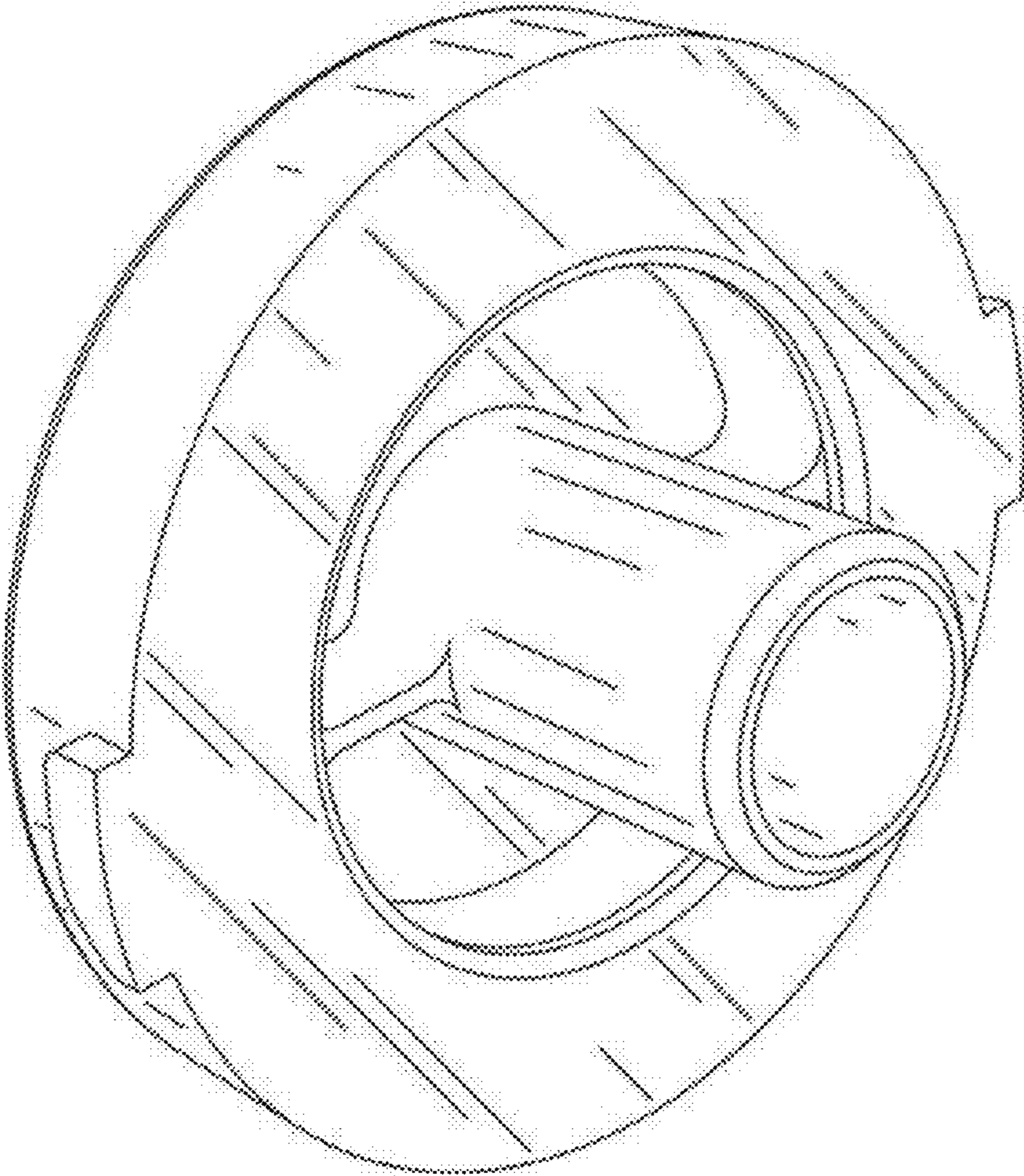


Fig. 23

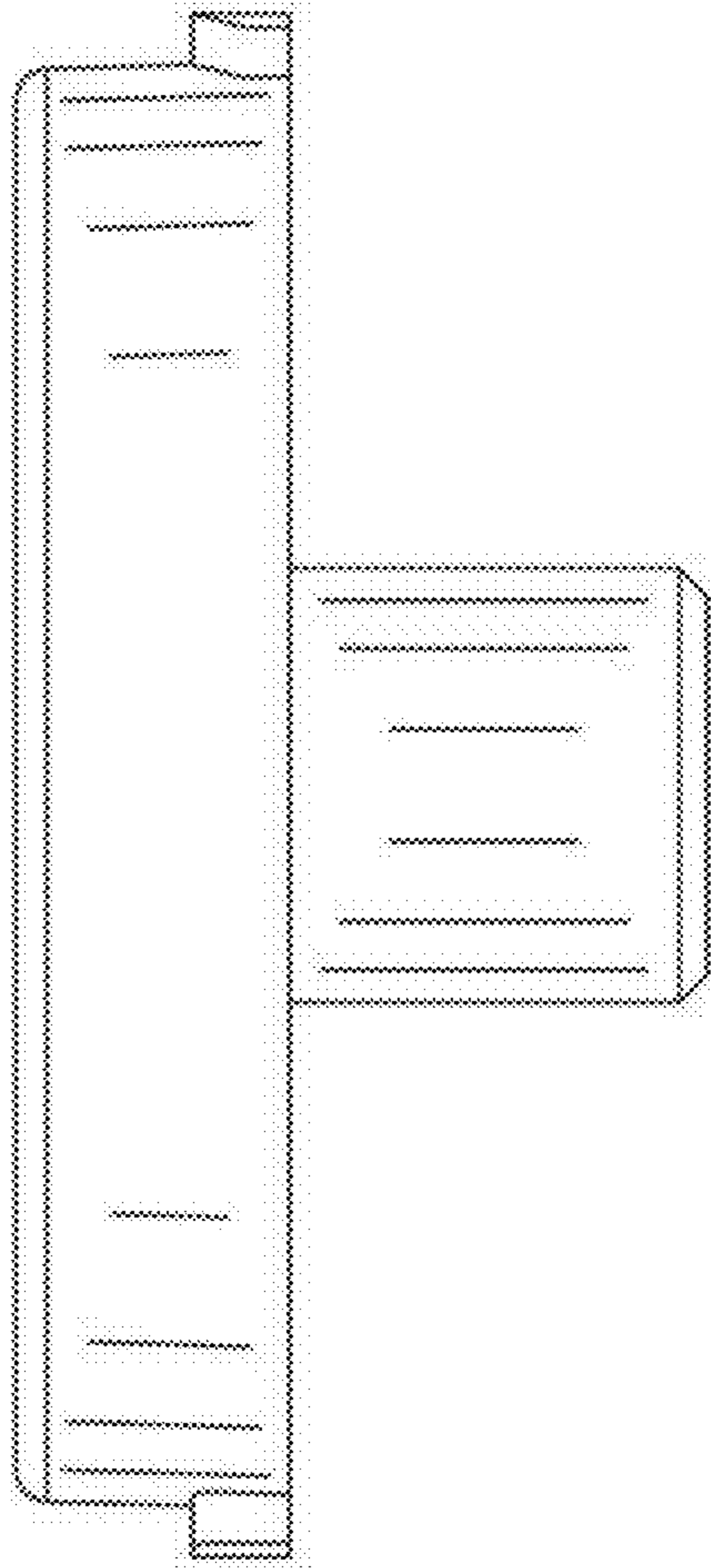


Fig. 24

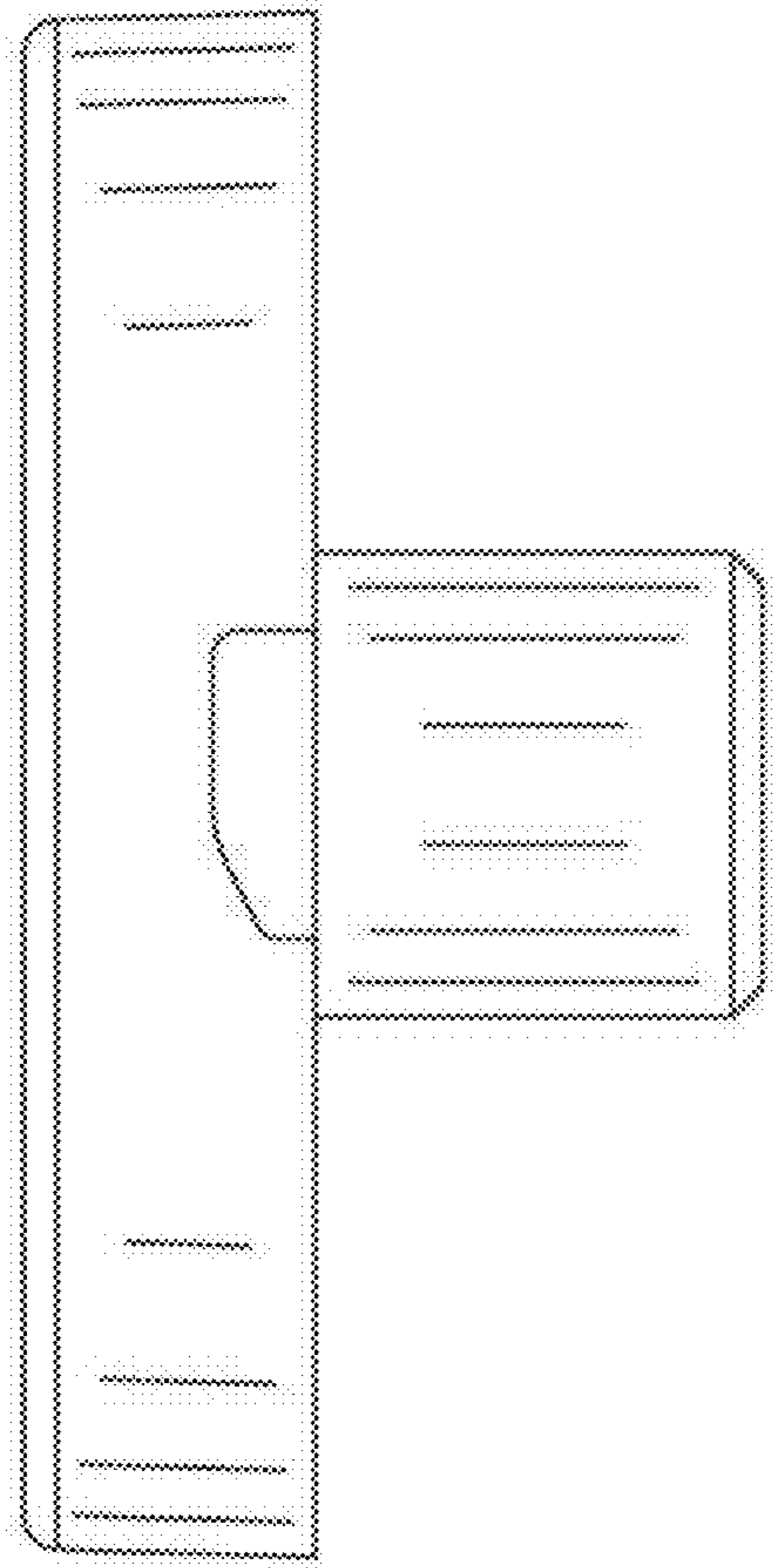


Fig. 25

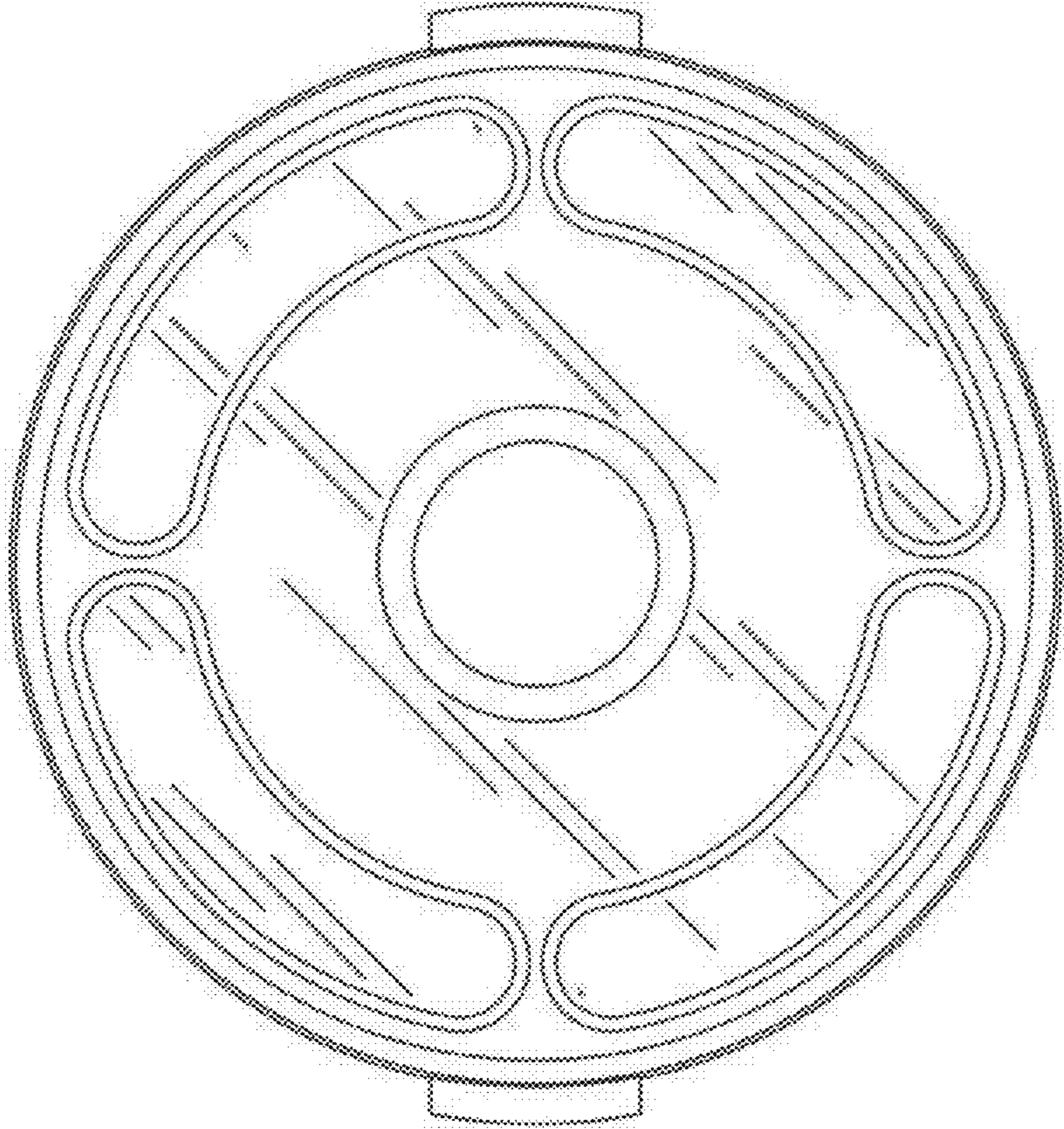


Fig. 26

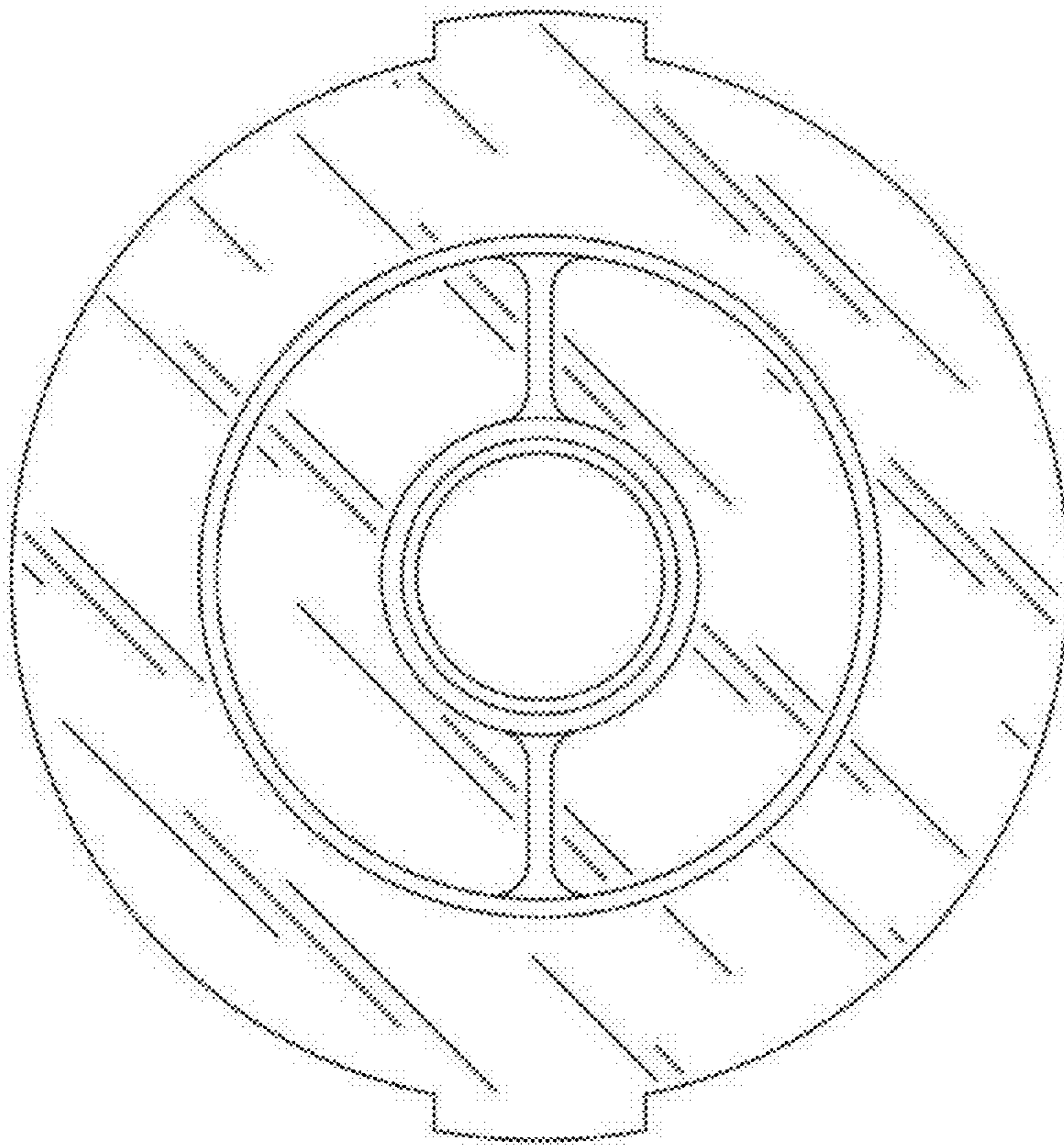


Fig. 27

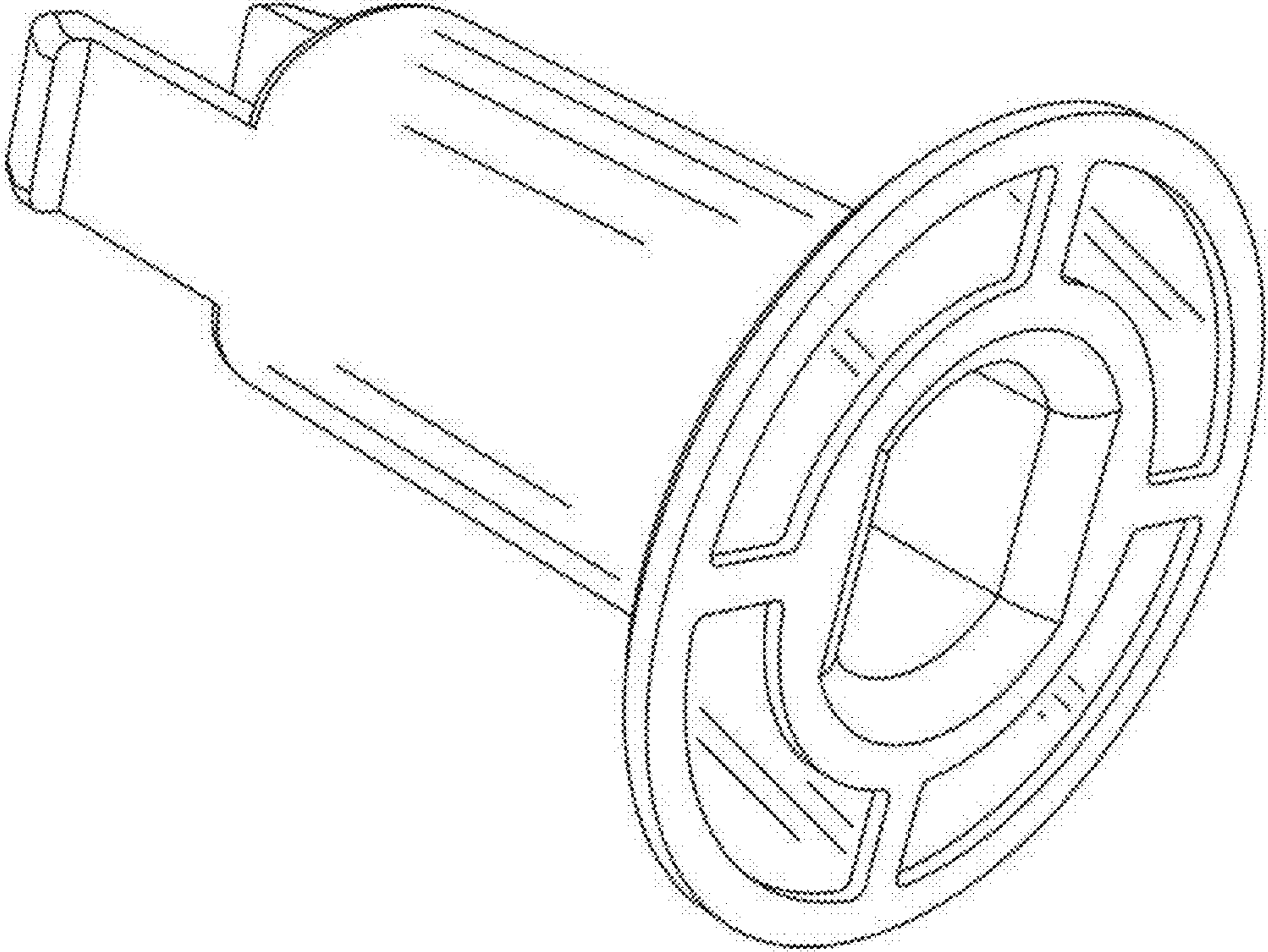


Fig. 28

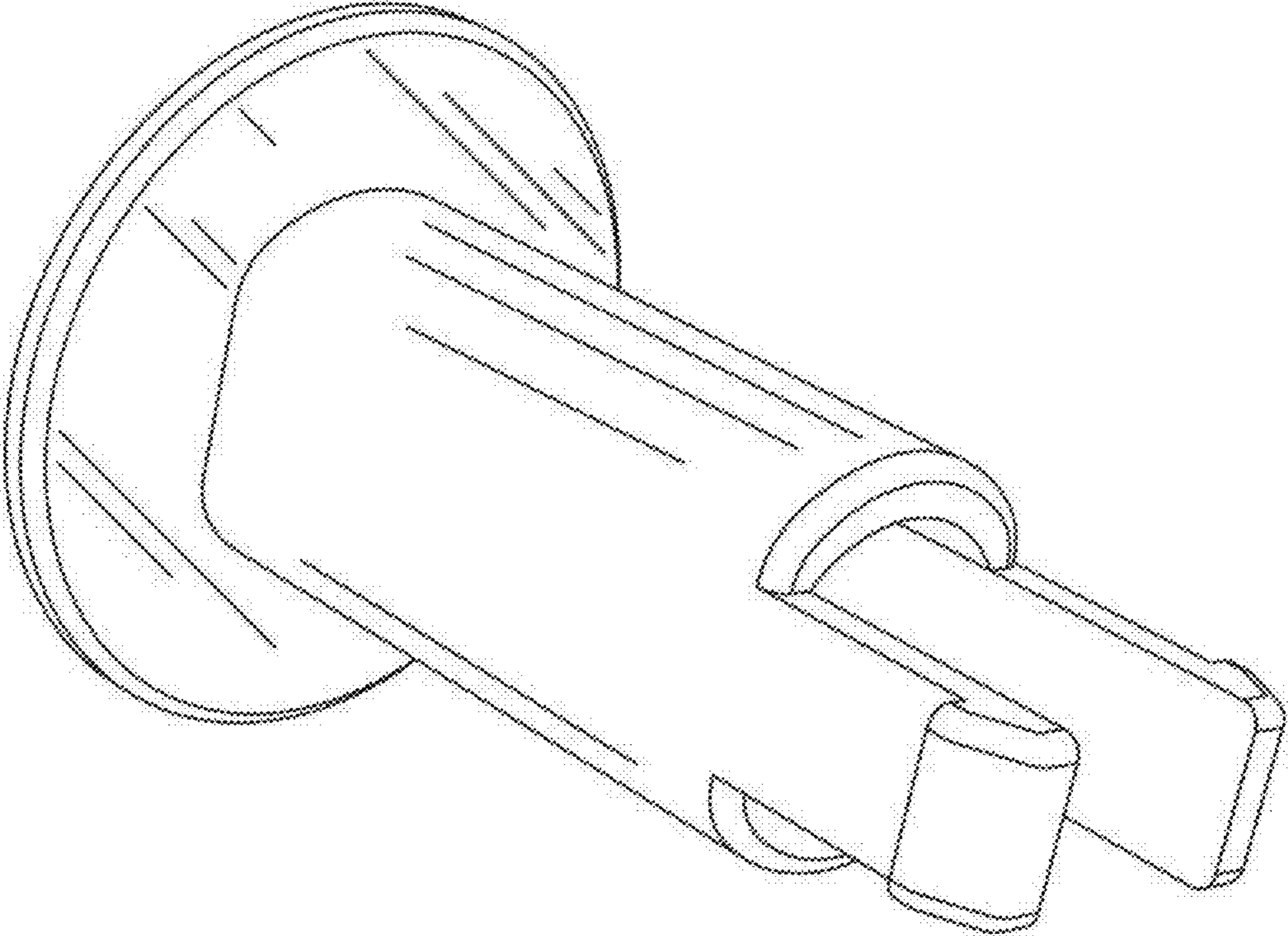


Fig. 29

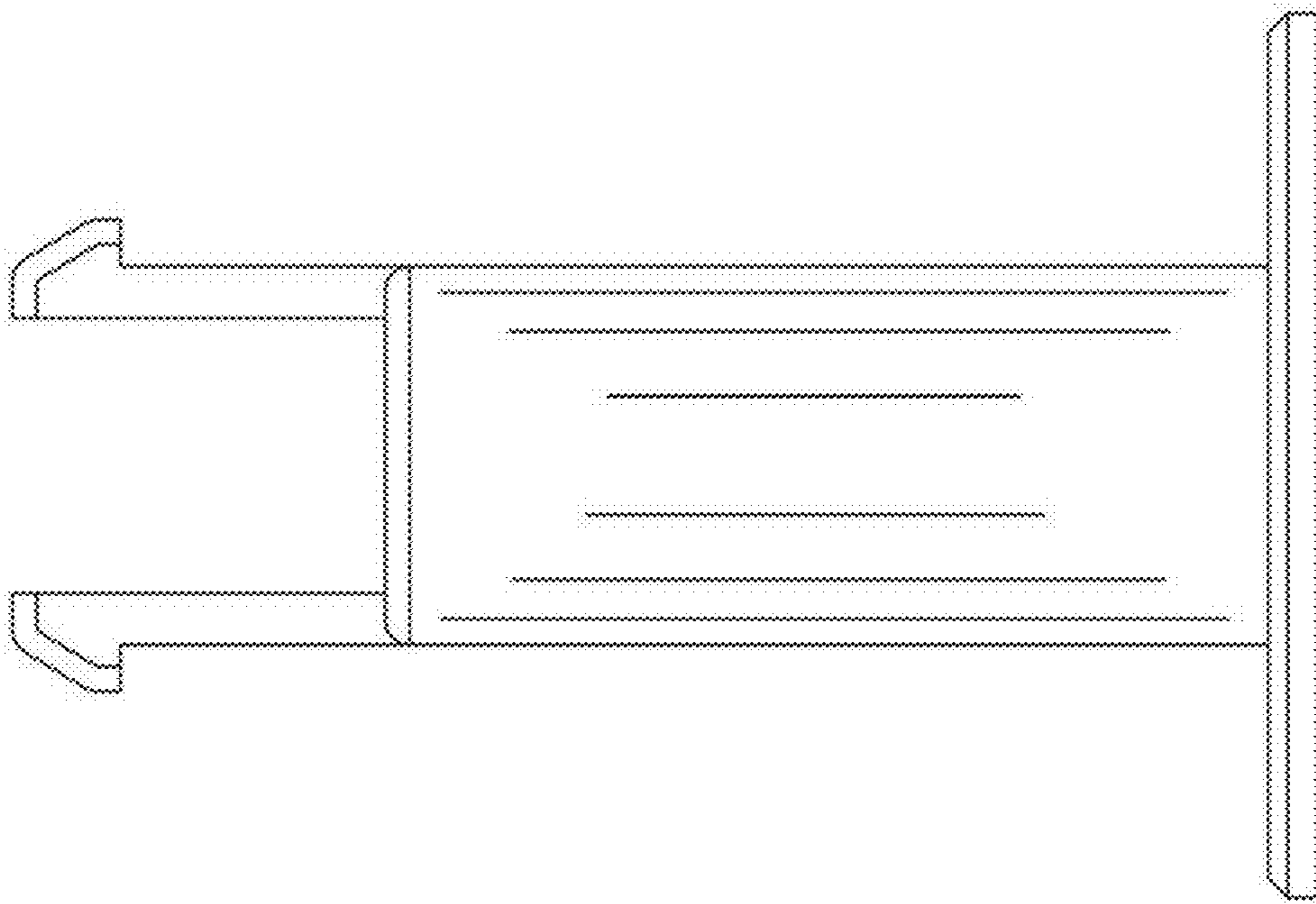


Fig. 30

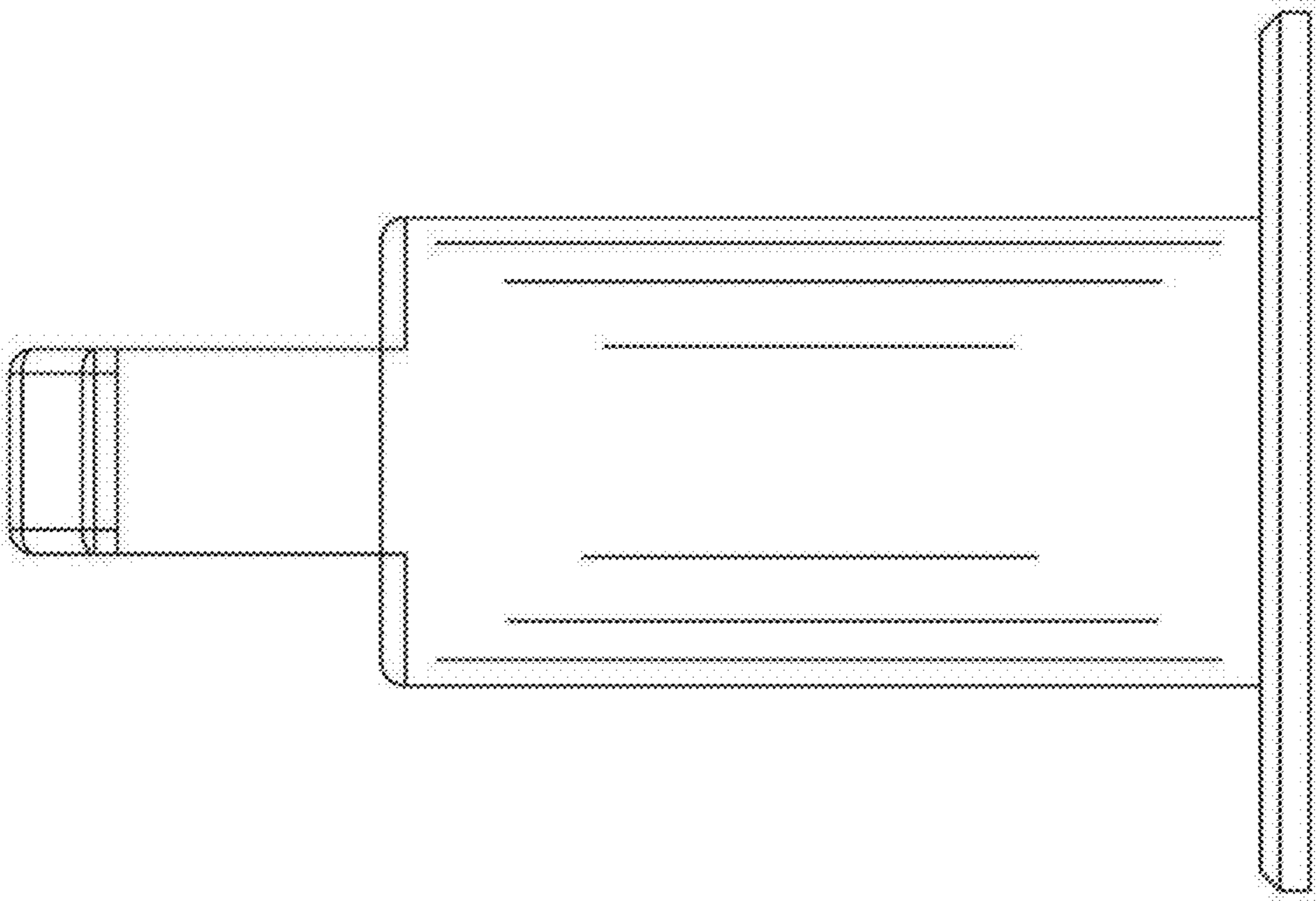


Fig. 31

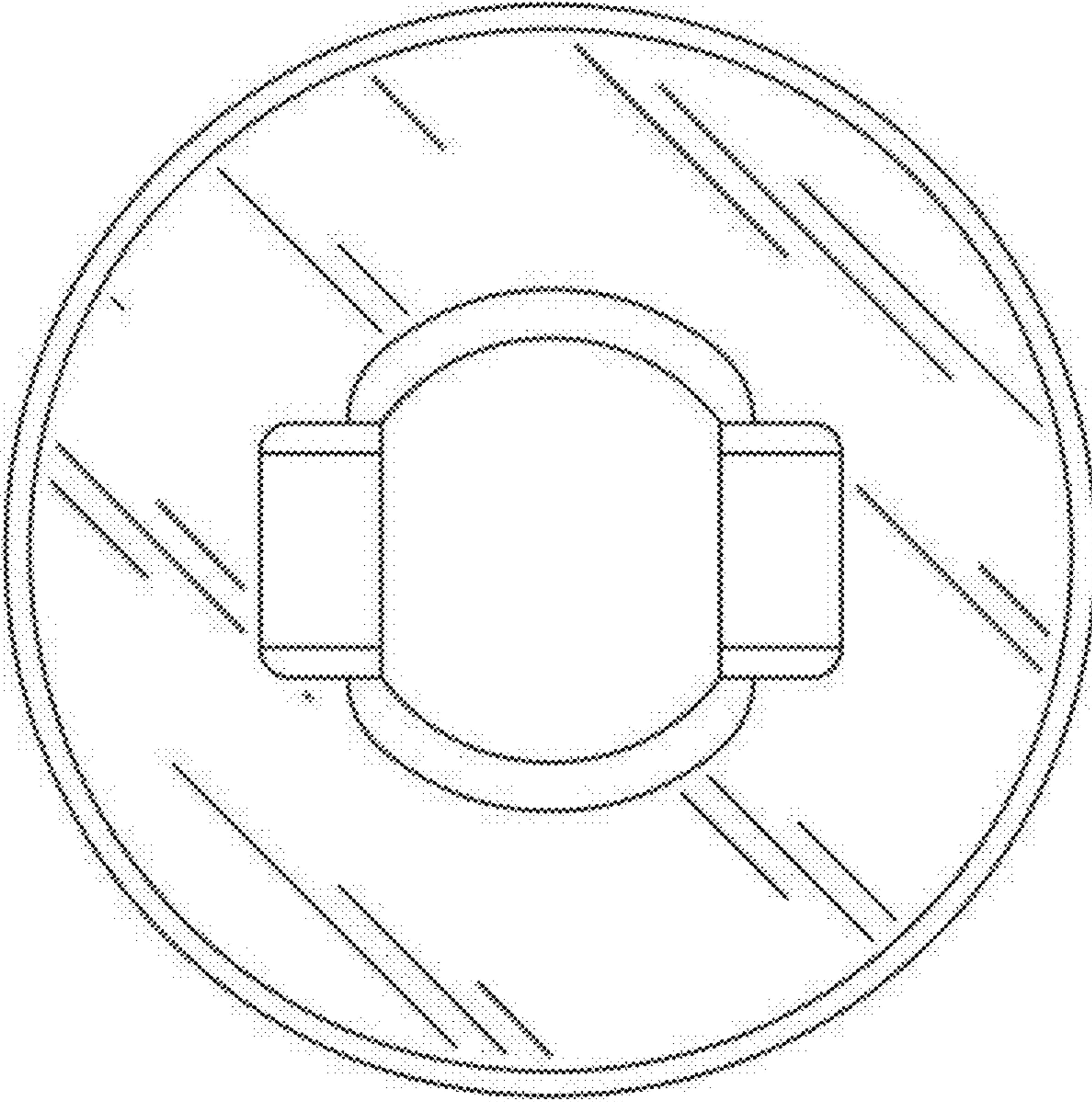


Fig. 32

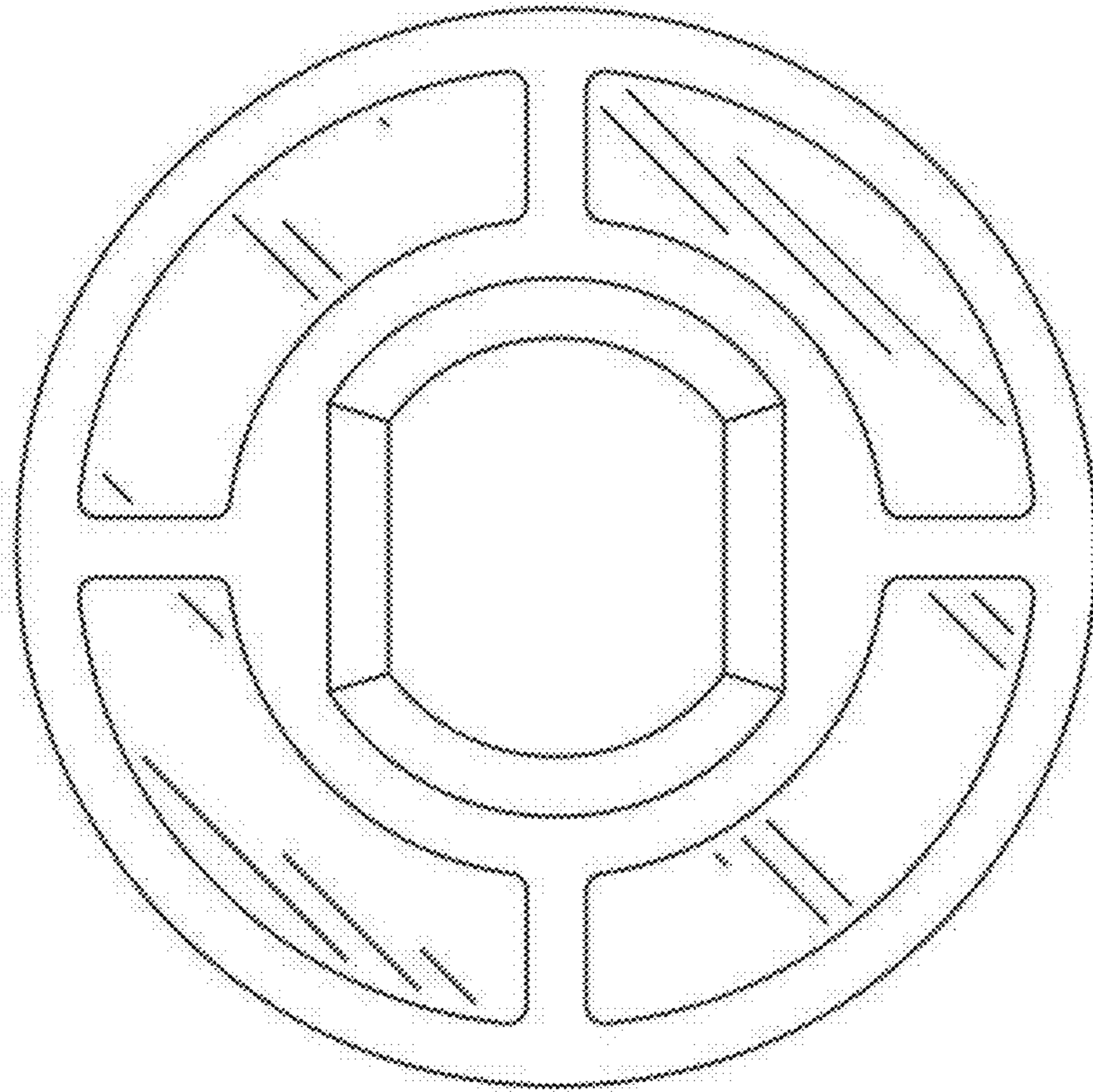


Fig. 33