



US00D685558S

(12) **United States Design Patent**  
**deBlois**

(10) **Patent No.:** **US D685,558 S**

(45) **Date of Patent:** **\*\* Jul. 2, 2013**

(54) **STEAM MOP**

(75) **Inventor:** **Bryan Paul deBlois**, Waltham, MA (US)

(73) **Assignee:** **Euro-Pro Operating LLC**, Newton, MA (US)

(\*\*) **Term:** **14 Years**

(21) **Appl. No.:** **29/417,999**

(22) **Filed:** **Apr. 11, 2012**

(51) **LOC (9) Cl.** ..... **15-05**

(52) **U.S. Cl.**

USPC ..... **D32/45**; D32/22; D32/17

(58) **Field of Classification Search**

USPC ..... D32/21, 22, 31-34, 17, 42, 45, 49,  
D32/50; 15/1.7, 415.1, 416-422.1, 414, 322,  
15/353, 400, 327.1, 319, 366, 383, 179, 182,  
15/41.1, 320, 403, 246.2, 328; 401/137-140,  
401/40-41; 141/20.5

See application file for complete search history.

(56) **References Cited**

**U.S. PATENT DOCUMENTS**

5,054,157	A *	10/1991	Werner et al. ....	15/328
D404,862	S *	1/1999	Johnson .....	D32/50
D487,947	S *	3/2004	Pecci et al. ....	D32/32
7,137,169	B2 *	11/2006	Murphy et al. ....	15/320
7,163,349	B2 *	1/2007	Policicchio et al. ....	401/137
D563,068	S *	2/2008	Jiang et al. ....	D32/50
D574,565	S *	8/2008	Harper et al. ....	D32/50
D585,615	S *	1/2009	enyuva .....	D32/50
7,520,015	B1 *	4/2009	Ajello .....	15/1.7
D591,921	S	5/2009	Rosenzweig et al.	
D597,717	S	8/2009	Rosenzweig et al.	
D607,165	S *	12/2009	Libman et al. ....	D32/45

D607,167	S *	12/2009	Libman et al. ....	D32/45
D617,066	S *	6/2010	Koenig et al. ....	D32/50
D625,480	S *	10/2010	Raven .....	D32/50
D631,217	S *	1/2011	Lavy .....	D32/45
D656,283	S *	3/2012	Lavy .....	D32/45
D657,515	S *	4/2012	McGee et al. ....	D32/45
D657,516	S *	4/2012	McGee et al. ....	D32/45
D657,517	S	4/2012	McGee et al.	
D657,518	S *	4/2012	McGee et al. ....	D32/45
D658,835	S	5/2012	Houghton	
D659,924	S *	5/2012	McGee et al. ....	D32/45
D660,533	S *	5/2012	Hill et al. ....	D32/45
D661,036	S *	5/2012	Raven .....	D32/45
D673,337	S *	12/2012	Chow .....	D32/45

\* cited by examiner

*Primary Examiner* — Ruth McInroy

(74) *Attorney, Agent, or Firm* — Iandiorio Teska & Coleman, LLP

(57) **CLAIM**

The ornamental design of a steam mop, as shown and described.

**DESCRIPTION**

FIG. 1 is a perspective view of a steam mop in accordance with the present design;

FIG. 2 is a front perspective view thereof;

FIG. 3 is a rear perspective view thereof;

FIG. 4 is a left side elevational view thereof;

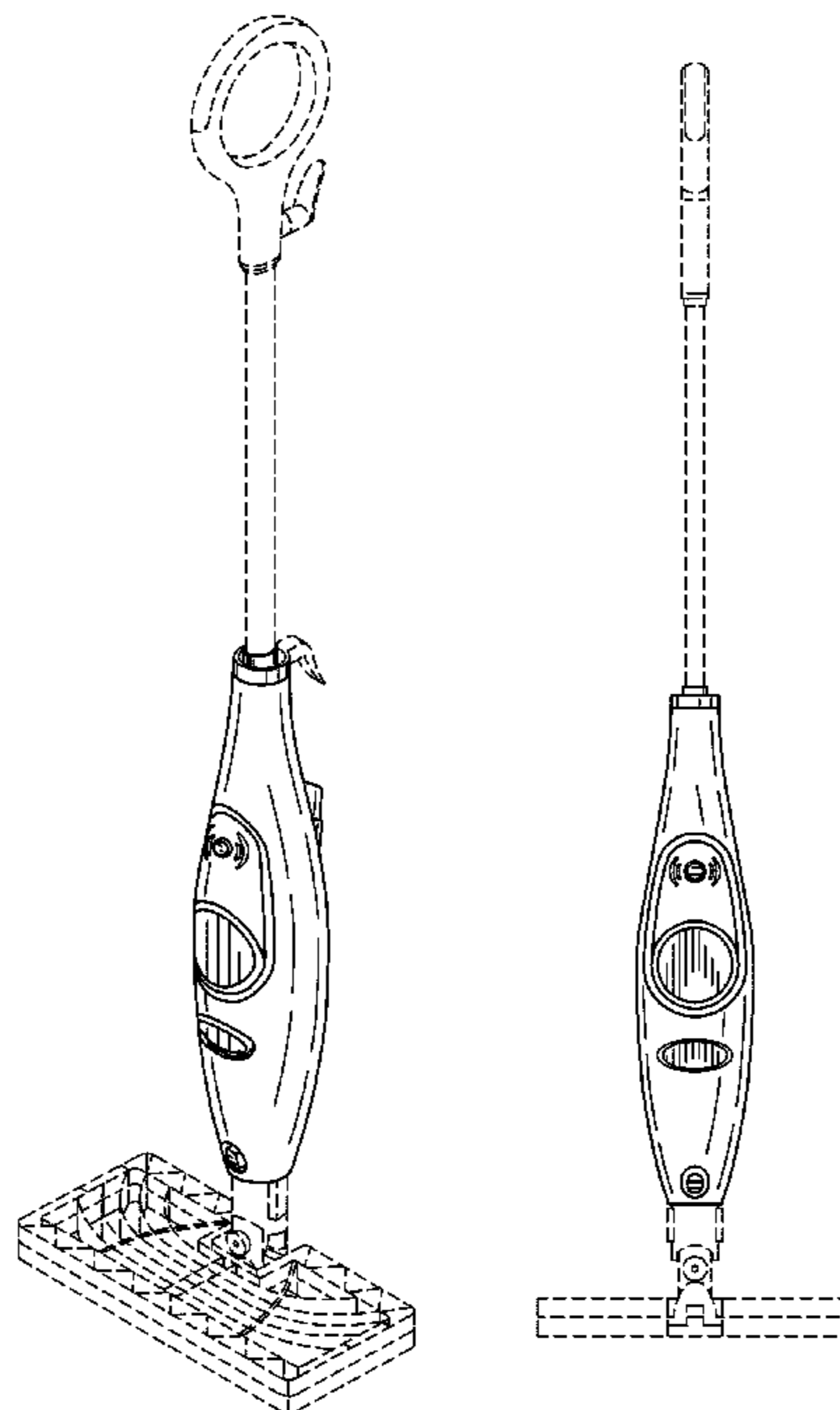
FIG. 5 is a right side elevational view thereof;

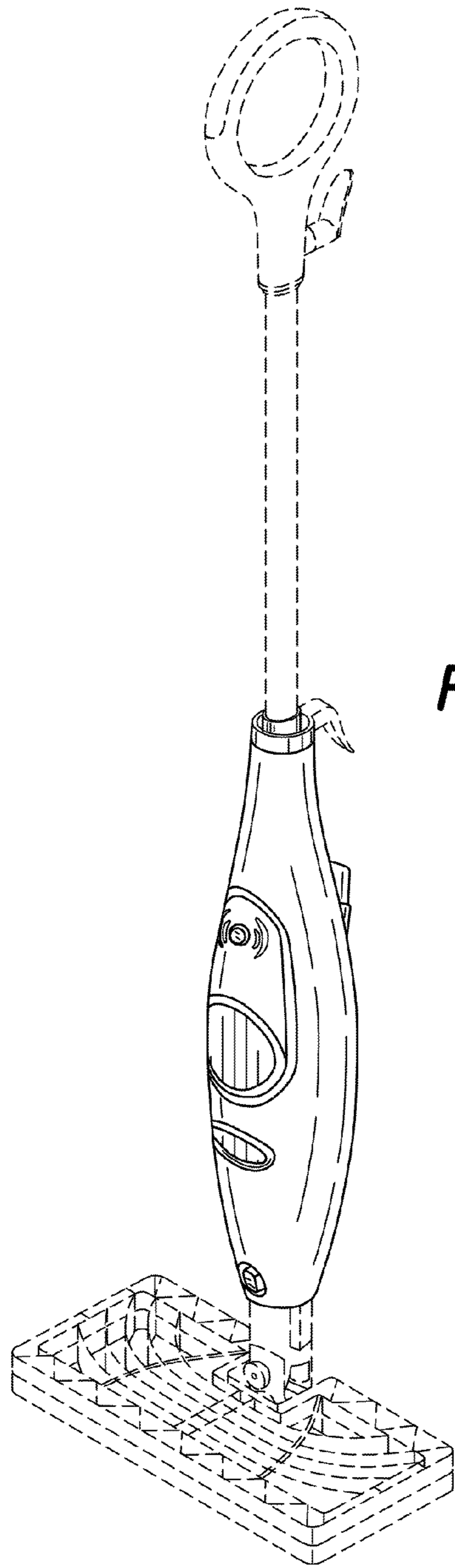
FIG. 6 is a top plan view thereof; and,

FIG. 7 is a bottom plan view thereof.

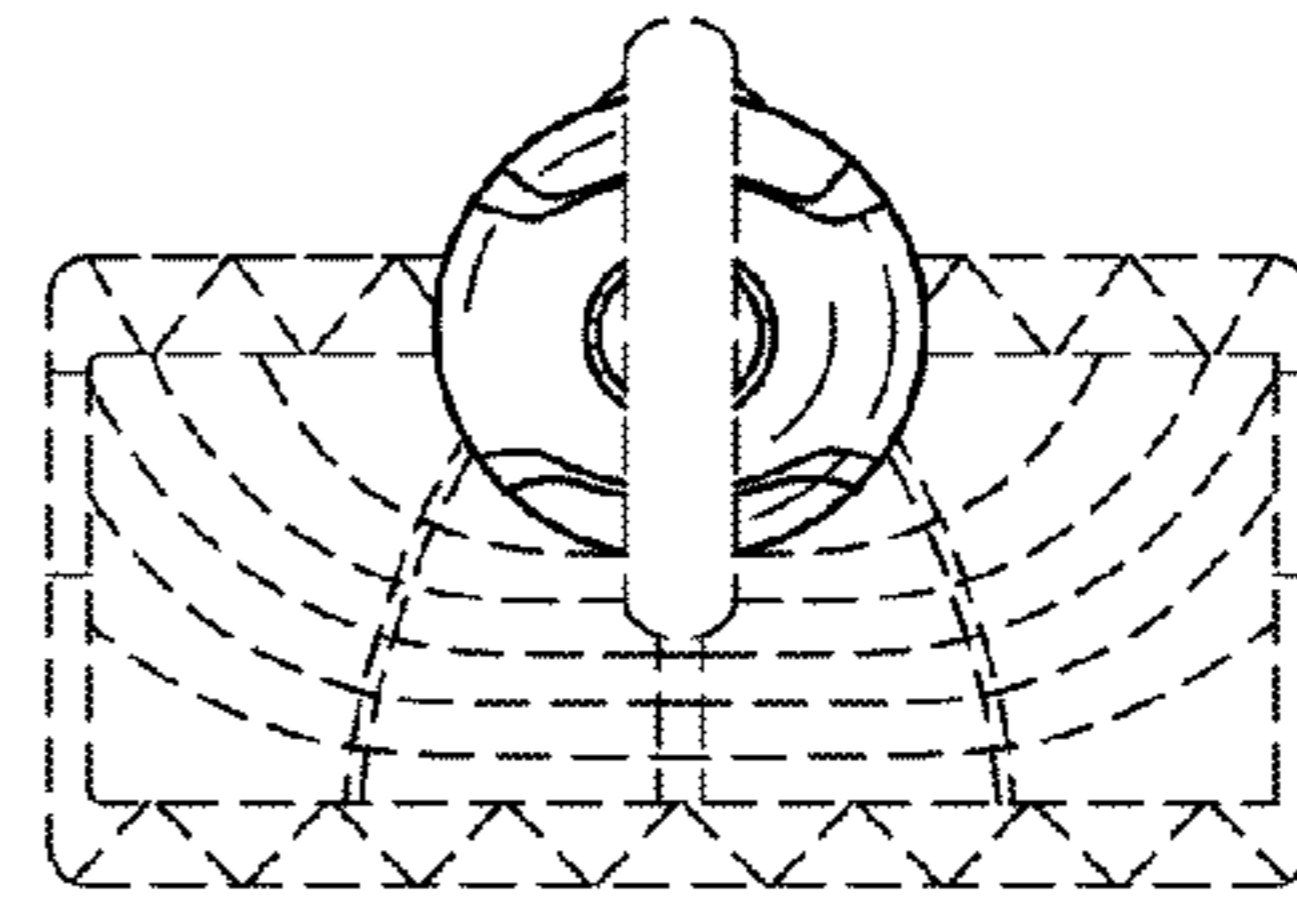
The broken lines are for illustrative purposes only and form no part of the claimed design.

**1 Claim, 3 Drawing Sheets**

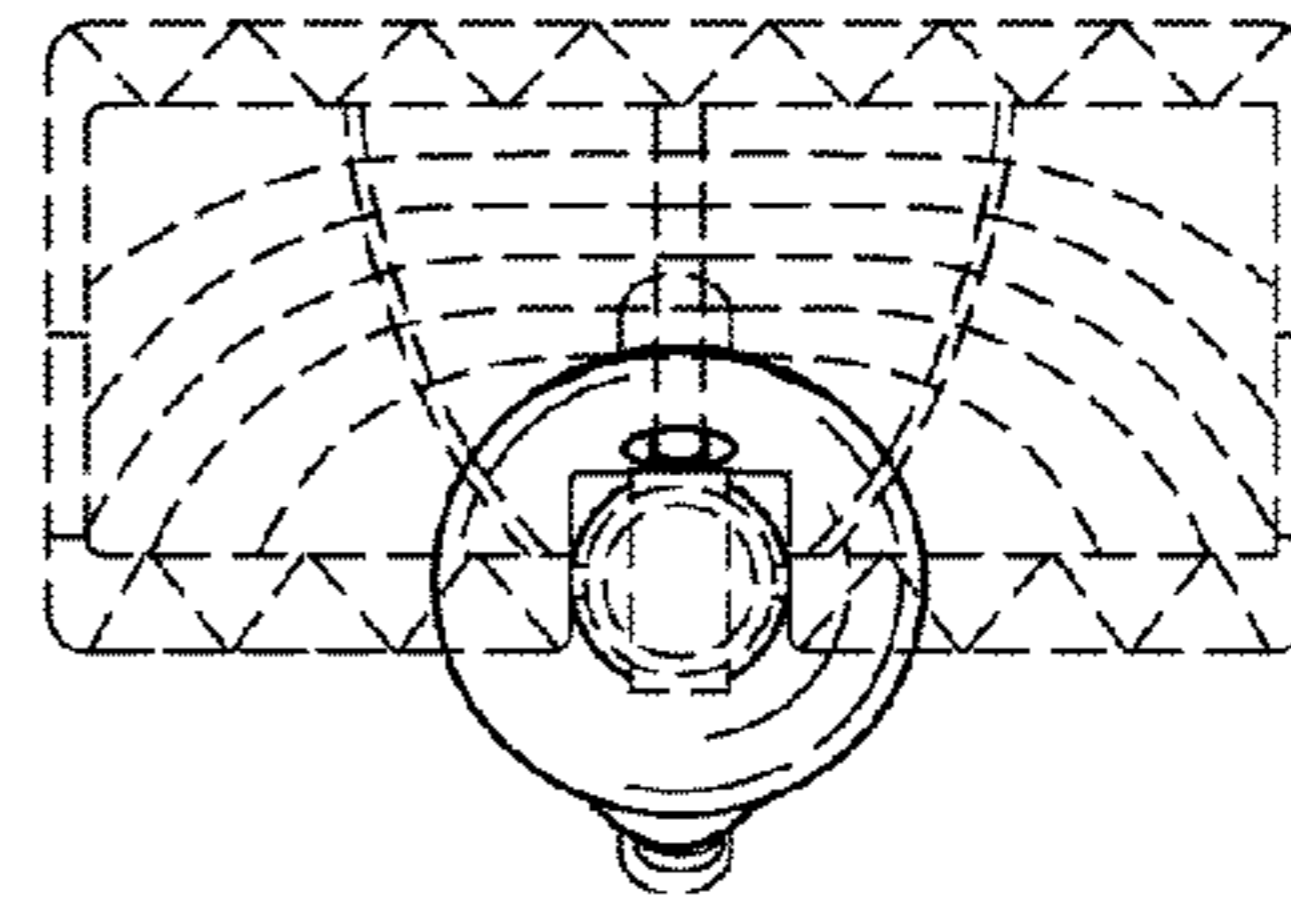




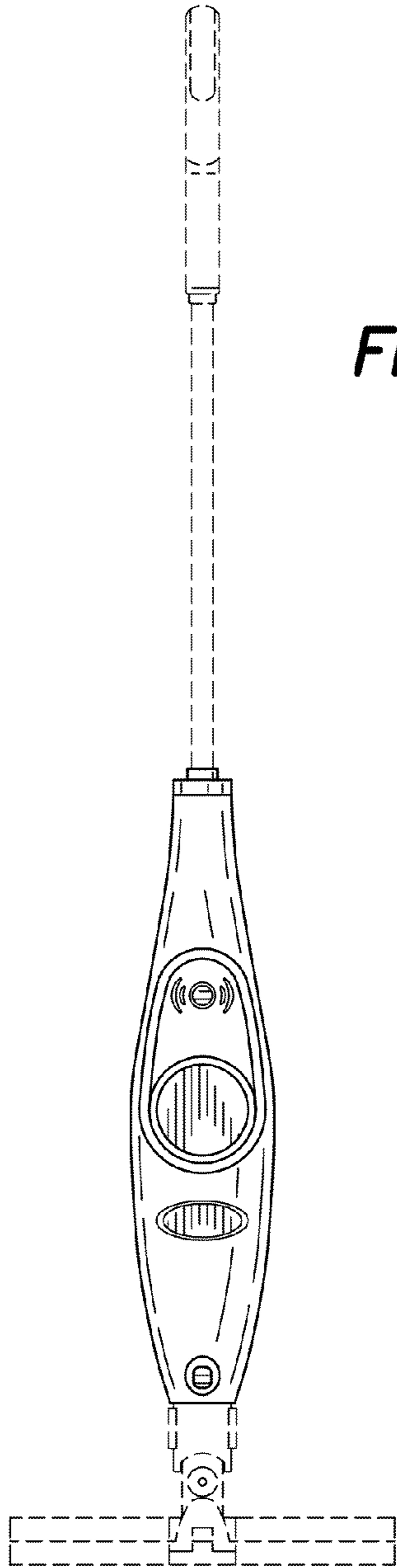
**FIG. 1**



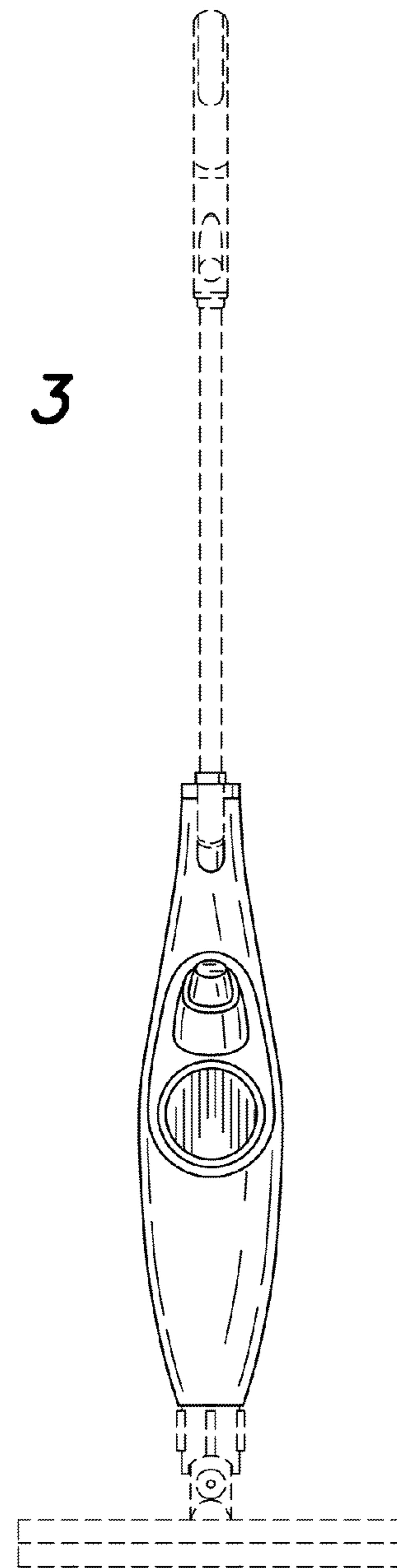
**FIG. 6**



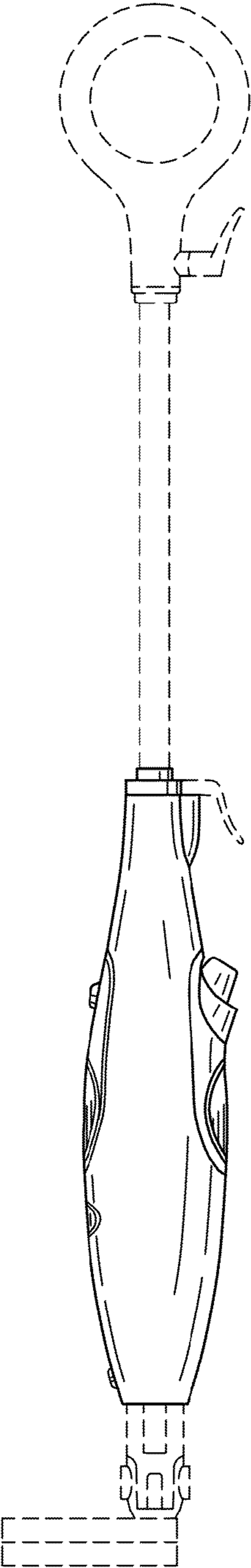
**FIG. 7**



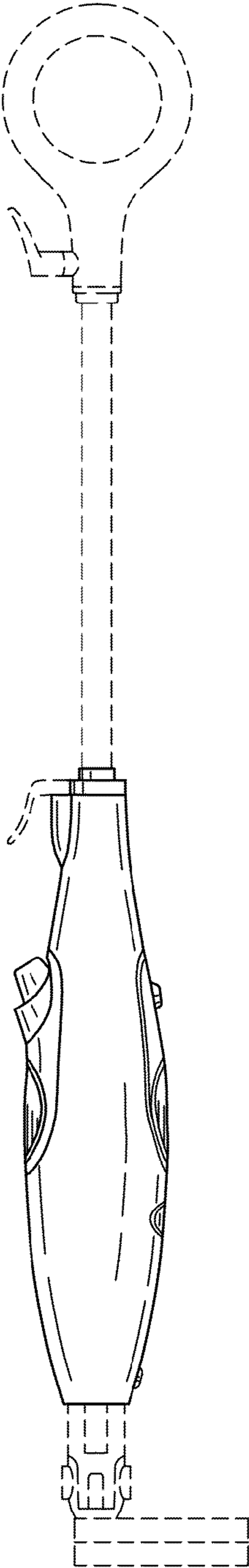
*FIG. 2*



*FIG. 3*



**FIG. 4**



**FIG. 5**