



US00D685557S

(12) **United States Design Patent**
Rosenzweig

(10) **Patent No.:** **US D685,557 S**
(45) **Date of Patent:** **** Jul. 2, 2013**

- (54) **STEAM MOP**
- (75) Inventor: **Mark Rosenzweig**, Chestnut Hill, MA (US)
- (73) Assignee: **Euro-Pro Operating LLC**, Newton, MA (US)
- (**) Term: **14 Years**
- (21) Appl. No.: **29/400,657**
- (22) Filed: **Aug. 31, 2011**
- (51) **LOC (9) Cl.** **04-01**
- (52) **U.S. Cl.**
USPC **D32/45**
- (58) **Field of Classification Search**
USPC D32/40-45, 50, 51; 401/137-140; 15/228
See application file for complete search history.

D505,762 S	5/2005	Lalanne et al.	
D510,467 S	10/2005	Kizaki et al.	
6,979,371 B1	12/2005	Policicchio et al.	
D514,267 S	1/2006	Tsai	
D515,759 S	2/2006	Fischer	
D591,921 S	5/2009	Rosenzweig et al.	
D597,717 S	8/2009	Rosenzweig et al.	
D602,664 S *	10/2009	Crawford et al.	D32/40
D631,217 S	1/2011	Lavy	
D657,516 S *	4/2012	McGee et al.	D32/45
D659,924 S *	5/2012	McGee et al.	D32/45
D661,035 S *	5/2012	McGee et al.	D32/45

* cited by examiner

Primary Examiner — Robin V Webster
(74) *Attorney, Agent, or Firm* — Wolf, Greenfield & Sacks, P.C.

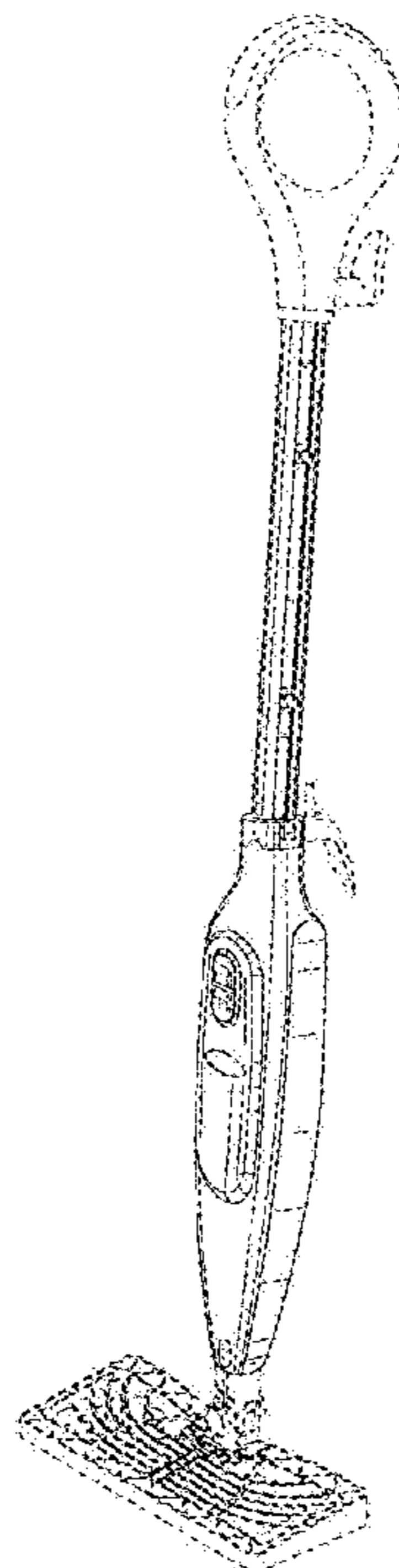
(57) **CLAIM**
The ornamental design for a steam mop, as shown and described.

DESCRIPTION

FIG. 1 is a perspective view of a steam mop in accordance with the present design;
FIG. 2 is a front elevational view thereof;
FIG. 3 is a rear elevational view thereof;
FIG. 4 is a left side elevational view thereof;
FIG. 5 is a right side elevational view thereof;
FIG. 6 is a top plan view thereof; and,
FIG. 7 is a bottom plan view thereof.
The broken lines of FIGS. 1-7 illustrative portions of the steam mop that form no part of the claimed design.

1 Claim, 5 Drawing Sheets

- (56) **References Cited**
- U.S. PATENT DOCUMENTS
- D296,486 S 6/1988 Staubitz et al.
- D362,937 S 10/1995 Camp, Jr. et al.
- 5,455,980 A 10/1995 Buchanan
- D391,715 S 3/1998 Irwin et al.
- D398,099 S 9/1998 Leung
- D401,703 S 11/1998 Beechuk et al.
- 6,045,622 A 4/2000 Holt et al.
- D466,786 S 12/2002 Bourgeois et al.
- 6,588,045 B2 7/2003 Fernandez
- 6,601,261 B1 8/2003 Holt et al.
- D497,699 S 10/2004 Chi-Hsiang et al.
- 6,871,372 B2 3/2005 Vosbikian et al.



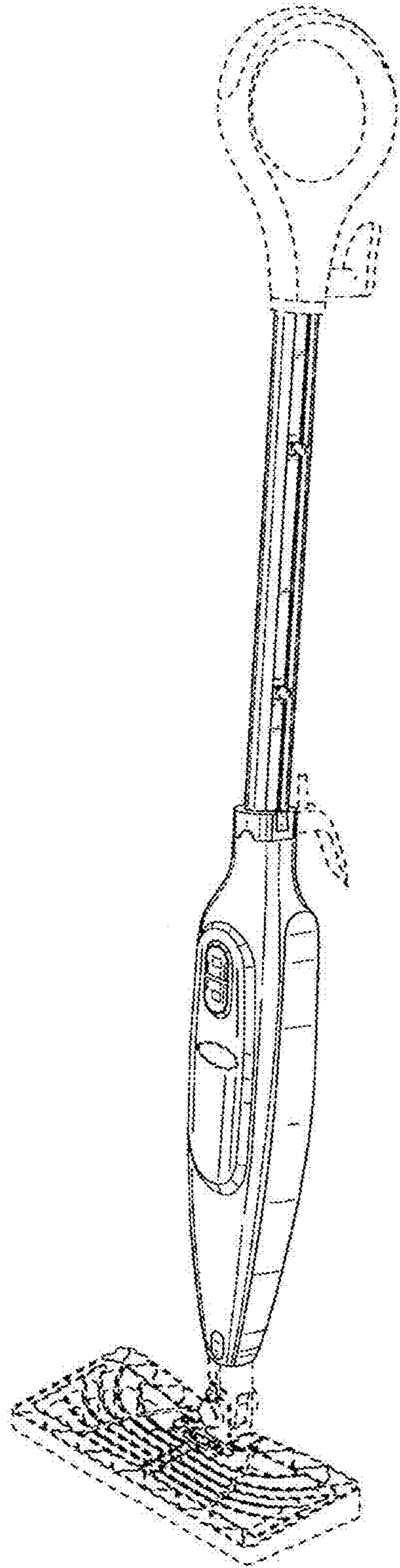


FIG. 1

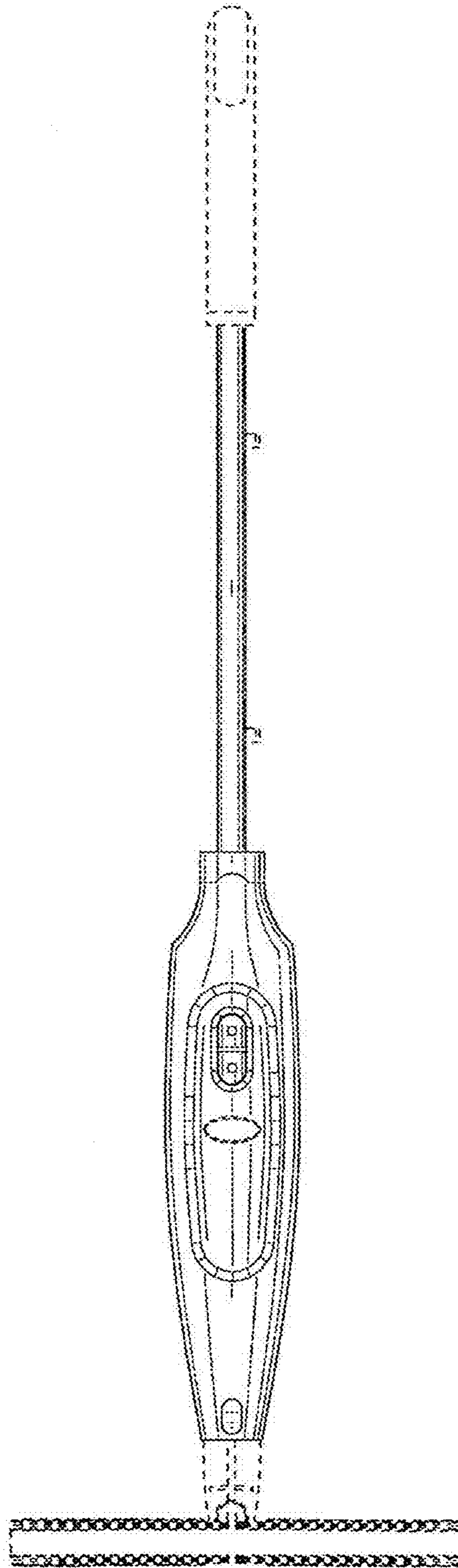


FIG. 2

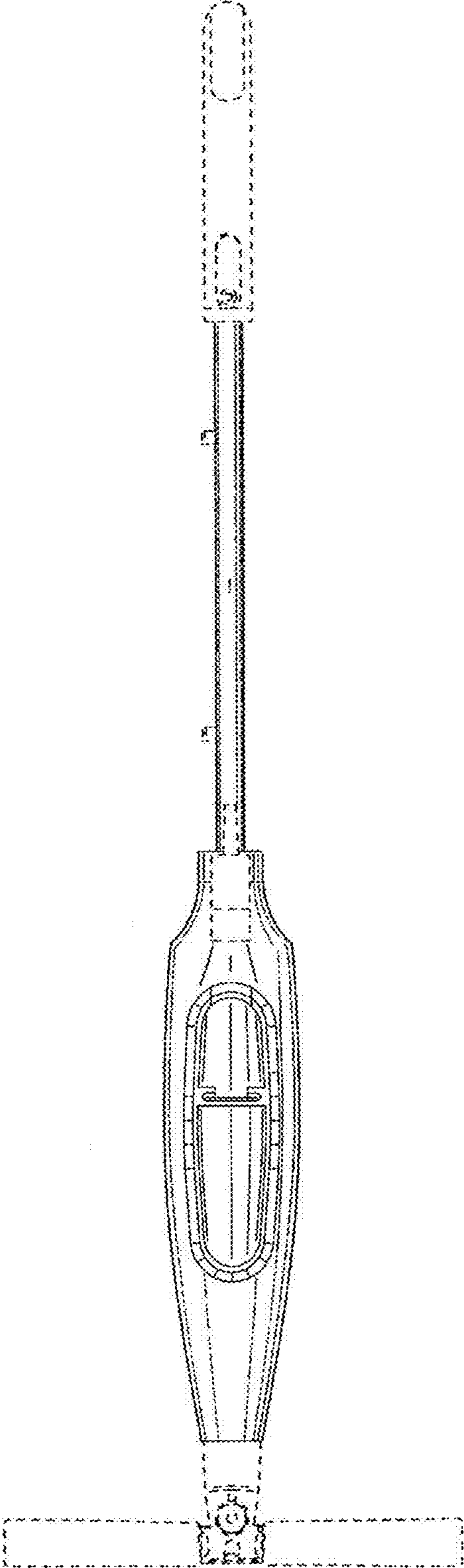


FIG. 3

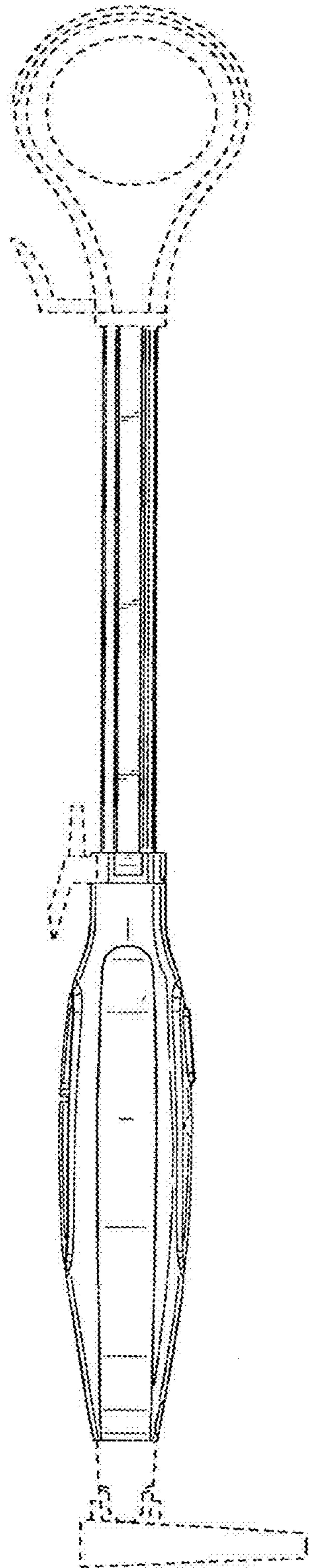


FIG. 4

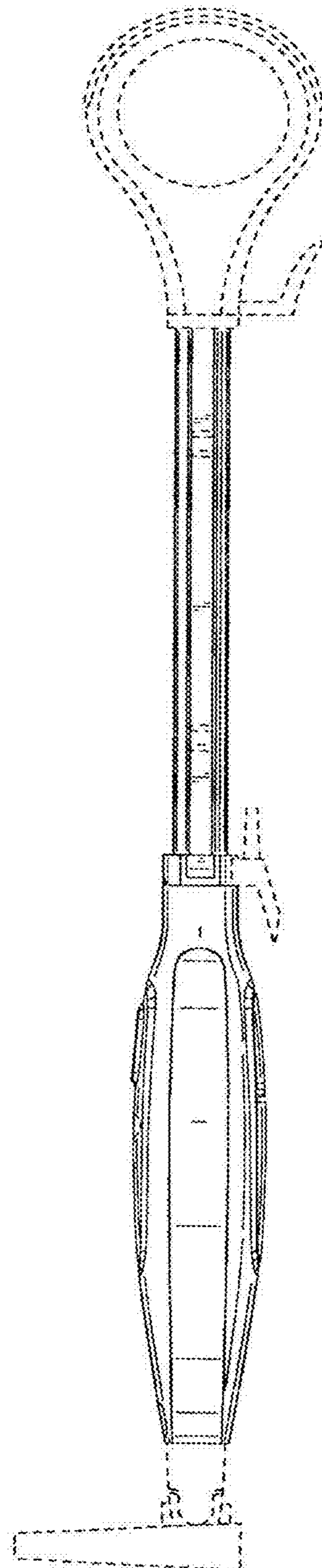


FIG. 5

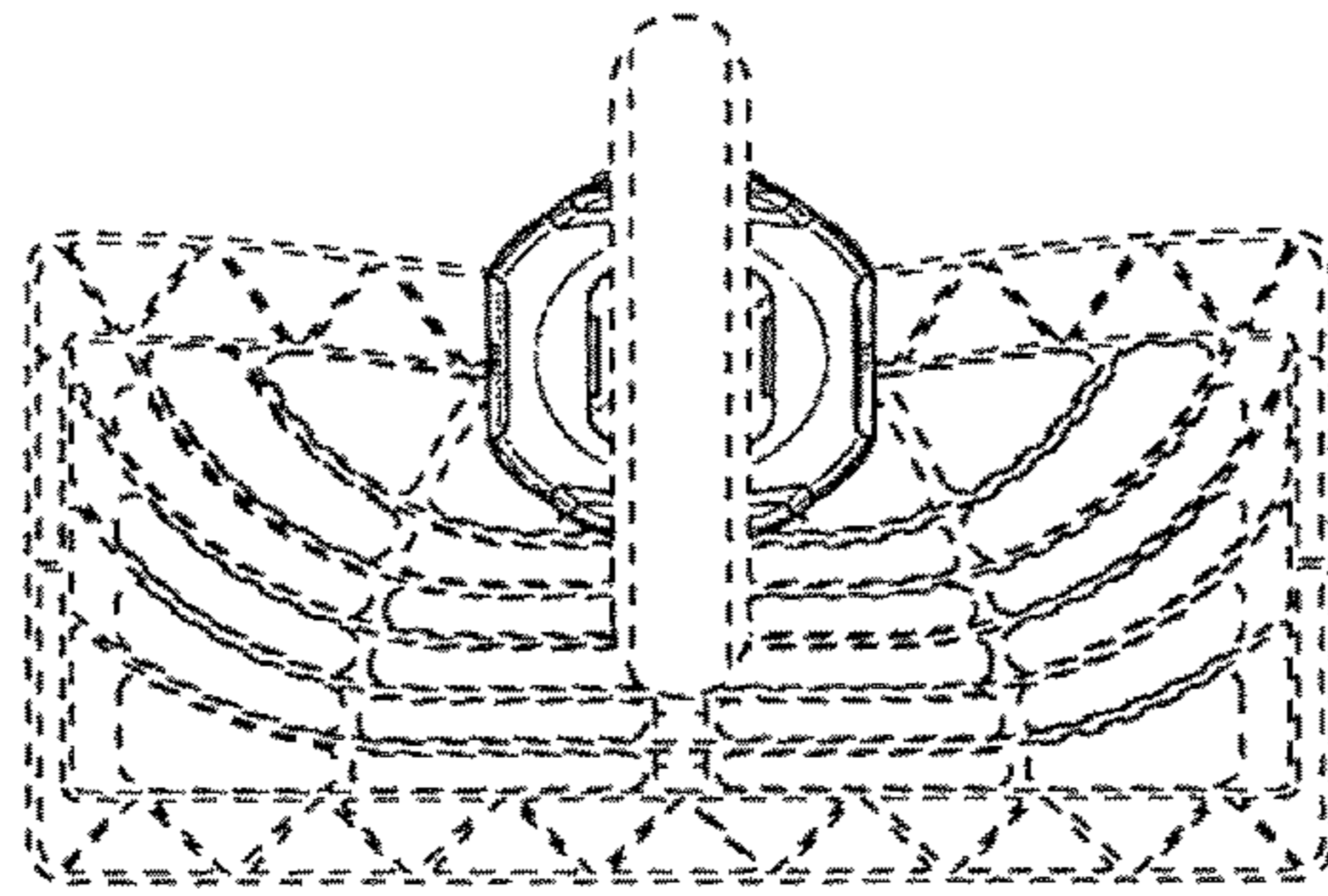


FIG. 6

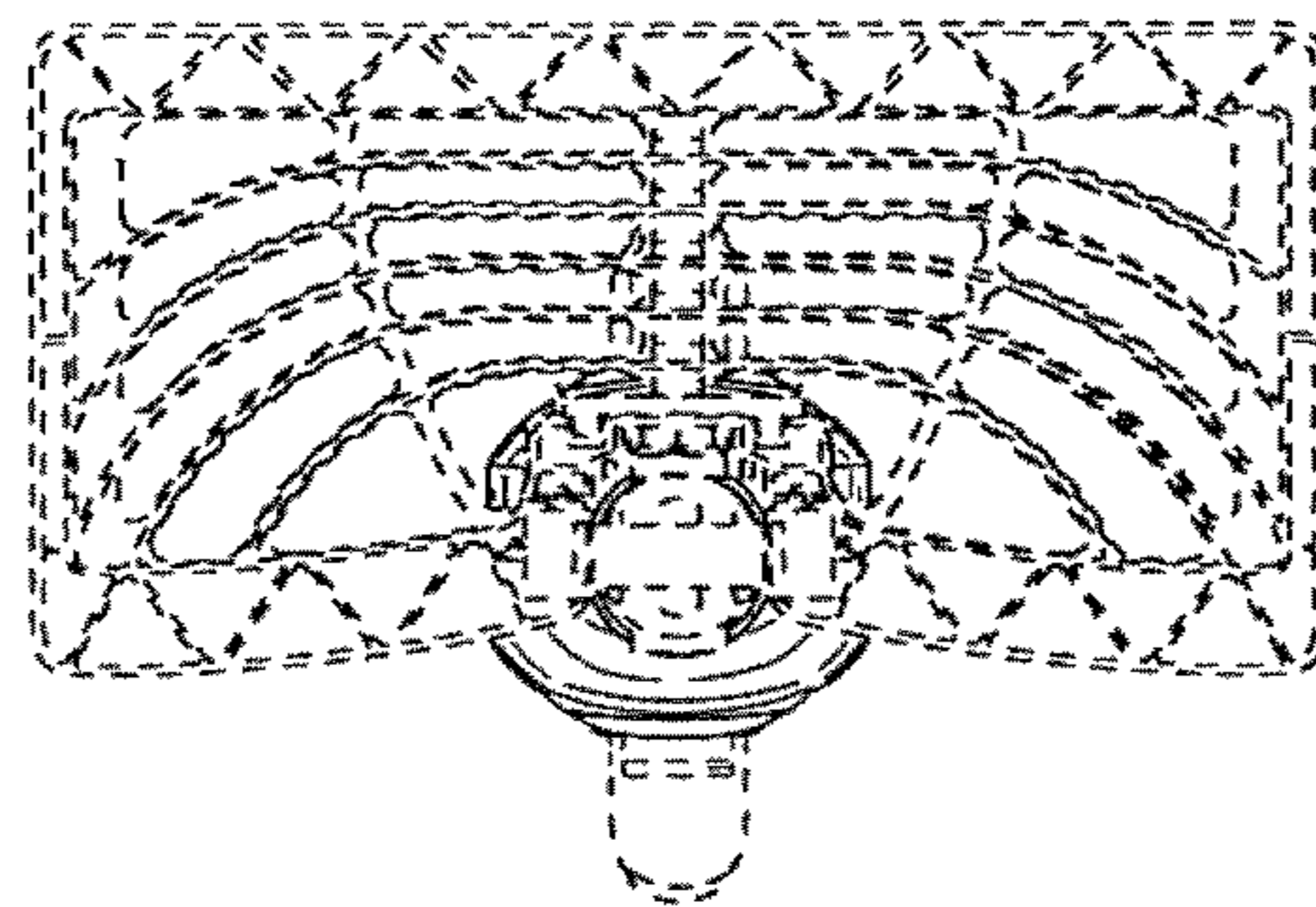


FIG. 7

UNITED STATES PATENT AND TRADEMARK OFFICE
CERTIFICATE OF CORRECTION

PATENT NO. : D685,557 S
APPLICATION NO. : 29/400657
DATED : July 2, 2013
INVENTOR(S) : Mark Rosenzweig

Page 1 of 1

It is certified that error appears in the above-identified patent and that said Letters Patent is hereby corrected as shown below:

On the title page the last paragraph of the Description, should read:

--The broken lines of FIGs. 1-7 illustrate portions of the Steam Mop that form no part of the claimed design.--

Signed and Sealed this
Thirteenth Day of August, 2013



Teresa Stanek Rea
Acting Director of the United States Patent and Trademark Office