



US00D685550S

(12) **United States Design Patent**
Tronconi et al.

(10) **Patent No.:** **US D685,550 S**

(45) **Date of Patent:** **** Jul. 2, 2013**

(54) **CLEANING TOOL**

(56) **References Cited**

(75) Inventors: **Valentina Tronconi**, Milan (IT);
Michael C. Molinet, Woodbury, MN
(US); **Kayo M. Roehm**, Shoreview, MN
(US); **Lorenzo Ruggieri**, Milan (IT);
Roberto Manzari, Milan (IT); **Antonio
Pugliese**, Pomigliano d'Arco (IT)

U.S. PATENT DOCUMENTS

D318,157 S *	7/1991	Perior	D32/41
D360,505 S *	7/1995	Goodman et al.	D32/41
D464,182 S *	10/2002	Vosbikian	D32/41
D469,230 S *	1/2003	Libman et al.	D32/41
D586,877 S *	2/2009	Li	D32/41
D636,957 S *	4/2011	Raven	D32/41

* cited by examiner

(73) Assignee: **3M Innovative Properties Company**,
St. Paul, MN (US)

Primary Examiner — Robin V Webster

(74) *Attorney, Agent, or Firm* — Irina Hass

(**) Term: **14 Years**

(57) **CLAIM**

The ornamental design for a cleaning tool, as shown and described.

(21) Appl. No.: **29/426,771**

DESCRIPTION

(22) Filed: **Jul. 10, 2012**

(51) **LOC (9) Cl.** **04-01**

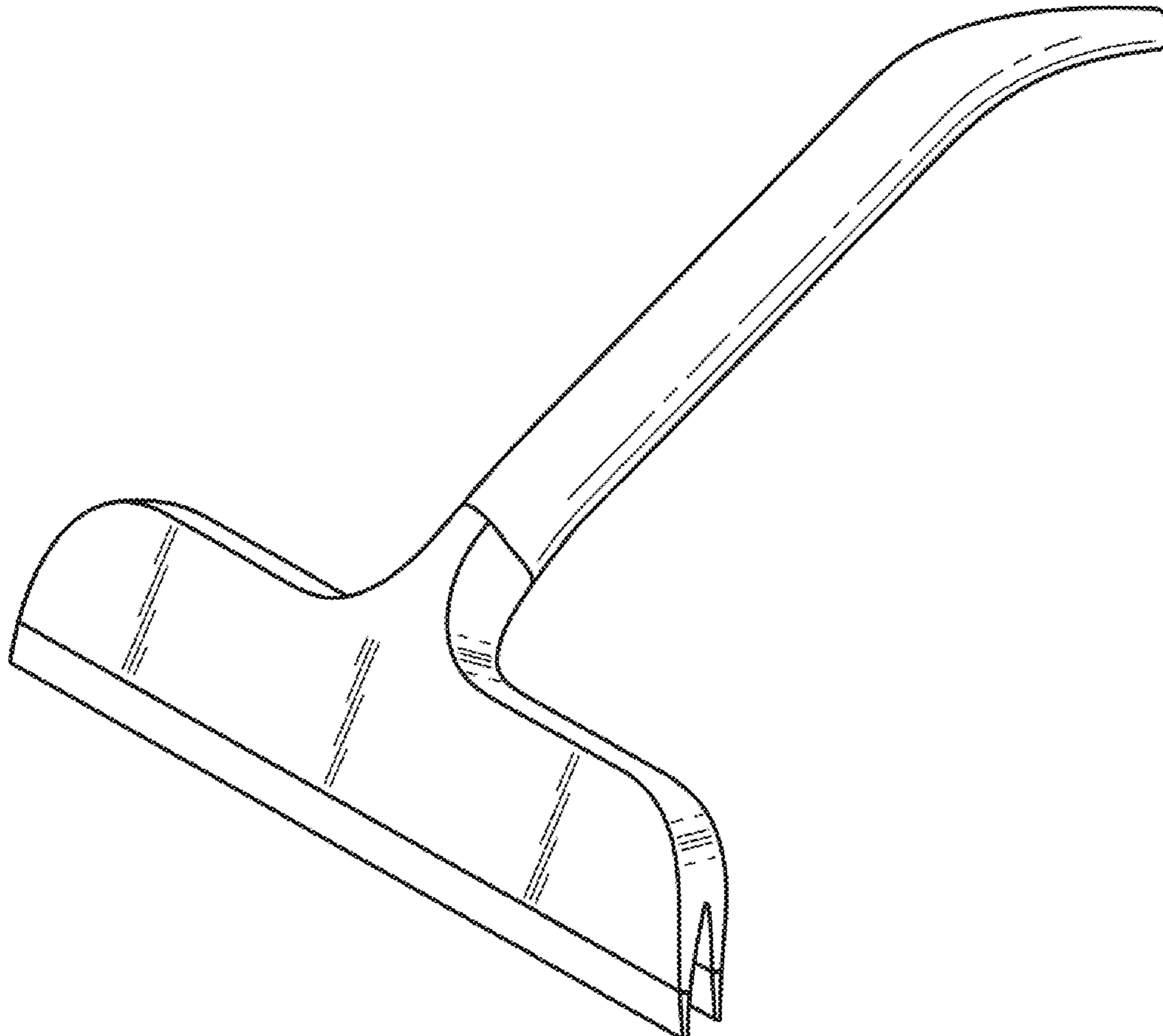
(52) **U.S. Cl.**
USPC **D32/40; D32/41**

(58) **Field of Classification Search**
USPC D32/40-45, 50, 51; 15/245, 245.1,
15/244.1-244.4, 208, 209.1

FIG. 1 is a perspective view showing the new design for a cleaning tool;
FIG. 2 is a front view thereof;
FIG. 3 is a right side view thereof, a left side view being a mirror image thereof;
FIG. 4 is a rear view thereof;
FIG. 5 is a bottom view thereof; and,
FIG. 6 is a top view thereof.

See application file for complete search history.

1 Claim, 2 Drawing Sheets



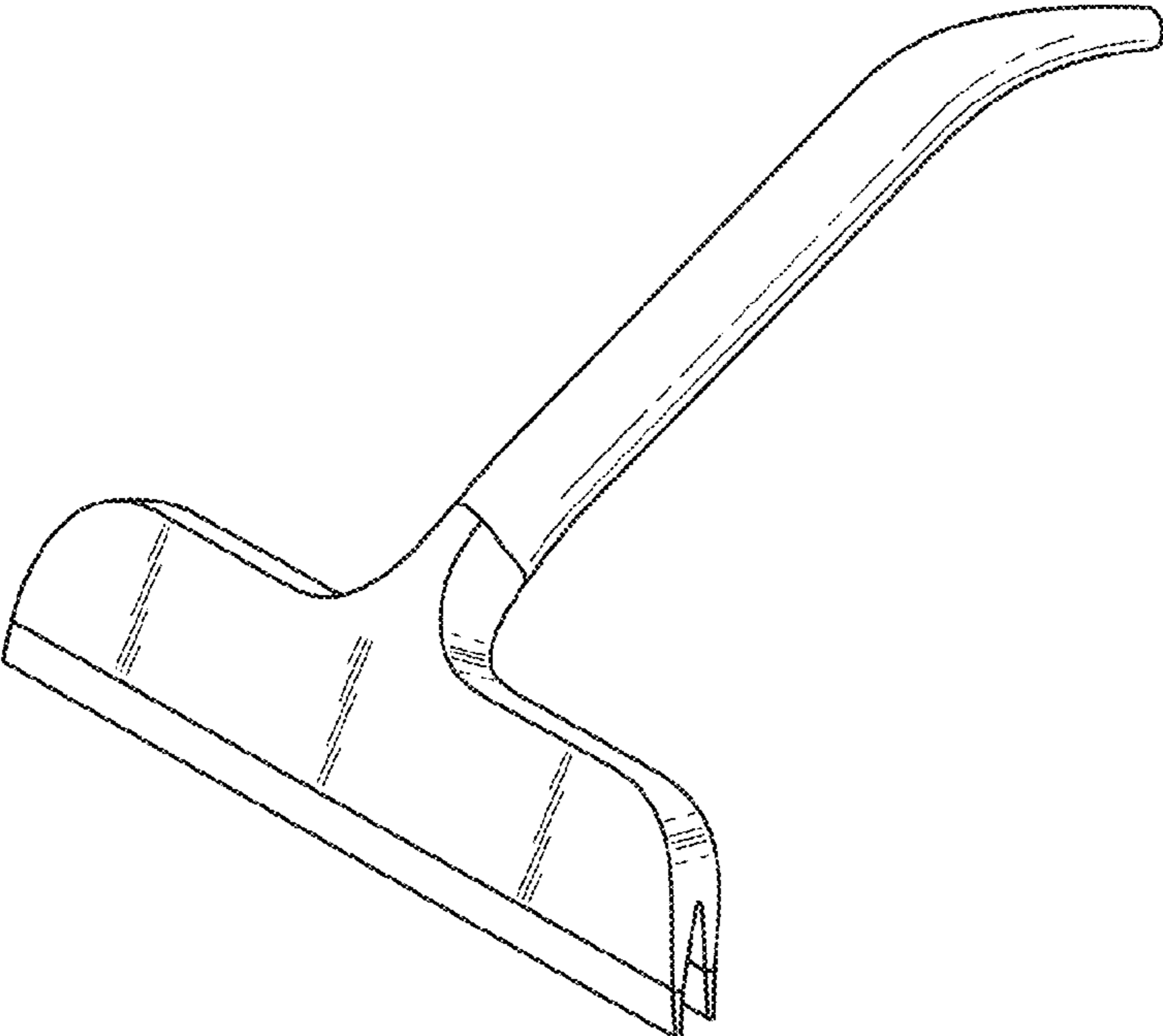


Fig. 1

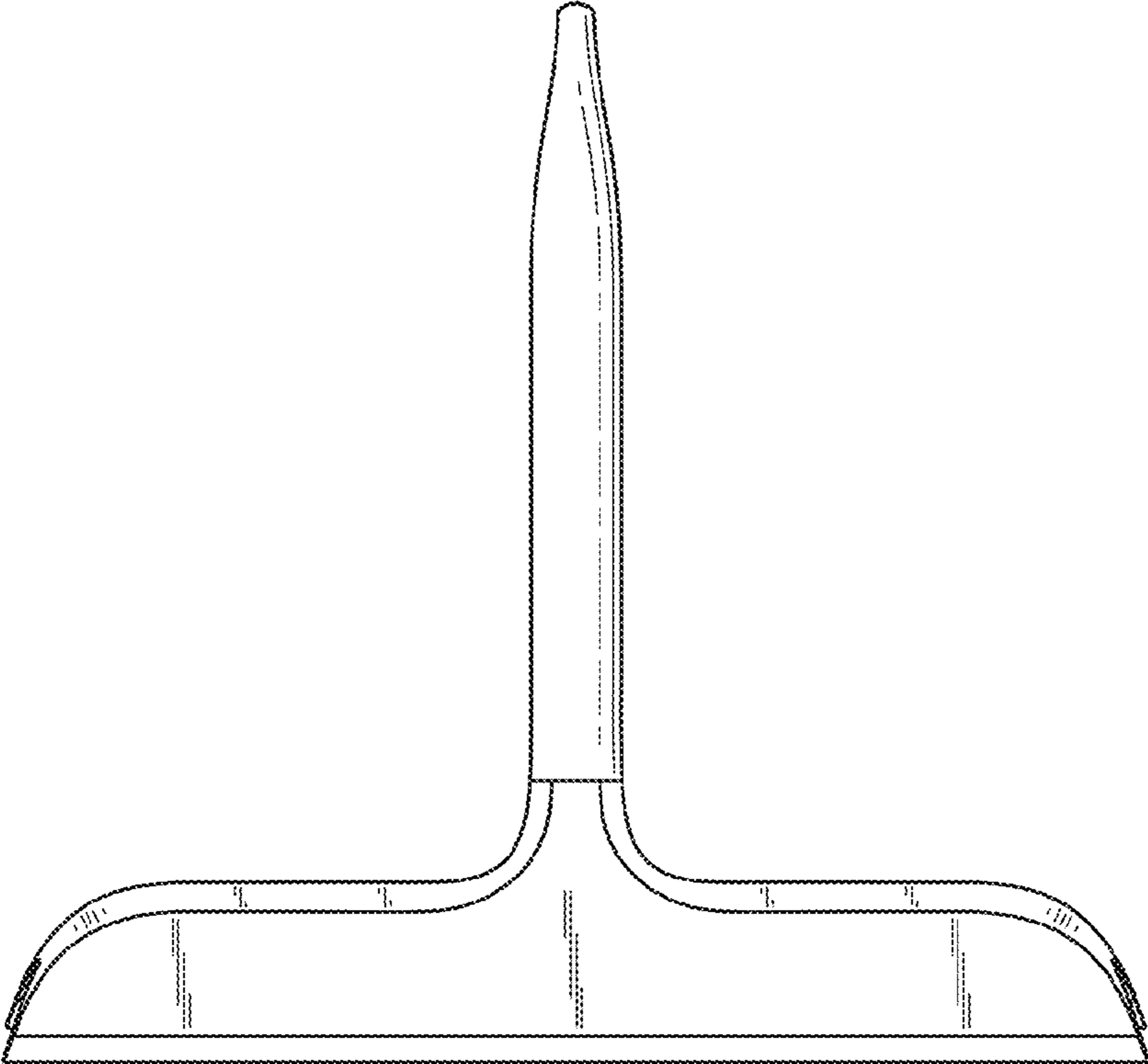


Fig. 2

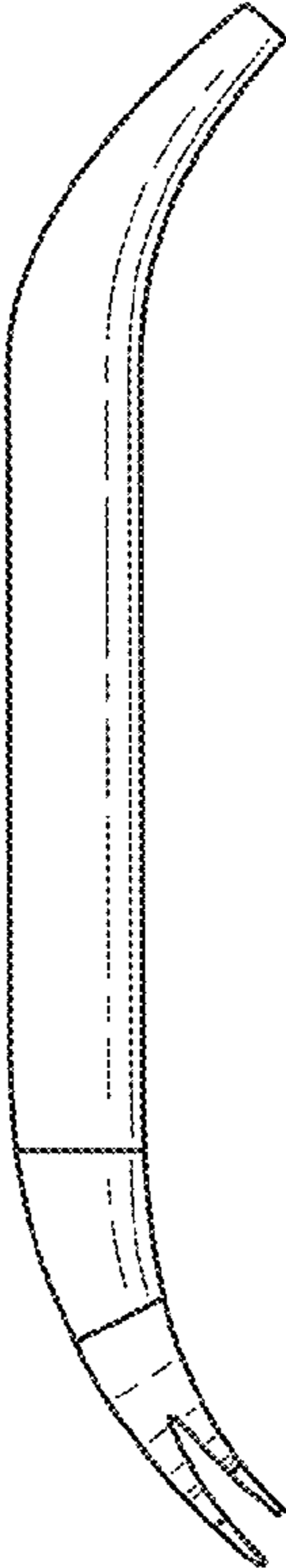


Fig. 3

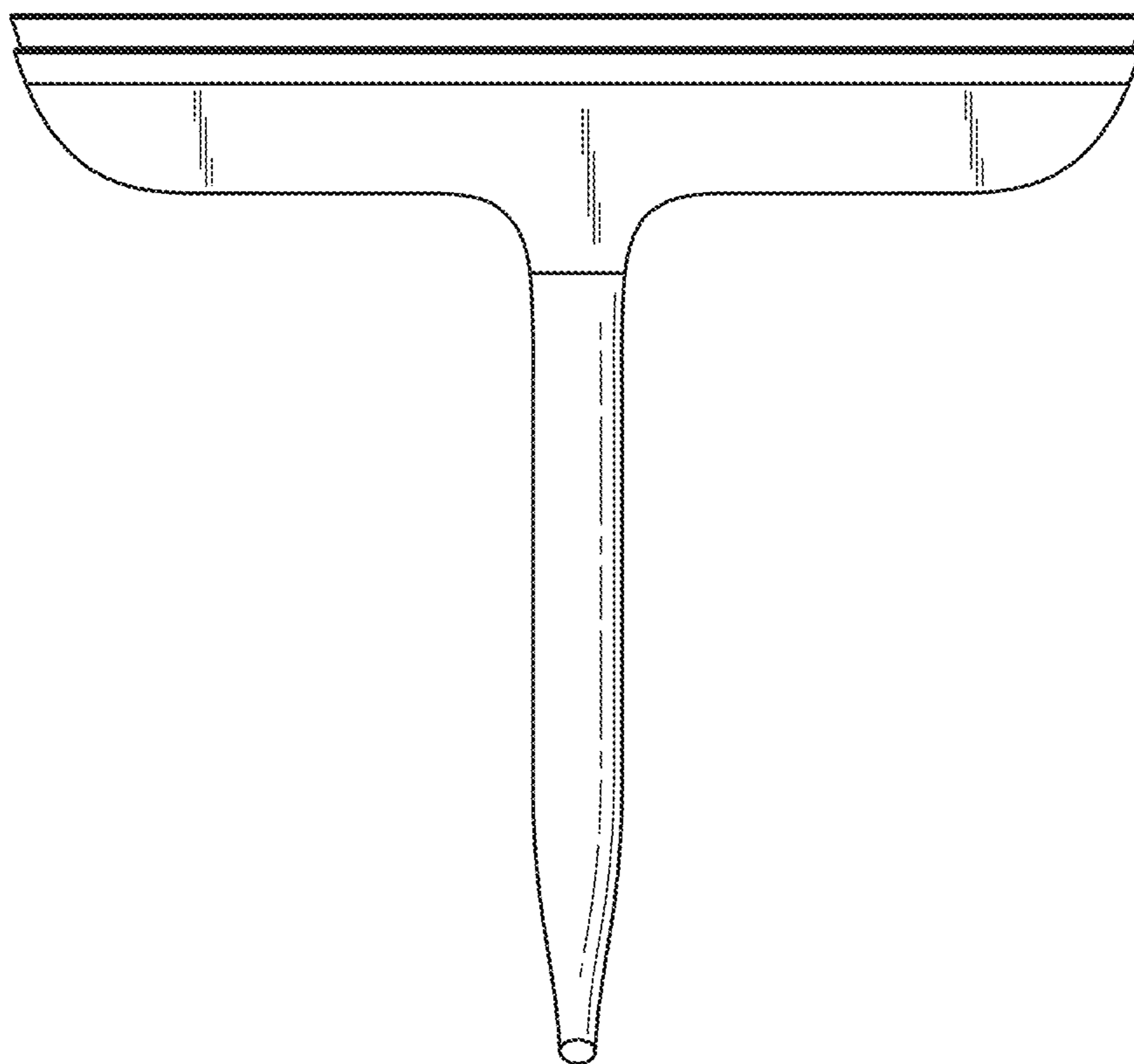


Fig. 4



Fig. 5

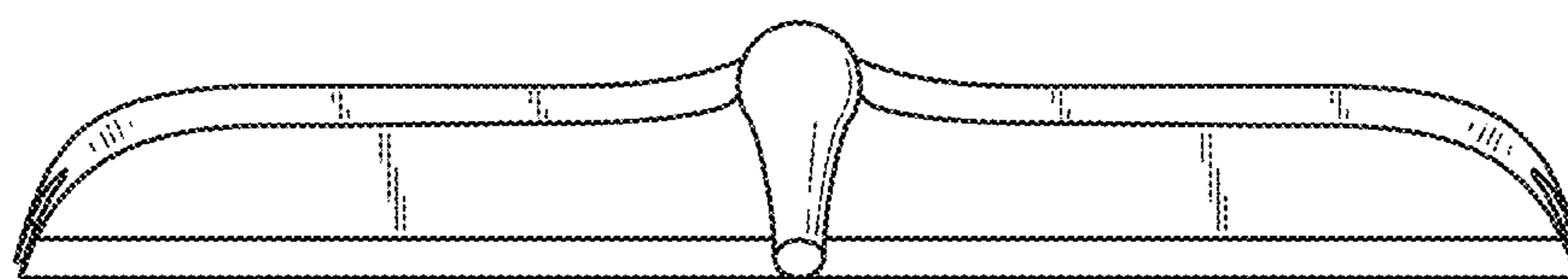


Fig. 6