



US00D685545S

(12) **United States Design Patent**
Ono et al.

(10) **Patent No.:** **US D685,545 S**
(45) **Date of Patent:** **** Jul. 2, 2013**

(54) **CLEANING PAD**

(75) Inventors: **Hitoshi Ono**, Kanagawa (JP); **Akifumi Asano**, Tokyo (JP); **Haruna Ashiki**, Tokyo (JP)

(73) Assignee: **3M Innovative Properties Company**, St. Paul, MN (US)

(**) Term: **14 Years**

(21) Appl. No.: **29/420,582**

(22) Filed: **May 10, 2012**

(51) **LOC (9) Cl.** **04-01**

(52) **U.S. Cl.**
USPC **D32/40**

(58) **Field of Classification Search**
USPC D32/40-45; D28/63, 8; 15/244.1-244.4, 15/104.94, 208, 209.1
See application file for complete search history.

(56) **References Cited**

U.S. PATENT DOCUMENTS

2,904,814	A *	9/1959	Scholl	15/244.1
3,472,242	A *	10/1969	Demner	132/333
4,627,129	A *	12/1986	Wittes	15/244.4
D554,309	S *	10/2007	Wolk et al.	D32/40
D588,766	S *	3/2009	Dunshee et al.	D32/40
D589,665	S *	3/2009	Kwapis	D32/40
D590,555	S *	4/2009	Dunshee et al.	D32/40
D641,527	S *	7/2011	Regnier et al.	D32/40
D657,926	S *	4/2012	McKibbin et al.	D32/40

FOREIGN PATENT DOCUMENTS

JP	D1348692	1/2009
JP	D1375636	12/2009

* cited by examiner

Primary Examiner — Robin V Webster

(74) *Attorney, Agent, or Firm* — Irina Hass

(57) **CLAIM**

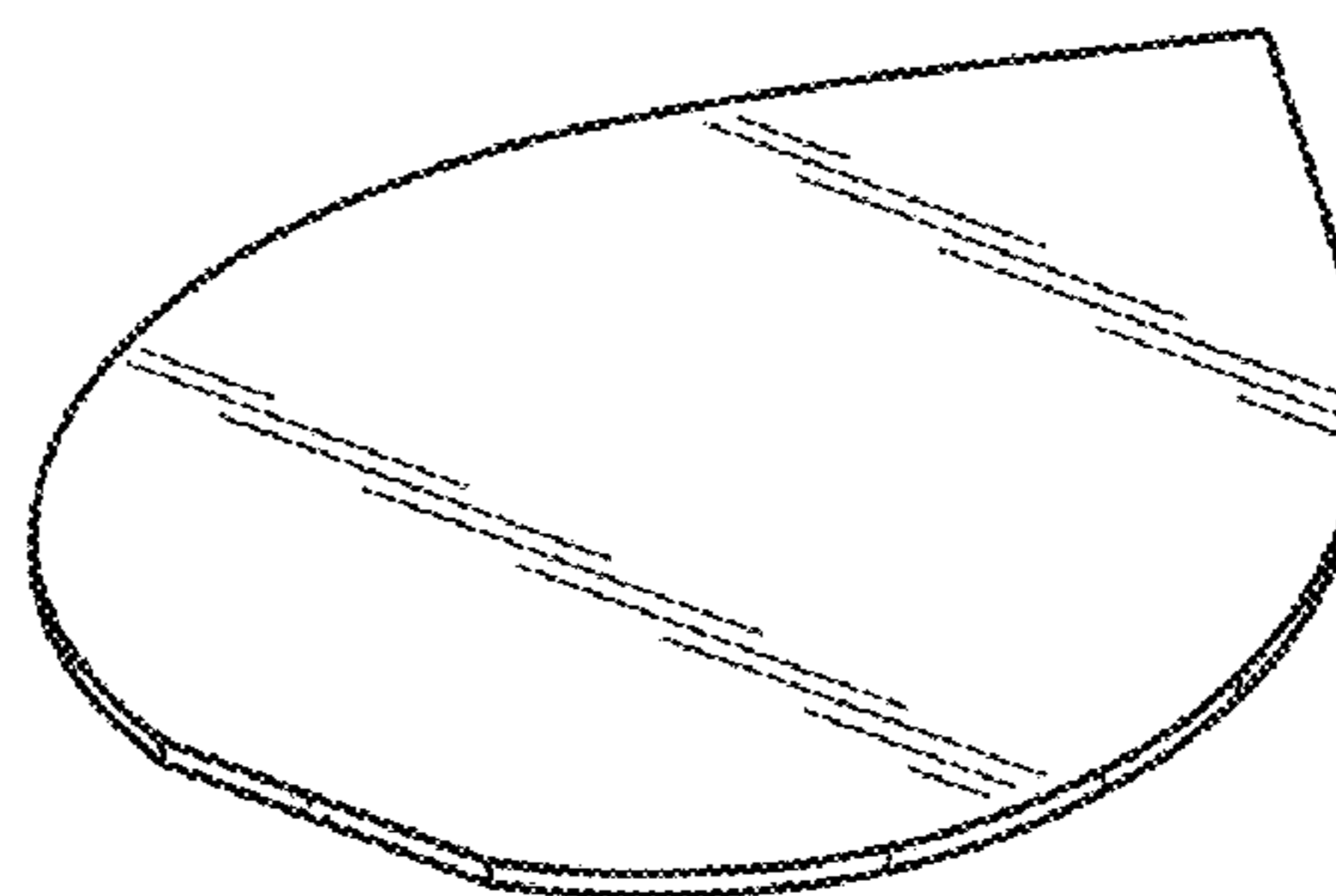
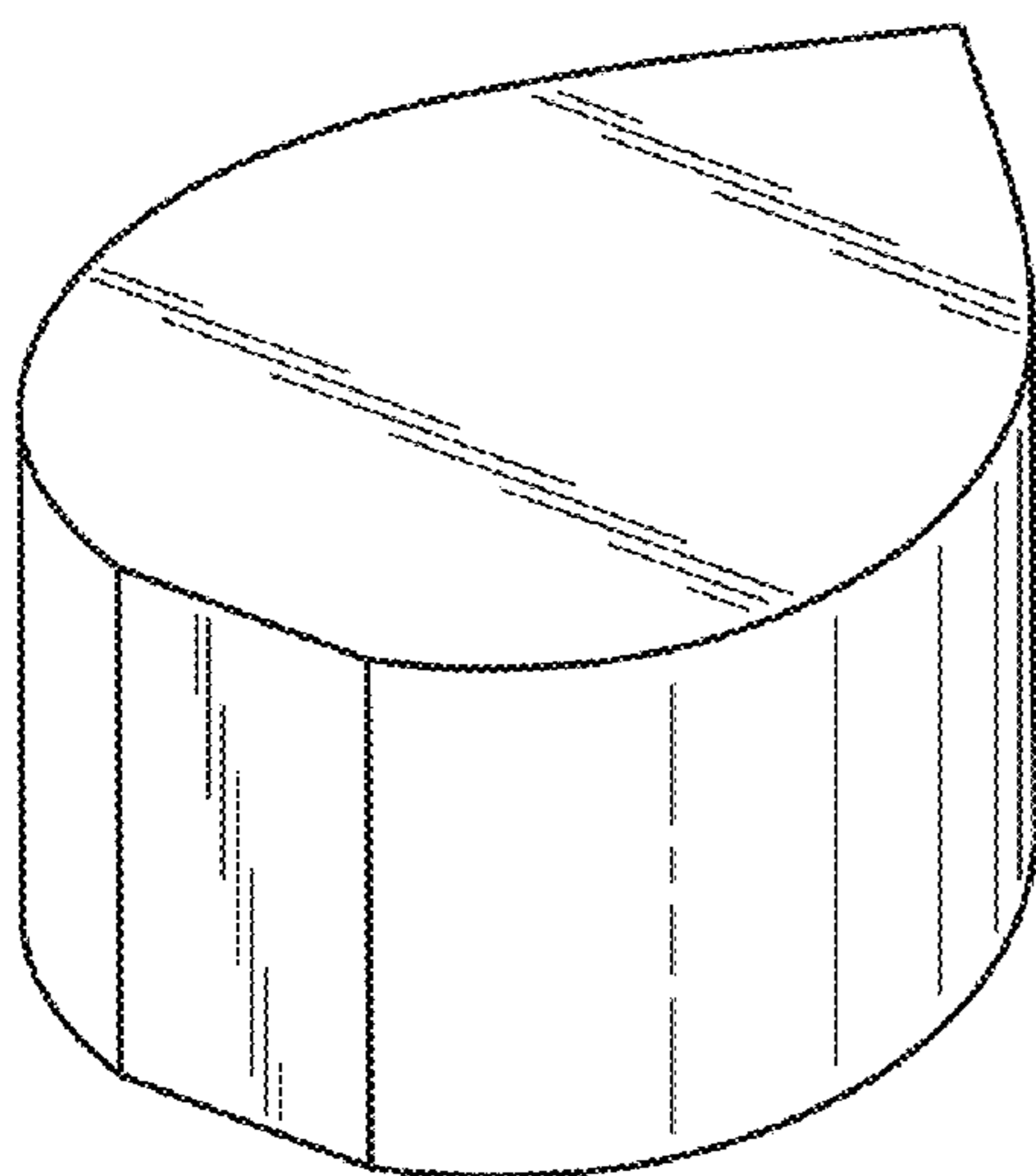
The ornamental design for a cleaning pad, as shown and described.

DESCRIPTION

FIG. 1 is a perspective view of a first embodiment of a cleaning pad showing the new design;
FIG. 2 is a front view thereof;
FIG. 3 is a right side view thereof, the left side view being a mirror image thereof;
FIG. 4 is a top view thereof;
FIG. 5 is a bottom view thereof;
FIG. 6 is a perspective view of a second embodiment of a cleaning pad showing the new design;
FIG. 7 is a front view thereof;
FIG. 8 is a right side view thereof, the left side view being a mirror image thereof;
FIG. 9 is a top view thereof; and,
FIG. 10 is a bottom view thereof.

The surface shading illustrated in the drawings is provided merely to highlight the contour of design; it is not intended to be illustrative of texture or gloss.

1 Claim, 2 Drawing Sheets



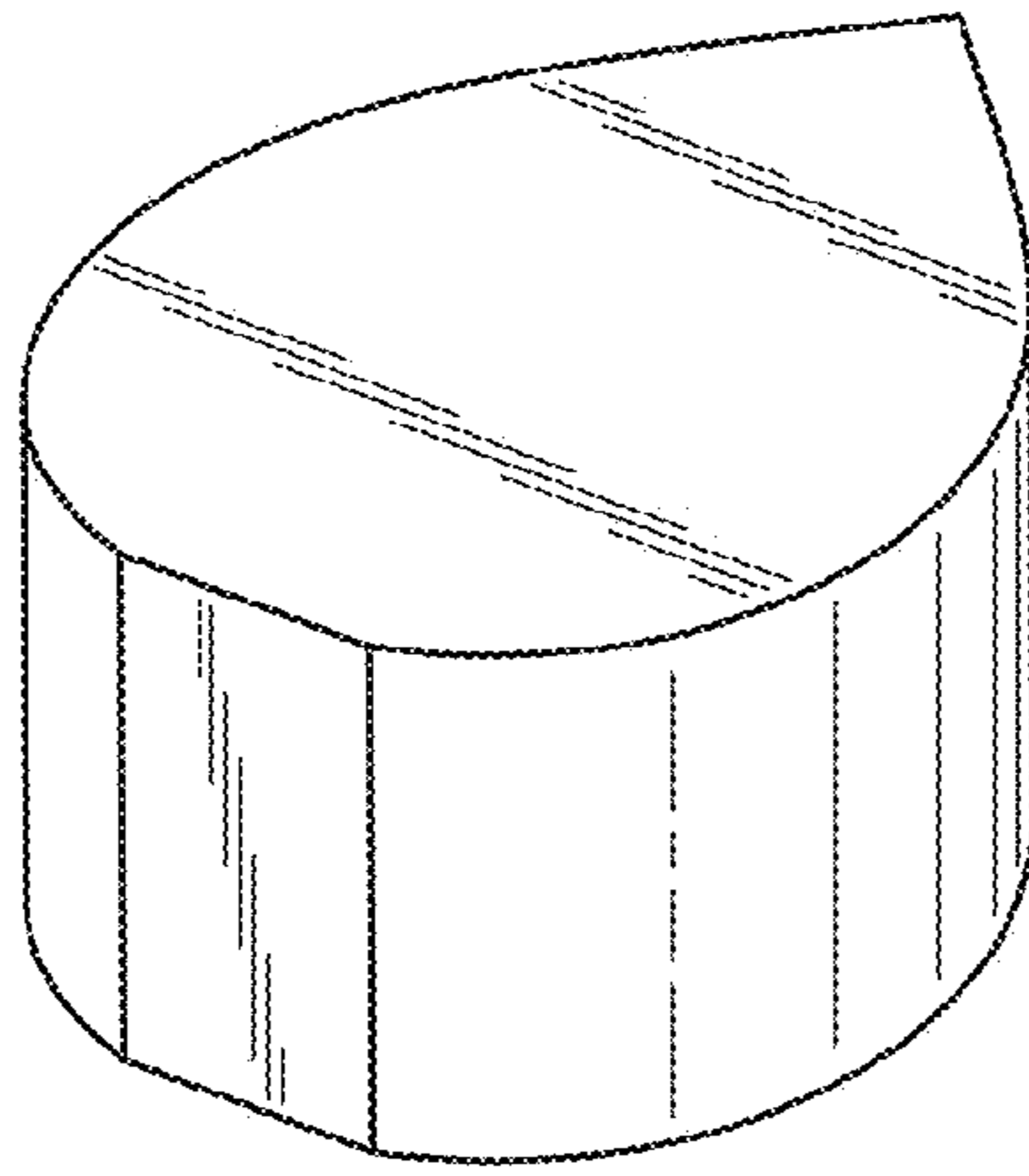


Fig. 1

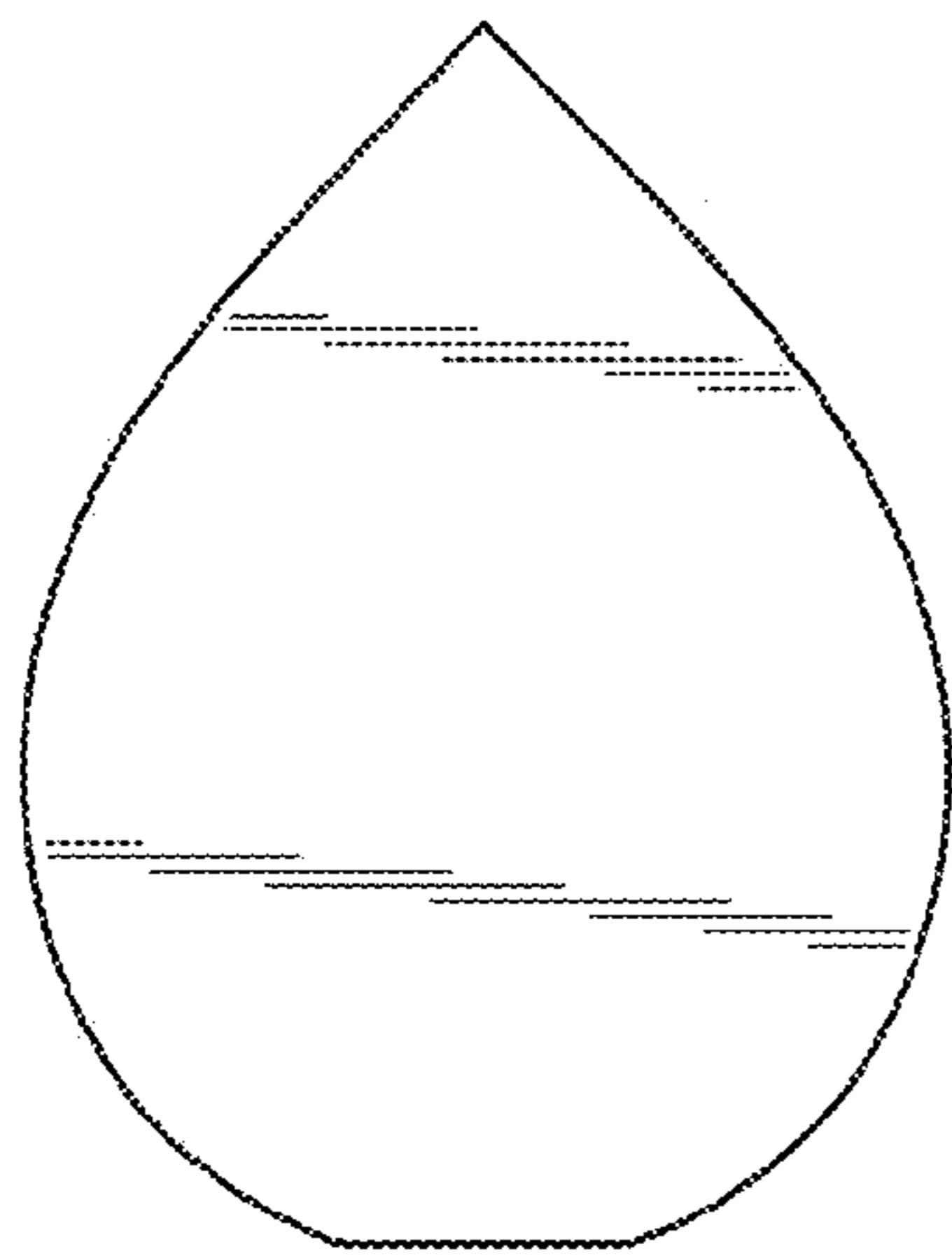


Fig. 2

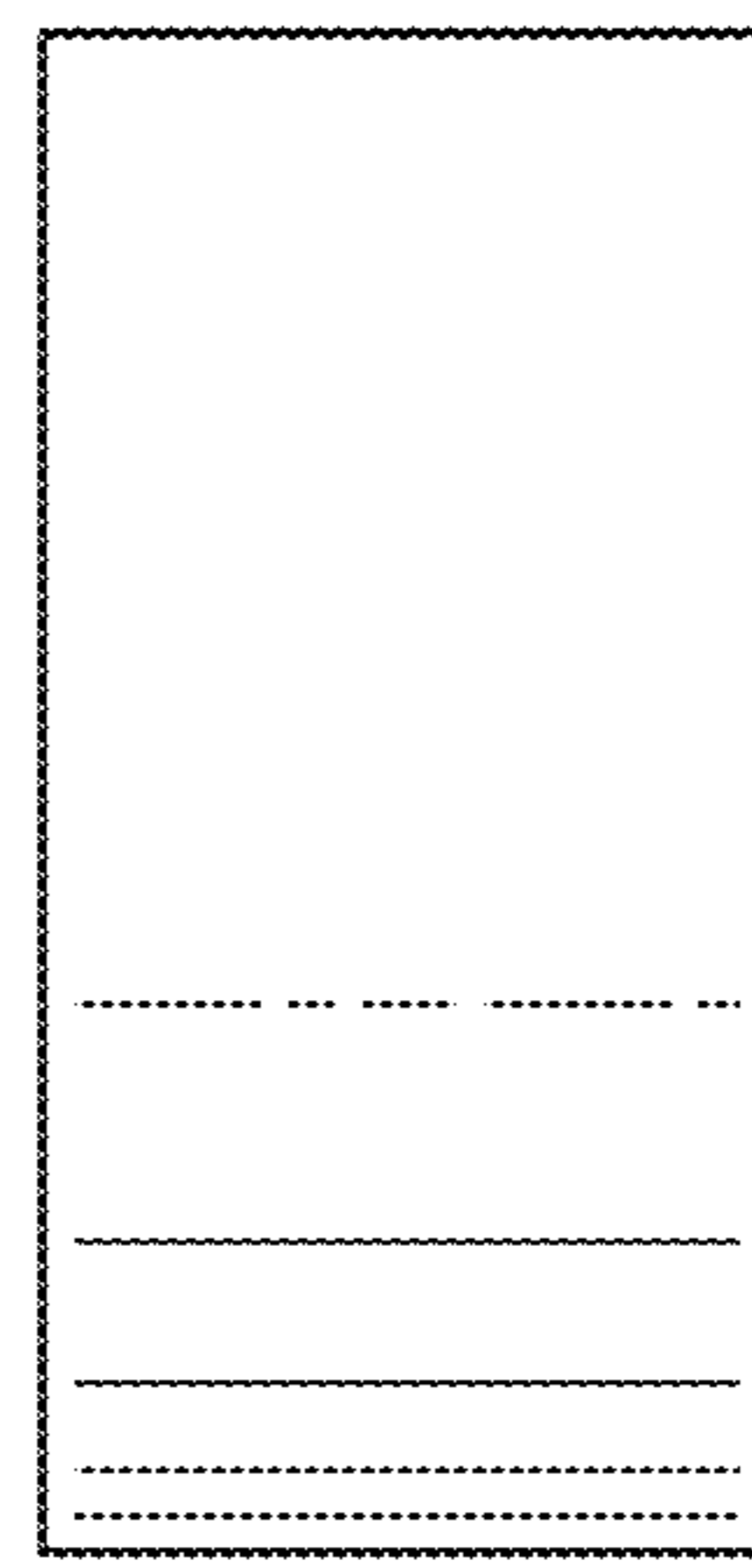


Fig. 3



Fig. 4

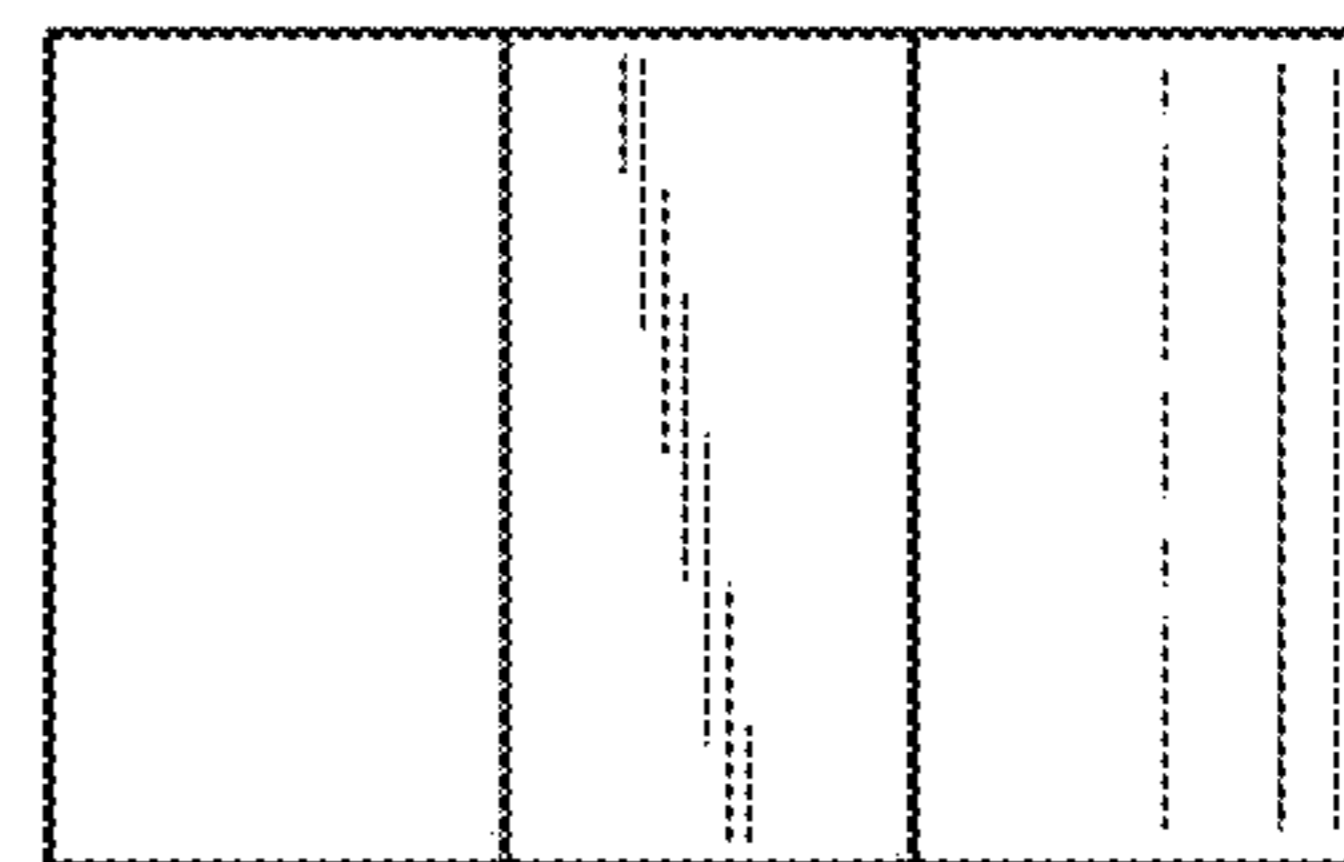


Fig. 5

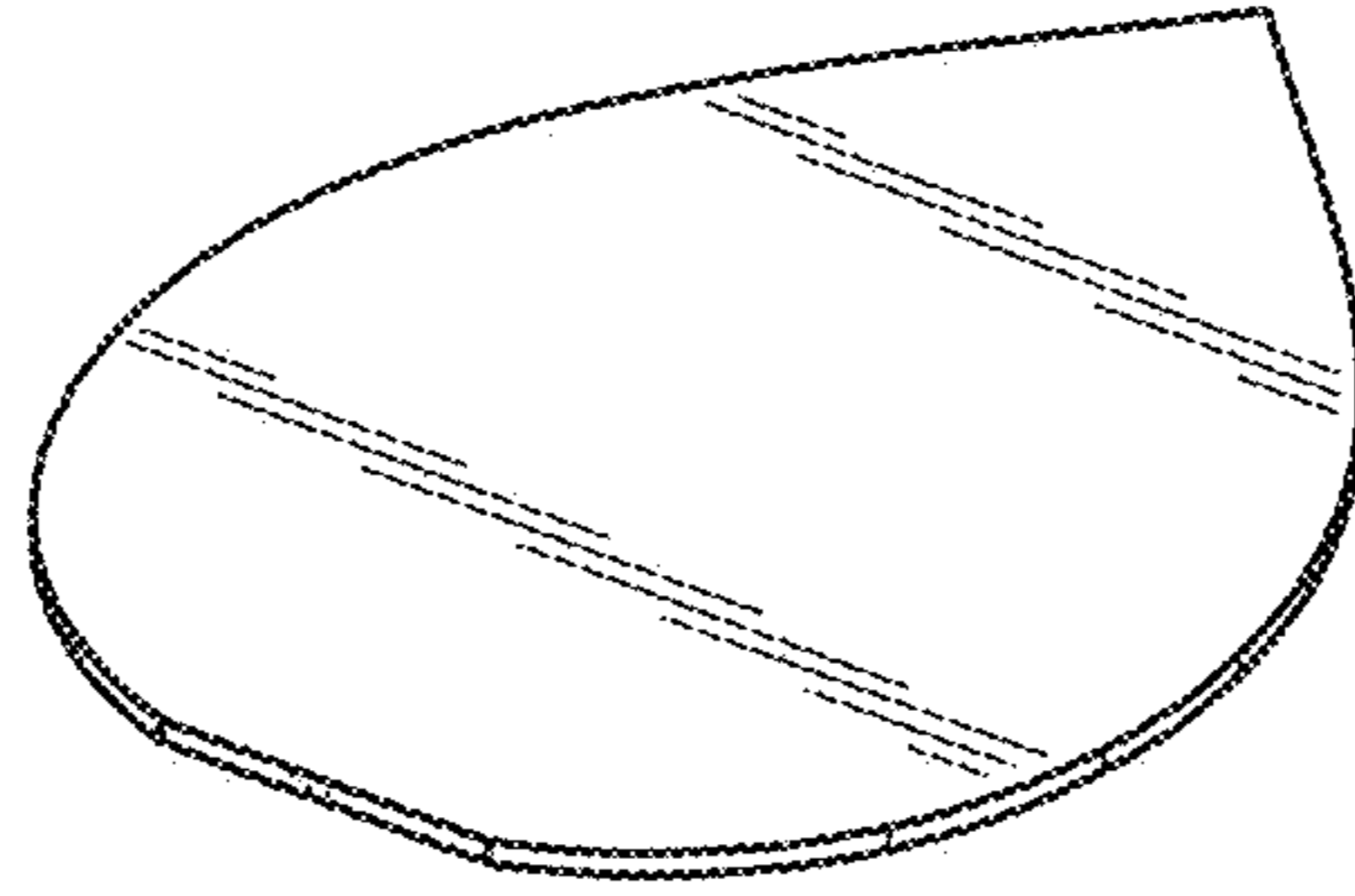


Fig. 6

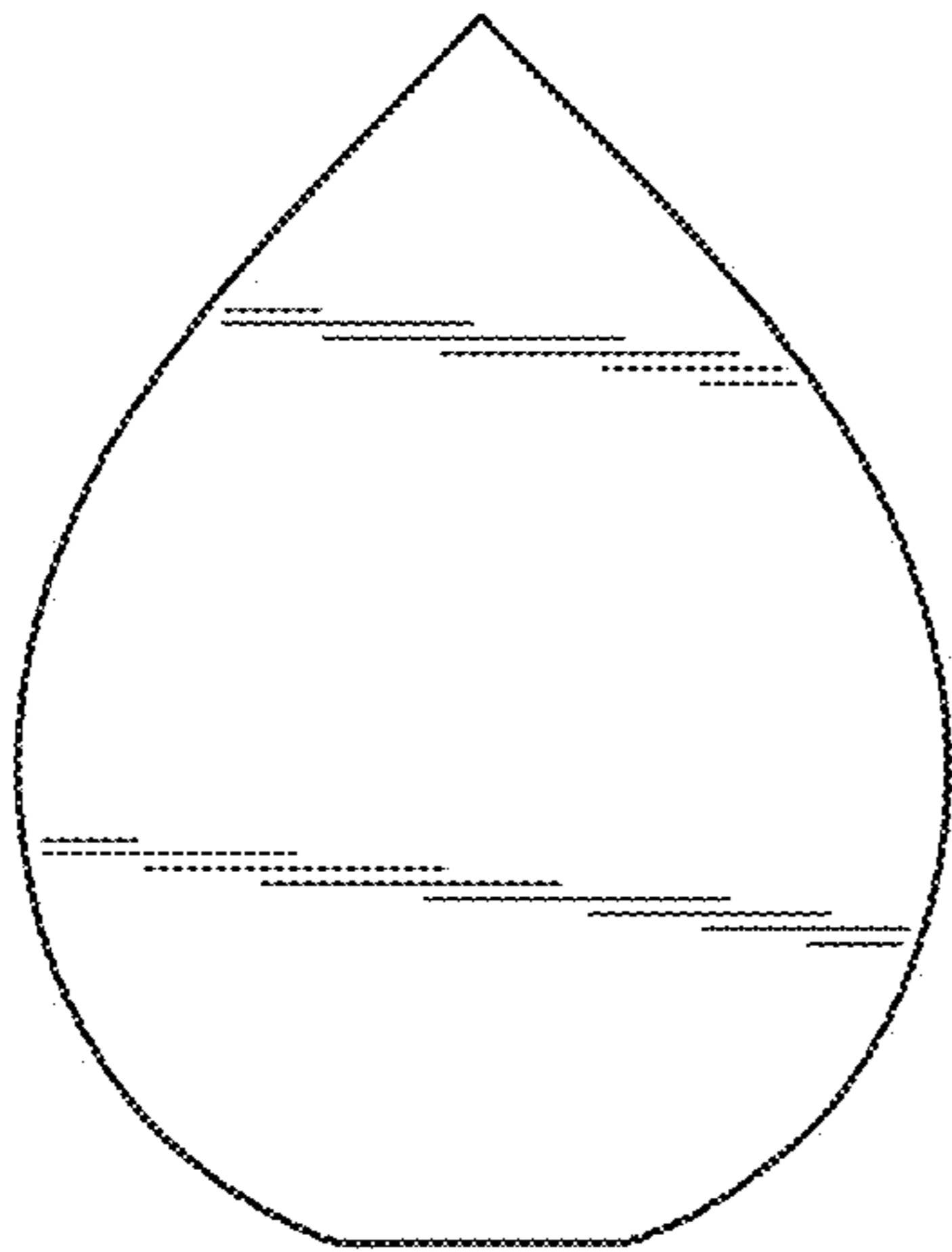


Fig. 7



Fig. 8



Fig. 9

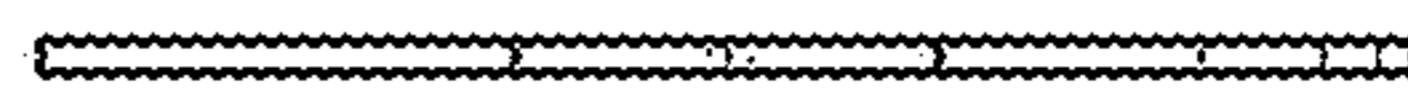


Fig. 10