



US00D685539S

(12) **United States Design Patent**
McPherson

(10) **Patent No.:** **US D685,539 S**

(45) **Date of Patent:** **** Jul. 2, 2013**

(54) **LITTER BOX CANOPY**

(71) Applicant: **James McPherson**, The Woodlands, TX
(US)

(72) Inventor: **James McPherson**, The Woodlands, TX
(US)

(**) Term: **14 Years**

(21) Appl. No.: **29/436,038**

(22) Filed: **Oct. 31, 2012**

(51) **LOC (9) Cl.** **30-99**

(52) **U.S. Cl.**
USPC **D30/161; D3/5**

(58) **Field of Classification Search**
USPC D30/161, 199; D3/5-6, 16; 119/161,
119/163-170; 135/15.1, 16, 33.7
See application file for complete search history.

(56) **References Cited**

U.S. PATENT DOCUMENTS

200,945	A *	3/1878	Smith	135/21
D310,311	S *	9/1990	Bergen et al.	D6/500
D338,327	S *	8/1993	Lewis	D3/5
5,431,364	A *	7/1995	Etter	135/16
D370,336	S *	6/1996	Rosier	D3/5
D382,677	S *	8/1997	Muir	D30/199
5,896,880	A *	4/1999	Bushweller et al.	135/16
D434,556	S *	12/2000	Lin	D3/6
6,234,187	B1 *	5/2001	Izzo	135/15.1
6,561,178	B1 *	5/2003	Hayes	135/16

D477,906	S *	8/2003	Martin	D3/5
D497,458	S *	10/2004	Nauert	D30/199
D497,479	S *	10/2004	Yu	D3/5
D510,656	S *	10/2005	Brewer	D3/5
D526,476	S *	8/2006	Browne	D3/5
D653,845	S *	2/2012	Li	D3/5

* cited by examiner

Primary Examiner — Cathy A MacCormac

(74) *Attorney, Agent, or Firm* — QuickPatents; Kevin Prince

(57) **CLAIM**

I claim the ornamental design for a litter box canopy, as shown and described.

DESCRIPTION

FIG. 1 is a rear perspective view of a litter box canopy, showing my new design;

FIG. 2 is a front elevational view thereof;

FIG. 3 is a rear elevational view thereof;

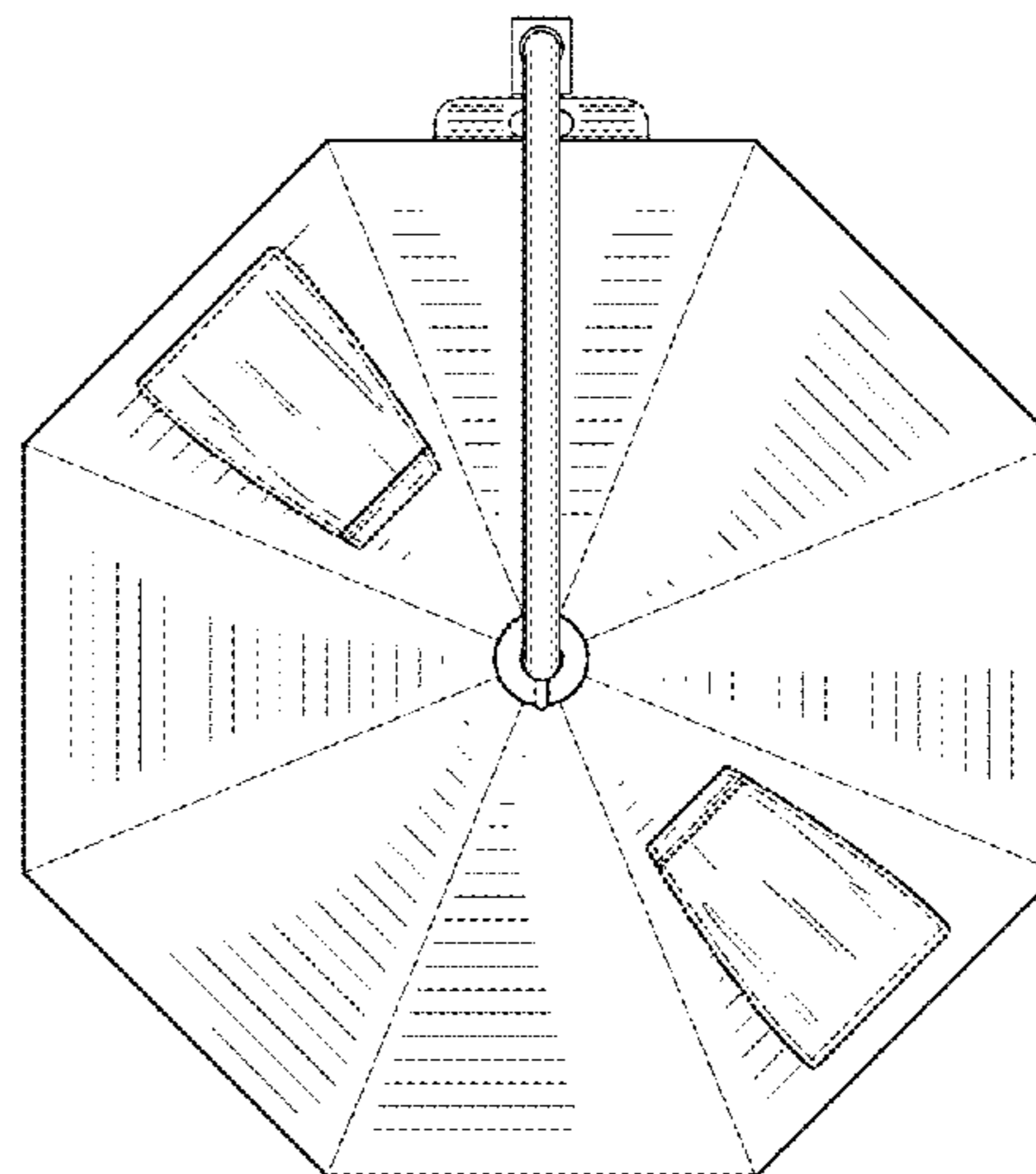
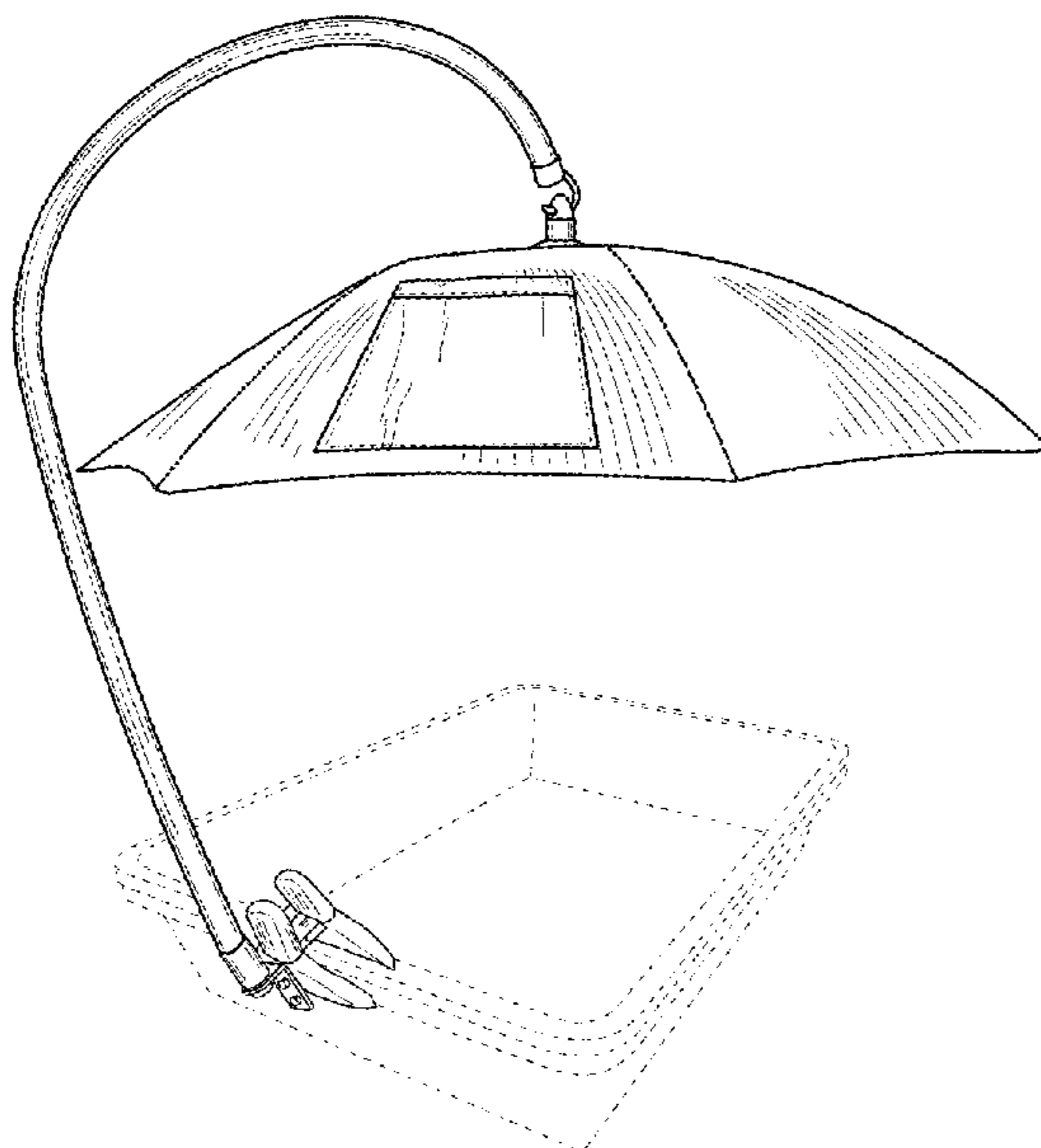
FIG. 4 is a right-side elevational view thereof, the left-side elevational view being a mirror image thereof;

FIG. 5 is a top plan view thereof; and,

FIG. 6 is a bottom plan view thereof.

The broken lines on the pockets of the canopy represent stitching and are part of the claimed design. The broken lines showing a cat litter box in FIG. 1 depict environmental matter and form no part of the claimed design.

1 Claim, 2 Drawing Sheets



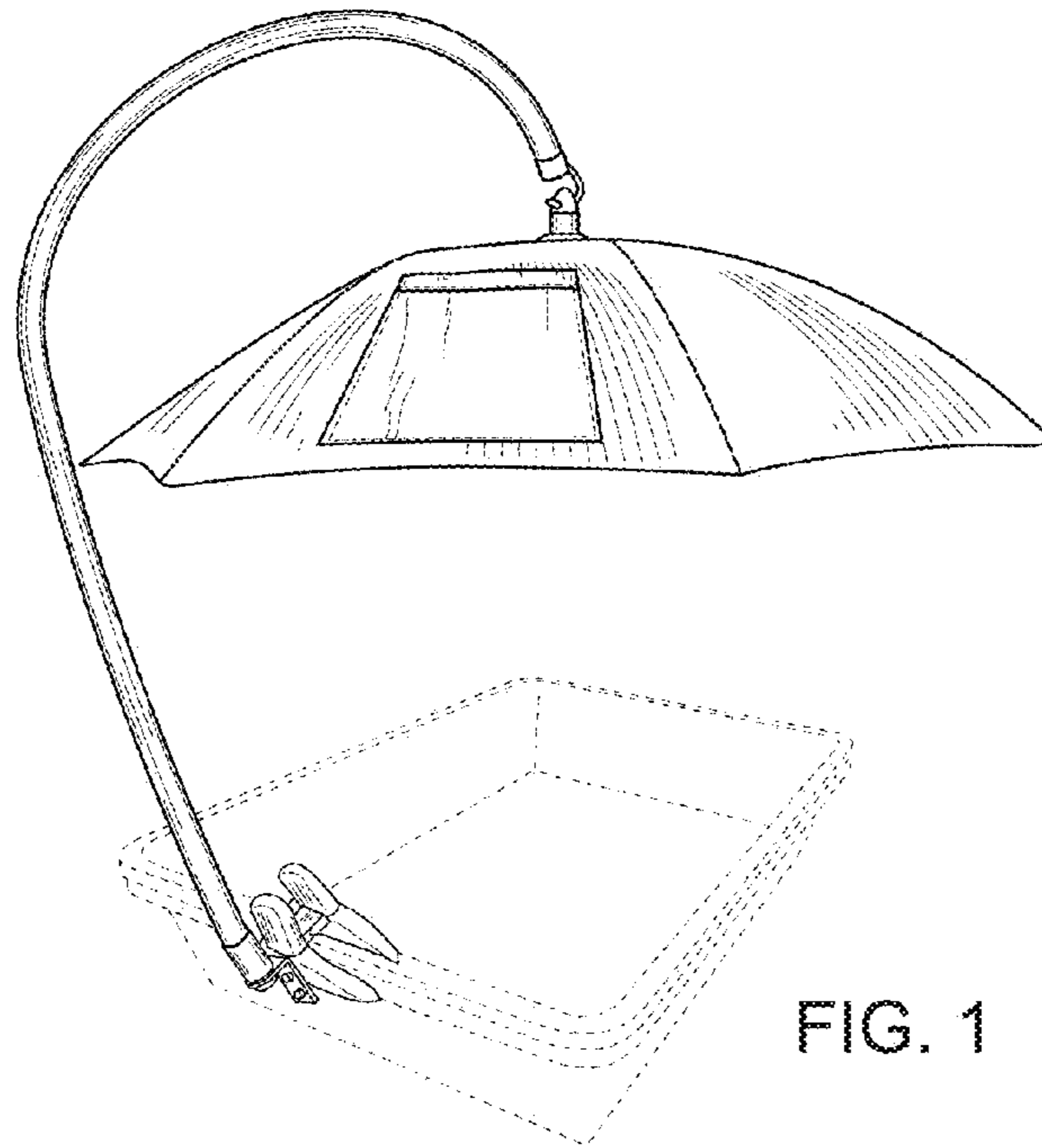


FIG. 1

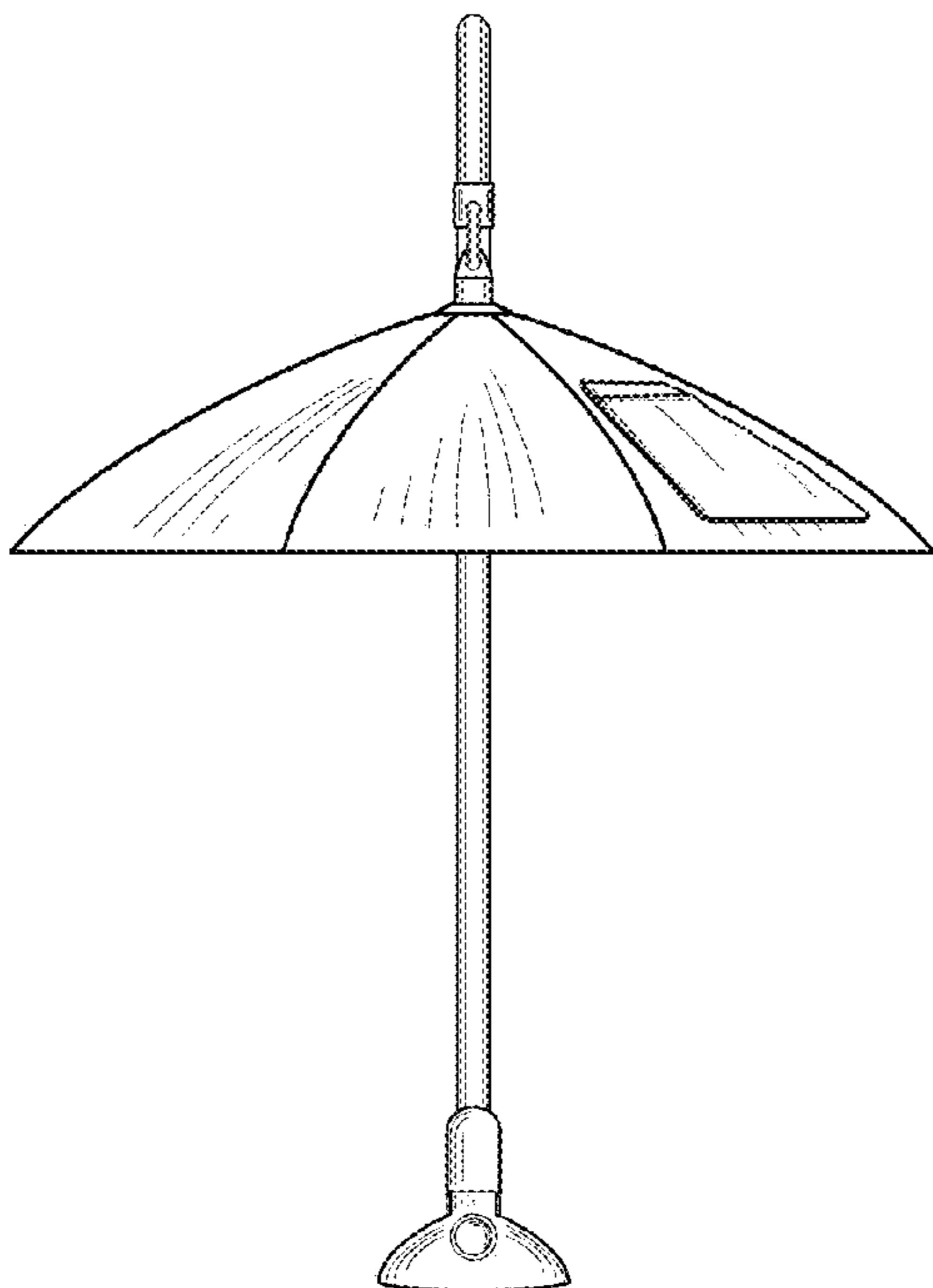


FIG. 2

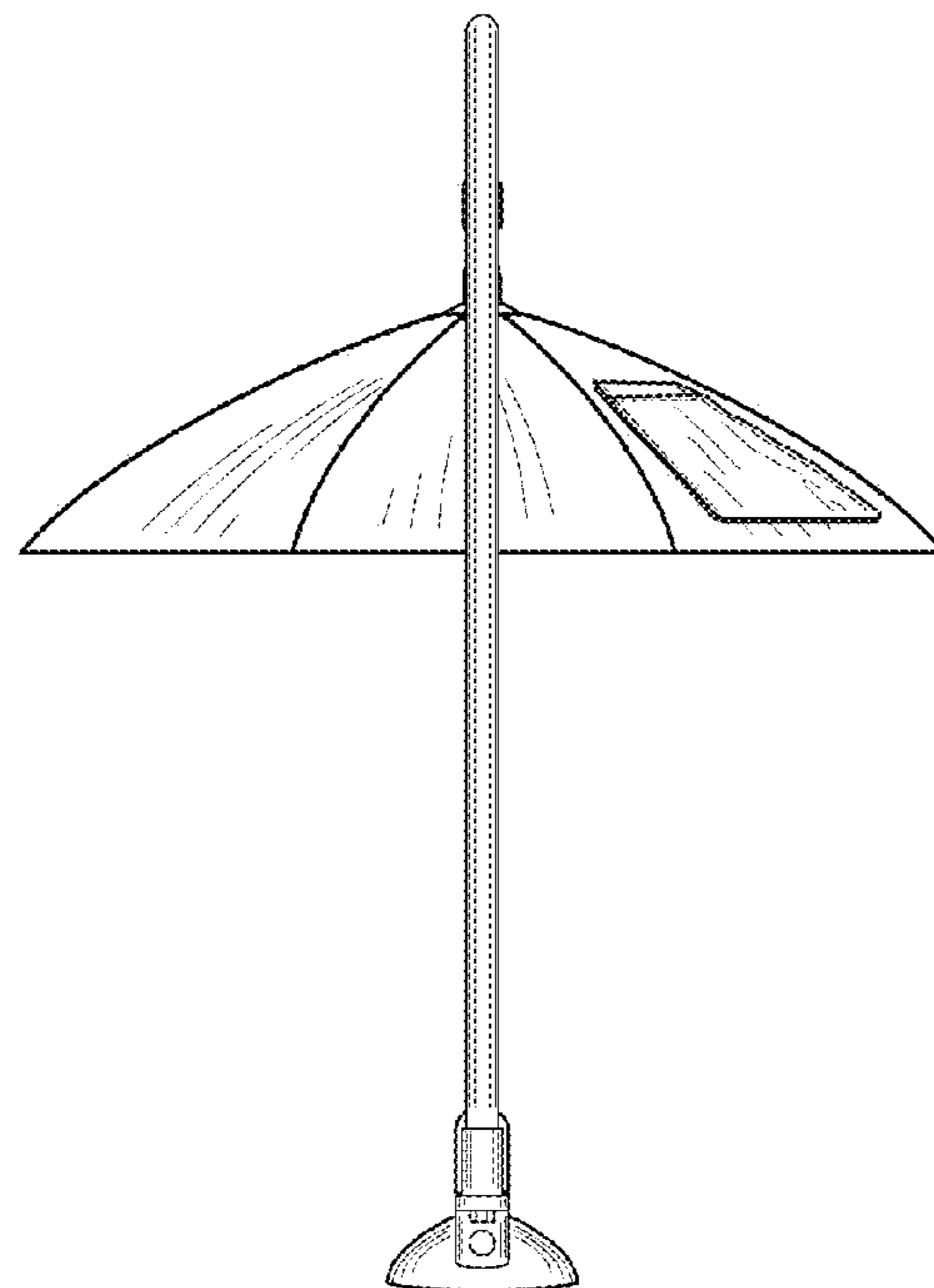


FIG. 3

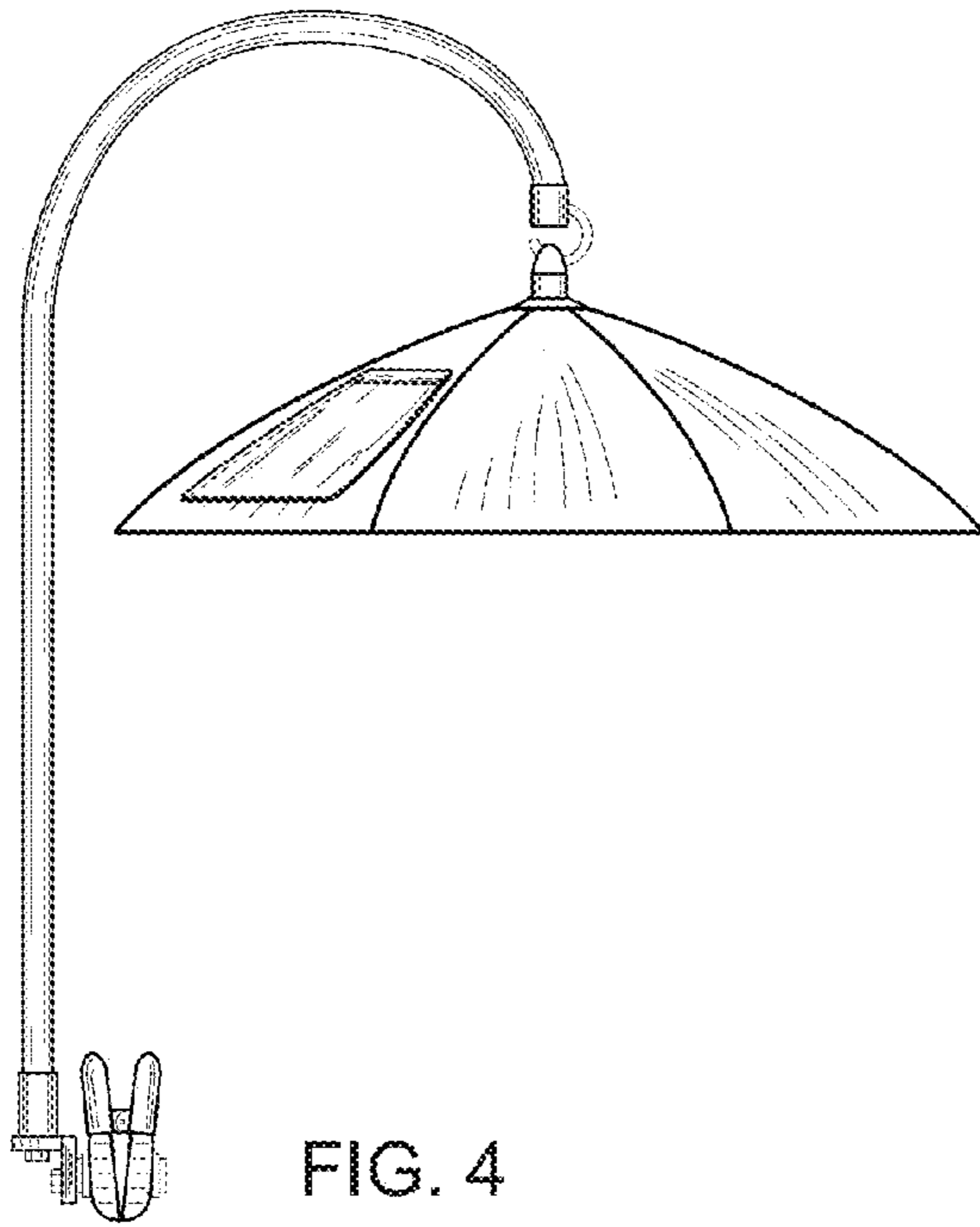


FIG. 4

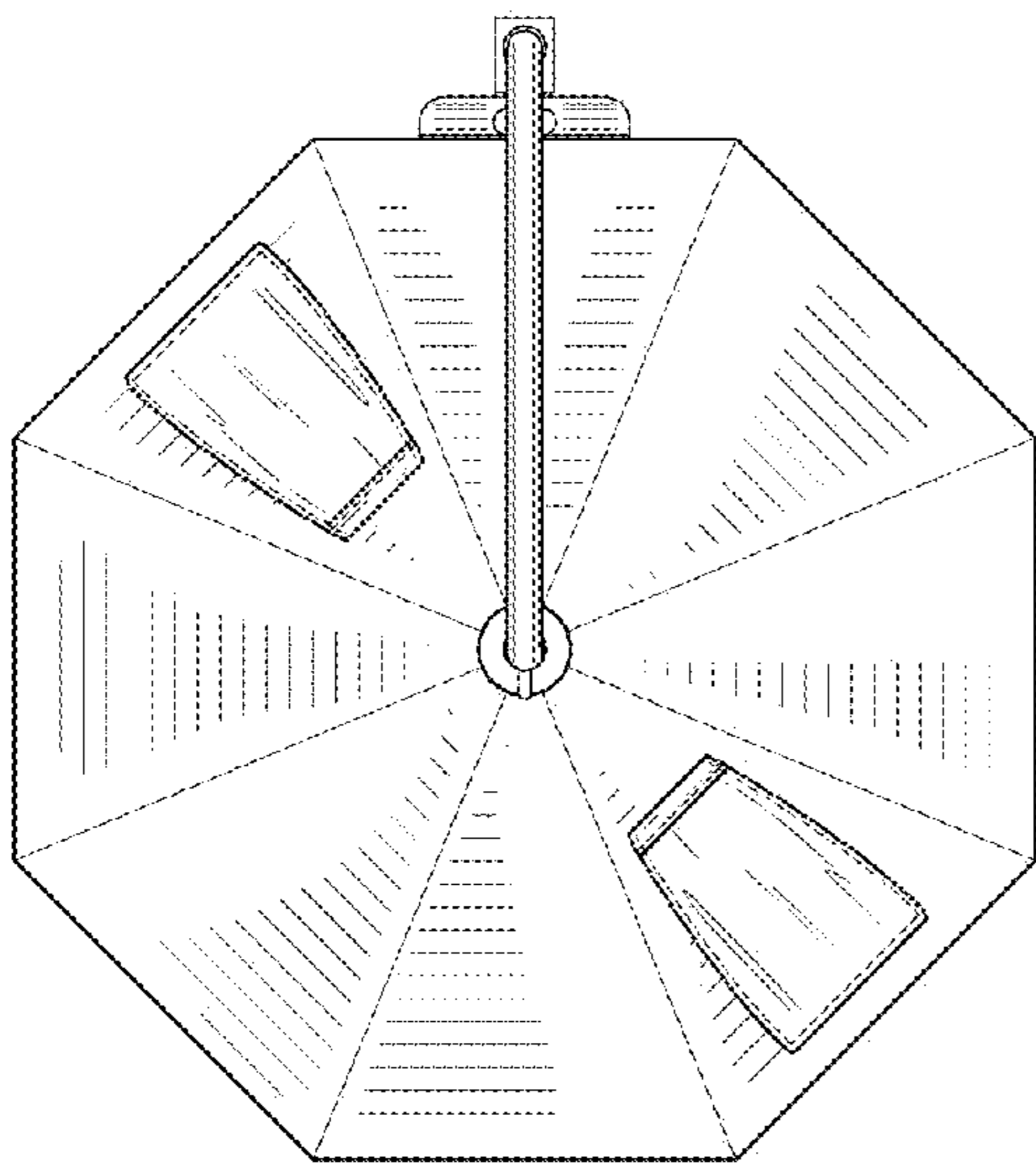


FIG. 5

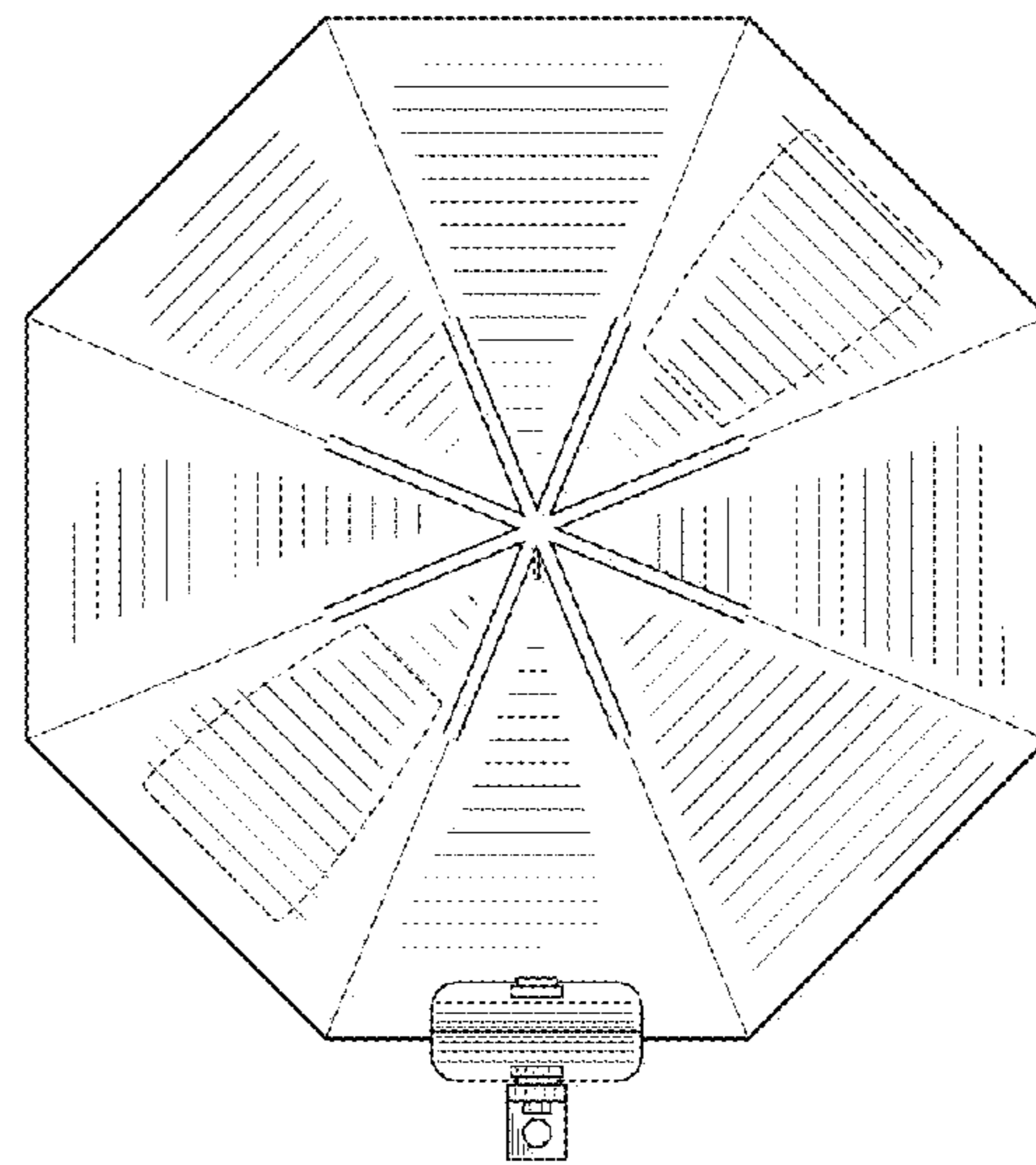


FIG. 6