



US00D685538S

(12) **United States Design Patent**  
**Watts**

(10) **Patent No.:** **US D685,538 S**  
(45) **Date of Patent:** **\*\* Jul. 2, 2013**

(54) **CAT PLAY STRUCTURE**

(71) Applicant: **Ethel M. Watts**, Charleston, IL (US)

(72) Inventor: **Ethel M. Watts**, Charleston, IL (US)

(\*\*) Term: **14 Years**

(21) Appl. No.: **29/446,557**

(22) Filed: **Feb. 25, 2013**

(51) **LOC (9) Cl.** ..... **30-99**

(52) **U.S. Cl.**  
USPC ..... **D30/160**

(58) **Field of Classification Search**  
USPC ..... D30/108-109, 112-113, 117-118,  
D30/158, 160; D21/826; 119/28.5, 416, 21,  
119/452, 462, 474-475, 482, 497, 498, 702,  
119/706-707, 4

See application file for complete search history.

(56) **References Cited**

**U.S. PATENT DOCUMENTS**

3,479,990 A	11/1969	Crow
3,479,991 A	11/1969	Lichtenberger
3,595,209 A	7/1971	Parker
D222,276 S	10/1971	Hughes,
D224,685 S	8/1972	Michlap
D233,844 S	12/1974	Tucker
D261,186 S	10/1981	Michalski
D265,139 S	6/1982	Salvato
4,347,807 A	9/1982	Reich
D309,046 S	7/1990	Andersen
5,050,536 A	9/1991	Baker
D338,283 S	8/1993	Pfriender
D361,647 S	8/1995	Thomas et al.
5,651,332 A	7/1997	Moore et al.
D407,861 S	4/1999	Teng
5,964,189 A	10/1999	Northrop et al.
5,979,366 A	11/1999	Cook
D422,754 S	4/2000	Kolozsvari et al.

D433,544 S	11/2000	Nesbit-Yontz
D435,703 S	12/2000	Coudare et al.
6,378,463 B1	4/2002	Simmons
6,431,119 B1	8/2002	Beymer
6,490,997 B1	12/2002	Biermann et al.
D469,584 S	1/2003	Shepherd
D473,020 S	4/2003	DeRaspe
6,758,167 B1	7/2004	Edelinski
D554,303 S	10/2007	Linehan
D563,604 S	3/2008	Pacana
7,469,660 B1	12/2008	Howden

(Continued)

*Primary Examiner* — Cathy A MacCormac

(74) *Attorney, Agent, or Firm* — QuickPatents; Kevin Prince

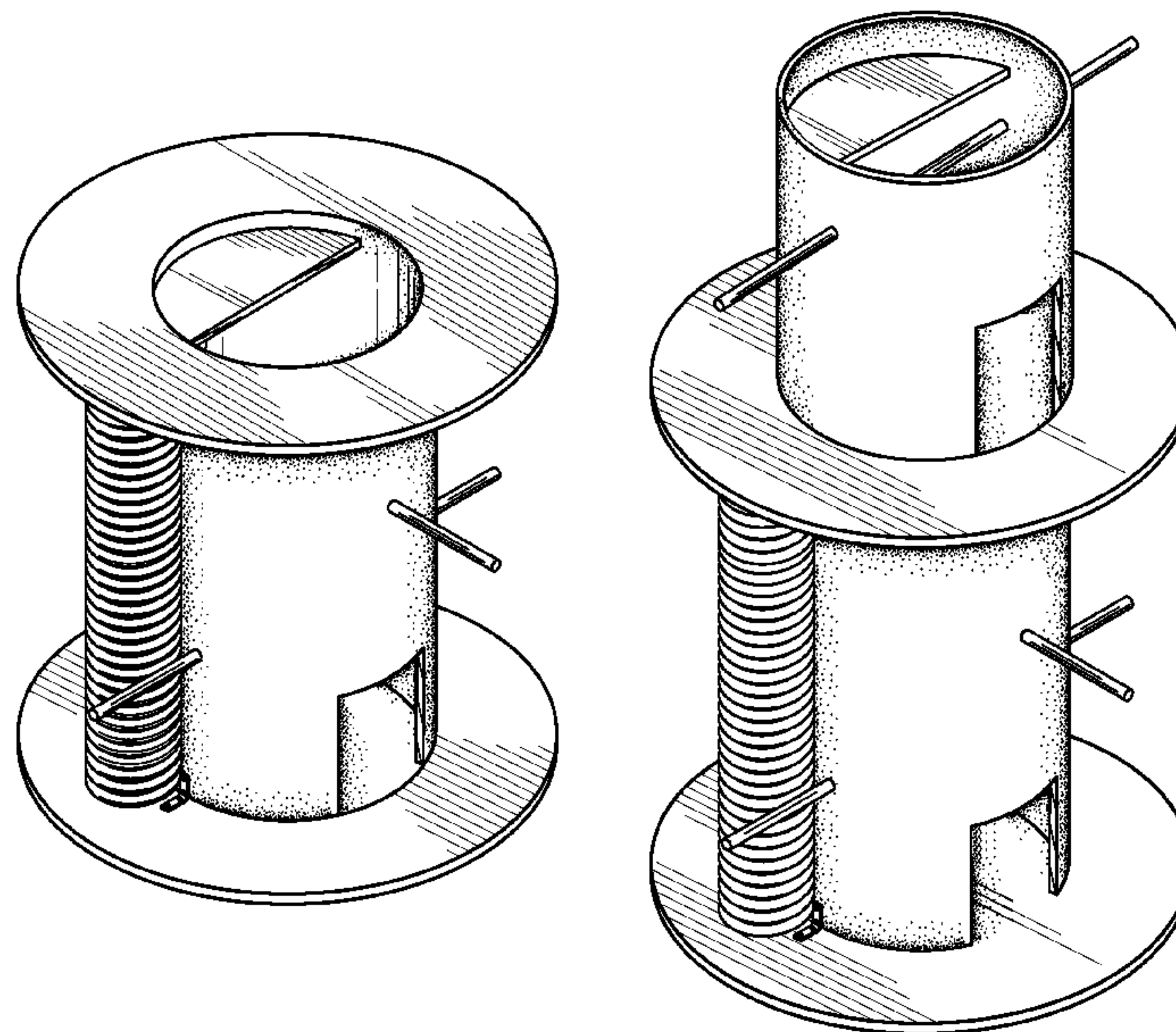
(57) **CLAIM**

I claim the ornamental design for a cat play structure, as shown and described.

**DESCRIPTION**

FIG. 1 is a perspective view of a cat play structure, showing a single-level embodiment of my new design; FIG. 2 is a left side elevational view of FIG. 1; FIG. 3 is a right side elevational view of FIG. 1; FIG. 4 is a rear elevational view of FIG. 1; FIG. 5 is a front elevational view of FIG. 1; FIG. 6 is a top plan view of FIG. 1; FIG. 7 is a bottom plan view of FIG. 1; FIG. 8 is a perspective view of a double-level embodiment thereof; FIG. 9 is a left side elevational view of FIG. 8; FIG. 10 is a right side elevational view of FIG. 8; FIG. 11 is a front elevational view of FIG. 8; FIG. 12 is a rear elevational view of FIG. 8; and, FIG. 13 is a top plan view of FIG. 8. It is understood that the bottom plan views of both embodiments are identical.

**1 Claim, 5 Drawing Sheets**



# US D685,538 S

Page 2

---

U.S. PATENT DOCUMENTS					
D607,610 S	1/2010	Higashi et al.	8,141,519 B2 *	3/2012	Salzman ..... 119/484
D611,204 S	3/2010	Slater	D665,540 S *	8/2012	Kilroy ..... D30/160
D612,111 S	3/2010	Kellogg et al.	D668,006 S *	9/2012	Mulligan et al. .... D30/160
7,669,551 B2	3/2010	Lamstein	D668,400 S	10/2012	Watts
7,770,540 B2	8/2010	Halpern	2002/0121243 A1 *	9/2002	Martyn ..... 119/28.5
D635,307 S	3/2011	Harmon	2006/0112898 A1 *	6/2006	Fjelstad et al. .... 119/496
8,020,518 B1 *	9/2011	Reinke ..... 119/482	2007/0240647 A1 *	10/2007	Dietz ..... 119/482
			* cited by examiner		

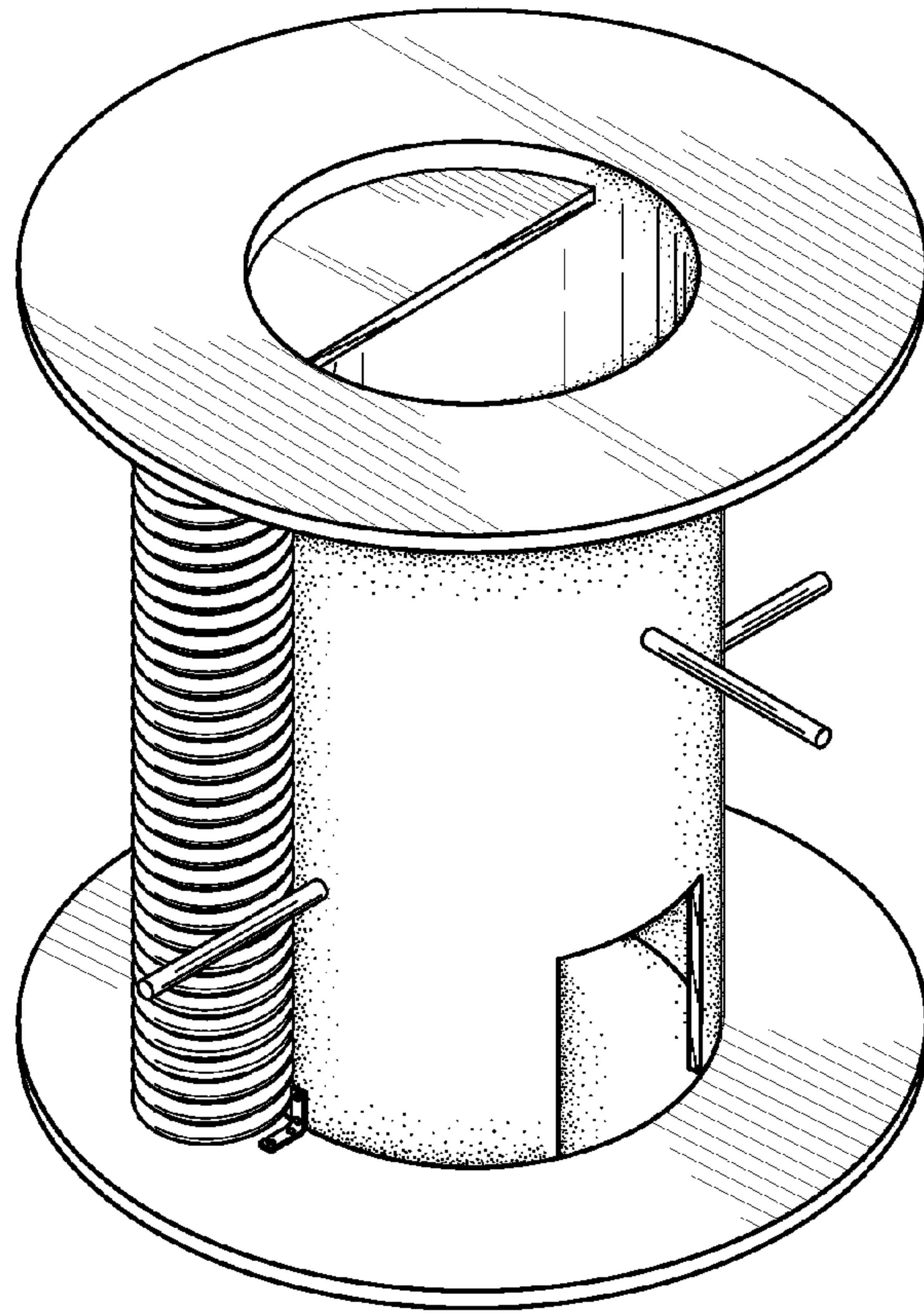


FIG. 1

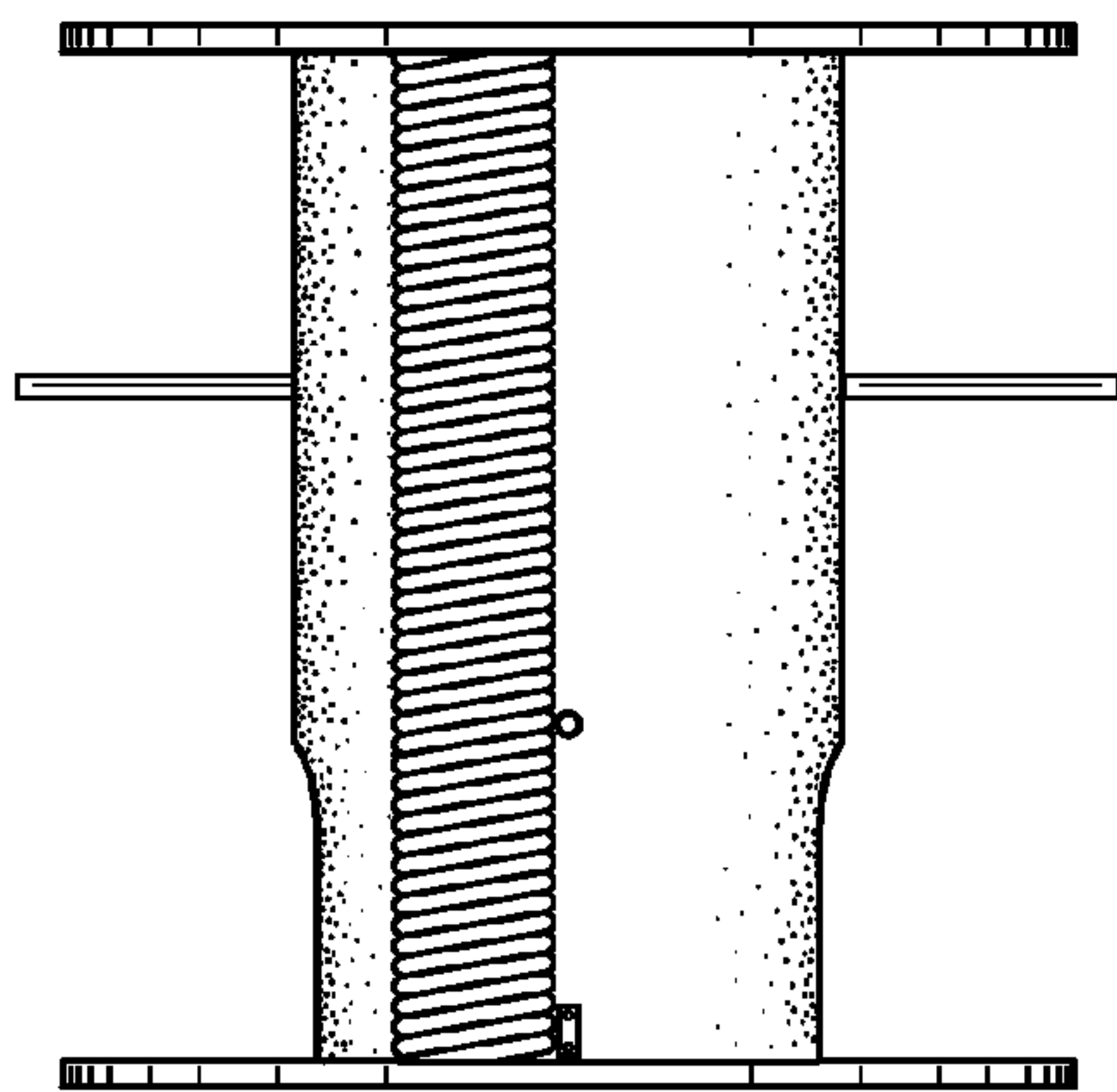


FIG. 2

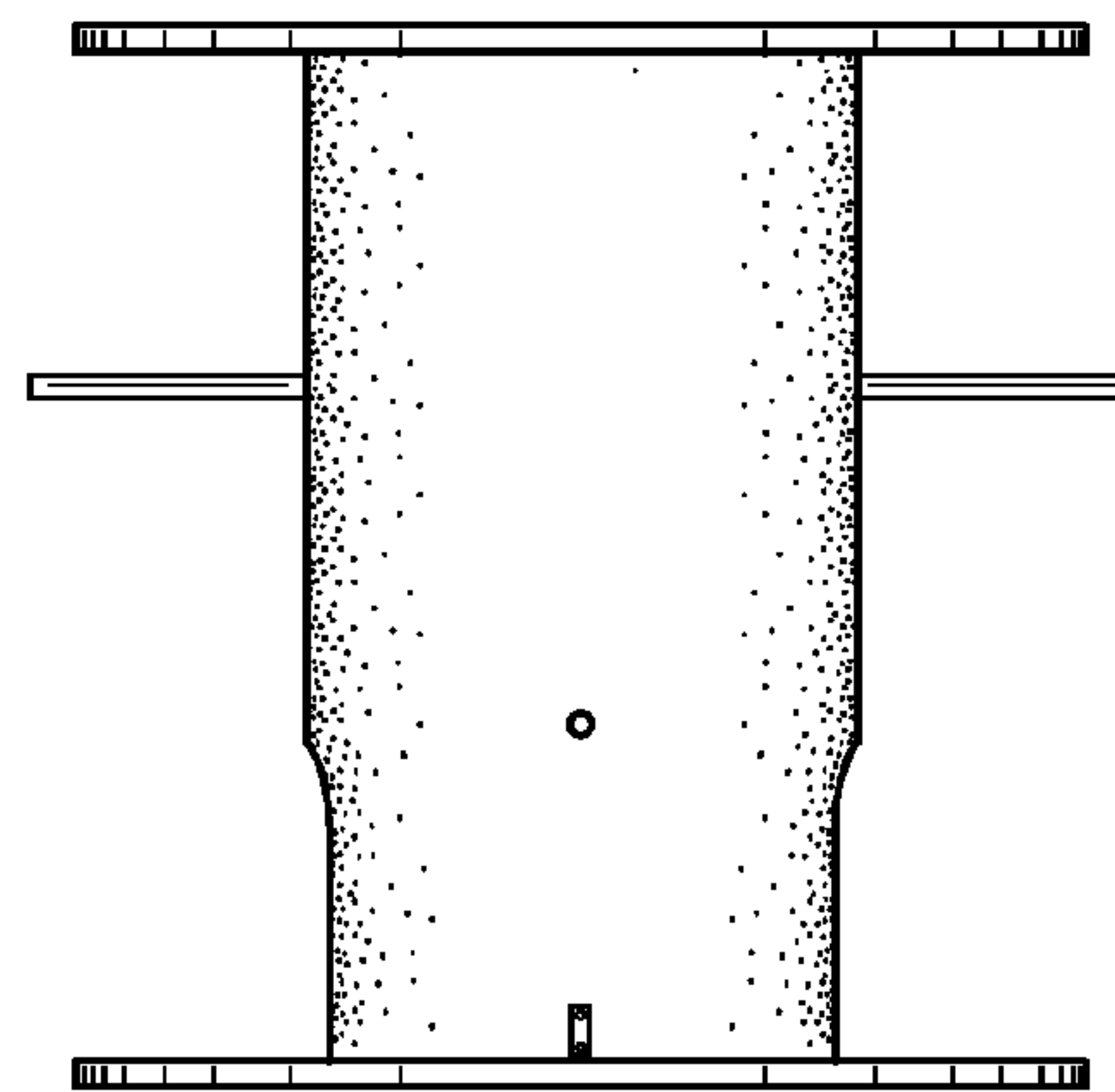


FIG. 3

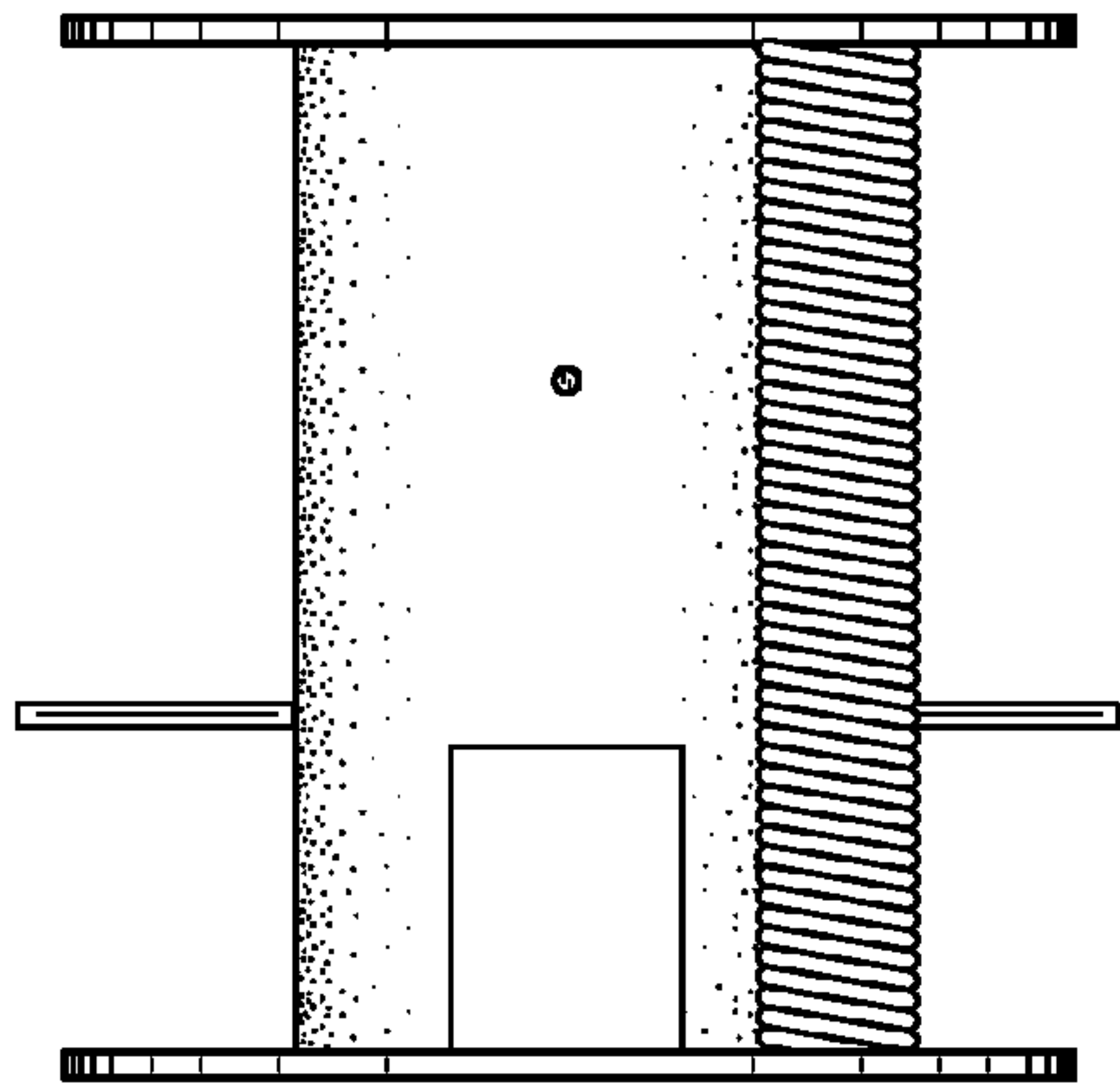


FIG. 4

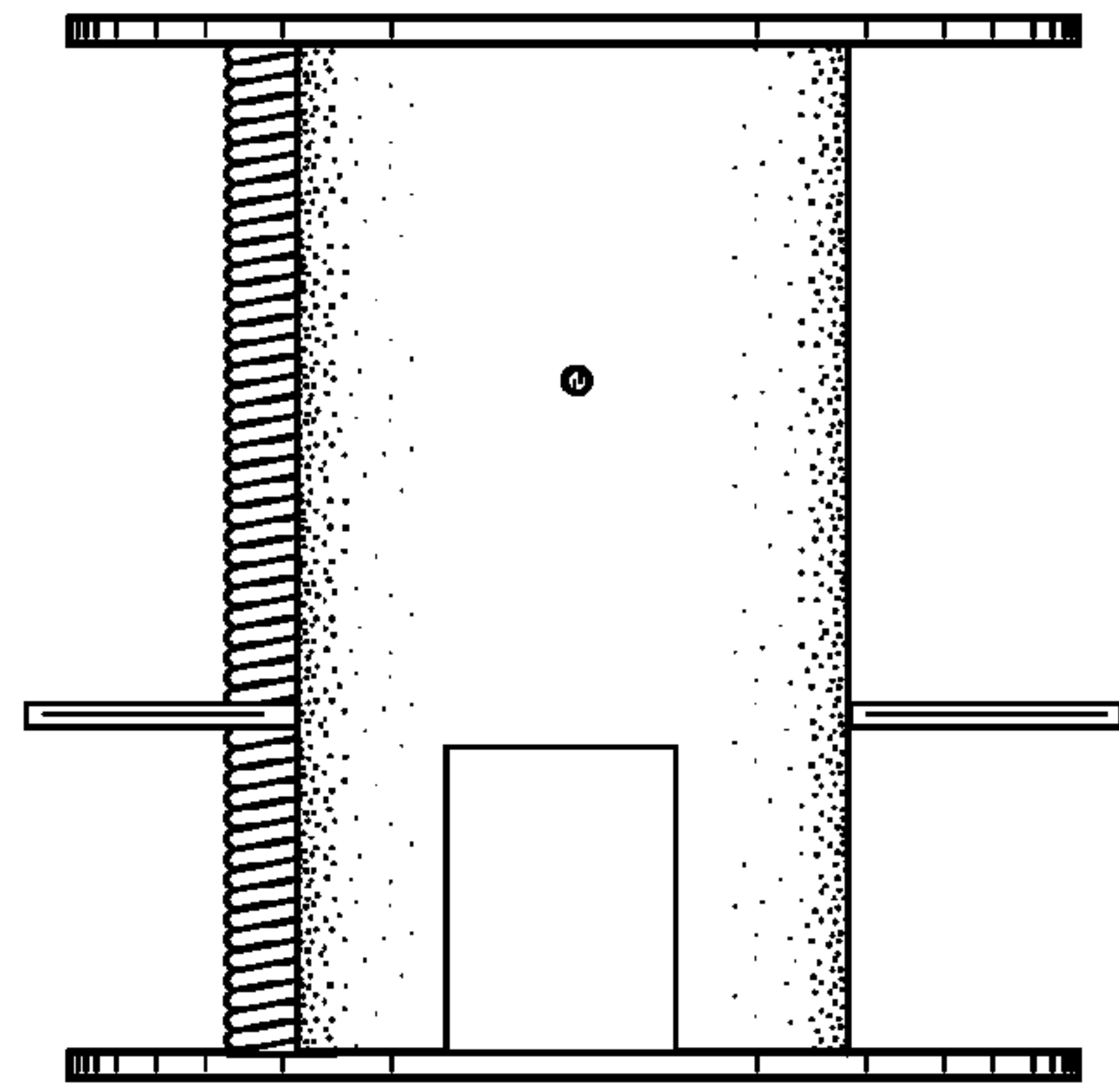


FIG. 5

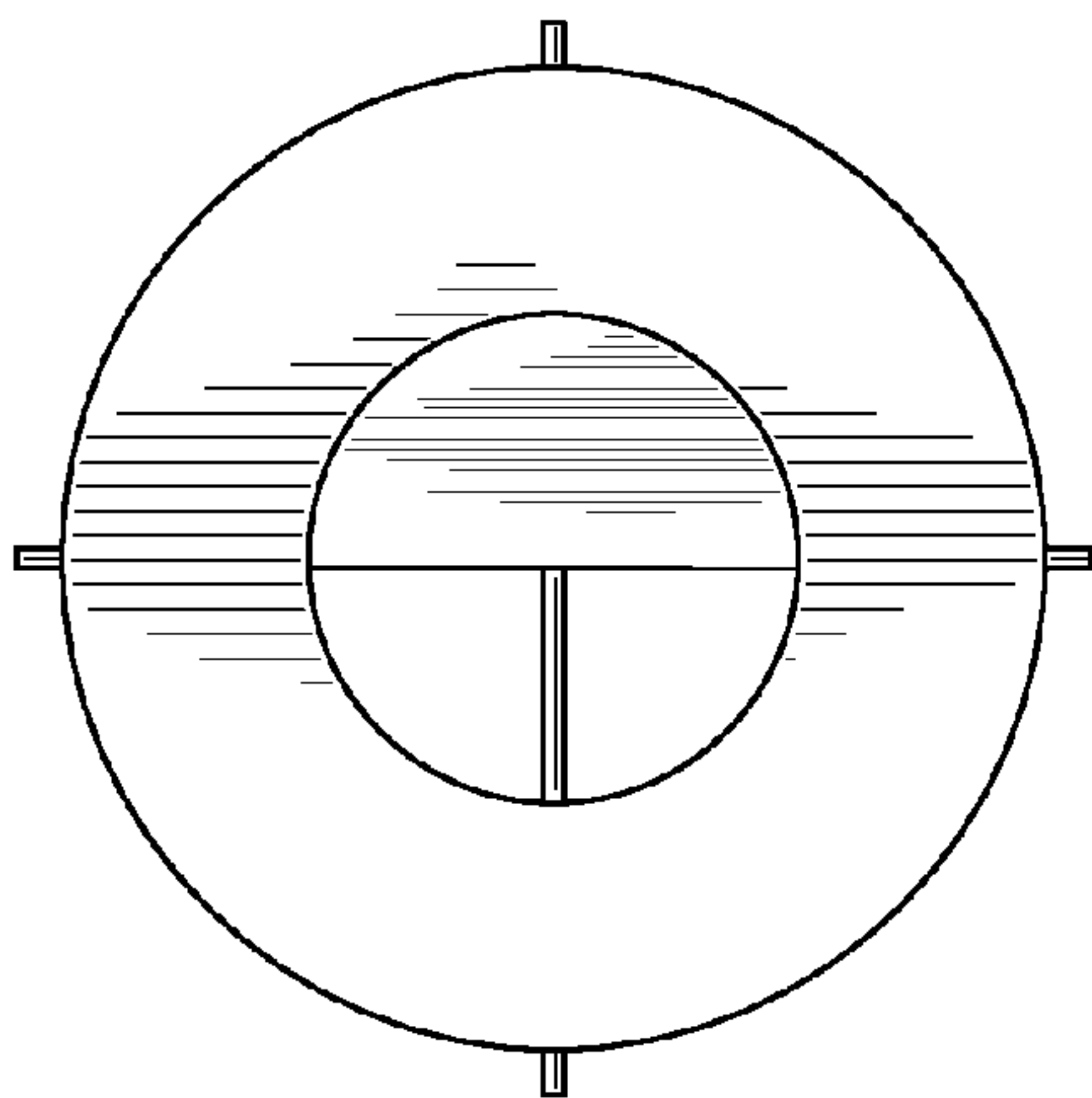


FIG. 6

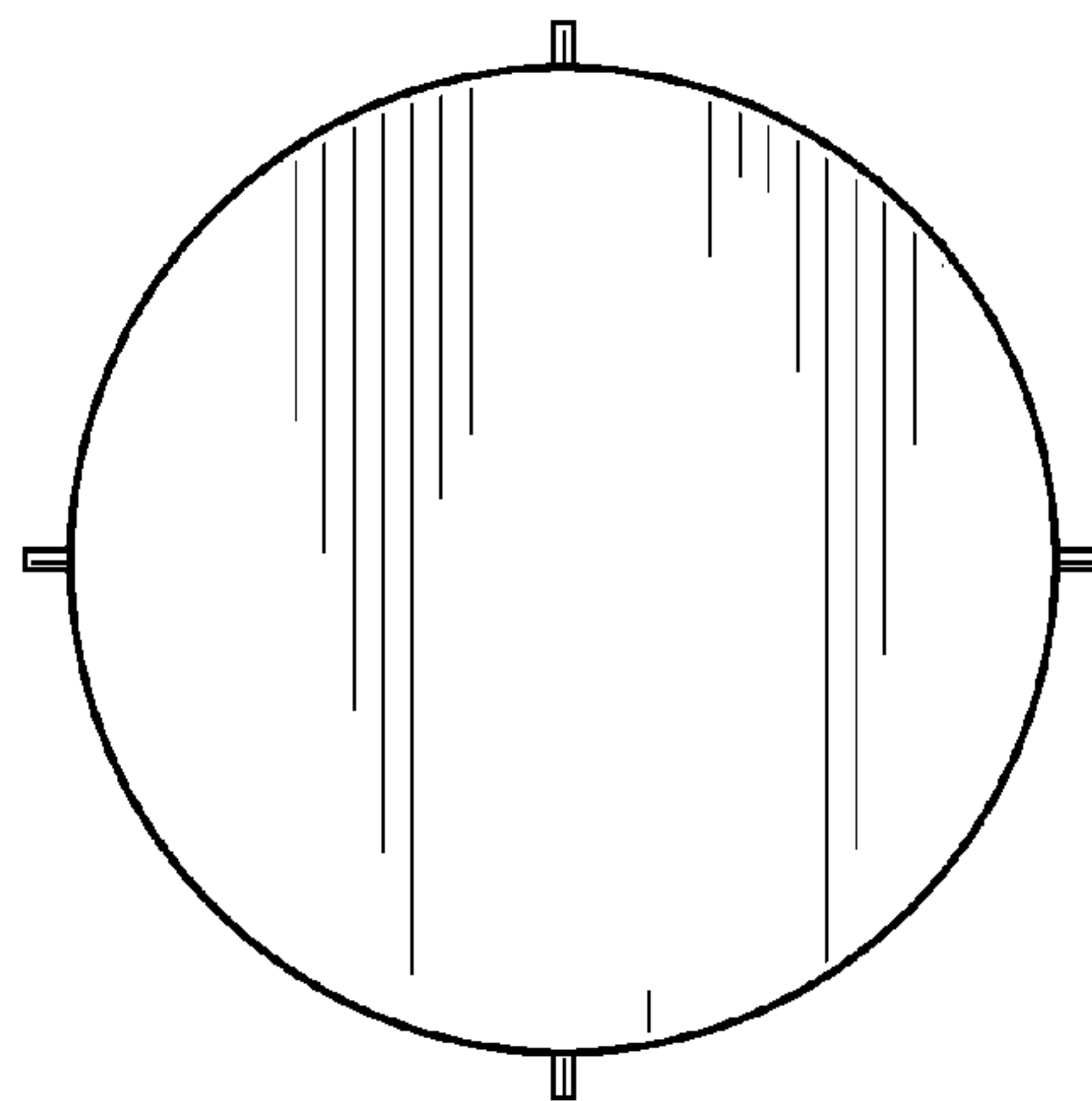


FIG. 7



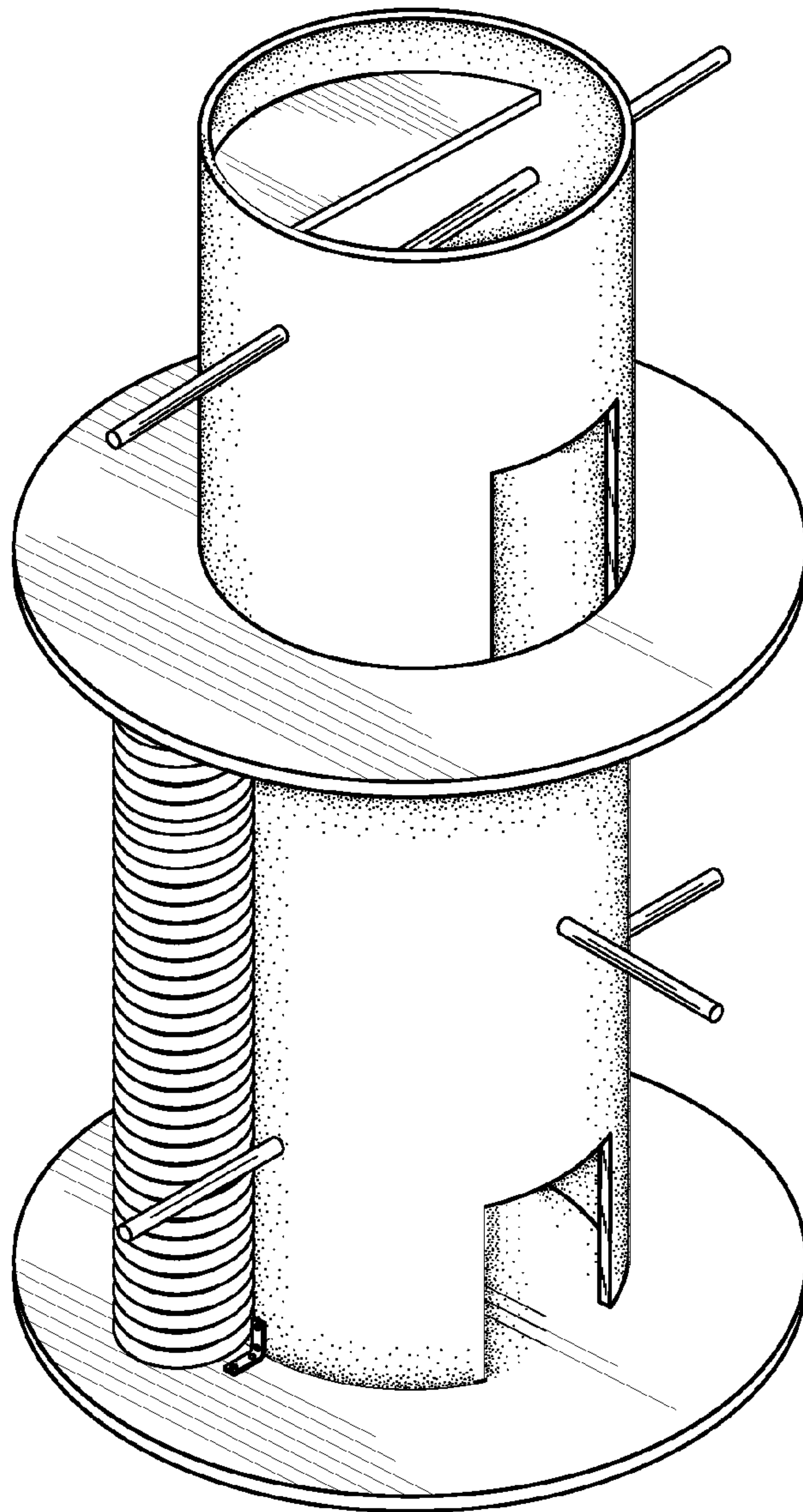


FIG. 8

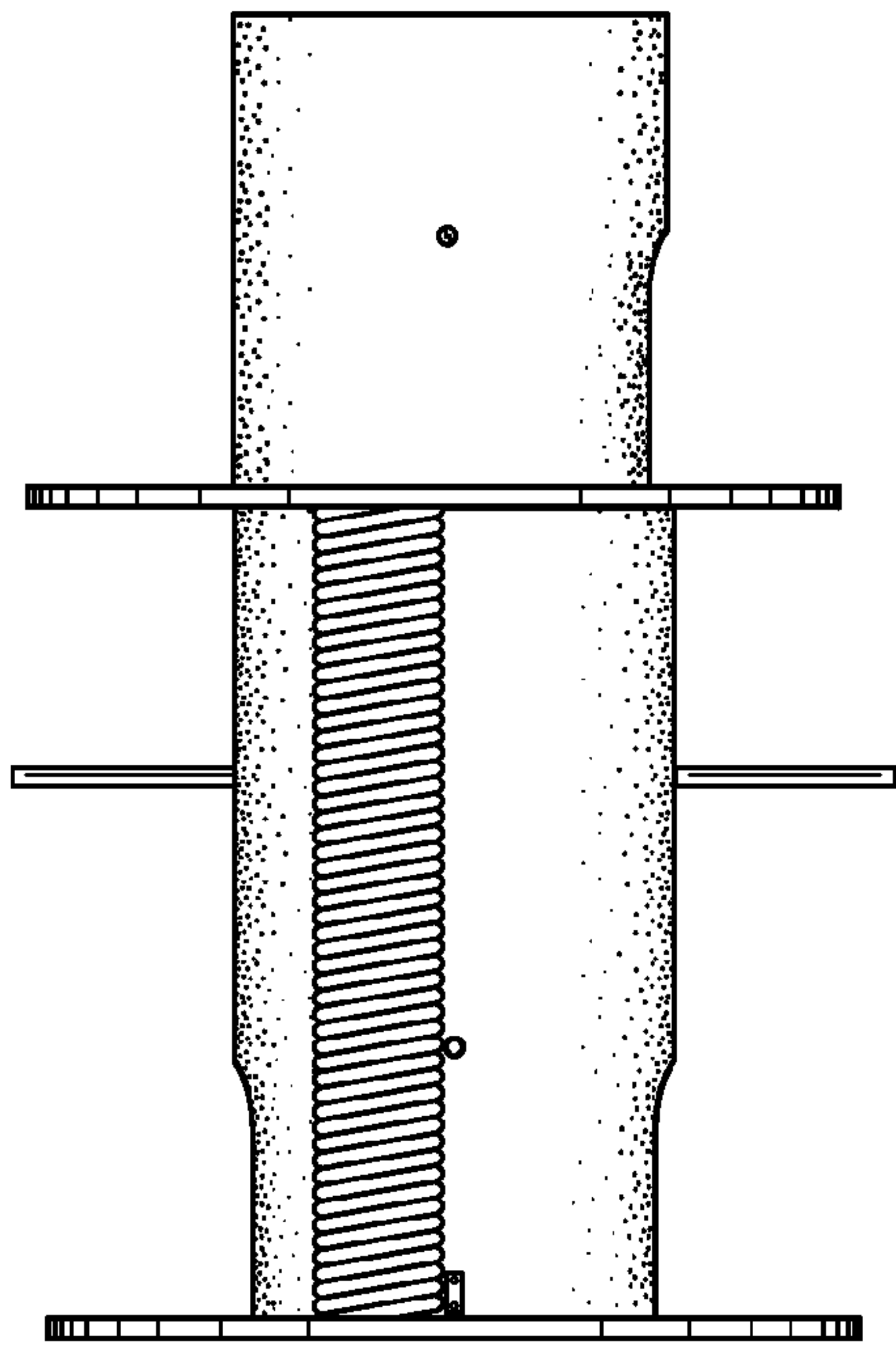


FIG. 9

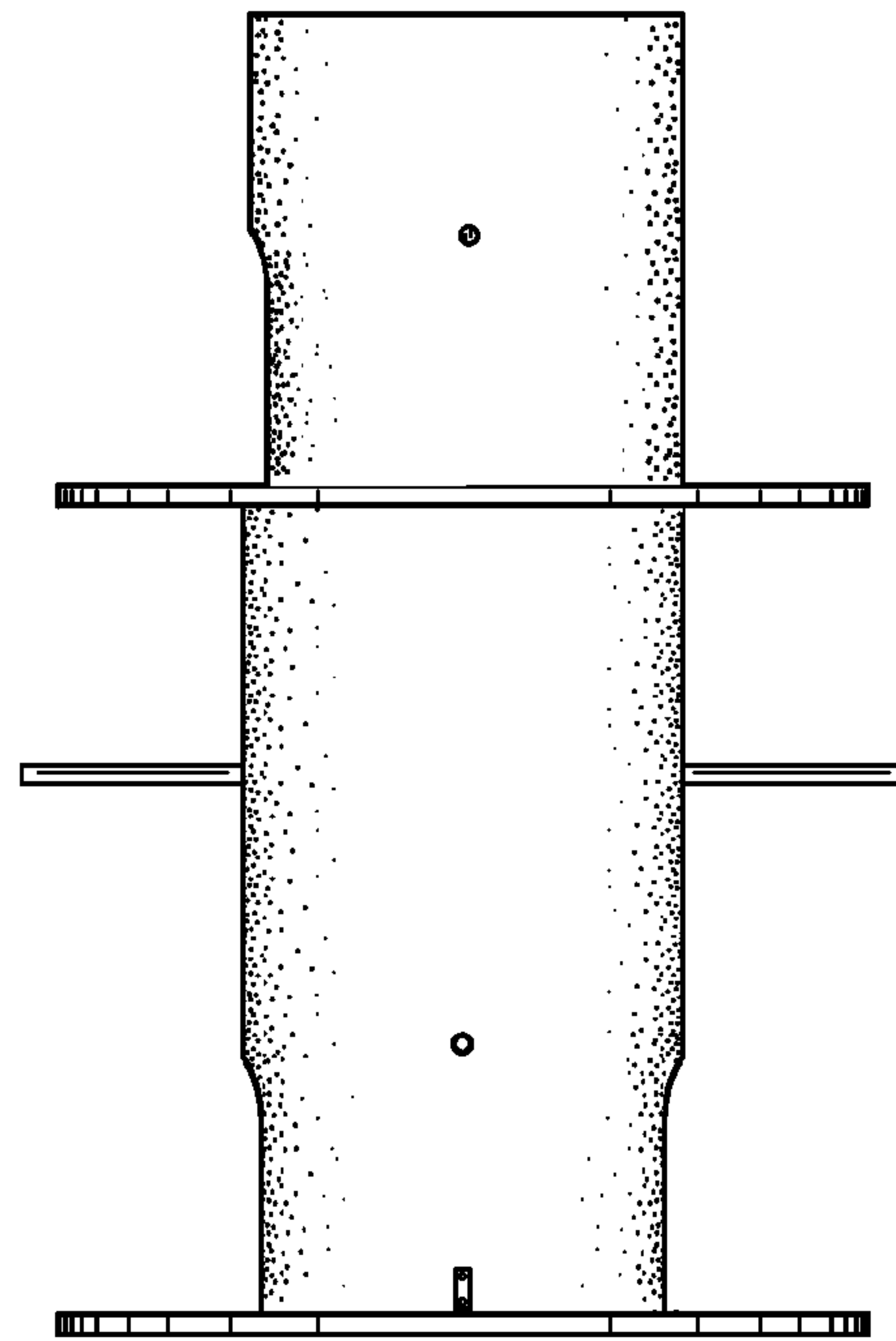


FIG. 10

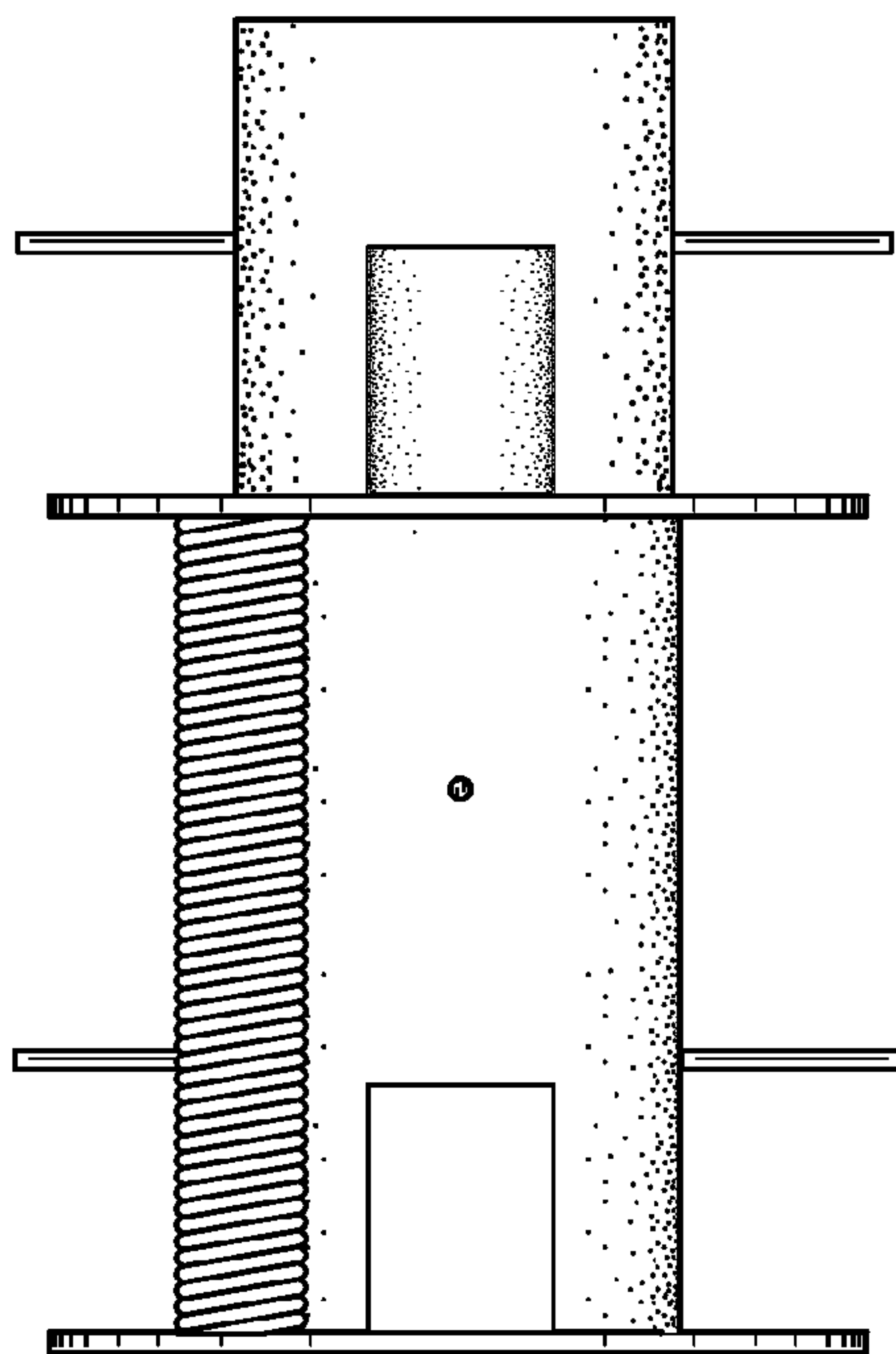


FIG. 11

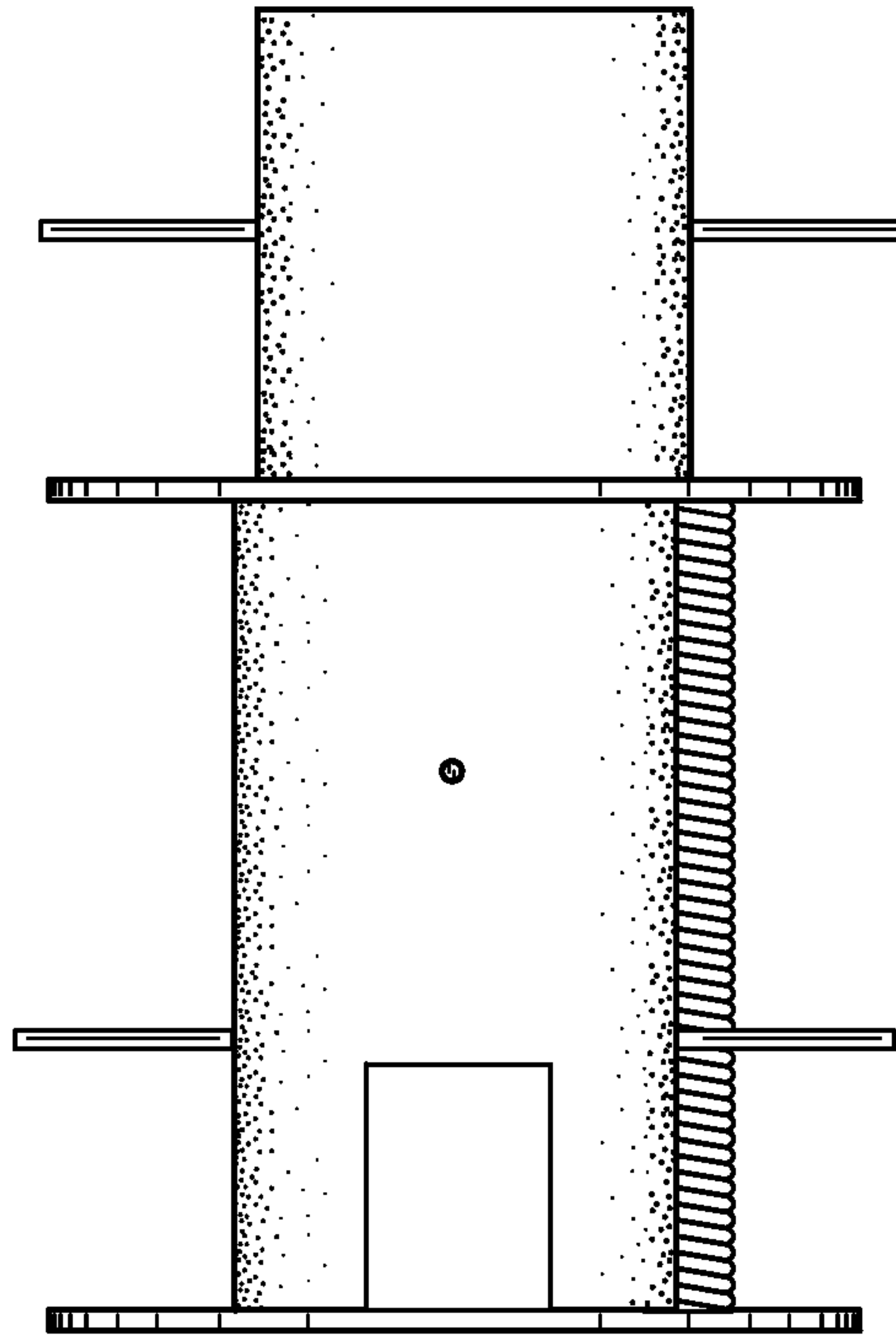


FIG. 12

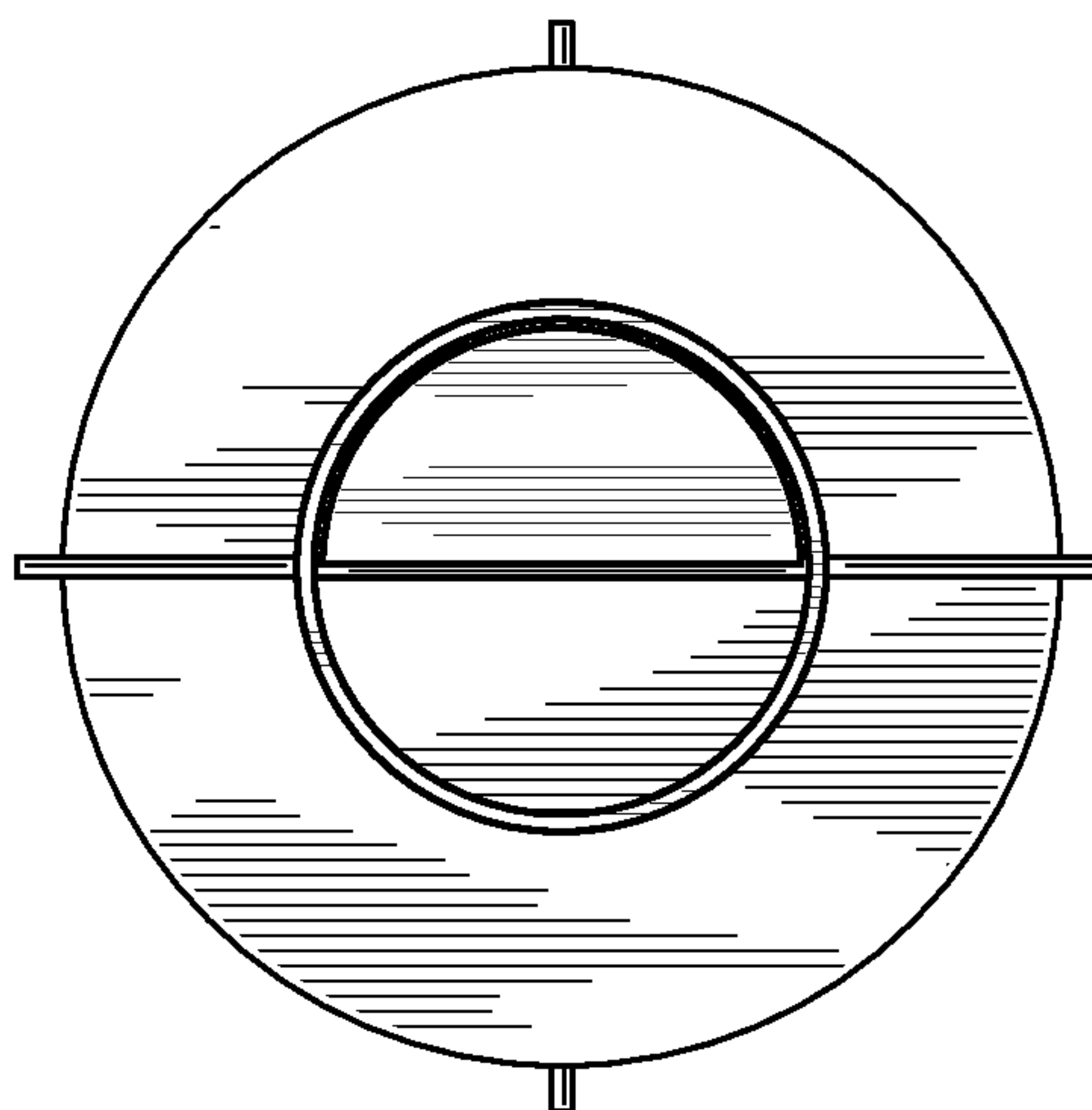


FIG. 13