



US00D685535S

(12) **United States Design Patent**
Lander

(10) **Patent No.:** **US D685,535 S**

(45) **Date of Patent:** **** Jul. 2, 2013**

(54) **HOOF BOOT HEEL CAPTIVATOR**

(71) Applicant: **Kirt Lander**, Kingman, AZ (US)

(72) Inventor: **Kirt Lander**, Kingman, AZ (US)

(**) Term: **14 Years**

(21) Appl. No.: **29/438,317**

(22) Filed: **Nov. 28, 2012**

(51) **LOC (9) Cl.** **30-01**

(52) **U.S. Cl.**
USPC **D30/146**

(58) **Field of Classification Search**
USPC D30/146, 148; 119/814, 850; 36/111;
168/1-4, 12, 17, 18, 22, 26, 28; 54/82
See application file for complete search history.

(56) **References Cited**

U.S. PATENT DOCUMENTS

584,866	A *	6/1897	Flint	168/1
858,272	A *	6/1907	Fennell	54/82
3,967,683	A *	7/1976	Ensinozo	168/4
4,470,466	A *	9/1984	Nakanishi	168/18
D285,499	S *	9/1986	Nakanishi	D30/149
7,302,788	B1 *	12/2007	Chang	54/82

D603,107	S *	10/2009	Lander	D30/146
D608,507	S *	1/2010	Lander	D30/146
2010/0230117	A1 *	9/2010	Colquhoun	168/1

* cited by examiner

Primary Examiner — Susan M Lee

Assistant Examiner — Linda G Brooks

(74) *Attorney, Agent, or Firm* — Venable, Campillo, Logan & Meaney, P.C.

(57) **CLAIM**

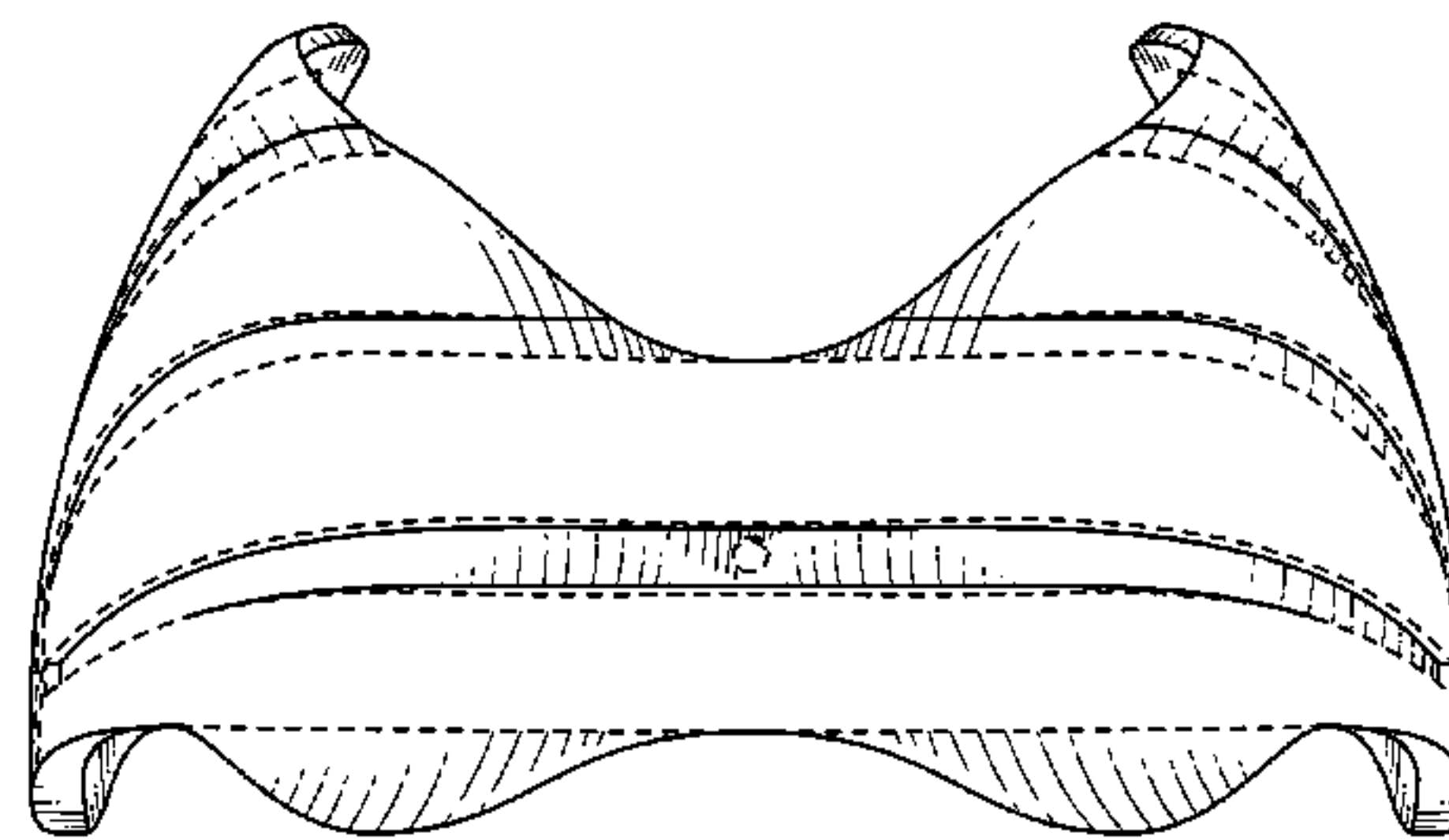
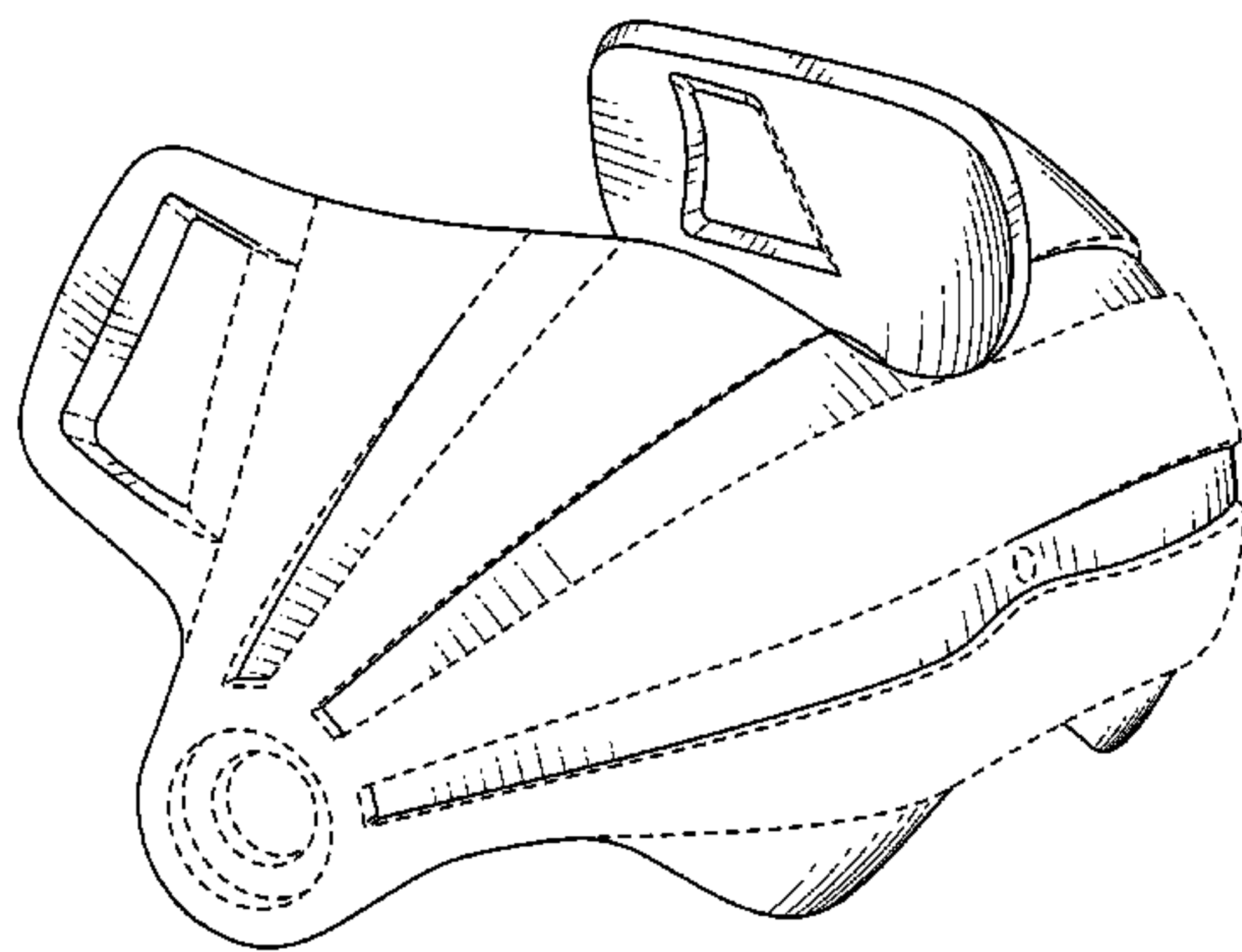
The ornamental design for a hoof boot heel captivator, as shown and described.

DESCRIPTION

FIG. 1 is a perspective view of a hoof boot heel captivator; FIG. 2 is a back view thereof; FIG. 3 is a front view thereof; FIG. 4 is a left side view thereof; FIG. 5 is a right side view thereof; FIG. 6 is a top view thereof; and, FIG. 7 is a bottom view thereof.

The broken lines immediately adjacent the shaded areas represent the bounds of the claimed design while all other broken lines are directed to environment; the broken lines form no part of the claimed design.

1 Claim, 4 Drawing Sheets



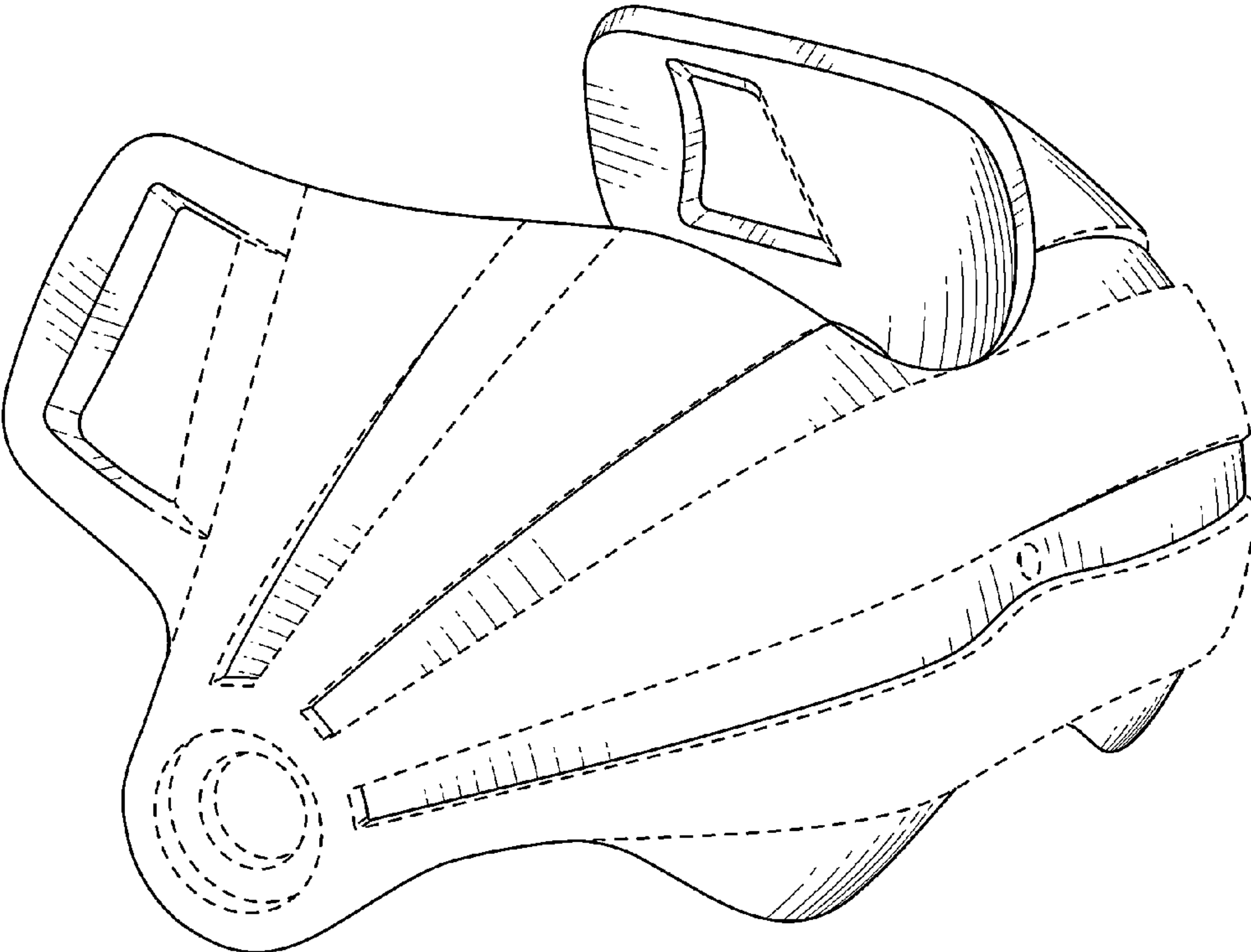


FIG. 1

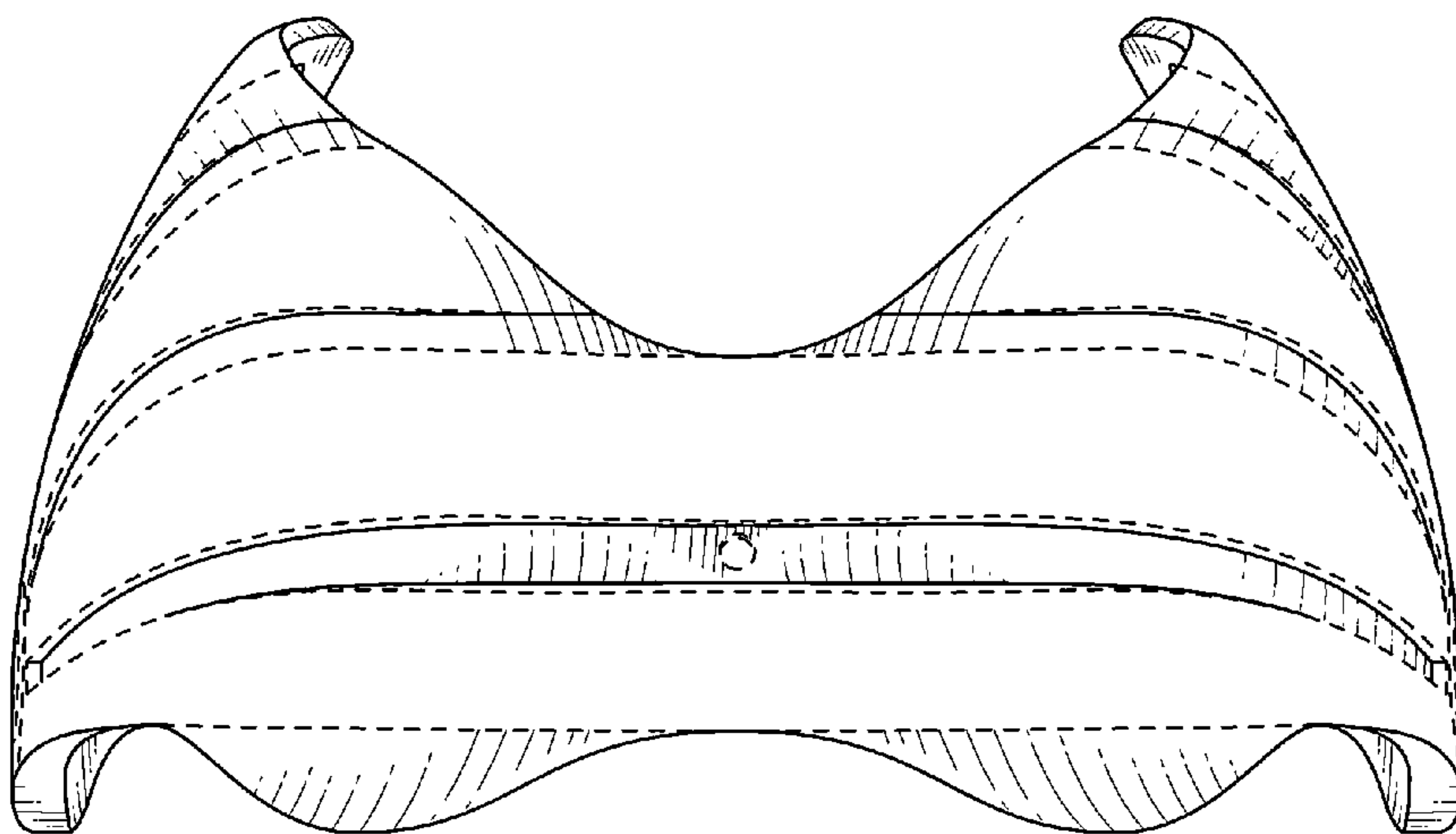


FIG. 2

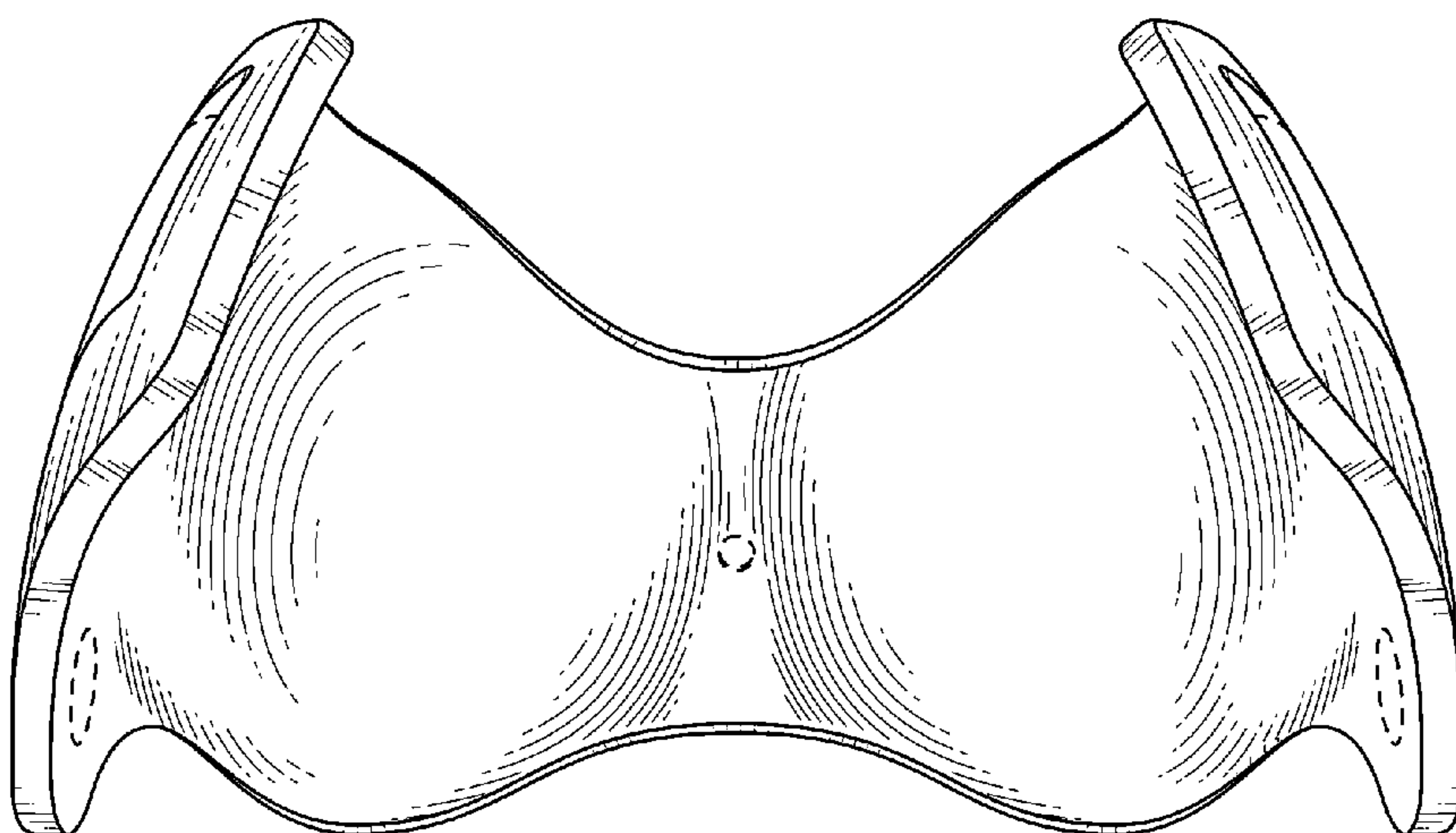


FIG. 3

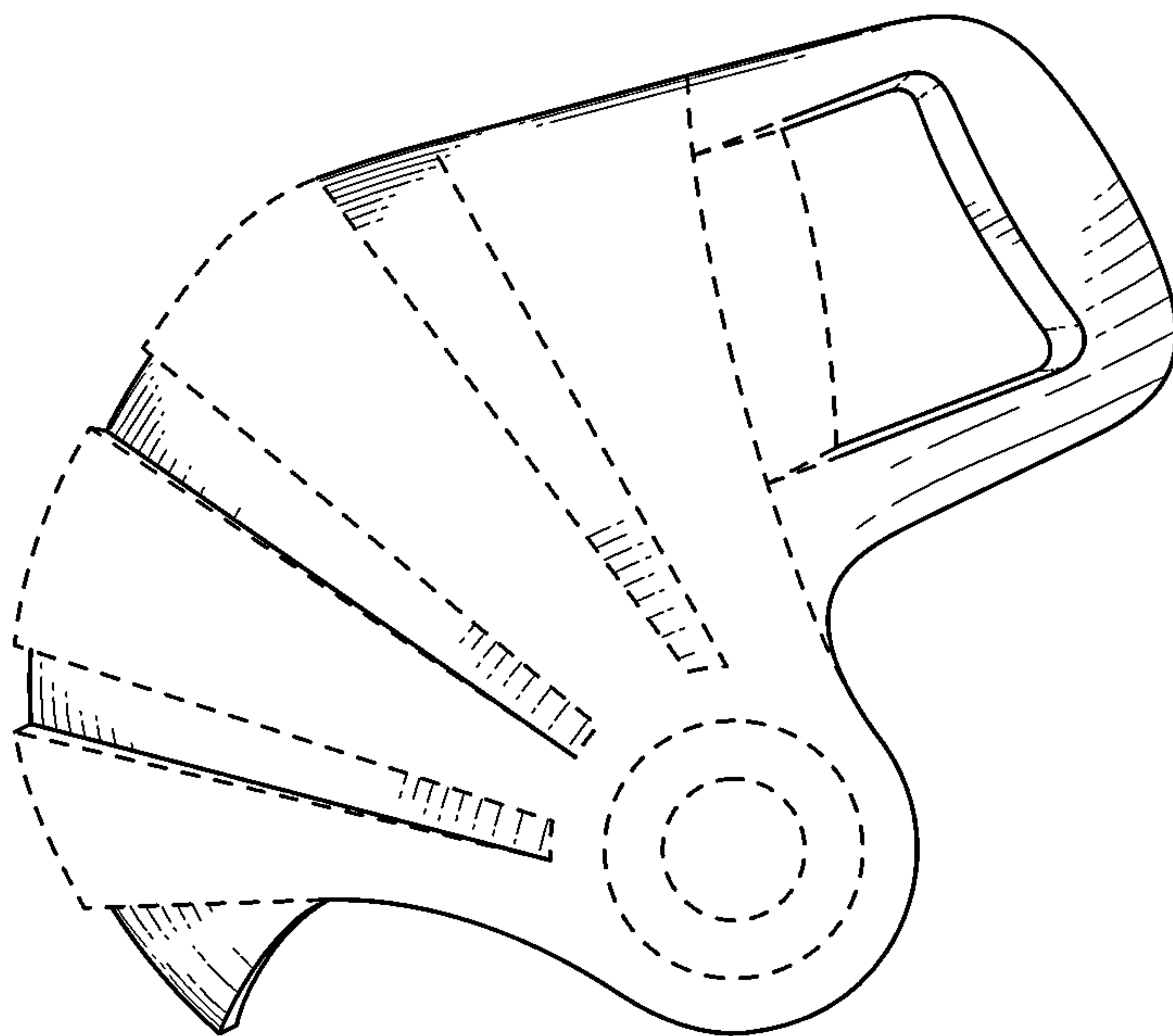


FIG. 4

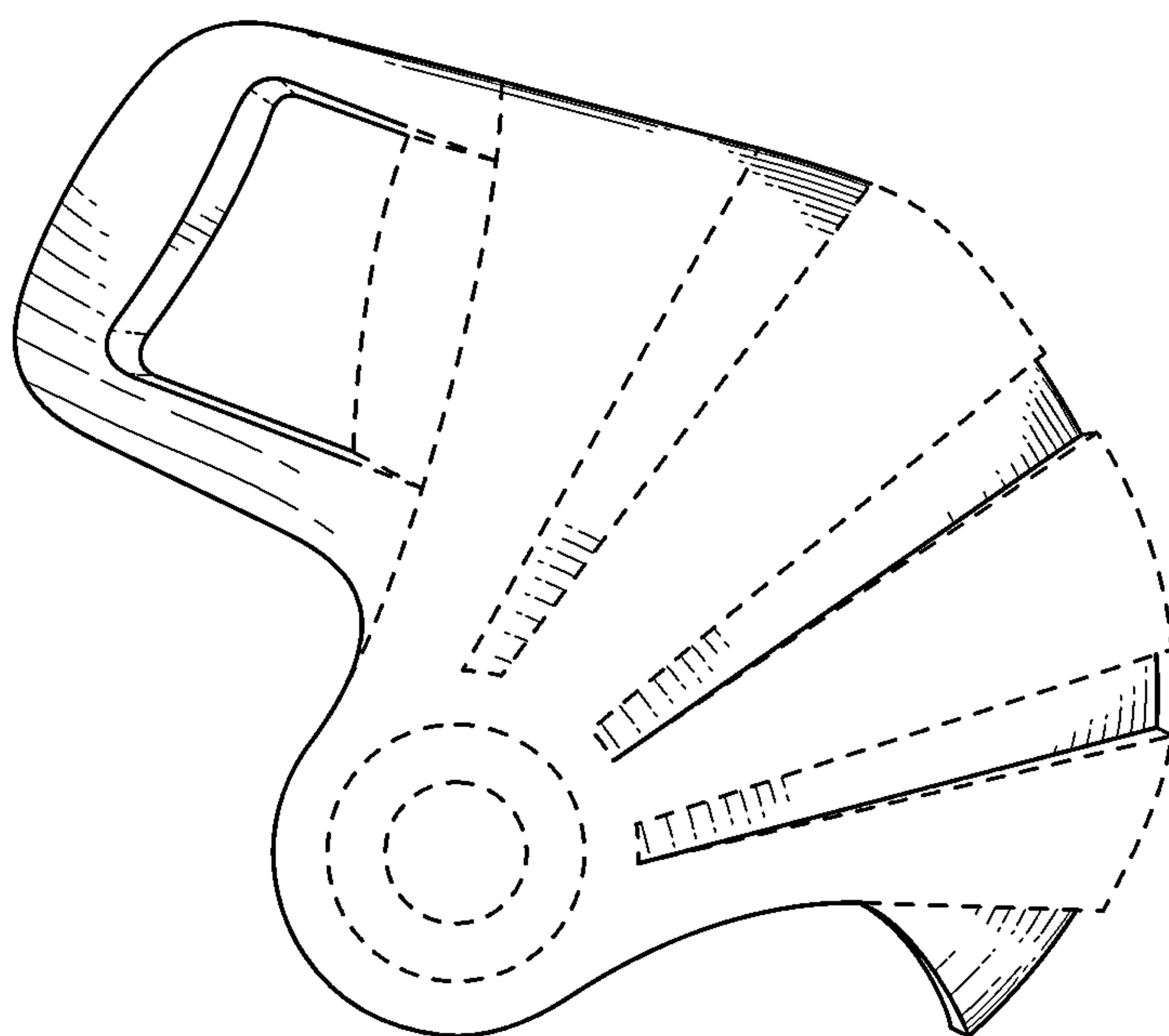


FIG. 5

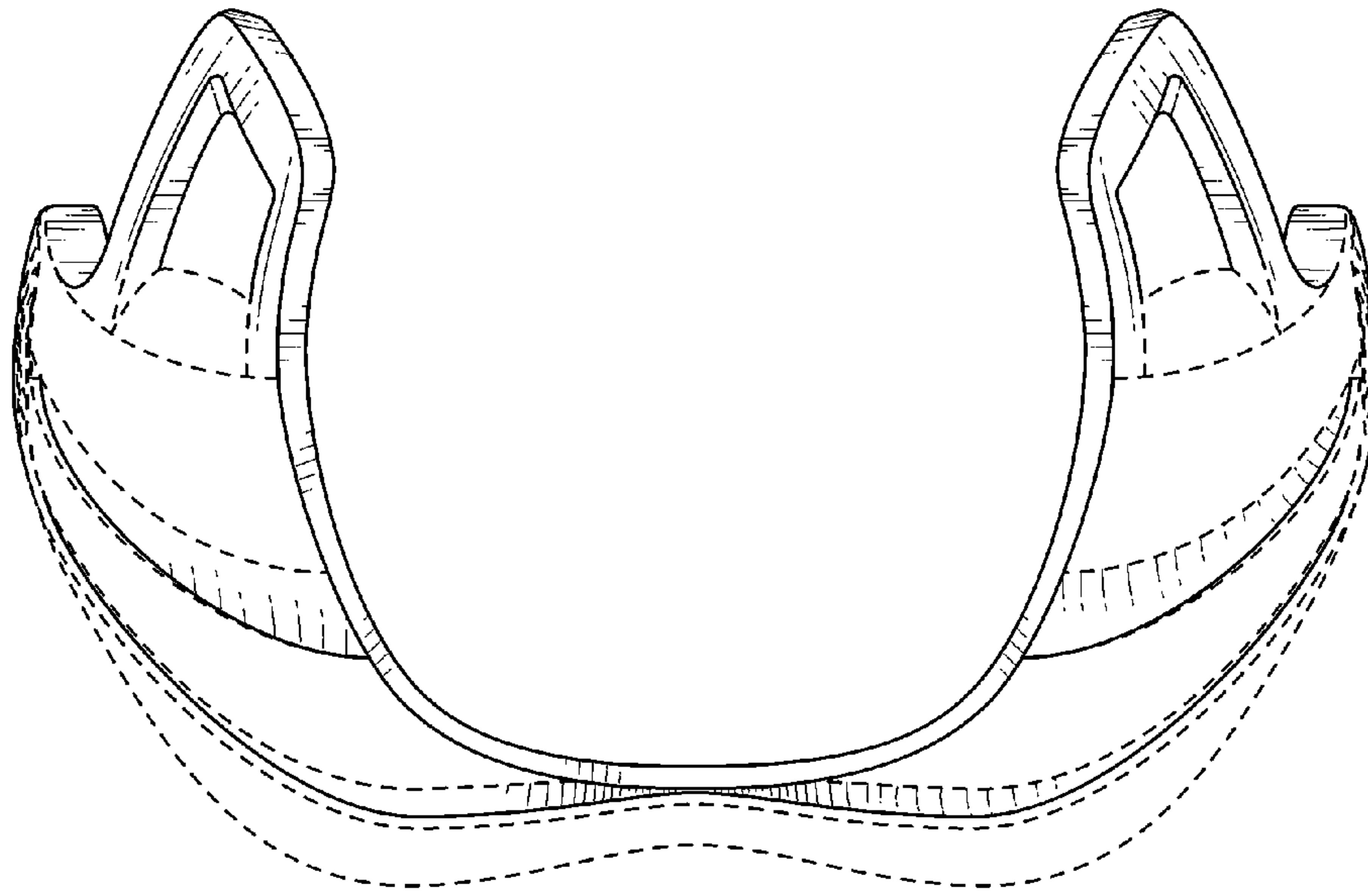


FIG. 6

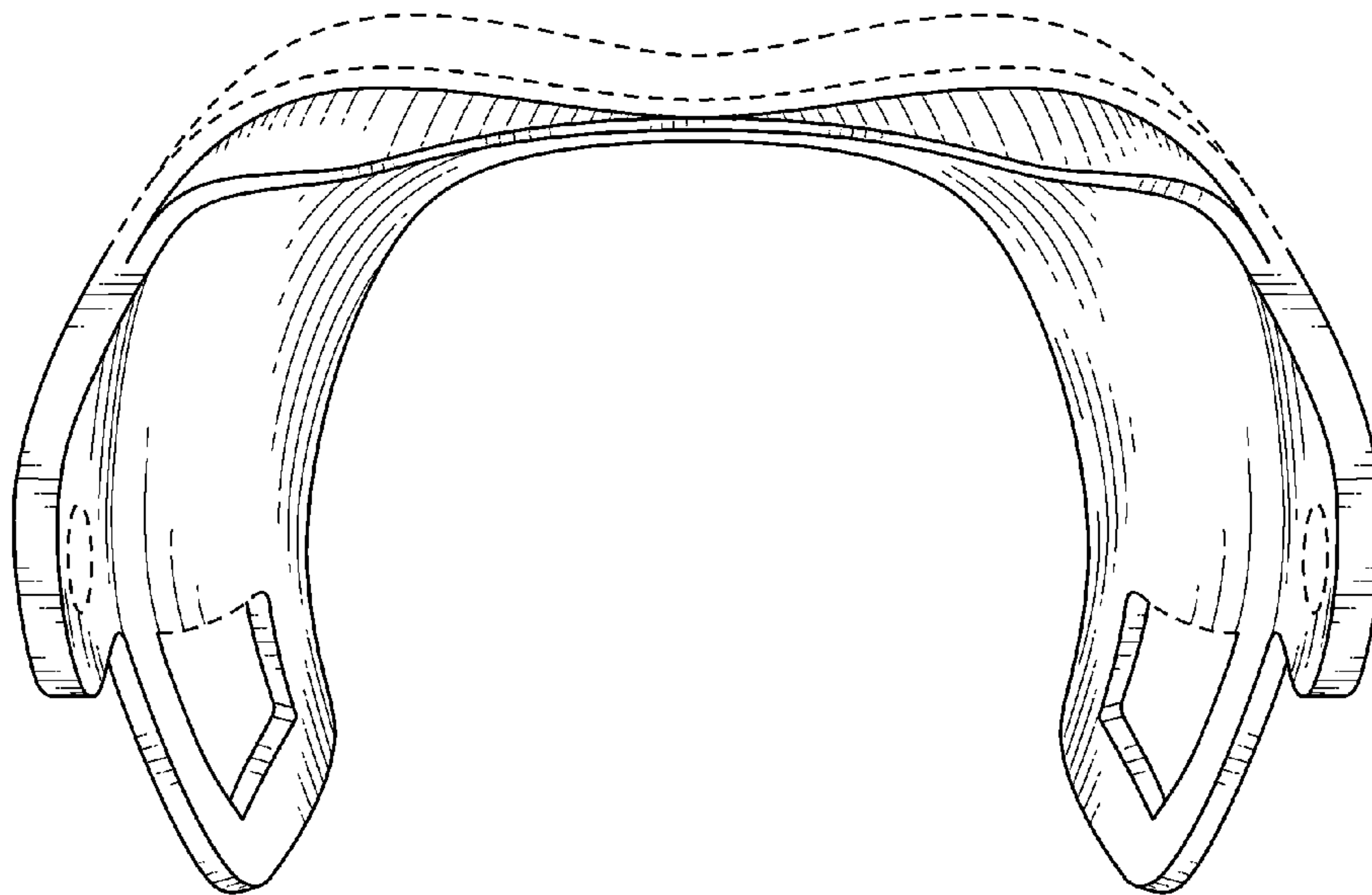


FIG. 7