



US00D685534S

(12) **United States Design Patent**  
**Selayandia, III**

(10) **Patent No.:** **US D685,534 S**  
(45) **Date of Patent:** **\*\* Jul. 2, 2013**

(54) **CANINE BACK PACK**

(76) **Inventor:** **Fred B. Selayandia, III**, Monrovia, CA  
(US)

(\*\*) **Term:** **14 Years**

(21) **Appl. No.:** **29/414,193**

(22) **Filed:** **Feb. 25, 2012**

(51) **LOC (9) Cl.** ..... **30-01**

(52) **U.S. Cl.**  
USPC ..... **D30/145; D30/152**

(58) **Field of Classification Search**  
USPC ..... D30/144, 145, 146, 151, 152, 153,  
D30/199; D3/216, 217, 228, 231; 54/79.1,  
54/79.2, 79.3, 79.4; 119/850, 856, 865  
See application file for complete search history.

7,281,363	B2	10/2007	Woerner	
D585,606	S	1/2009	Kennedy	
D611,663	S *	3/2010	Bergschneider et al.	.... D30/152
7,918,192	B1 *	4/2011	Digh et al.	..... 119/850
D651,767	S *	1/2012	Dias	..... D30/153
D653,409	S *	1/2012	Elliott	..... D30/152
D653,411	S *	1/2012	Elliott	..... D30/152
2004/0200438	A1	10/2004	Jeffrey	
2005/0072376	A1	4/2005	Kerrigan	
2007/0187442	A1	8/2007	Martin	
2010/0161015	A1 *	6/2010	Wilson et al.	..... 607/112

\* cited by examiner

*Primary Examiner* — Caron D Veynar

*Assistant Examiner* — Martie K Holtje

(74) *Attorney, Agent, or Firm* — QuickPatents; Kevin Prince

(57) **CLAIM**

I claim the ornamental design for a canine back pack, as shown and described.

(56) **References Cited**

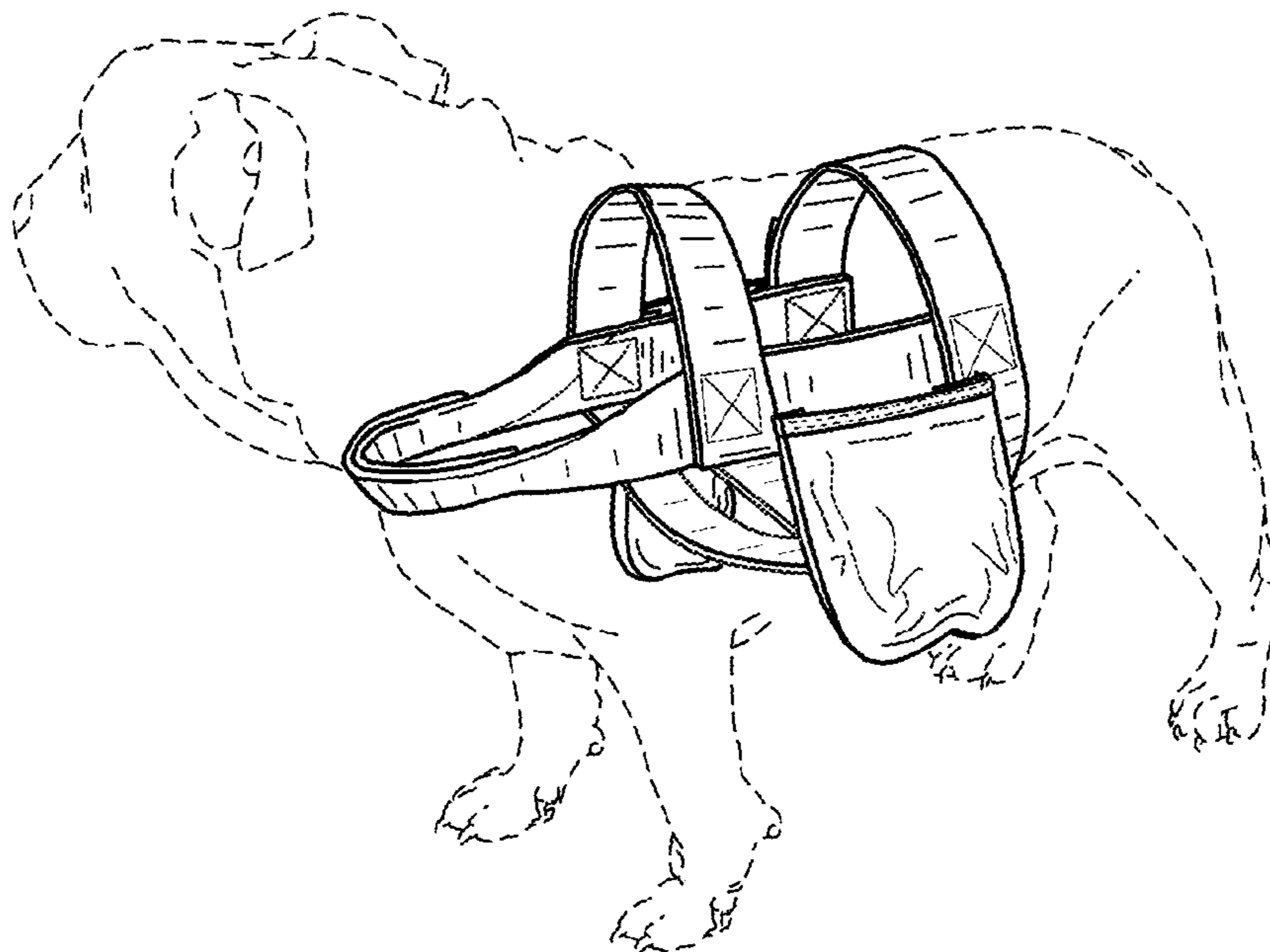
U.S. PATENT DOCUMENTS

4,559,906	A	12/1985	Smith	
D313,677	S	1/1991	Nelson et al.	
5,184,762	A	2/1993	Nevitt	
5,560,321	A	10/1996	Hess	
5,586,521	A	12/1996	Kelley	
5,644,902	A	7/1997	Kemp	
D383,255	S	9/1997	Caditz	
D384,780	S	10/1997	McLaughlin	
D429,390	S *	8/2000	Grady et al.	..... D30/152
D429,391	S	8/2000	Grady et al.	
D457,988	S	5/2002	Kerrigan	
6,571,745	B2	6/2003	Kerrigan	
D480,843	S	10/2003	Sullivan	
6,637,367	B1 *	10/2003	Dost et al.	..... 119/28.5
6,912,976	B2	7/2005	Everett	

**DESCRIPTION**

FIG. 1 is a perspective view of a canine back pack, showing my new design as worn by a dog;  
FIG. 2 is a perspective view thereof, illustrated in a flat configuration;  
FIG. 3 is a top plan view of FIG. 2;  
FIG. 4 is a bottom plan view of FIG. 2;  
FIG. 5 is an enlarged rear elevational view of FIG. 2;  
FIG. 6 is an enlarged front elevational view of FIG. 2; and,  
FIG. 7 is a left-side elevational view of FIG. 2, the right-side elevational view being a mirror image thereof.  
The broken lines in the figures depict environmental matter and form no part of the claimed design.

**1 Claim, 3 Drawing Sheets**



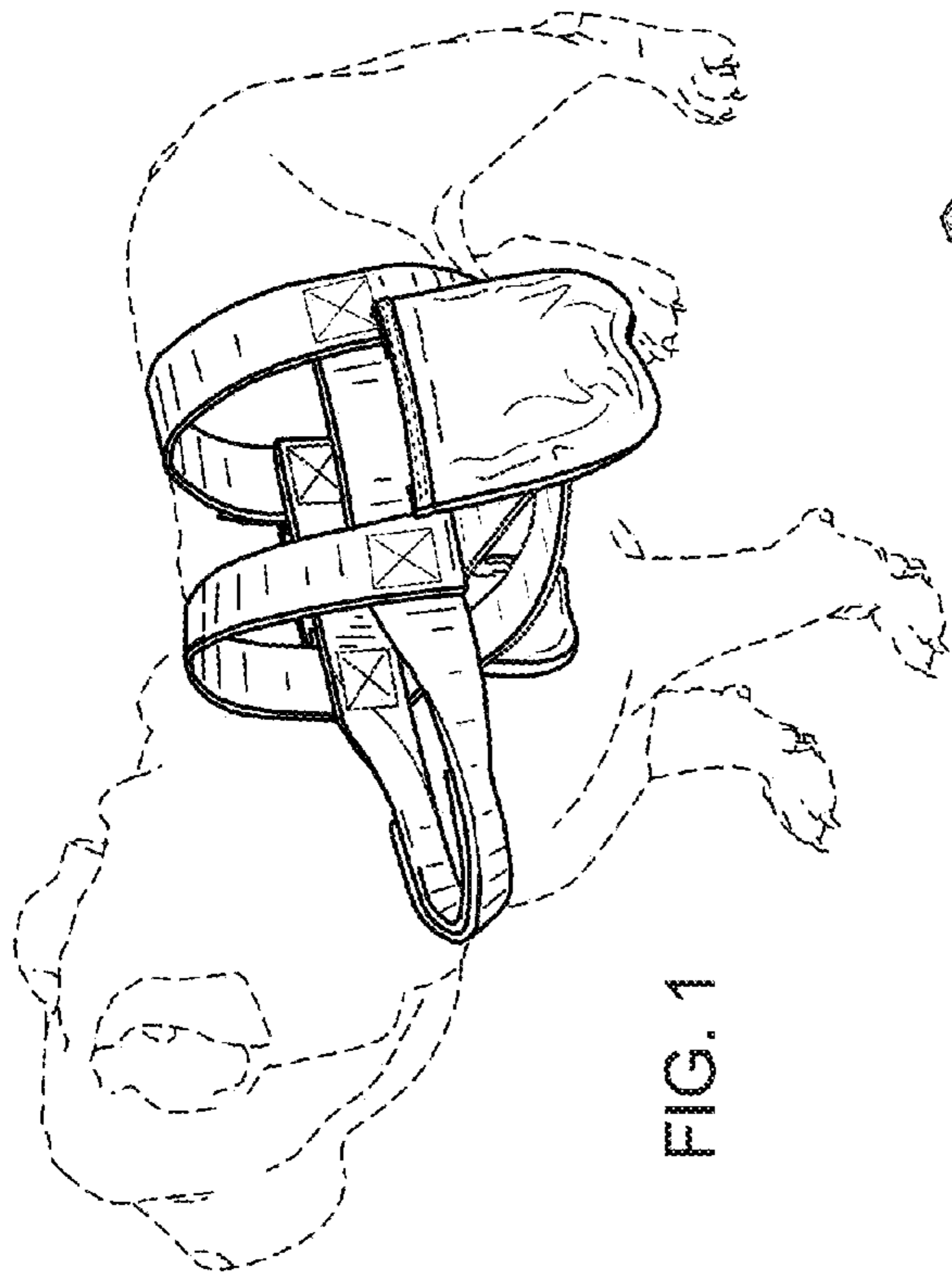


FIG. 1

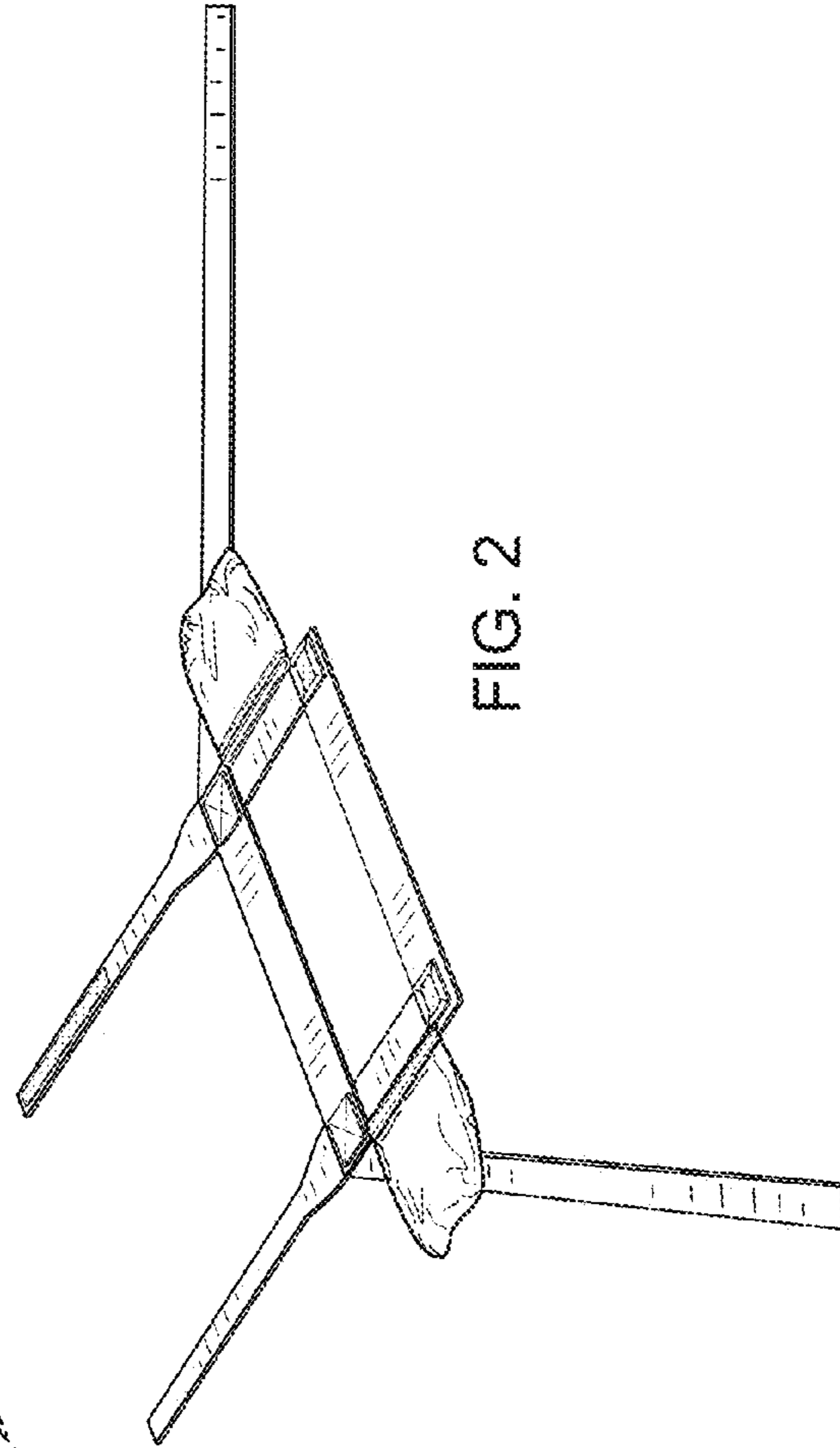


FIG. 2

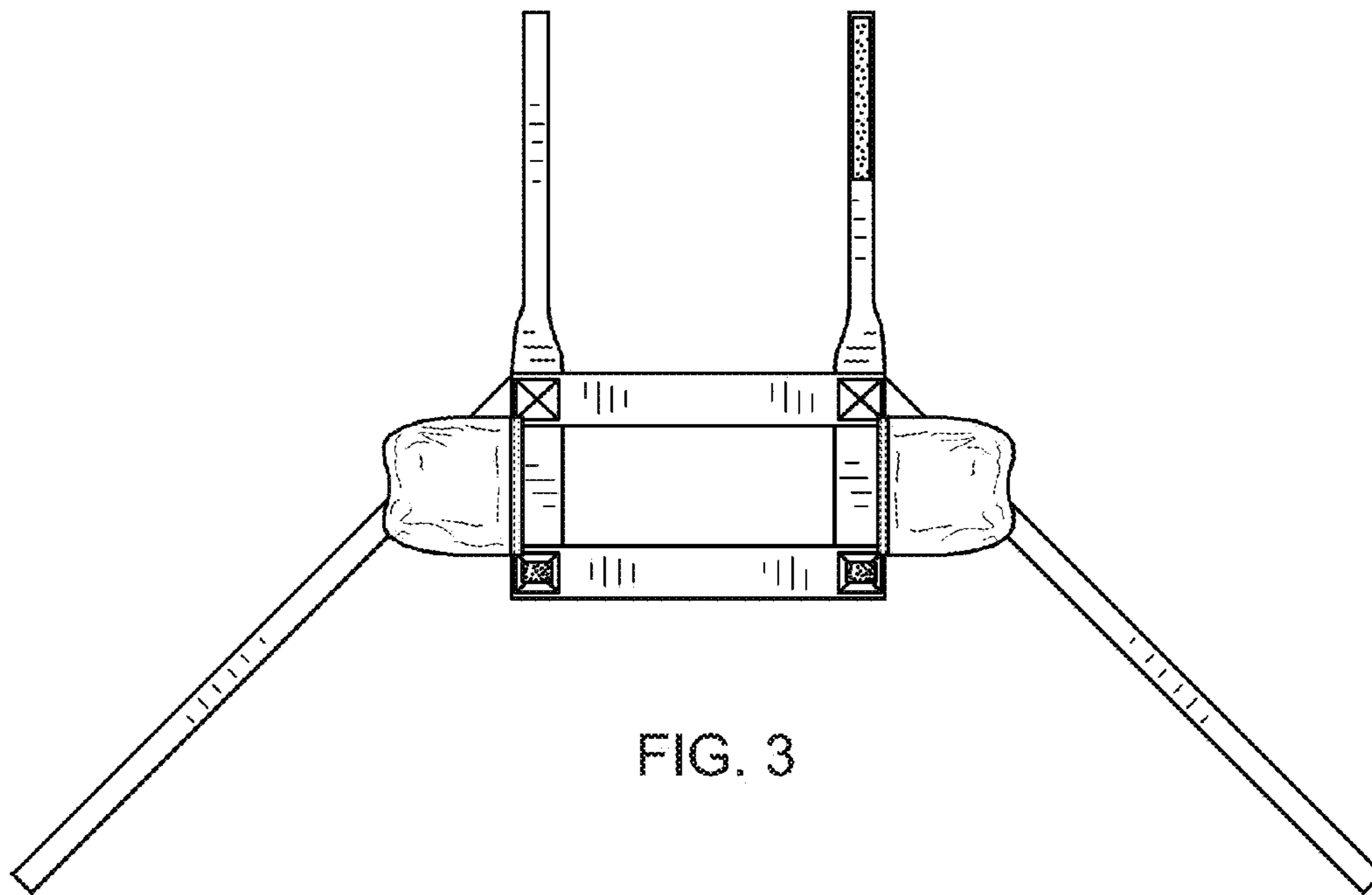


FIG. 3

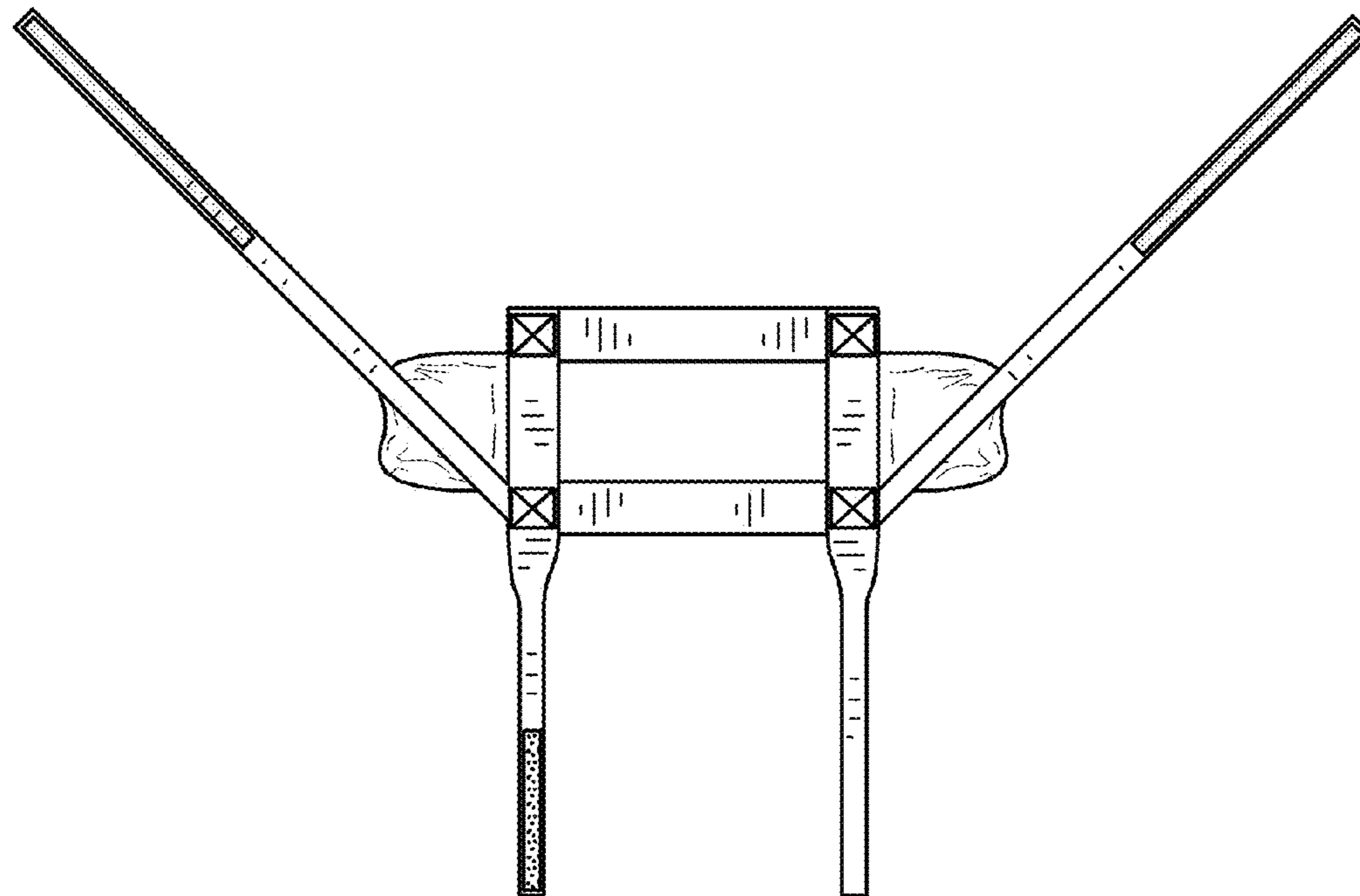


FIG. 4

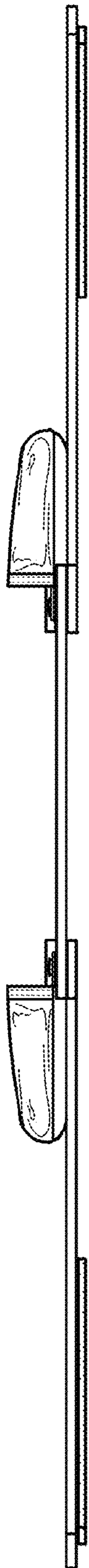


FIG. 5

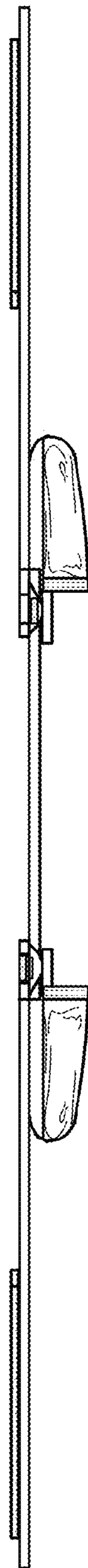


FIG. 6

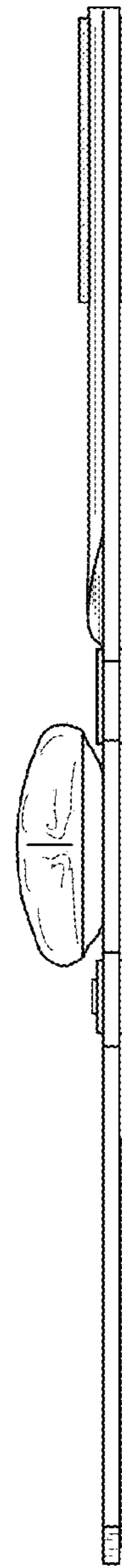


FIG. 7