

US00D685528S

(12) **United States Design Patent**
Chang

(10) **Patent No.:** **US D685,528 S**

(45) **Date of Patent:** **** Jul. 2, 2013**

(54) **LIPSTICK CASE**

(71) Applicant: **Chia-Sheng Chang**, Taichung (TW)

(72) Inventor: **Chia-Sheng Chang**, Taichung (TW)

(**) Term: **14 Years**

(21) Appl. No.: **29/440,226**

(22) Filed: **Dec. 20, 2012**

(51) **LOC (9) Cl.** **28-03**

(52) **U.S. Cl.**
USPC **D28/89**

(58) **Field of Classification Search**
USPC 206/385, 823, 581; D28/76, 85-90,
D28/7; 132/317, 218; 401/68-79, 126-130,
401/202
See application file for complete search history.

(56) **References Cited**

U.S. PATENT DOCUMENTS

- 3,591,298 A * 7/1971 Green 401/7
- 4,108,558 A * 8/1978 Radice et al. 401/78
- 4,991,987 A * 2/1991 Holloway et al. 401/78
- D454,983 S * 3/2002 Look D28/77

- D466,252 S * 11/2002 Yu D28/88
- D467,038 S * 12/2002 Restrepo D28/85
- D538,480 S * 3/2007 Chen D28/88
- D661,024 S * 5/2012 Bakic D28/76
- 2013/0004442 A1* 1/2013 Bui et al. 424/59

* cited by examiner

Primary Examiner — Jennifer Rivard

(74) *Attorney, Agent, or Firm* — Leong C. Lei

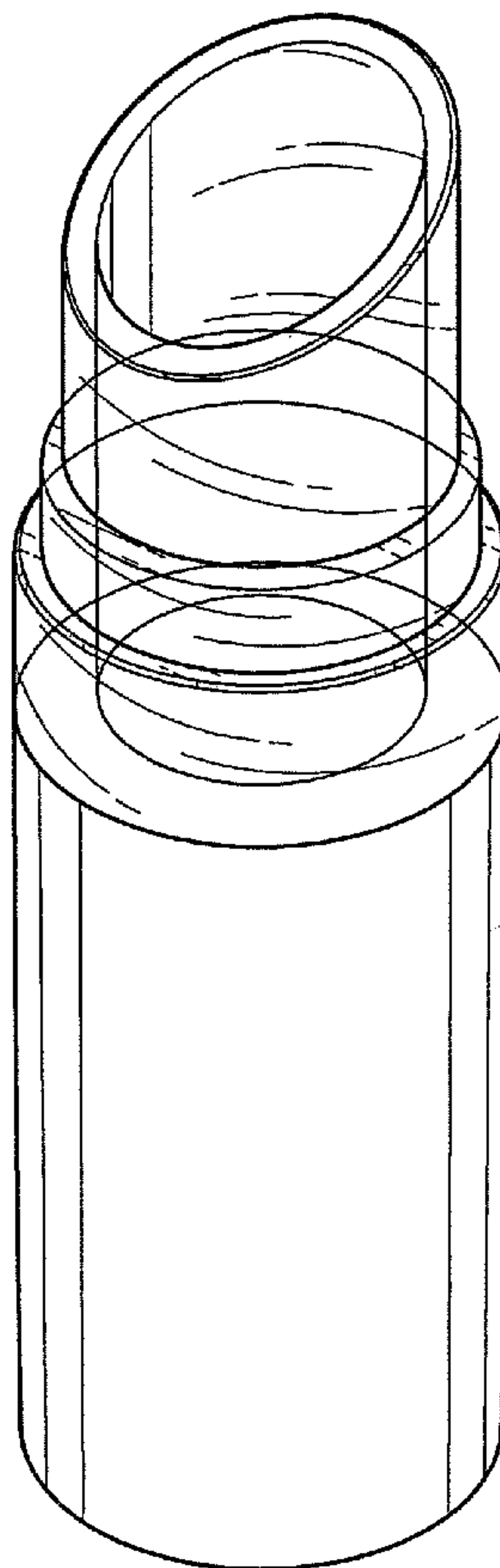
(57) **CLAIM**

The ornamental design for a lipstick case, as shown and described.

DESCRIPTION

FIG. 1 is a front perspective view of a lipstick case showing my new design;
 FIG. 2 is a front elevational view thereof;
 FIG. 3 is a rear elevational view thereof;
 FIG. 4 is a right elevational view thereof;
 FIG. 5 is a left elevational view thereof;
 FIG. 6 is a top plan view thereof; and,
 FIG. 7 is a bottom plan view thereof.
 The broken lines shown in the drawings illustrate a portion of the article and form no part of the claimed design.

1 Claim, 4 Drawing Sheets



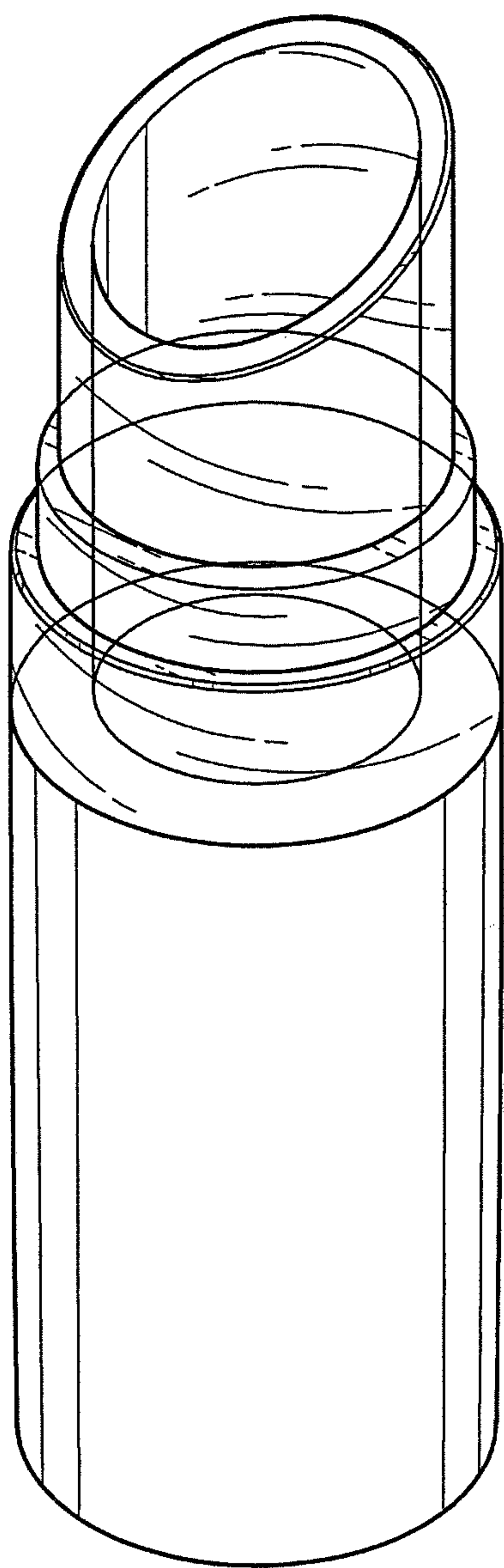


FIG. 1

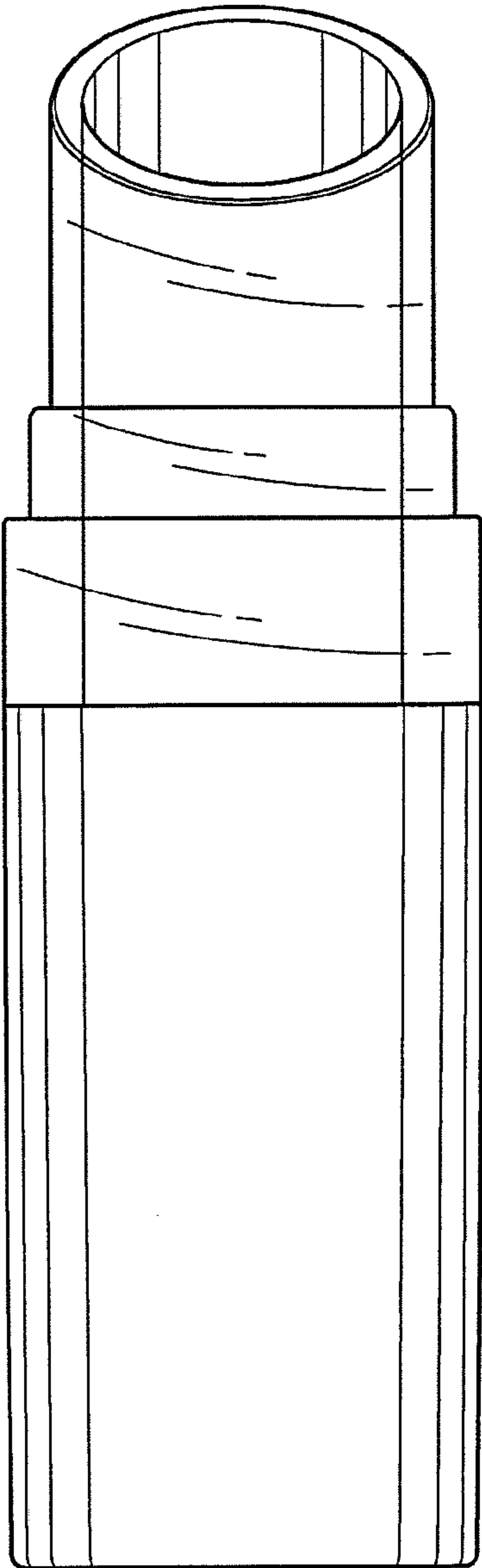


FIG. 2

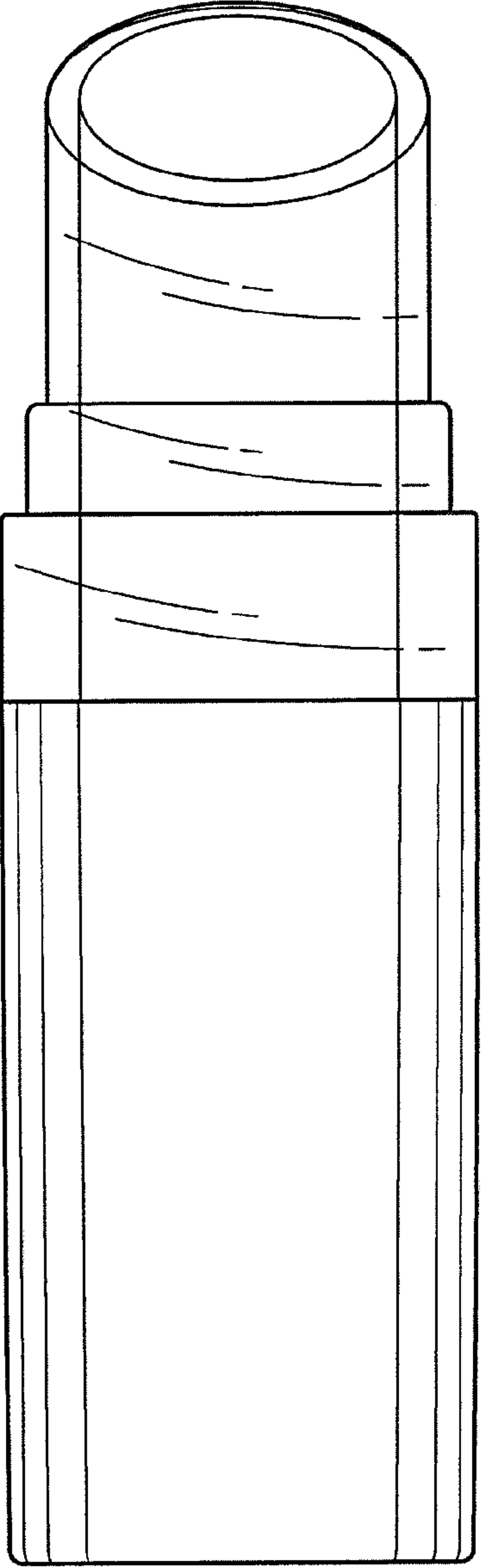


FIG. 3

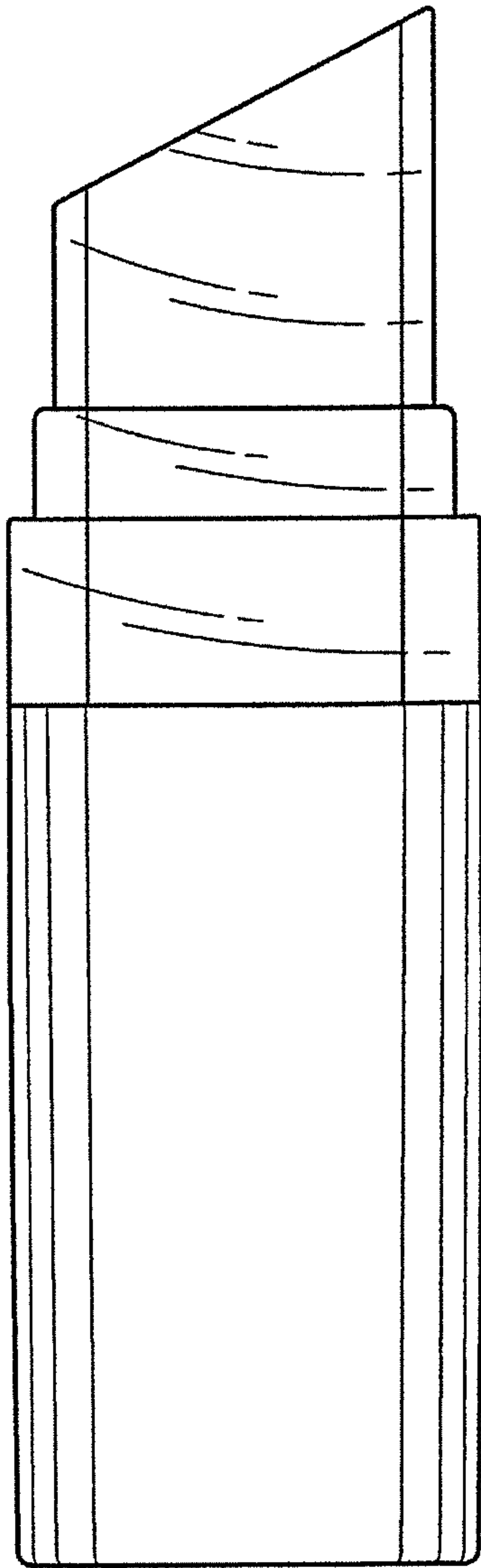


FIG.5

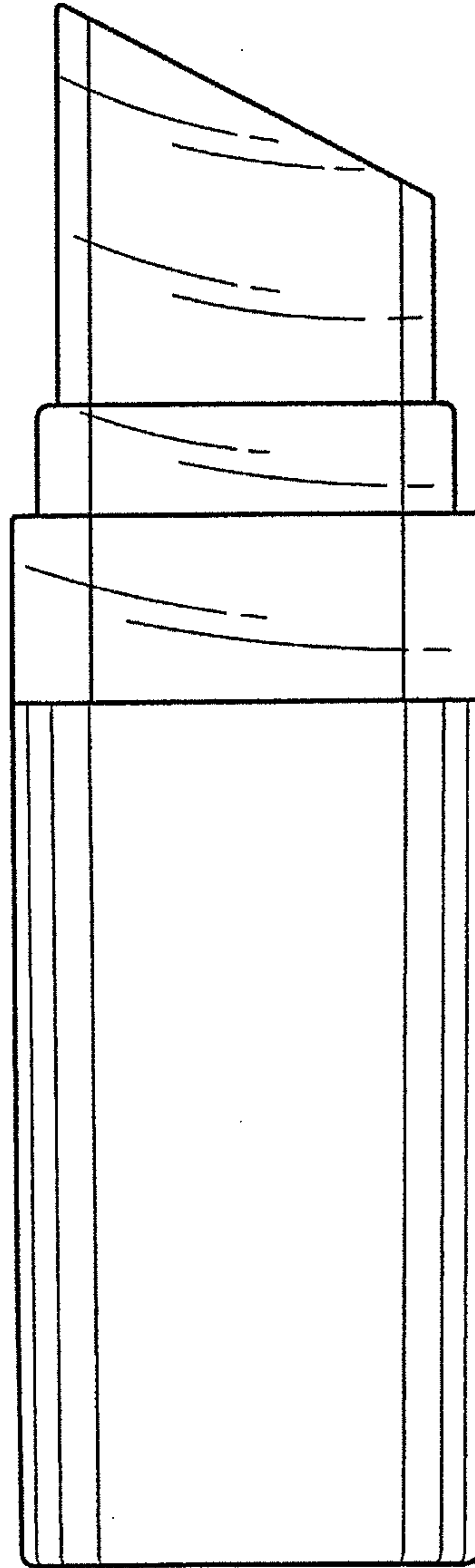


FIG.4

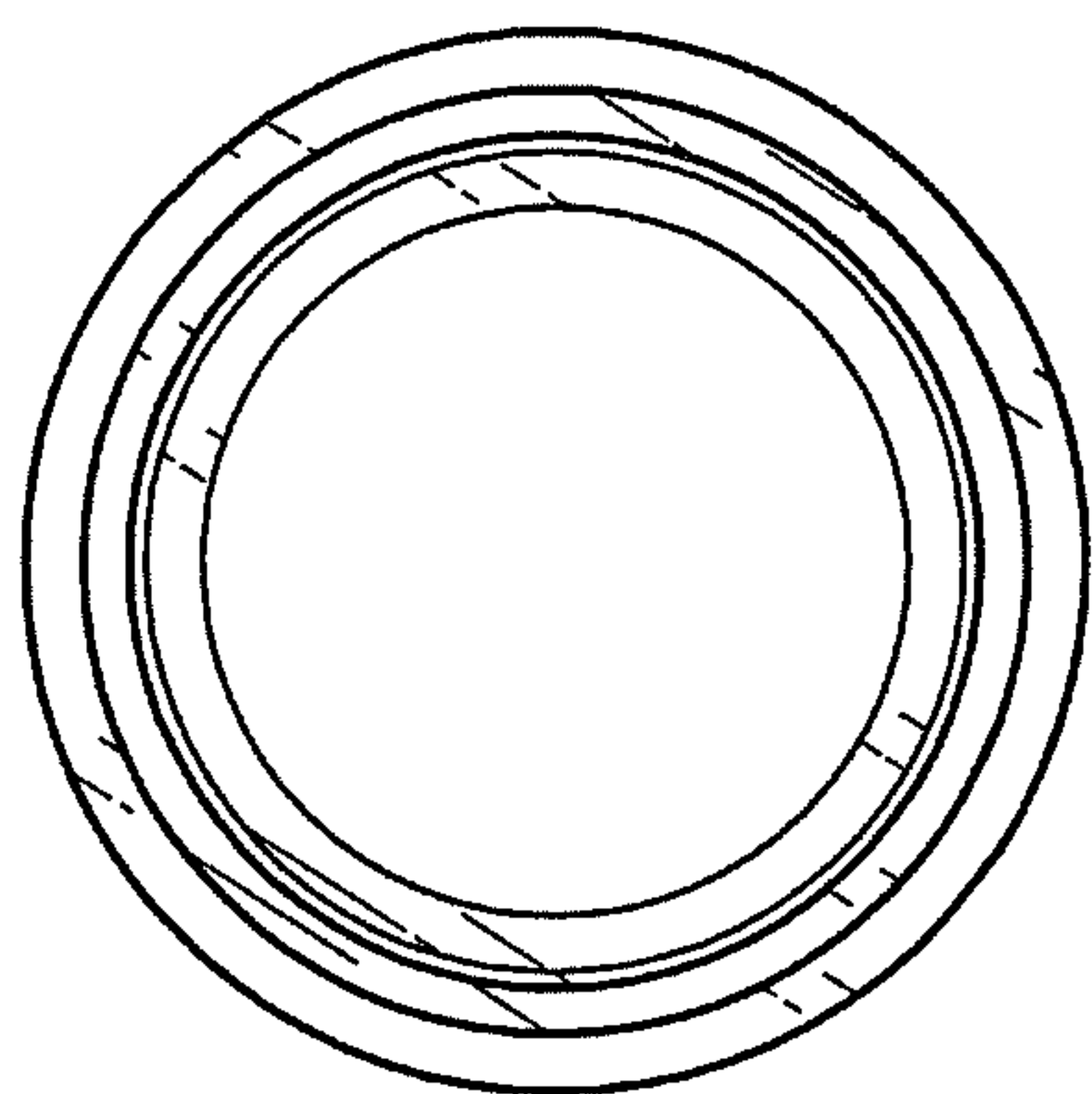


FIG. 6

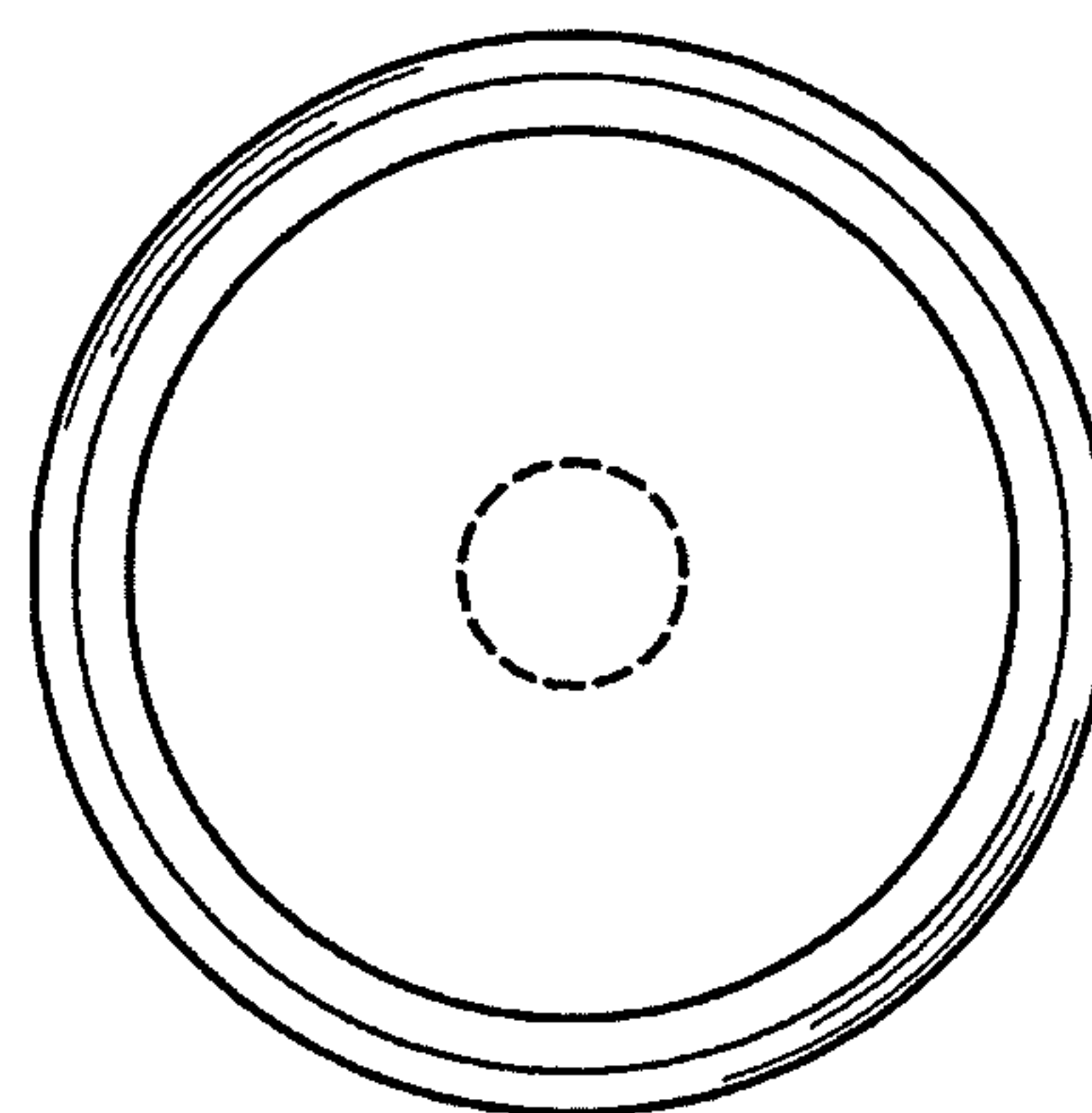


FIG. 7