



US00D685527S

(12) **United States Design Patent**
Eberlein et al.

(10) **Patent No.:** **US D685,527 S**
(45) **Date of Patent:** **** Jul. 2, 2013**

(54) **COSMETIC COMPACT WITH TWISTABLE LID**

(75) Inventors: **David Jeffrey Eberlein**, Los Angeles, CA (US); **Megan Rene Langdon**, Los Angeles, CA (US)

(73) Assignee: **HCT Asia Ltd**, Central (HK)

(**) Term: **14 Years**

(21) Appl. No.: **29/412,534**

(22) Filed: **Feb. 3, 2012**

(51) **LOC (9) Cl.** **28-03**

(52) **U.S. Cl.**
USPC **D28/82**

(58) **Field of Classification Search**
USPC D28/76-84, 64.1-64.6; 132/286-288, 132/291, 293-307, 313-318; 206/823, 581
See application file for complete search history.

(56) **References Cited**

U.S. PATENT DOCUMENTS

D319,897	S	*	9/1991	Bakic	D28/82
5,348,031	A		9/1994	Cloud		
6,070,749	A		6/2000	Joulia		
6,712,076	B2		3/2004	Alexander et al.		
D581,597	S	*	11/2008	Martinez	D28/82
D626,289	S	*	10/2010	Lee	D28/82
D645,616	S	*	9/2011	Wells	D28/82
D655,457	S	*	3/2012	In	D28/82
2007/0080094	A1		4/2007	Moon		

OTHER PUBLICATIONS

Non-Final Office Action for U.S. Appl. No. 13/366,102, mailed on Dec. 6, 2012, David Jeffrey Eberlein et al., "Cosmetic Compact With Twistable Lid," 9 pages.

* cited by examiner

Primary Examiner — Jennifer Rivard

(74) *Attorney, Agent, or Firm* — Lee & Hayes, PLLC

(57) **CLAIM**

The ornamental design for a cosmetic compact with twistable lid, as shown and described.

DESCRIPTION

FIG. 1 is a top perspective view of a cosmetic compact with twistable lid in a closed position;

FIG. 2 is a bottom perspective view of the cosmetic compact with twistable lid of FIG. 1;

FIG. 3 is a front elevation view of the cosmetic compact with twistable lid of FIG. 1, the back, left-side, and right-side elevation views being a mirror image of the front elevation view;

FIG. 4 is a top plan view of the cosmetic compact with twistable lid of FIG. 1;

FIG. 5 is a bottom plan view of the cosmetic compact with twistable lid of FIG. 1;

FIG. 6 is a top perspective view of the cosmetic compact with twistable lid of FIG. 1 in an open position;

FIG. 7 is a bottom perspective view of the cosmetic compact with twistable lid of FIG. 6;

FIG. 8 is a front elevation view of the cosmetic compact with twistable lid of FIG. 6;

FIG. 9 is a back elevation view of the cosmetic compact with twistable lid of FIG. 6;

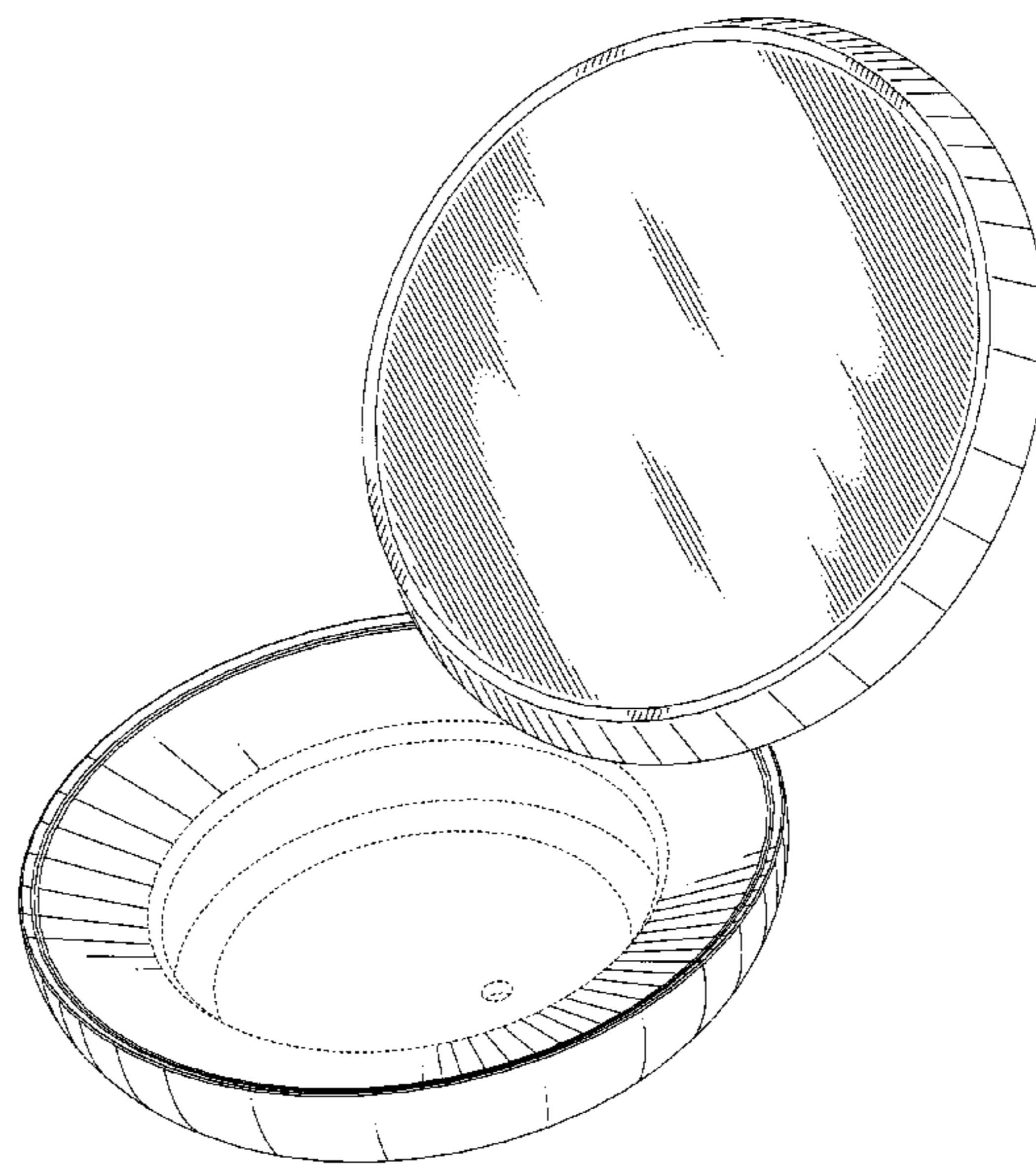
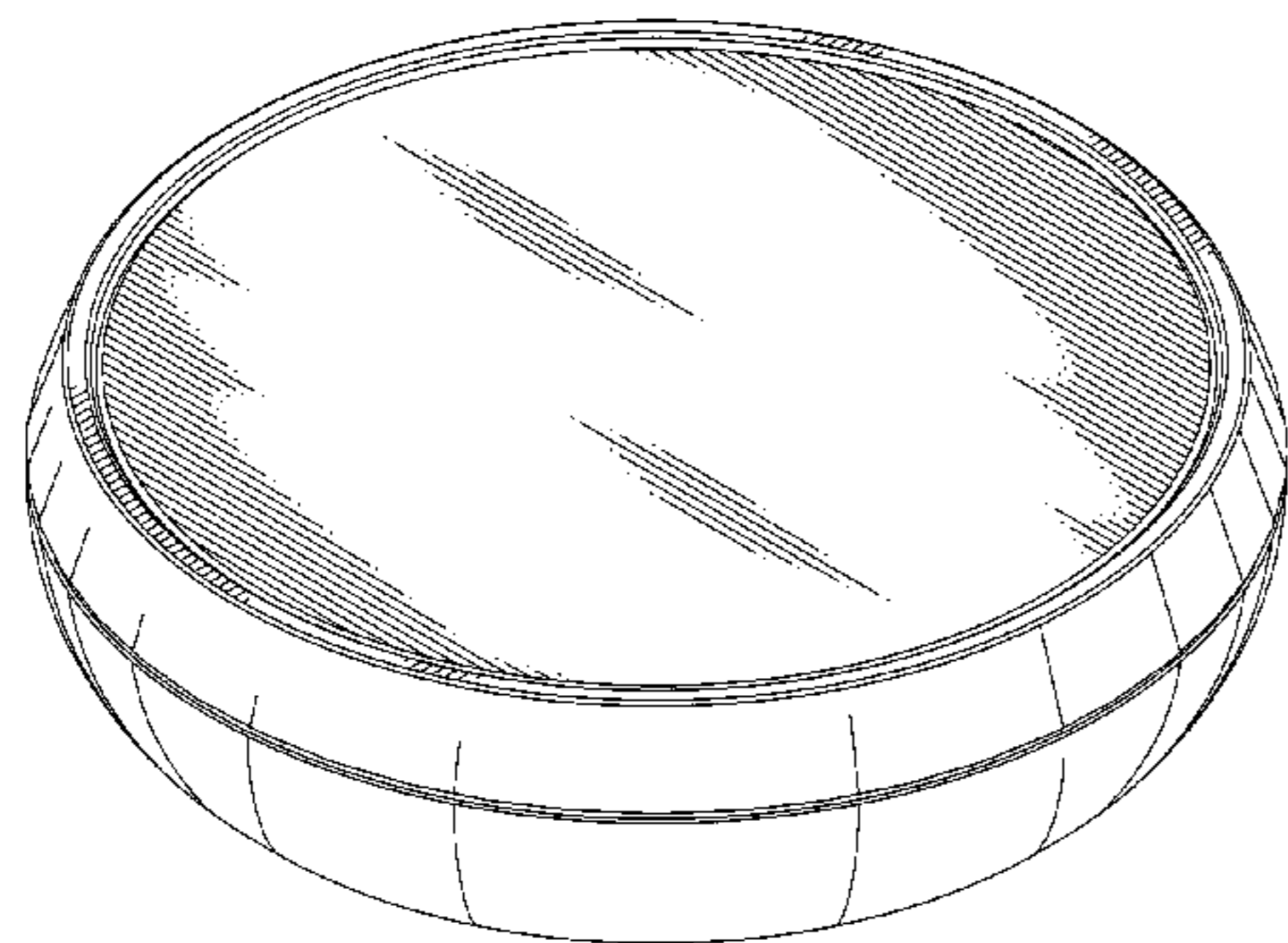
FIG. 10 is a right-side elevation view of the cosmetic compact with twistable lid of FIG. 6, the left-side elevation view being a mirror image of the right-side elevation view;

FIG. 11 is a top plan view of the cosmetic compact with twistable lid of FIG. 6; and,

FIG. 12 is a bottom plan view of the cosmetic compact with twistable lid of FIG. 6.

The broken lines shown in the drawings illustrate portions of the article and form no part of the claimed design.

1 Claim, 8 Drawing Sheets



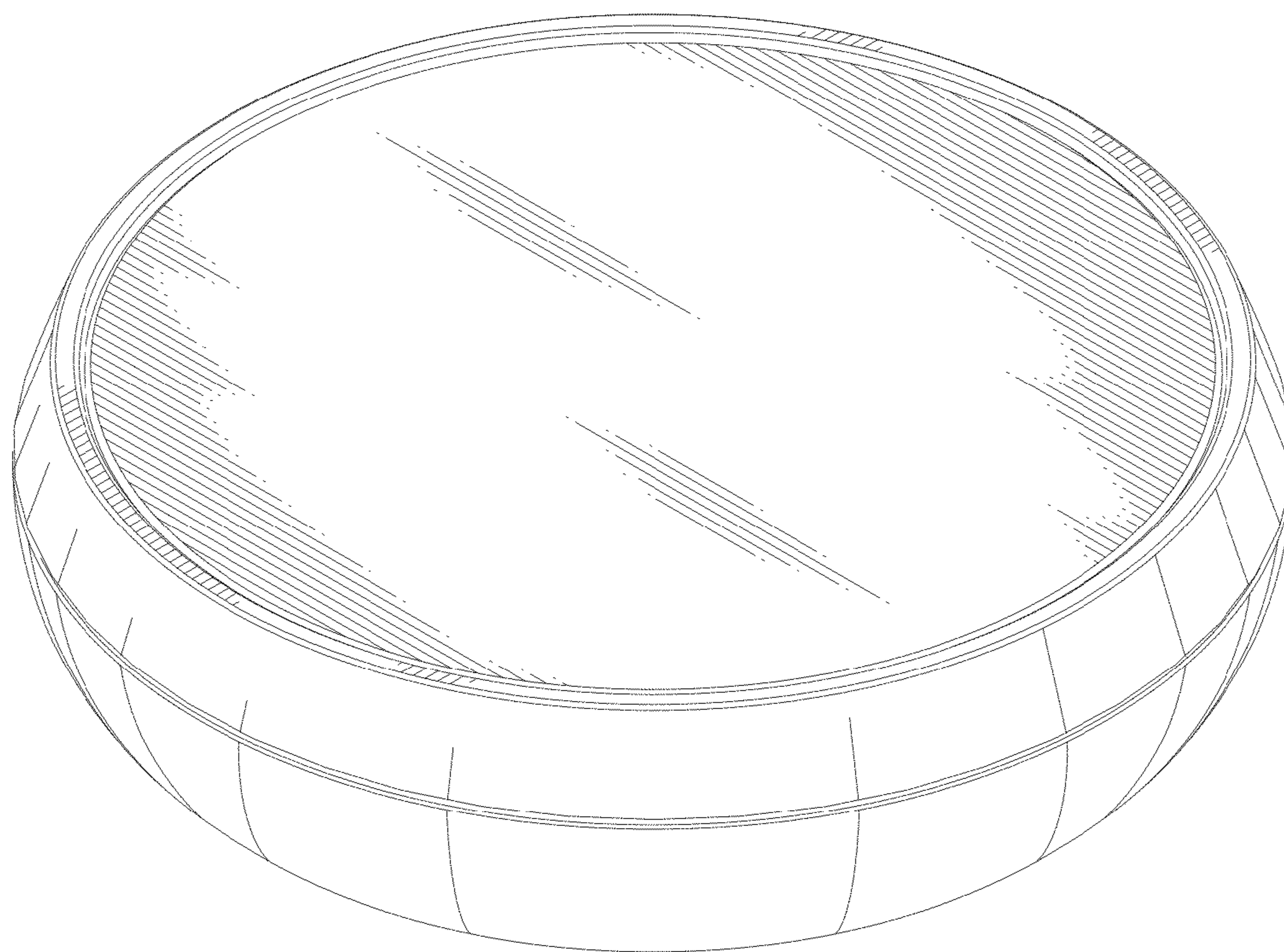


FIG. 1

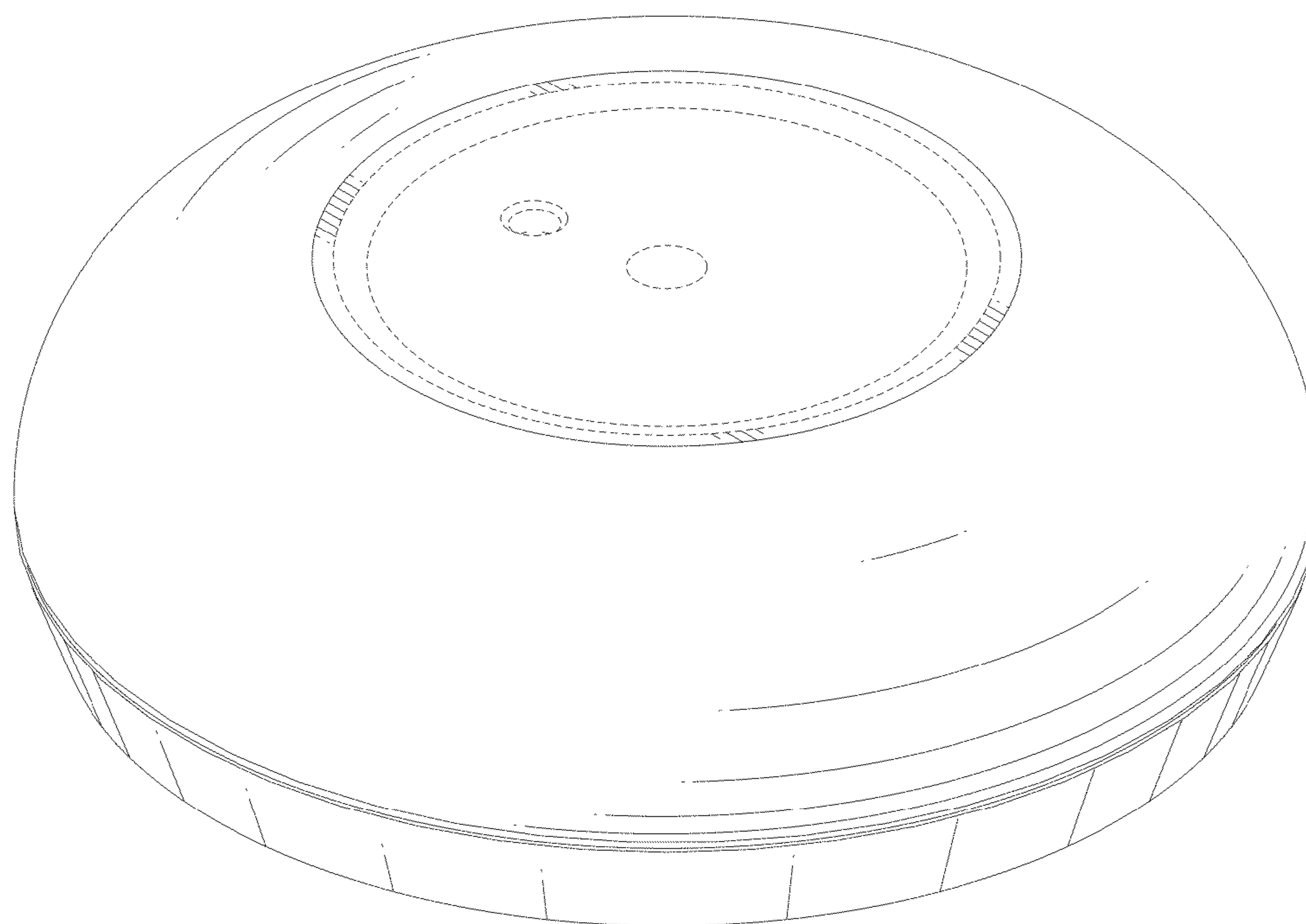


FIG. 2

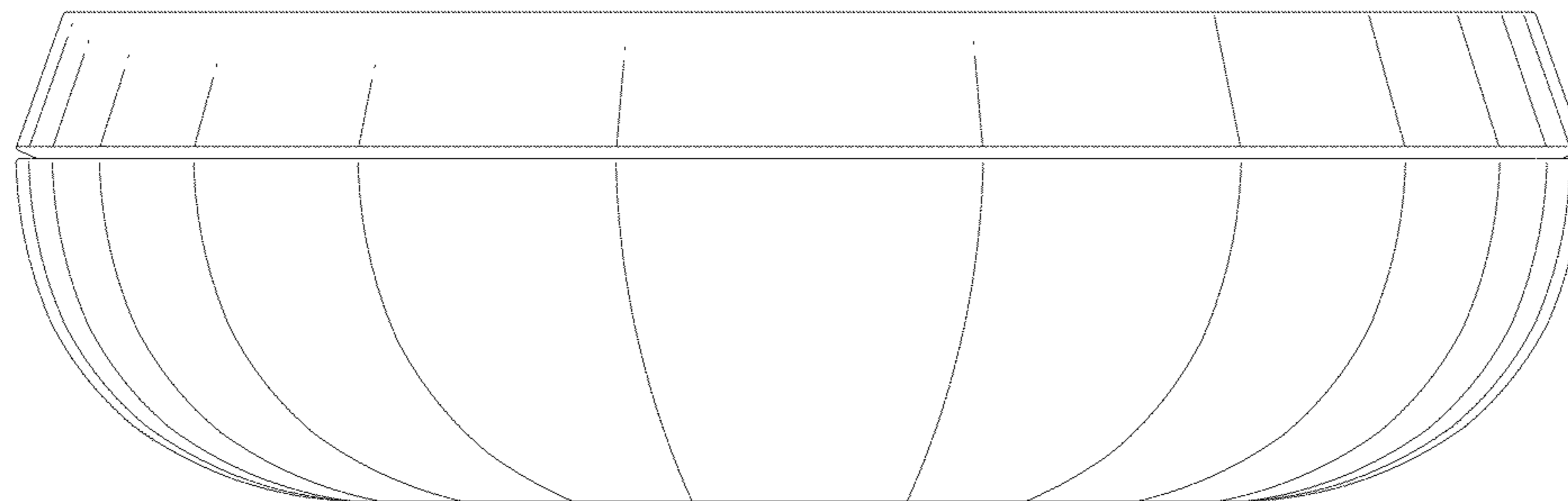


FIG. 3



FIG. 4

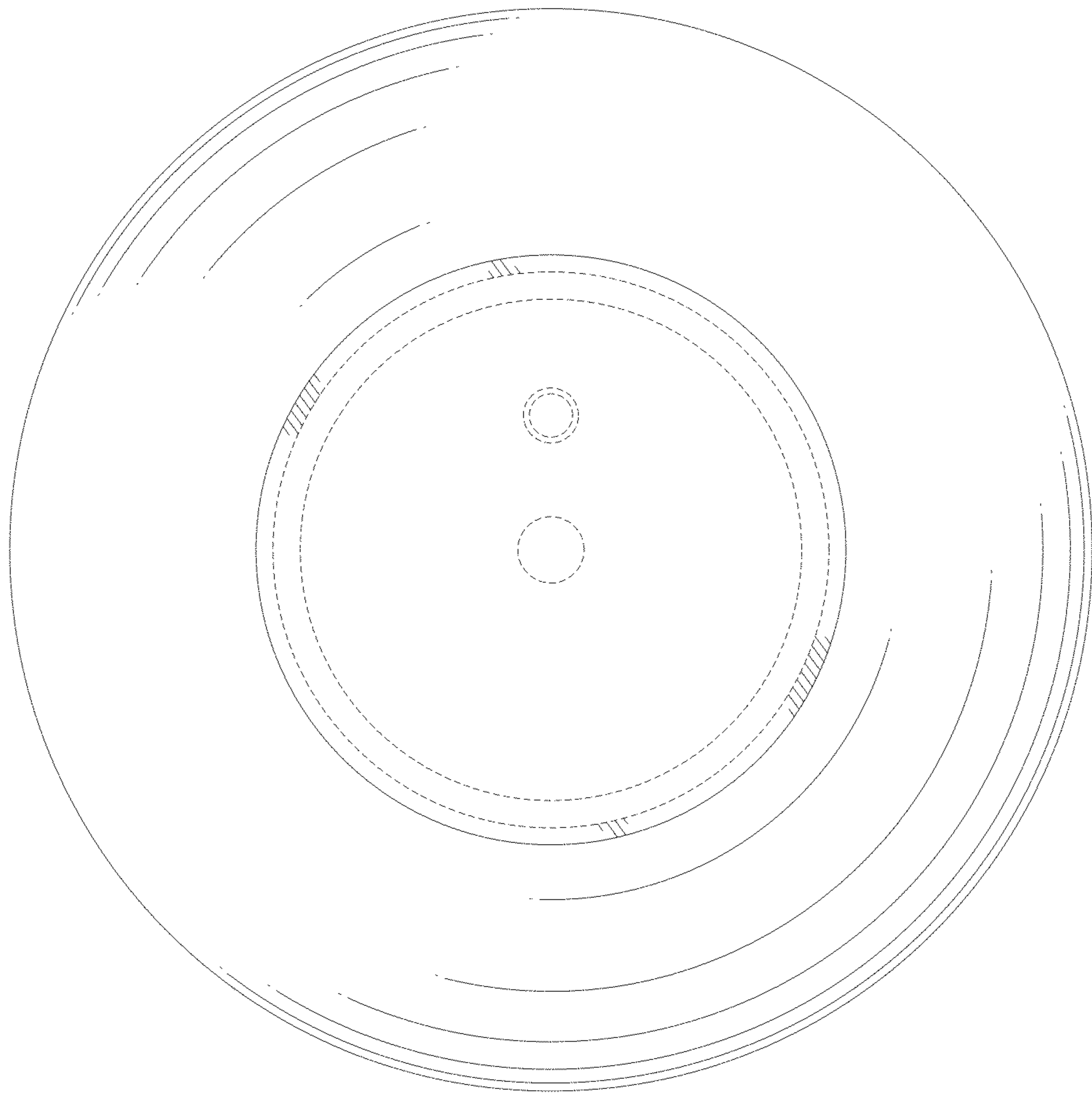


FIG. 5

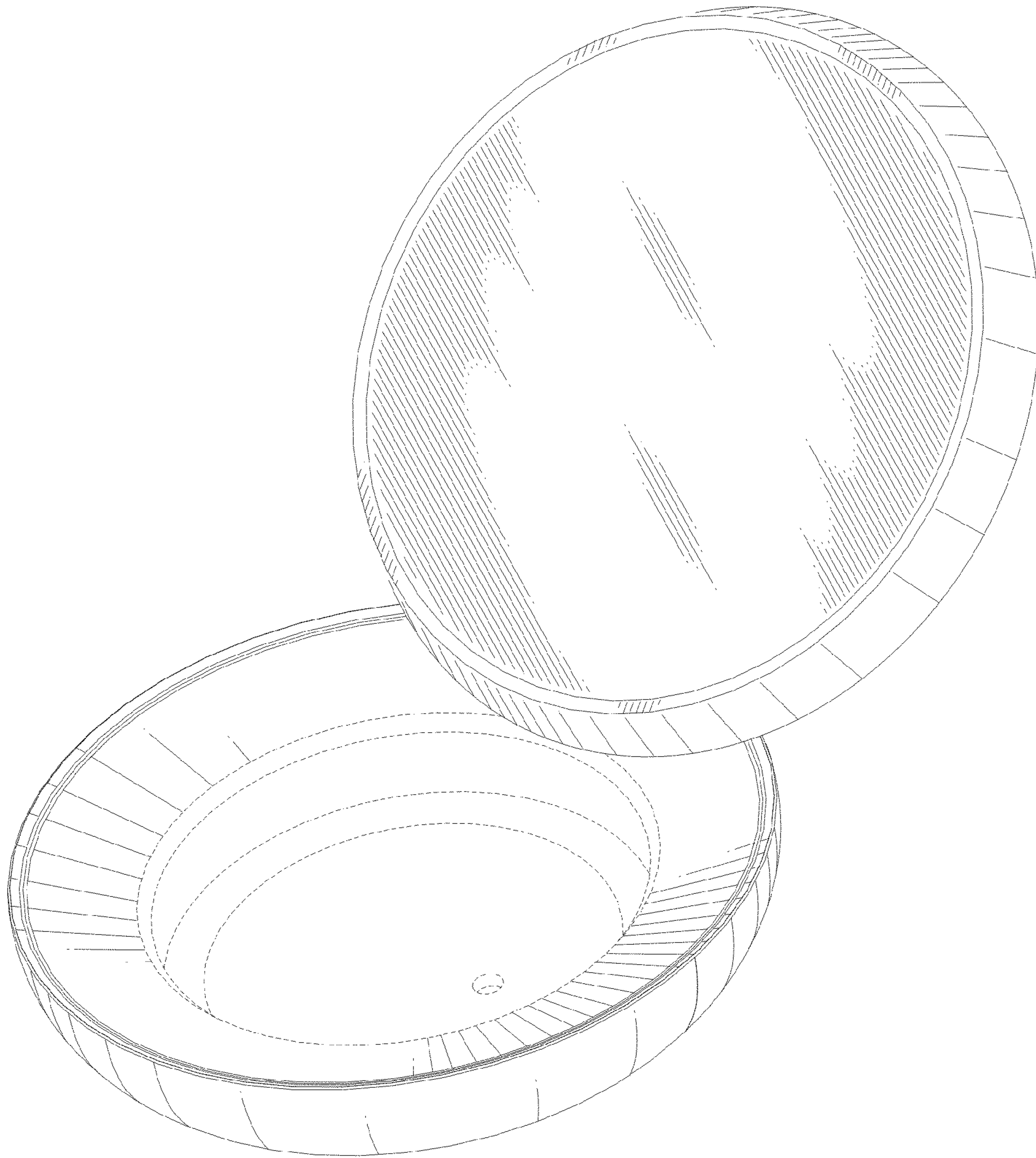


FIG. 6

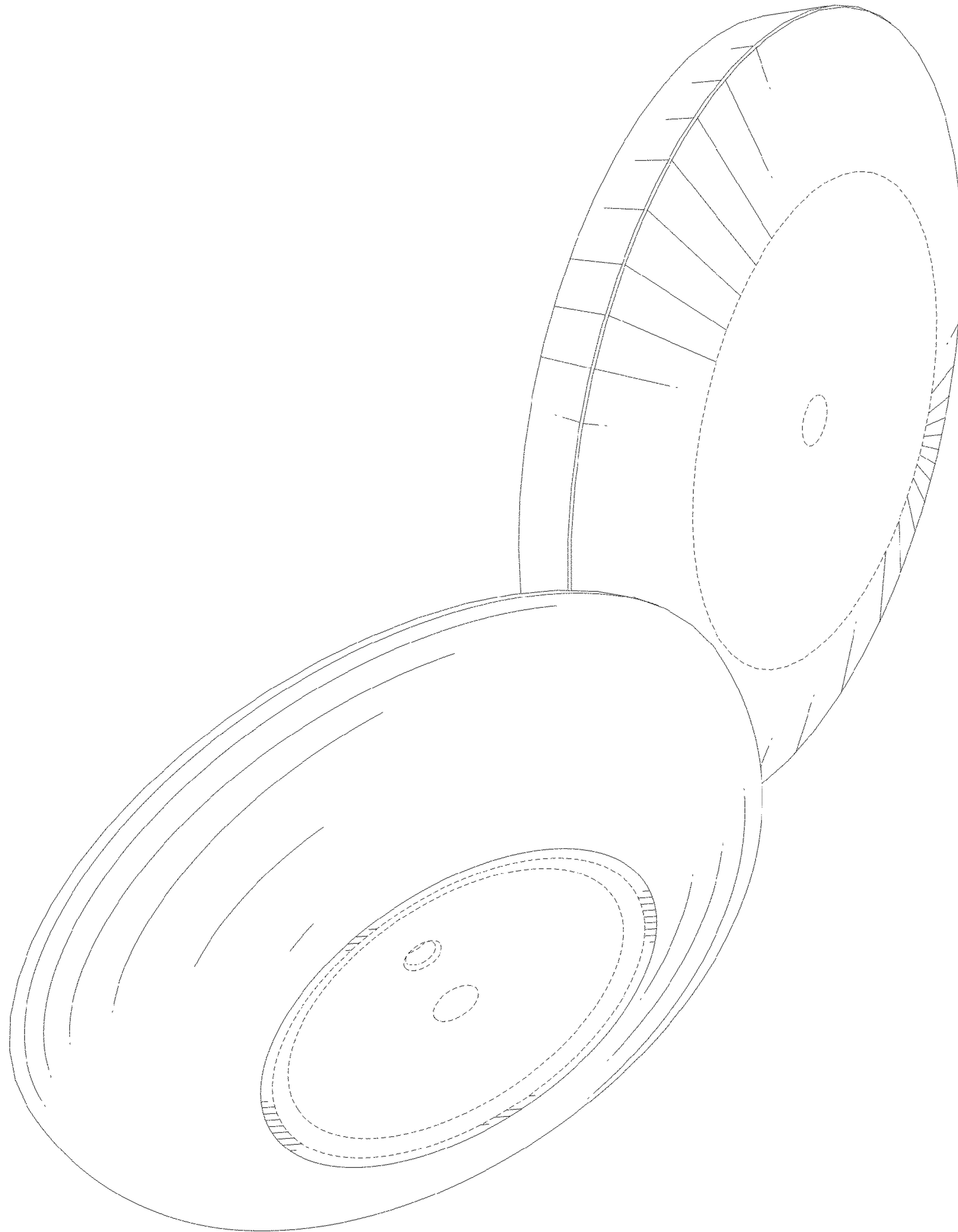


FIG. 7

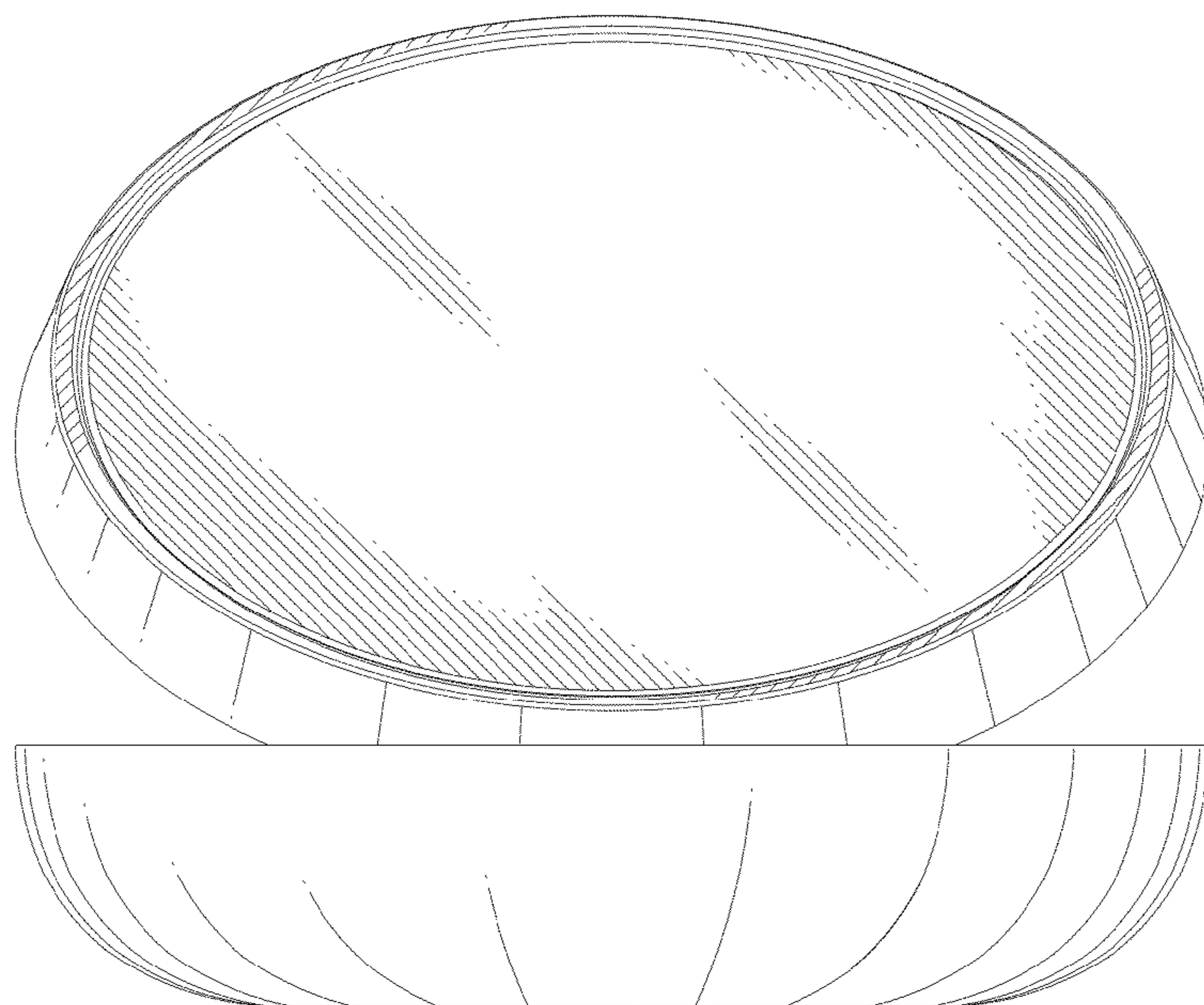


FIG. 8

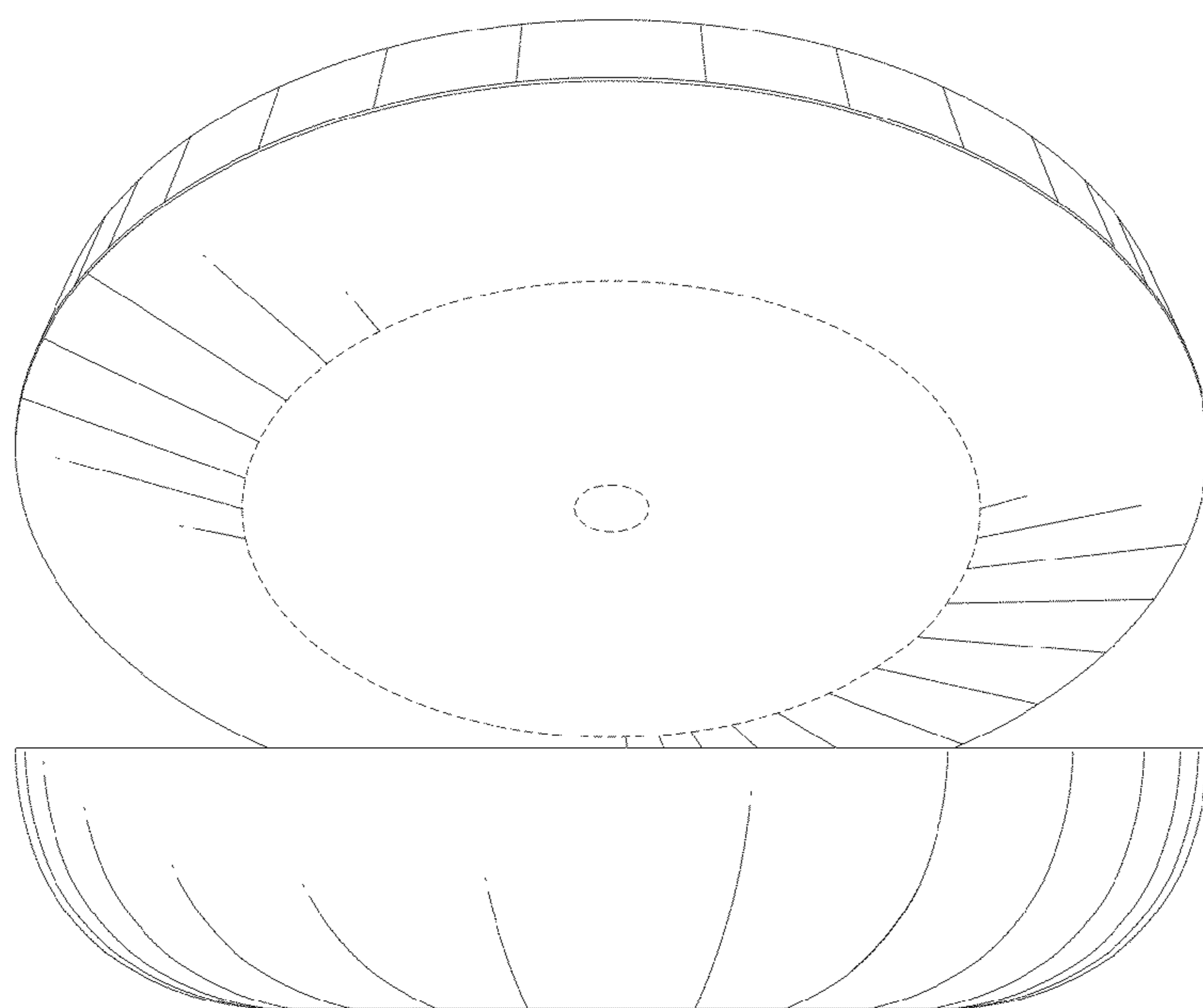


FIG. 9

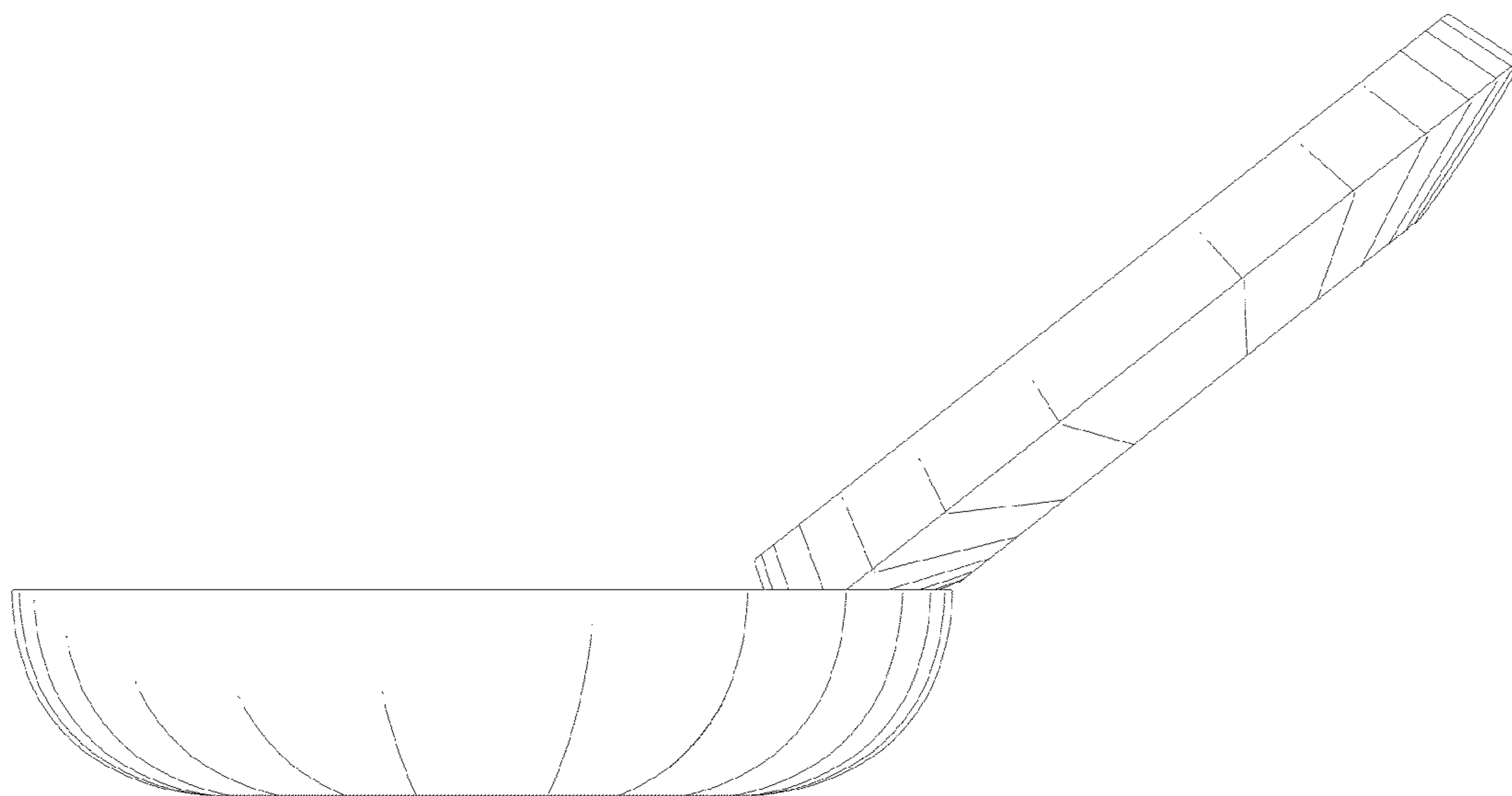


FIG. 10

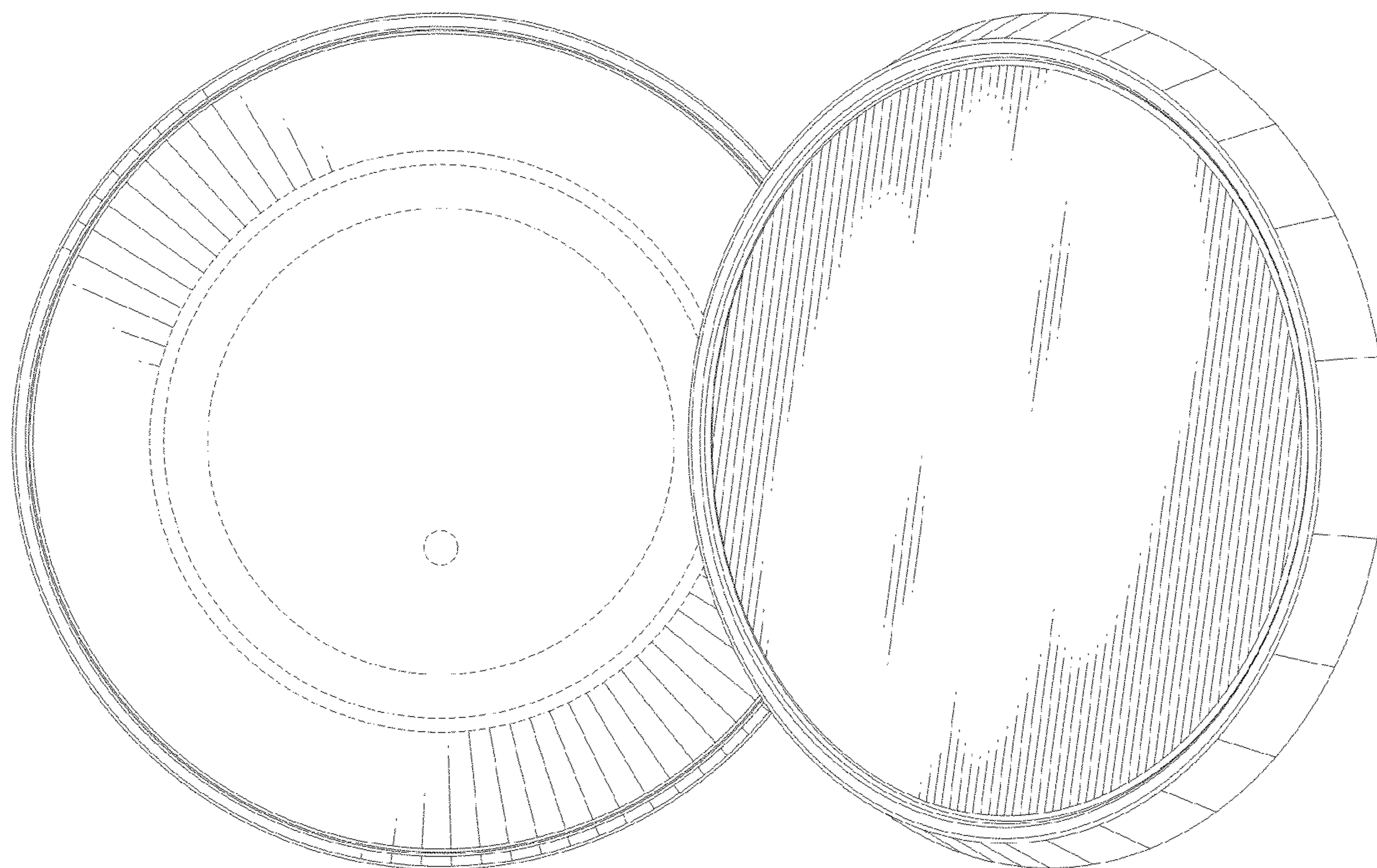


FIG. 11

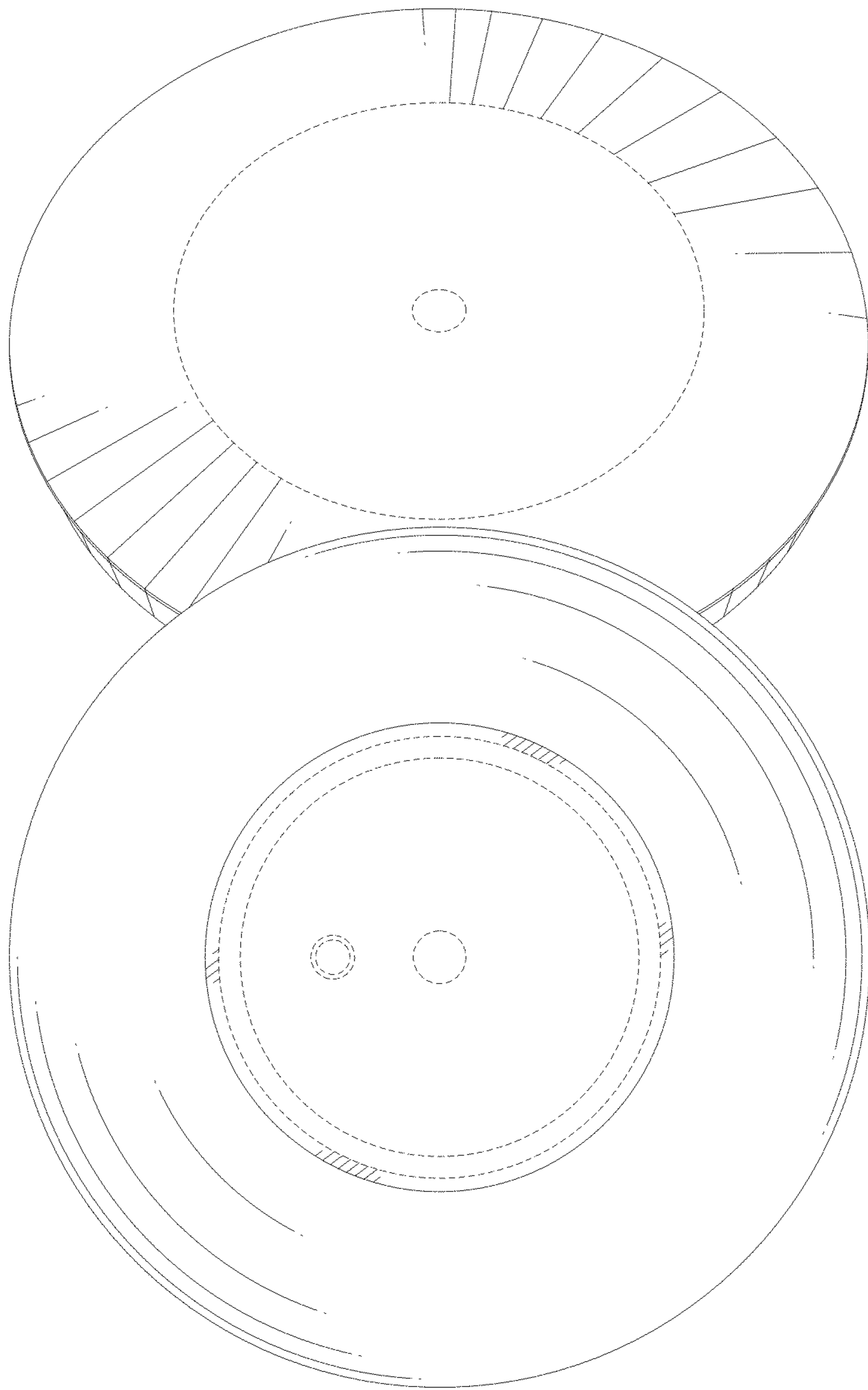


FIG. 12