



US00D685520S

(12) **United States Design Patent**
O’Driscoll et al.

(10) **Patent No.:** **US D685,520 S**

(45) **Date of Patent:** **** Jul. 2, 2013**

(54) **LIGHTING APPARATUS**

(71) Applicant: **Brightgreen Pty Ltd.**, Collingwood (AU)

(72) Inventors: **David O’Driscoll**, Victoria (AU);
Nathan Moffat, Victoria (AU)

(73) Assignee: **Brightgreen Pty Ltd.**, Collingwood (AU)

(**) Term: **14 Years**

(21) Appl. No.: **29/432,955**

(22) Filed: **Sep. 24, 2012**

(30) **Foreign Application Priority Data**

Mar. 22, 2012 (AU) 11476/2012

(51) **LOC (9) Cl.** **26-99**

(52) **U.S. Cl.**
USPC **D26/118**

(58) **Field of Classification Search**

USPC D26/118, 119, 120, 67, 68, 69, 62,
D26/63, 85, 86, 121, 122, 65, 124, 125, 139,
D26/138, 140, 155, 154, 72, 76, 75, 64, 66,
D26/71, 78, 79, 84, 137, 136, 126, 127, 128,
D26/129, 135, 132, 134, 142, 144, 145, 147,
D26/152, 1, 2, 3, 87, 88, 24, 25, 26, 28, 89,
D26/90, 91, 92; 362/225, 326, 147,
249.01–249.12, 346, 223, 224, 306, 149,
362/362, 217.05, 342, 217.03, 297, 294,
362/235, 329, 476, 555, 218; D13/179, 180

See application file for complete search history.

(56) **References Cited**

U.S. PATENT DOCUMENTS

D155,063	S	*	9/1949	Baker	D26/86
D155,680	S	*	10/1949	Baker	D26/86
D165,259	S	*	11/1951	Baker	D26/74
D258,919	S	*	4/1981	Kristofek	D26/142
D323,037	S	*	1/1992	Edwards	D26/118
D365,159	S	*	12/1995	Tinen	D25/138
D469,212	S	*	1/2003	Chiu	D26/118
D562,494	S	*	2/2008	Piepgas	D26/123
D568,522	S	*	5/2008	Engel	D26/74
D569,024	S	*	5/2008	Redfern	D26/74
D577,454	S	*	9/2008	Maxik et al.	D26/63
D601,741	S	*	10/2009	Trott et al.	D26/74

(Continued)

FOREIGN PATENT DOCUMENTS

AU 336372 5/2011

Primary Examiner — Kevin Rudzinski

(74) *Attorney, Agent, or Firm* — Hamre, Schumann, Mueller & Larson, P.C.

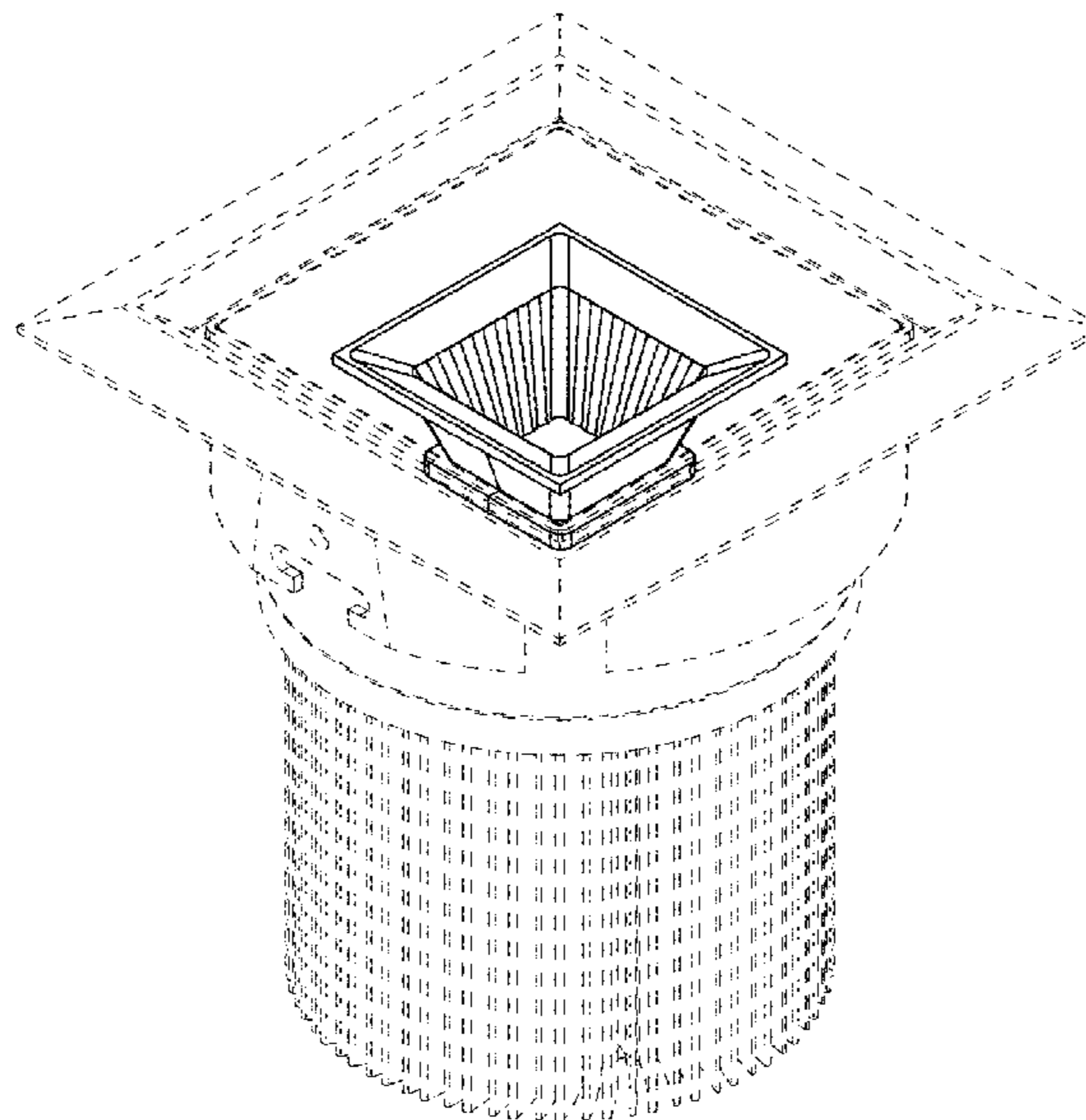
(57) **CLAIM**

The ornamental design for a lighting apparatus, as shown and described.

DESCRIPTION

FIG. 1 is a top perspective view of a lighting apparatus.
FIG. 2 is another top perspective view of the lighting apparatus.
FIG. 3 is a bottom perspective view of the lighting apparatus.
FIG. 4 is top plan view thereof.
FIG. 5 is a bottom plan view thereof.
FIG. 6 is a front side elevational view thereof. The rear side elevational view is identical; and,
FIG. 7 is a right side elevational view thereof. The left side elevational view is identical.
The broken lines illustrating portions of the lighting apparatus form no part of the claimed design.

1 Claim, 3 Drawing Sheets



US D685,520 S

Page 2

U.S. PATENT DOCUMENTS

* cited by examiner

D614,801	S	*	4/2010	Collins et al.	D26/118
D628,335	S	*	11/2010	Hyland	D26/74
D630,367	S	*	1/2011	Sabernig	D26/87
8,382,340	B2	*	2/2013	Boyer et al.	362/368
2008/0278950	A1	*	11/2008	Pickard et al.	362/294

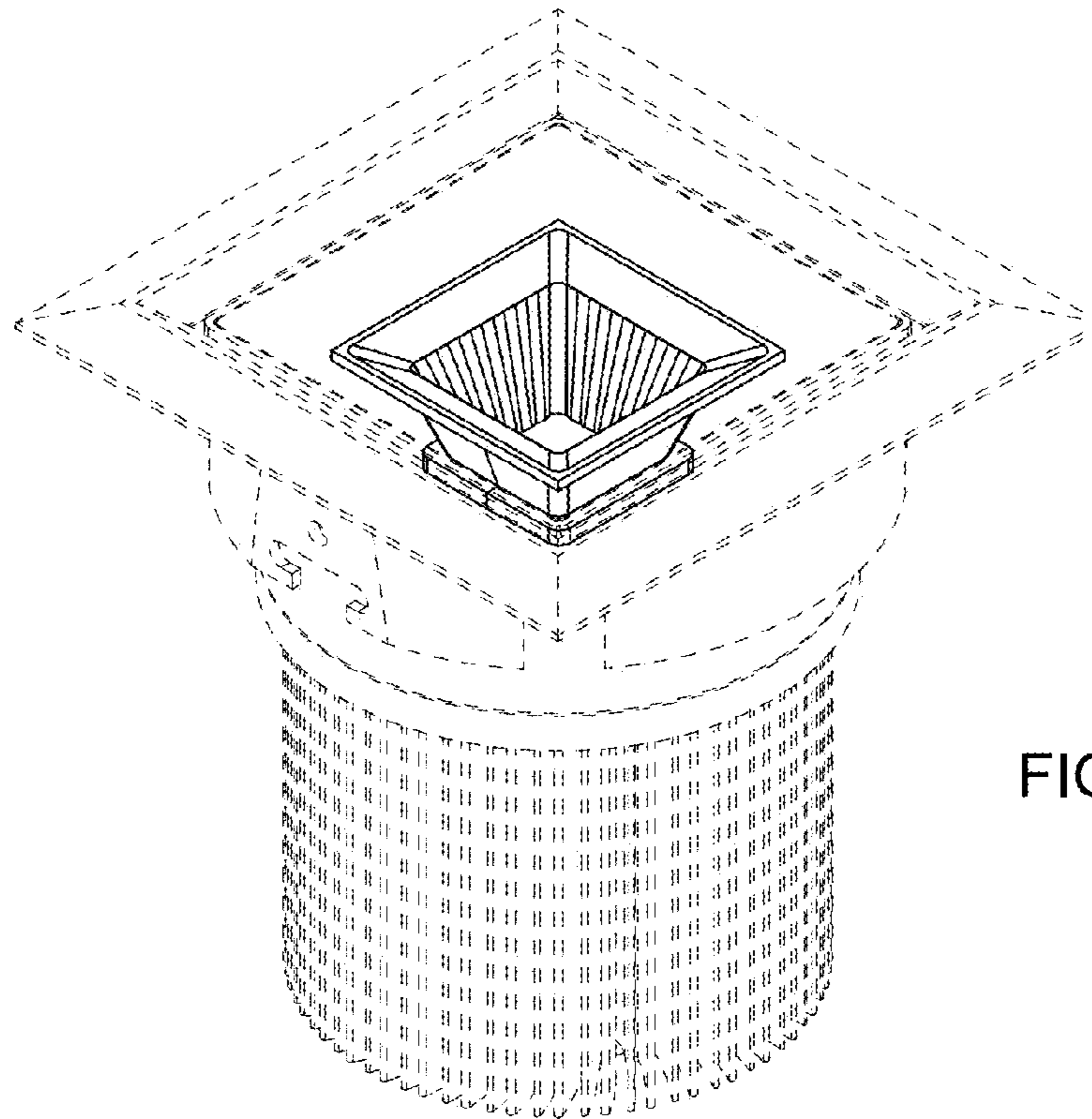


FIG. 1

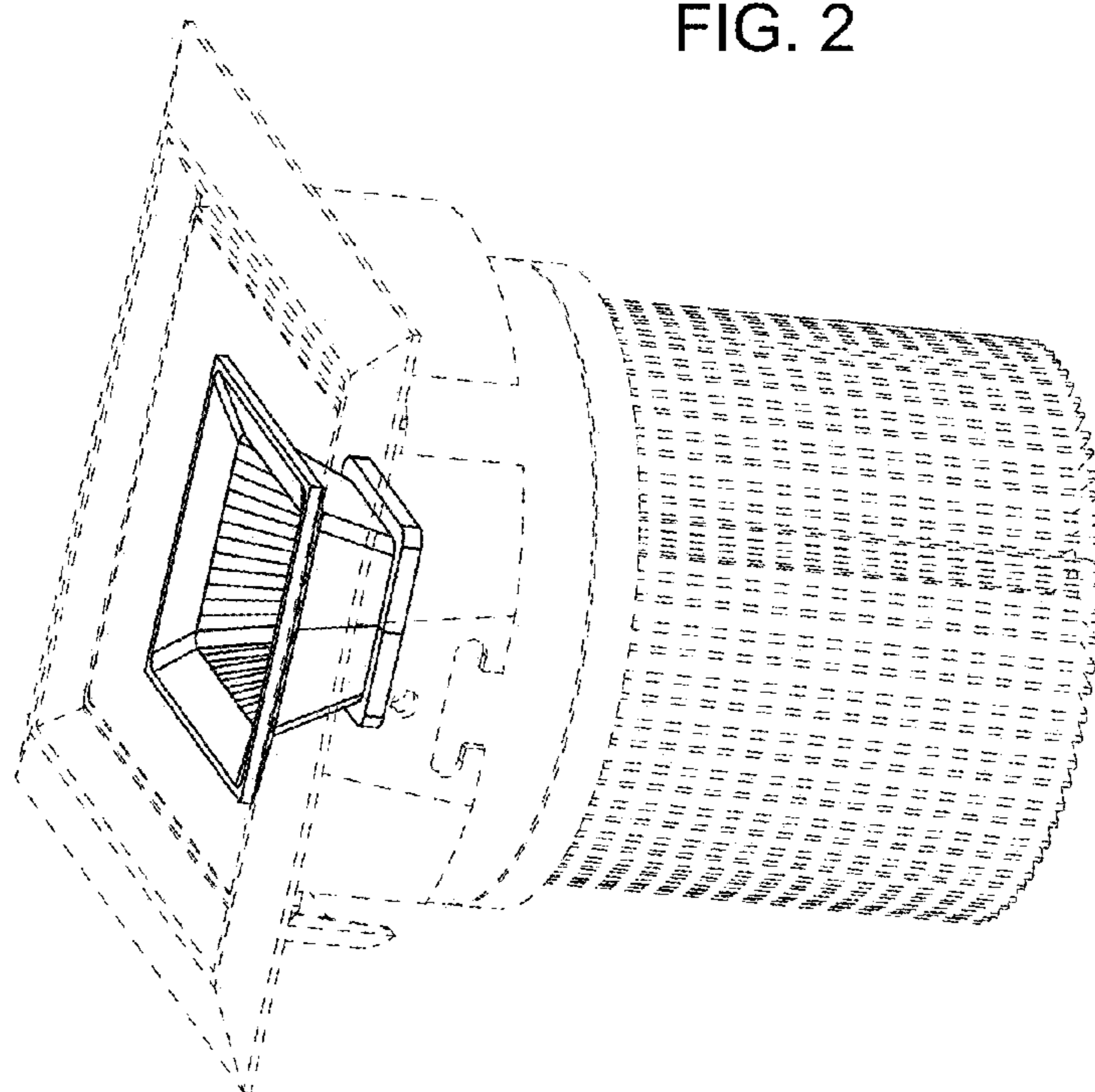


FIG. 2

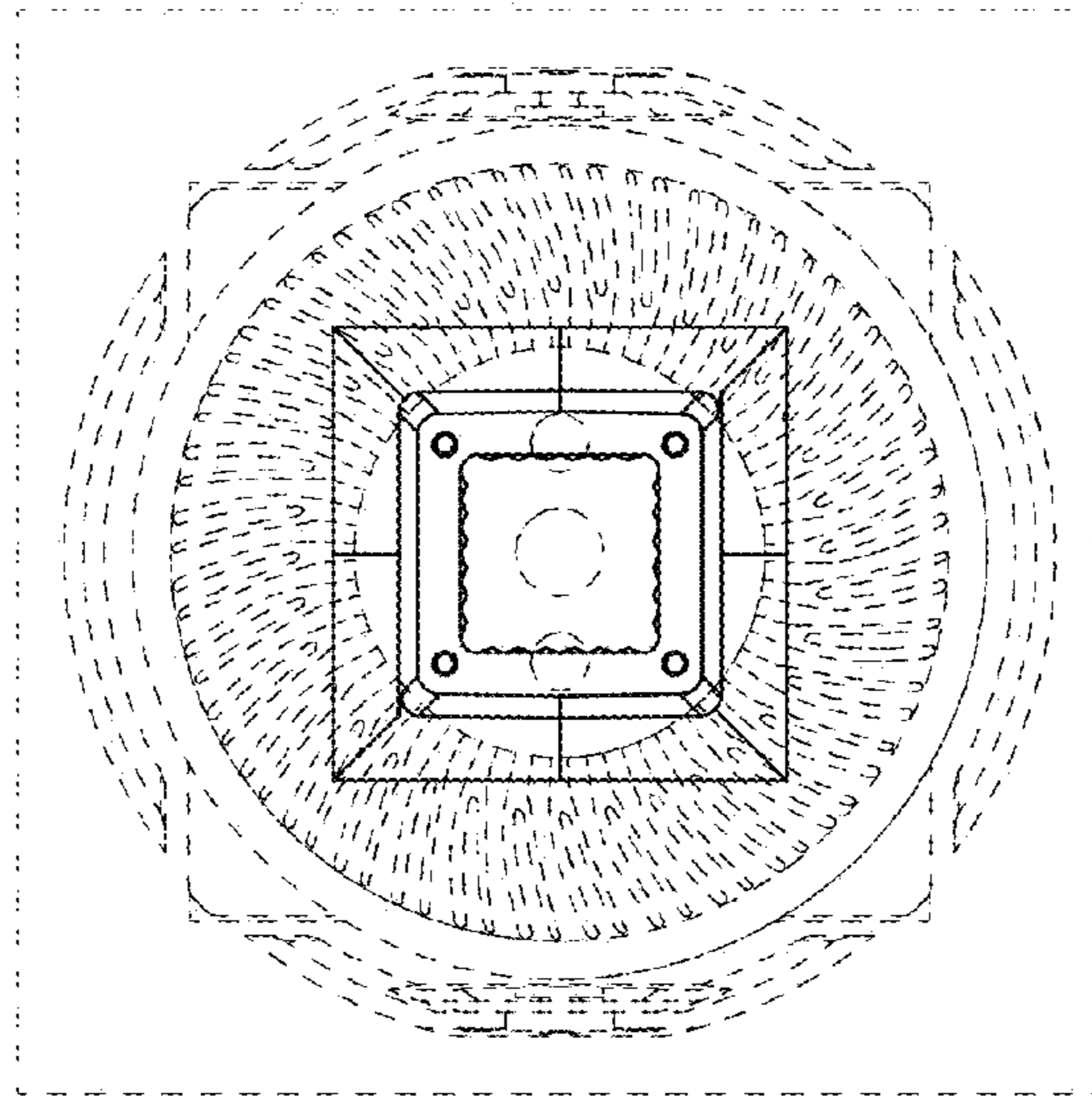


FIG. 5

FIG. 3

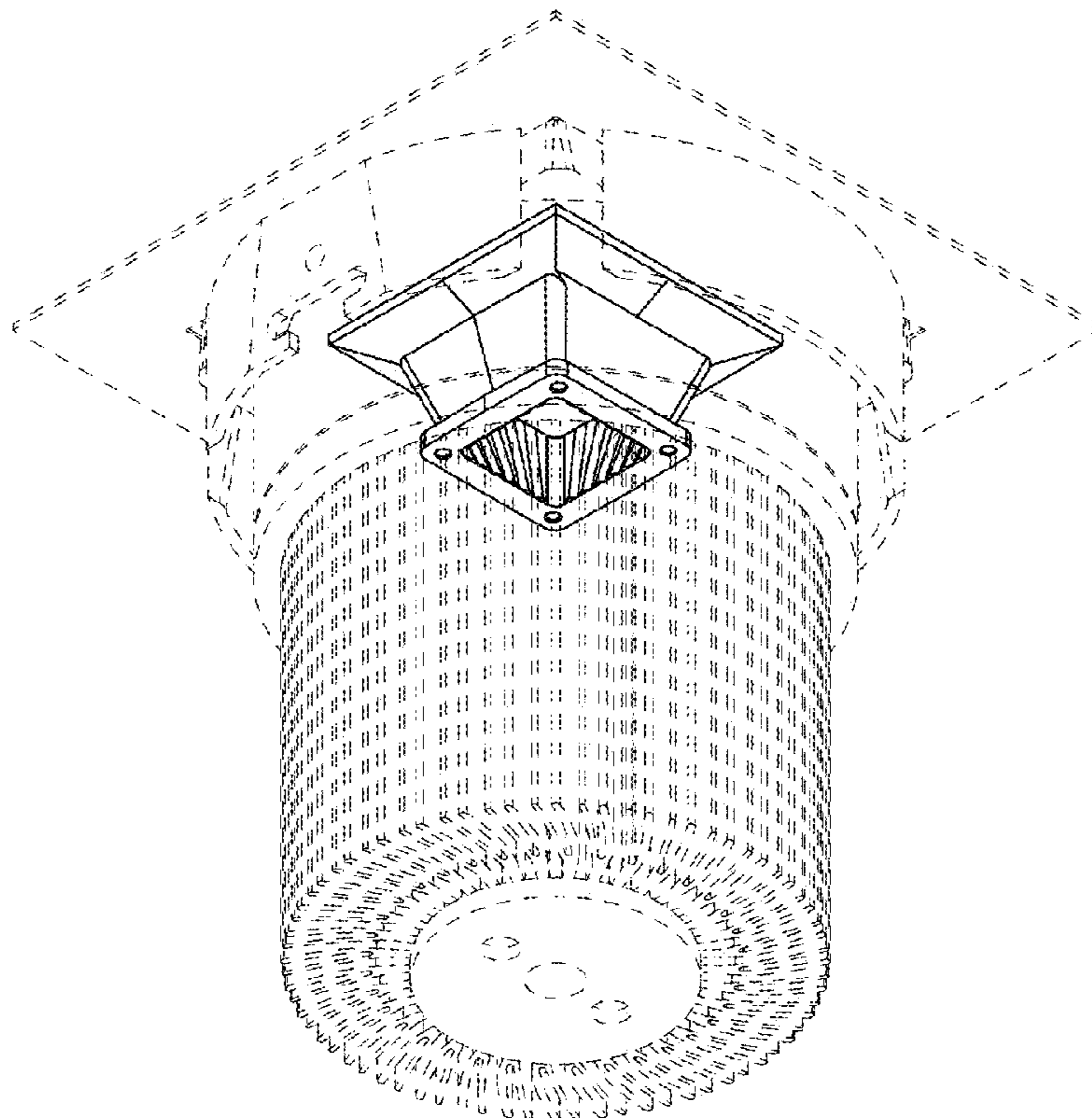


FIG. 4

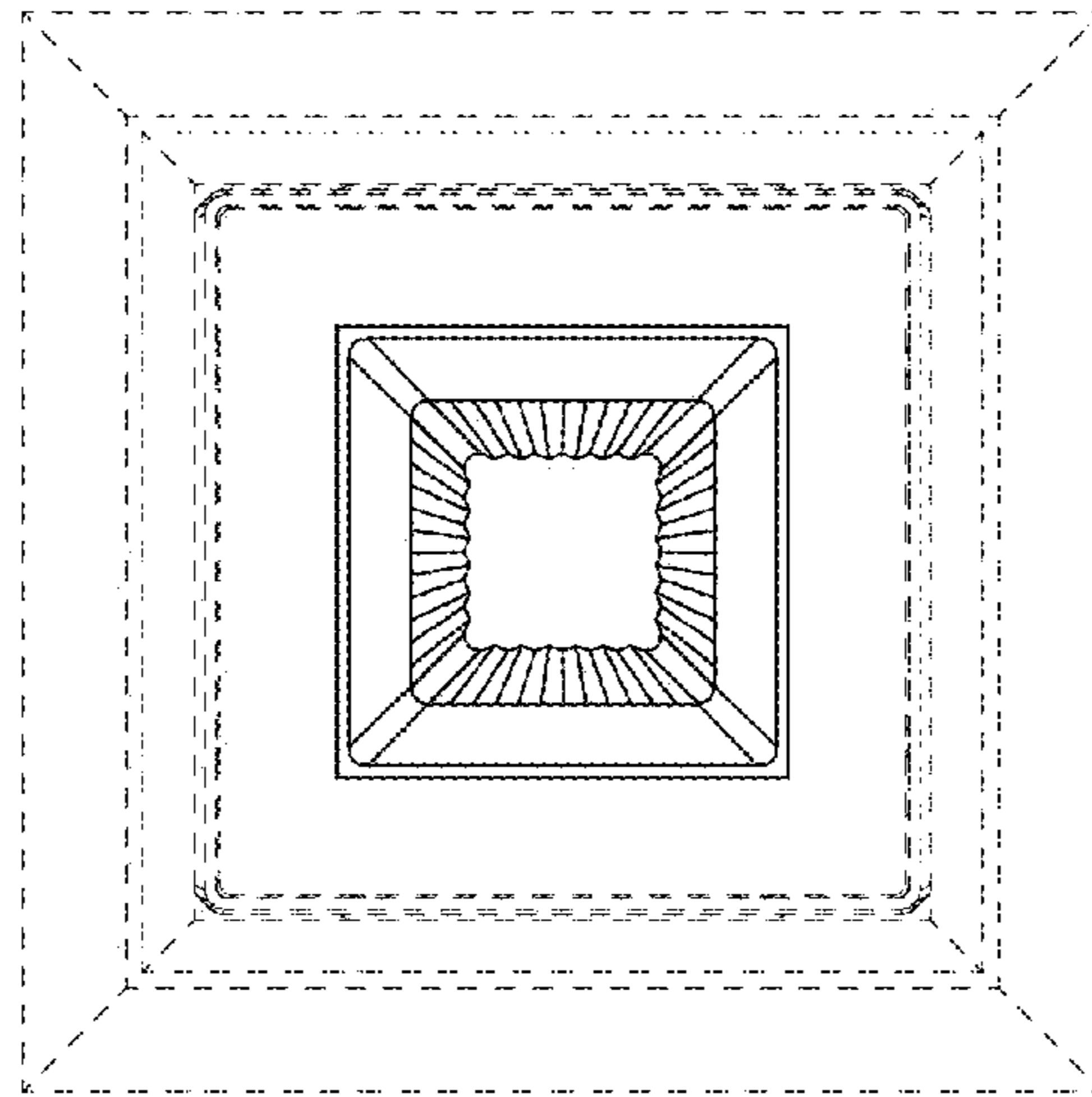


FIG. 6

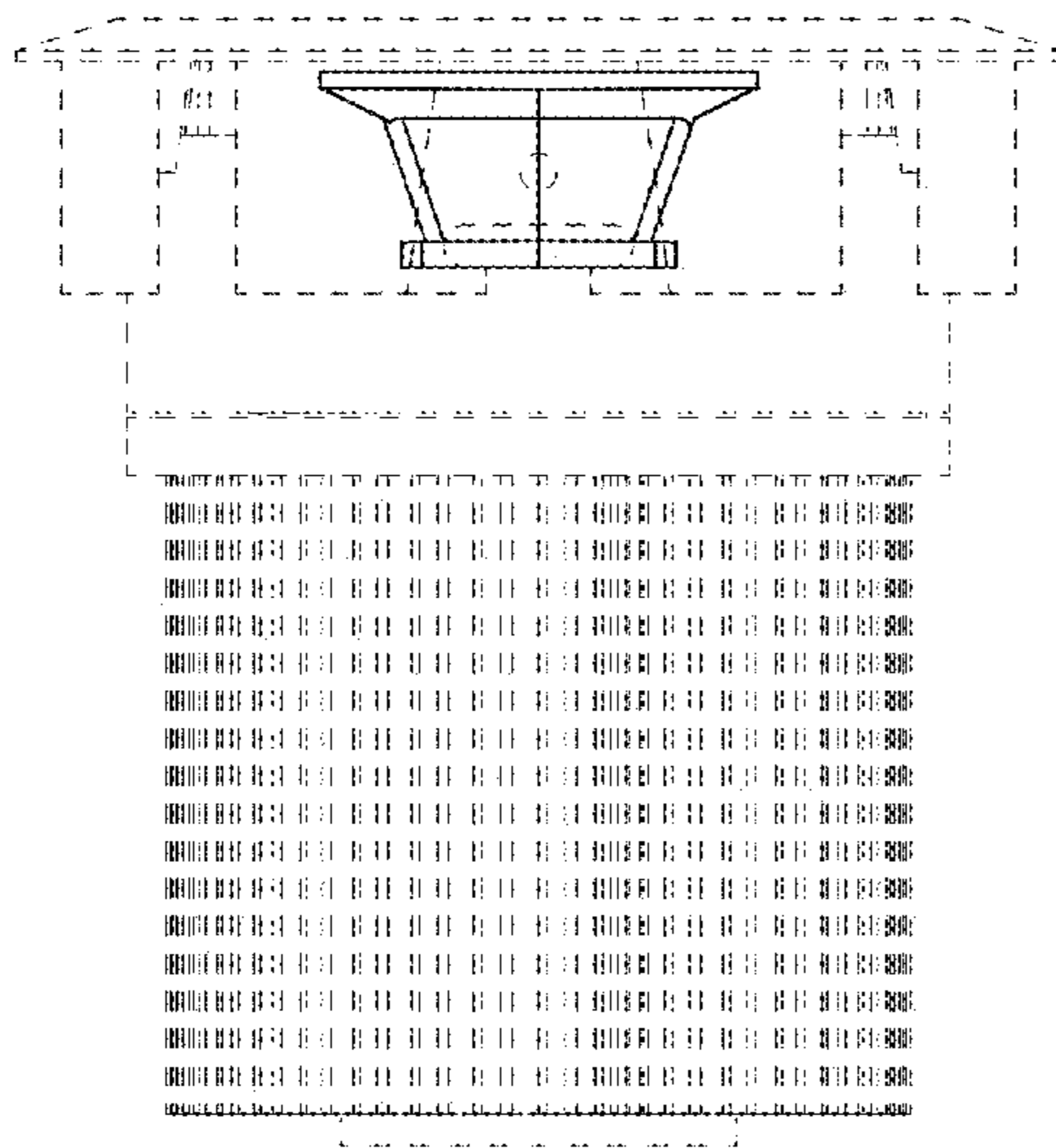


FIG. 7

