



US00D685519S

(12) **United States Design Patent**
Teranishi et al.

(10) **Patent No.:** **US D685,519 S**

(45) **Date of Patent:** **** Jul. 2, 2013**

(54) **LED LAMP**

(75) Inventors: **Yasuo Teranishi**, Shizuoka (JP);
Tetsuaki Inaba, Shizuoka (JP)

(73) Assignee: **Koito Manufacturing Co., Ltd.**, Tokyo
(JP)

(**) Term: **14 Years**

(21) Appl. No.: **29/410,674**

(22) Filed: **Jan. 11, 2012**

(30) **Foreign Application Priority Data**

Jul. 12, 2011 (JP) 2011-015988

(51) **LOC (9) Cl.** **26-99**

(52) **U.S. Cl.**
USPC **D26/118**

(58) **Field of Classification Search**
USPC D26/63, 66, 72, 118, 124; 362/294,
362/648, 432
See application file for complete search history.

(56) **References Cited**

U.S. PATENT DOCUMENTS

D109,119	S	*	4/1938	Arenberg	D26/63
D111,577	S	*	10/1938	Arenberg	D26/63
D124,540	S	*	1/1941	Nebenzahl et al.	D26/63
D125,310	S	*	2/1941	Kaplan	D26/63
D151,309	S	*	10/1948	Witte	D26/63
D372,550	S	*	8/1996	Stultz	D26/63
D479,623	S	*	9/2003	Fu	D26/118
D563,579	S	*	3/2008	Grimberg	D26/61
D585,588	S	*	1/2009	Alexander et al.	D26/118
D585,589	S	*	1/2009	Alexander et al.	D26/118
D604,882	S	*	11/2009	Mier-Langner et al.	D26/63
D605,789	S	*	12/2009	Ko	D26/28
7,744,259	B2	*	6/2010	Walczak et al.	362/294

D619,288	S	*	7/2010	Mier-Langner et al.	D26/63
D625,452	S	*	10/2010	Yamada	D26/63
D625,869	S	*	10/2010	Rashidi	D26/63
D640,405	S	*	6/2011	Yamada	D26/63
7,985,005	B2	*	7/2011	Alexander et al.	362/294
D642,719	S	*	8/2011	Lindholm et al.	D26/63
D642,720	S	*	8/2011	You	D26/63
D648,056	S	*	11/2011	Muehlhaeusler et al.	D26/63
8,235,555	B2	*	8/2012	Thomas et al.	362/294
8,240,885	B2	*	8/2012	Miller	362/294
D671,252	S	*	11/2012	You	D26/63
2010/0128483	A1	*	5/2010	Reo et al.	362/294

* cited by examiner

Primary Examiner — Clare E Heflin

(74) *Attorney, Agent, or Firm* — Sughrue Mion, PLLC

(57) **CLAIM**

The ornamental design for a LED lamp, as shown and described.

DESCRIPTION

FIG. 1 is a perspective view of front, top plan and right side of a LED lamp according to our new design;
FIG. 2 is a perspective view of rear, top plan and left side thereof;

FIG. 3 is a front view thereof;

FIG. 4 is a rear view thereof;

FIG. 5 is a left side view thereof;

FIG. 6 is a right side view thereof;

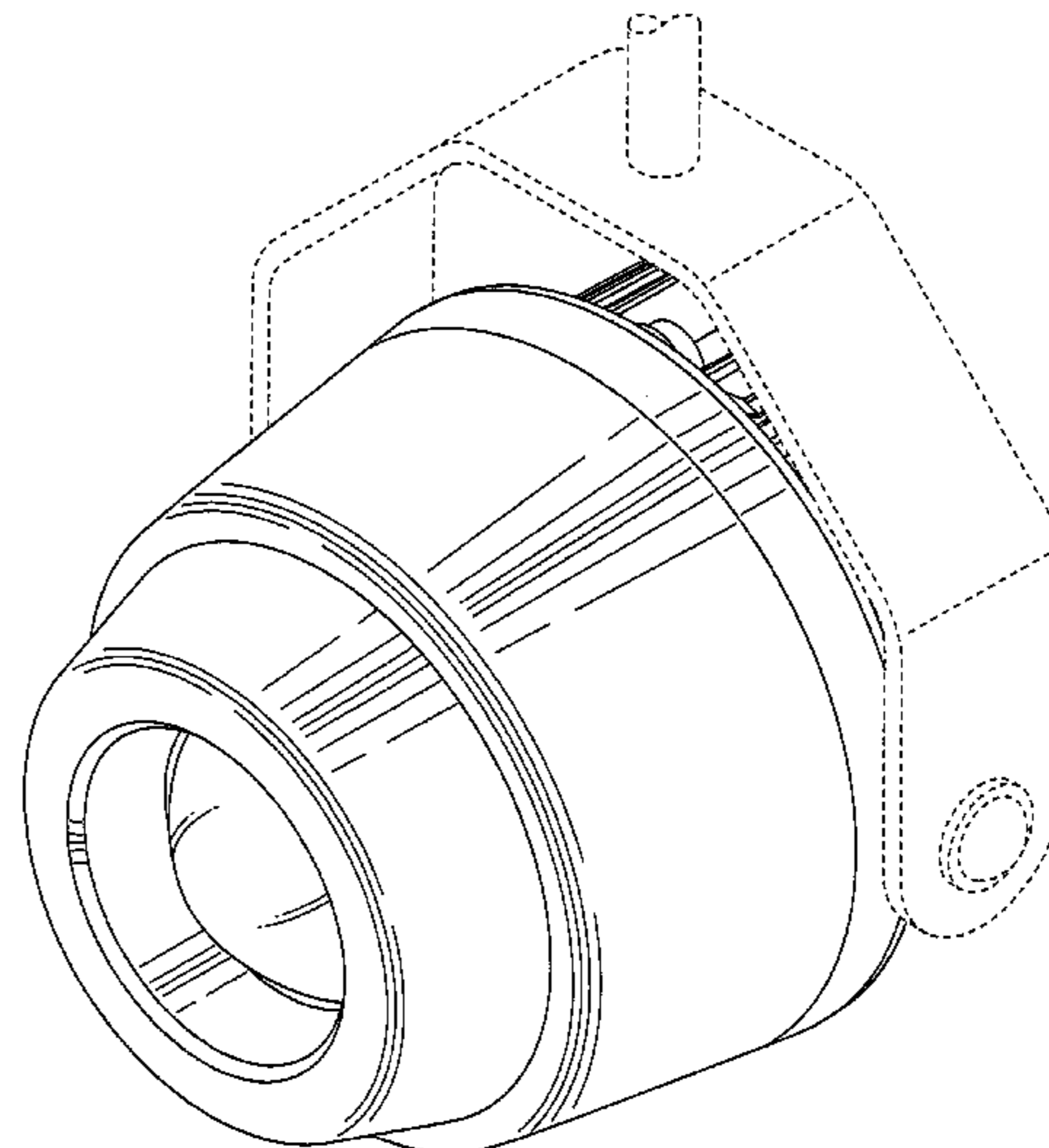
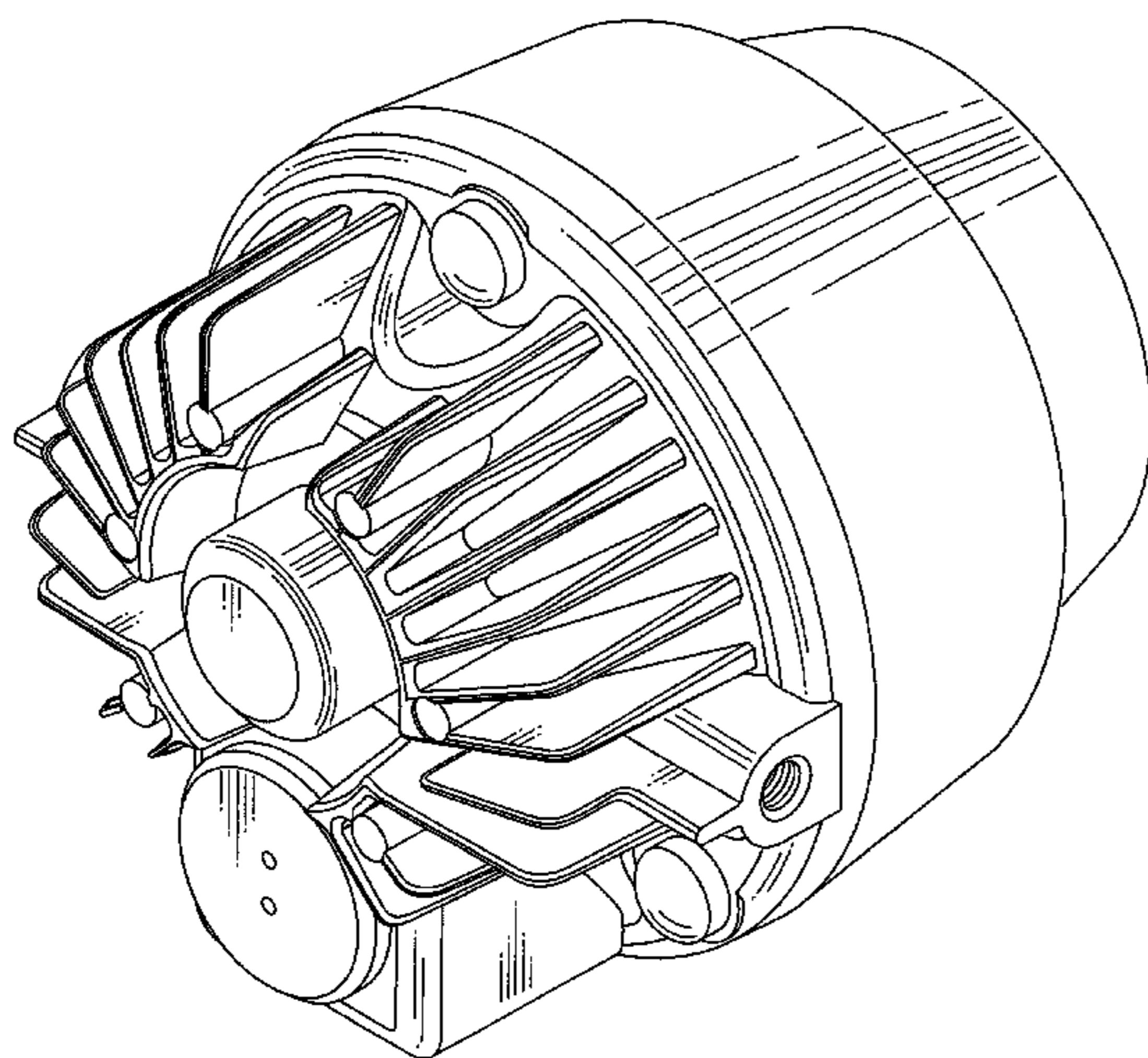
FIG. 7 is a top plan view thereof;

FIG. 8 is a bottom view thereof; and,

FIG. 9 is a perspective view of front, top plan and right side of the LED lamp to which a bracket is attached.

The portions of the article in broken lines are shown for illustrative purposes only and form no part of the claimed design.

1 Claim, 9 Drawing Sheets



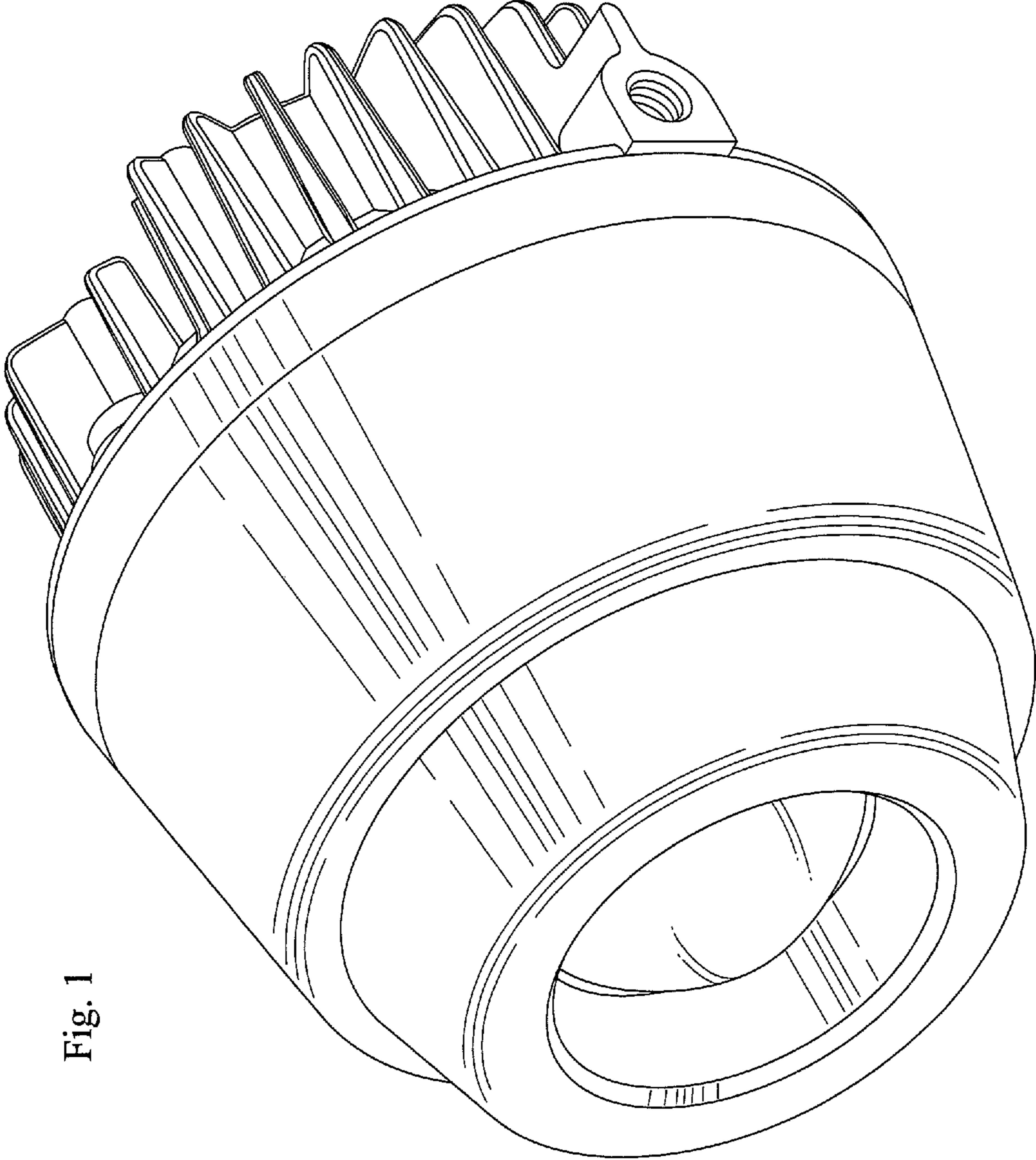


Fig. 1

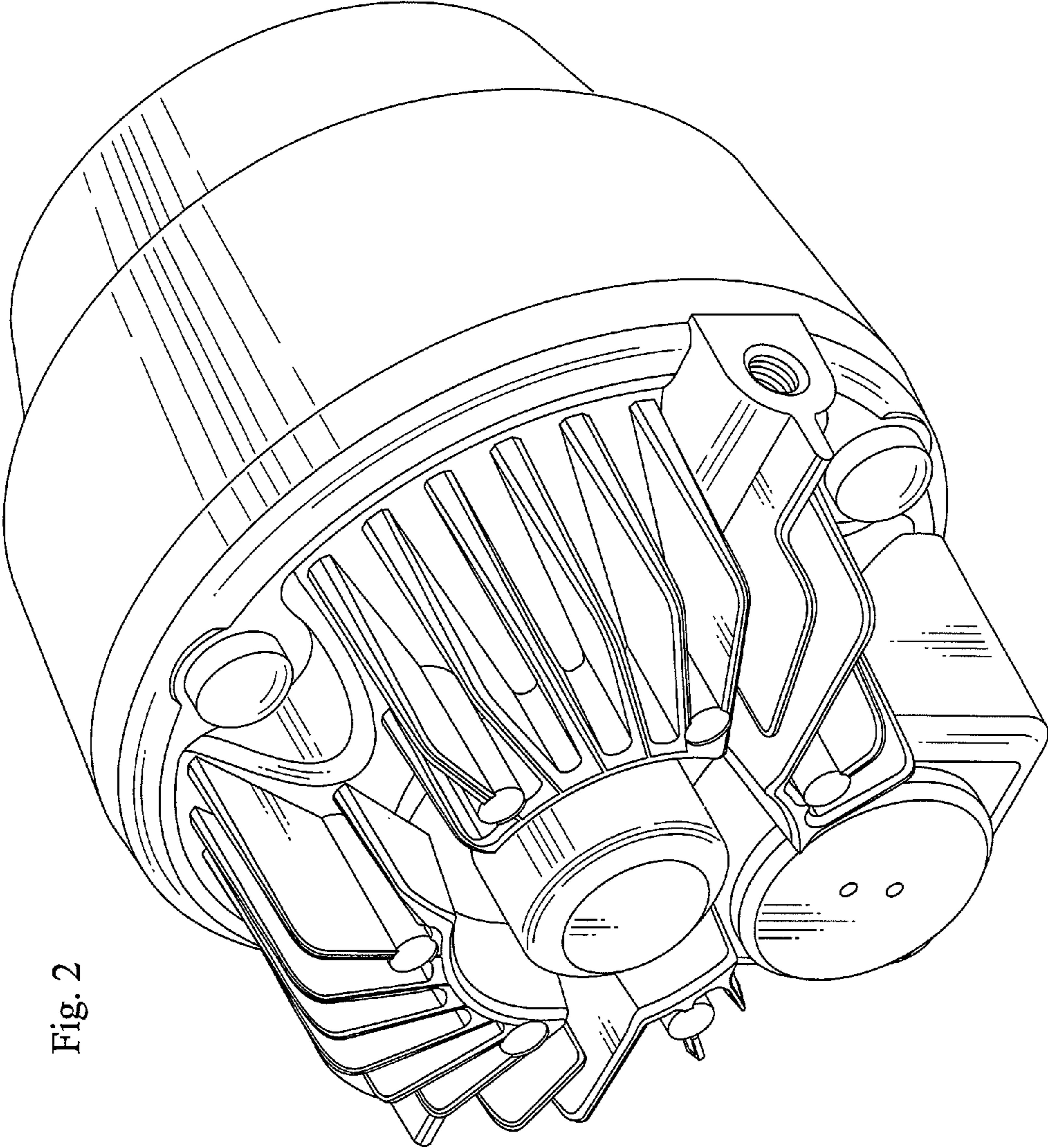


Fig. 2

Fig. 3

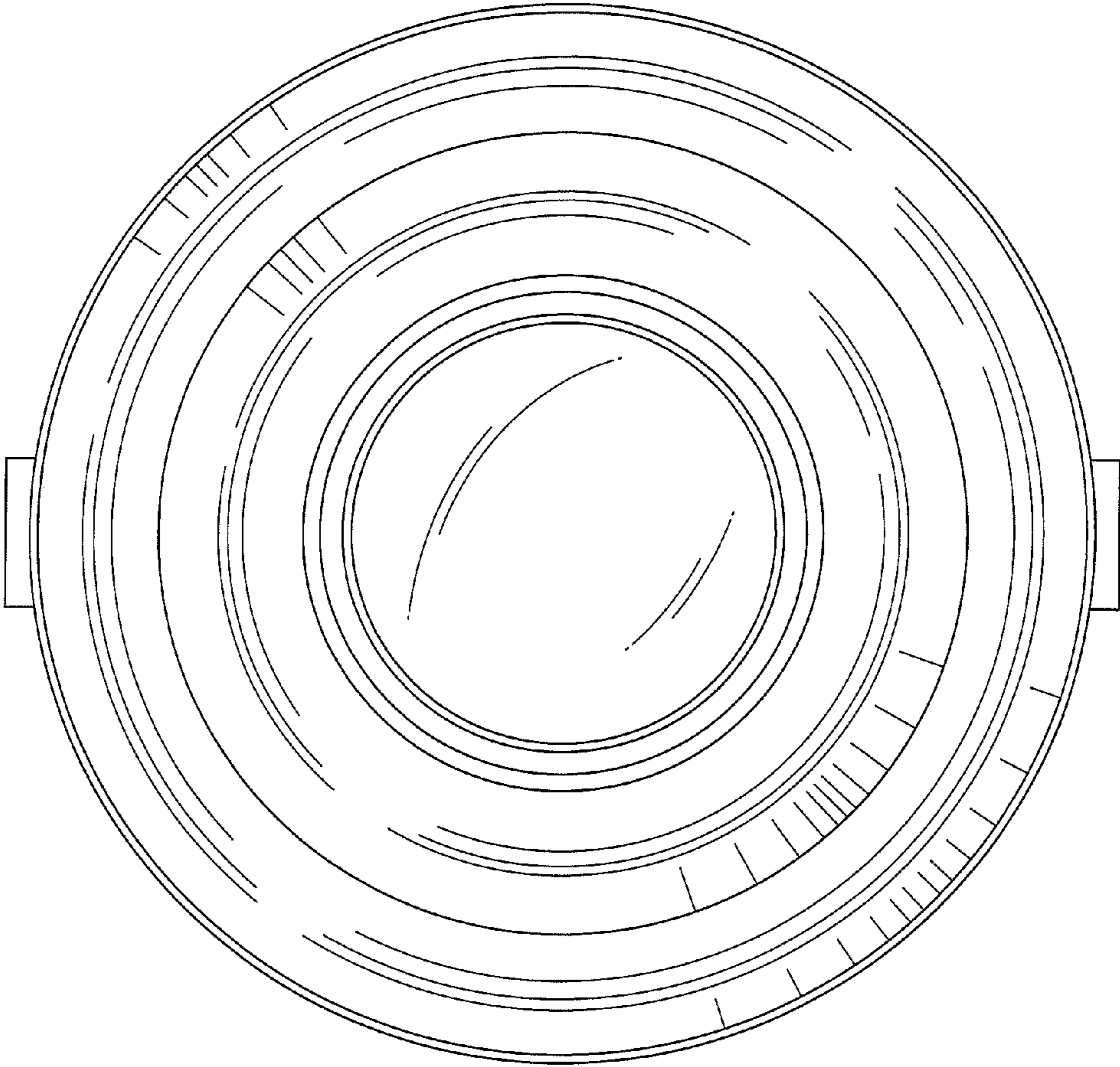


Fig. 4

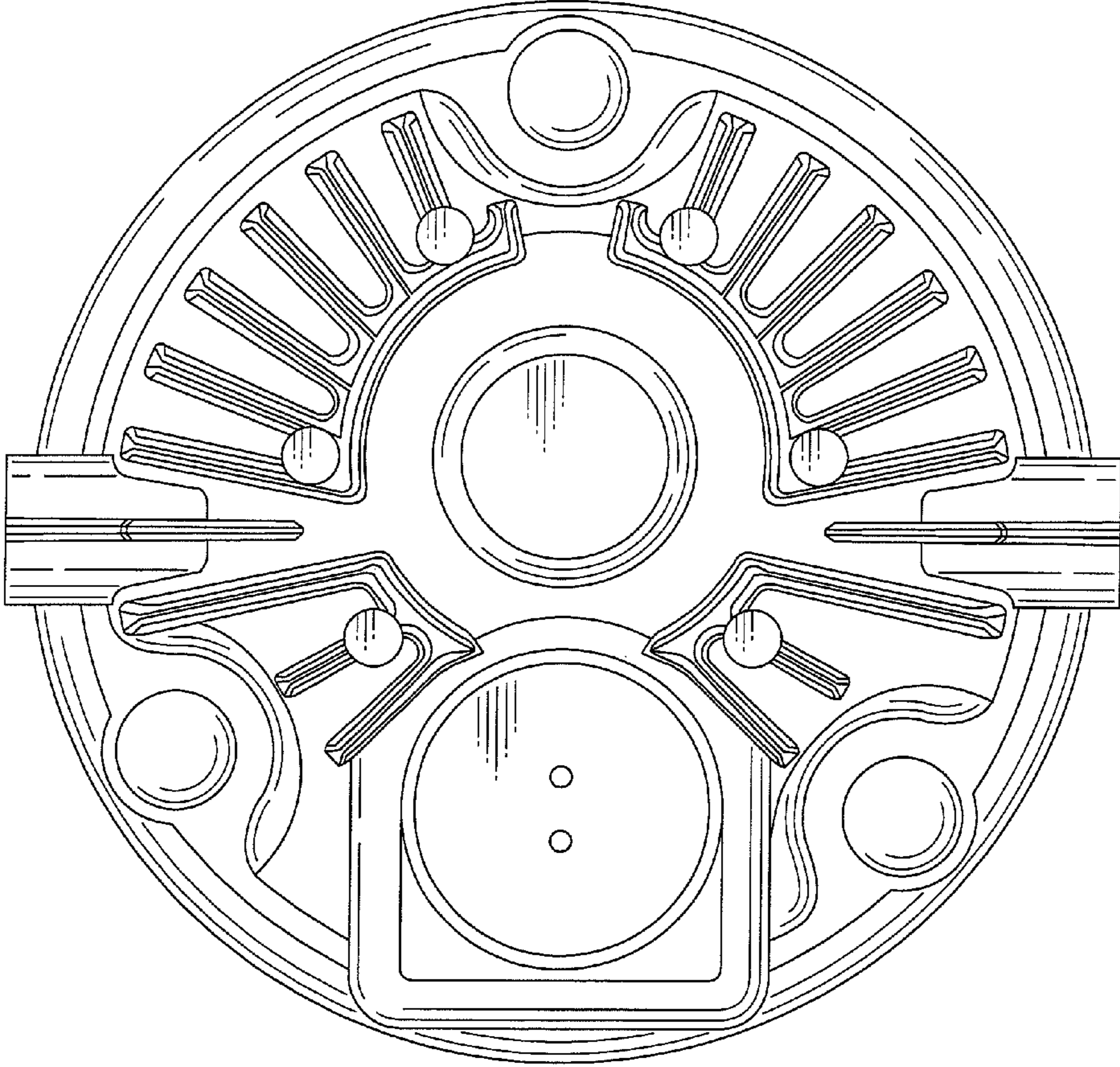


Fig. 5

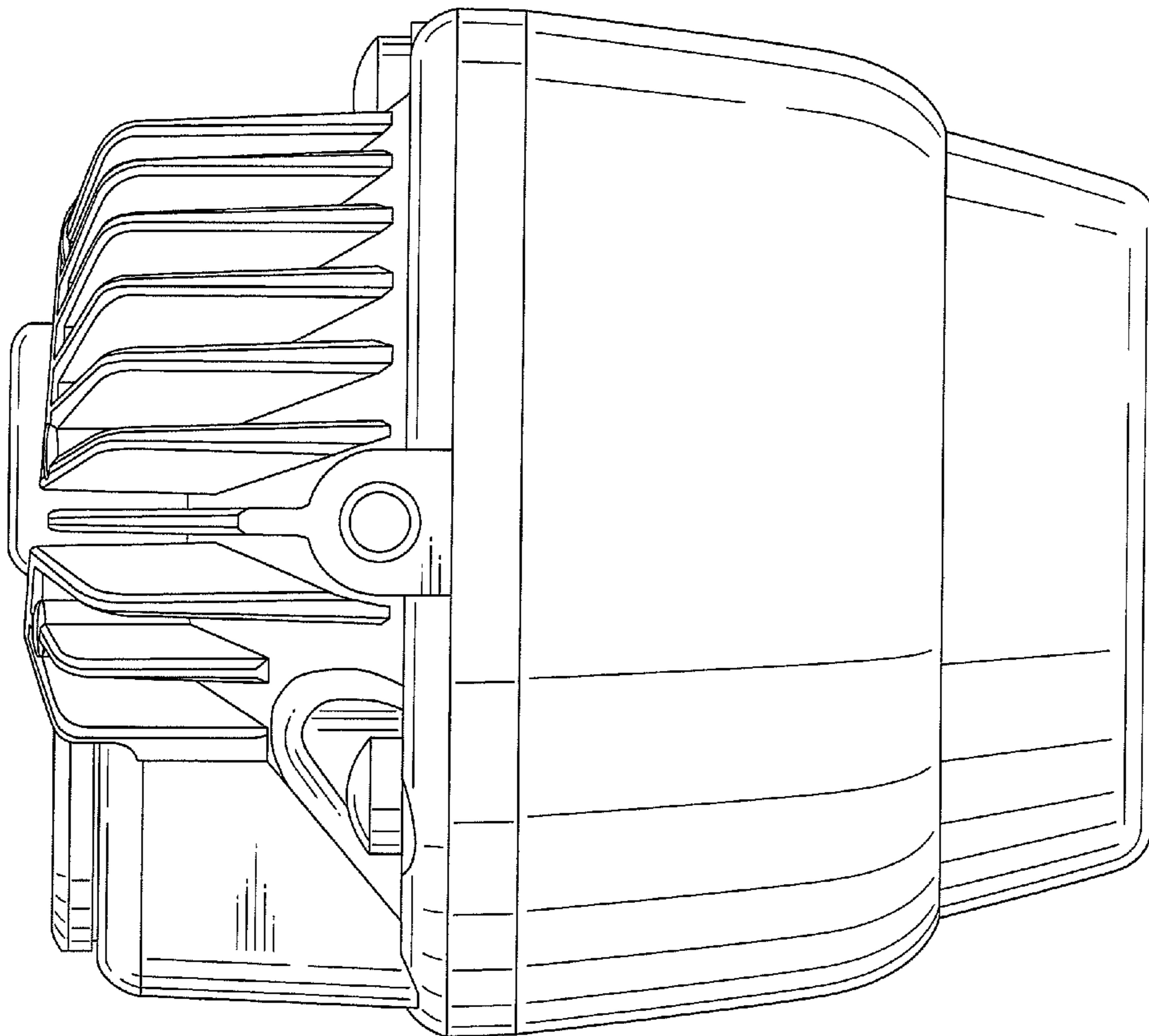


Fig. 6

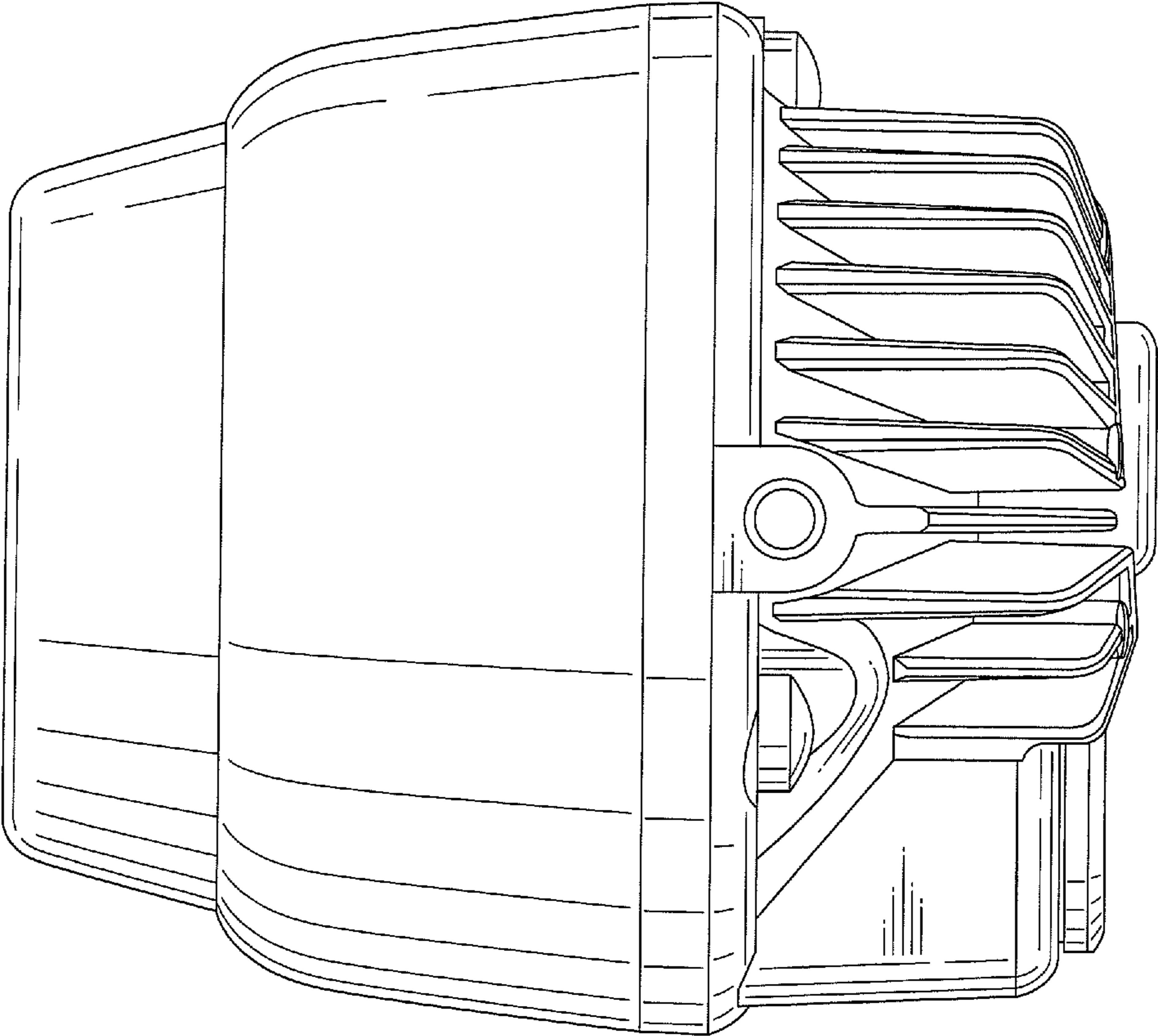


Fig. 7

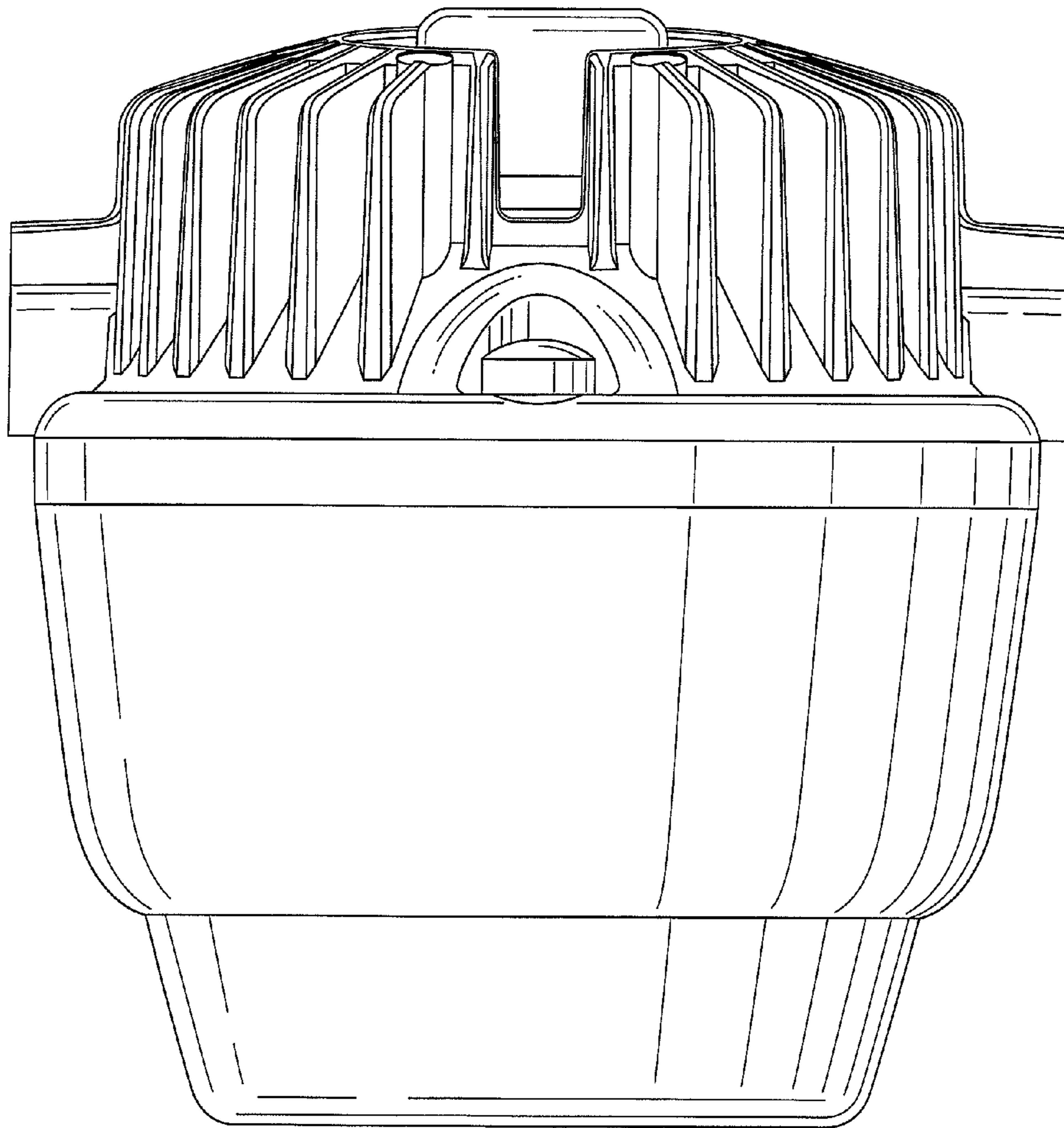


Fig. 8

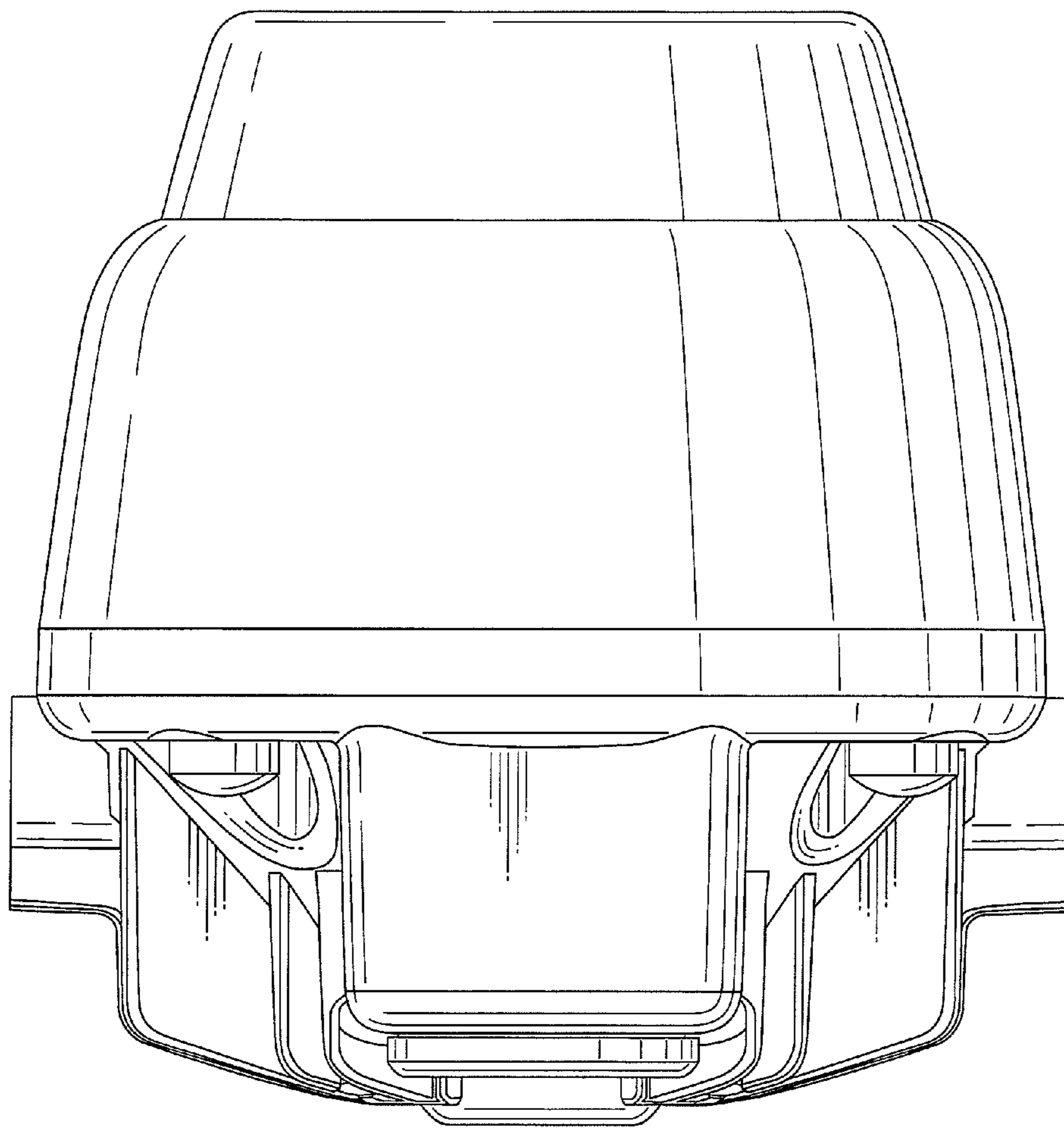


Fig. 9

