



US00D685518S

(12) **United States Design Patent**
Ramaker et al.

(10) **Patent No.:** **US D685,518 S**
(45) **Date of Patent:** **** Jul. 2, 2013**

(54) **DOUBLE CANDLE WICK**

(75) Inventors: **James Ramaker**, Huddleston, VA (US);
Beth A. Larson, Lynchburg, VA (US);
Mark A. Spangler, Bedford, VA (US)

(73) Assignee: **Smith Mountain Industries, Inc.**,
Forest, VA (US)

(**) Term: **14 Years**

(21) Appl. No.: **29/393,547**

(22) Filed: **Jun. 6, 2011**

(51) **LOC (9) Cl.** **26-99**

(52) **U.S. Cl.**
USPC **D26/116**

(58) **Field of Classification Search**
USPC D26/142, 118, 119, 113, 128, 129,
D26/140, 141, 136, 135, 145, 155, 154, 130,
D26/63, 62, 64, 65, 66, 67, 68, 69, 1, 2, 3,
D26/88, 89, 24, 25, 26, 72, 74, 75, 76, 78,
D26/77, 82, 84, 85, 93, 123, 124, 125, 116,
D26/5, 6, 7, 8, 9, 23, 114; D13/179, 180;
362/393, 145, 396, 194, 195, 196, 362, 326,
362/149, 147, 146, 148, 234, 249.01–249.12,
362/294, 295, 373; 431/291, 289, 292, 290
See application file for complete search history.

(56) **References Cited**

U.S. PATENT DOCUMENTS

170,995	A *	12/1875	Daniels	431/325
243,272	A *	6/1881	Joy	431/288
252,590	A *	1/1882	Loper	431/288
431,033	A *	7/1890	Chapin	431/325
2,324,753	A *	7/1943	Alexiade	431/323
3,321,938	A *	5/1967	Bureau	431/116
3,582,251	A *	6/1971	Concannon	431/126
D229,852	S *	1/1974	Lindbad	D26/9

4,206,500	A *	6/1980	Neil	362/161
6,444,156	B1 *	9/2002	Schwarz et al.	264/405
6,857,869	B1 *	2/2005	Sun	431/289
7,922,482	B2 *	4/2011	Kubicek et al.	431/291
D643,554	S	8/2011	Decker		
D644,259	S *	8/2011	Barley et al.	D16/203
D644,360	S *	8/2011	Decker	D26/6
D663,450	S *	7/2012	Delcotto et al.	D26/6
D669,615	S *	10/2012	Delcotto et al.	D26/6
2002/0102187	A1 *	8/2002	Bellenger et al.	422/126
2004/0009447	A1 *	1/2004	Decker	431/288
2005/0037308	A1 *	2/2005	Decker	431/325
2007/0275336	A1 *	11/2007	Sun	431/291

* cited by examiner

Primary Examiner — Kevin Rudzinski

(74) *Attorney, Agent, or Firm* — Frost Brown Todd LLC

(57) **CLAIM**

The ornamental design for a double candle wick, as shown and described.

DESCRIPTION

FIG. 1 is a perspective view of an embodiment of a double candle wick showing our new design.

FIG. 2 is a front elevation view thereof, the back elevation view being a mirror image thereof, and the side elevation views having the same appearance.

FIG. 3 is a top plan view thereof.

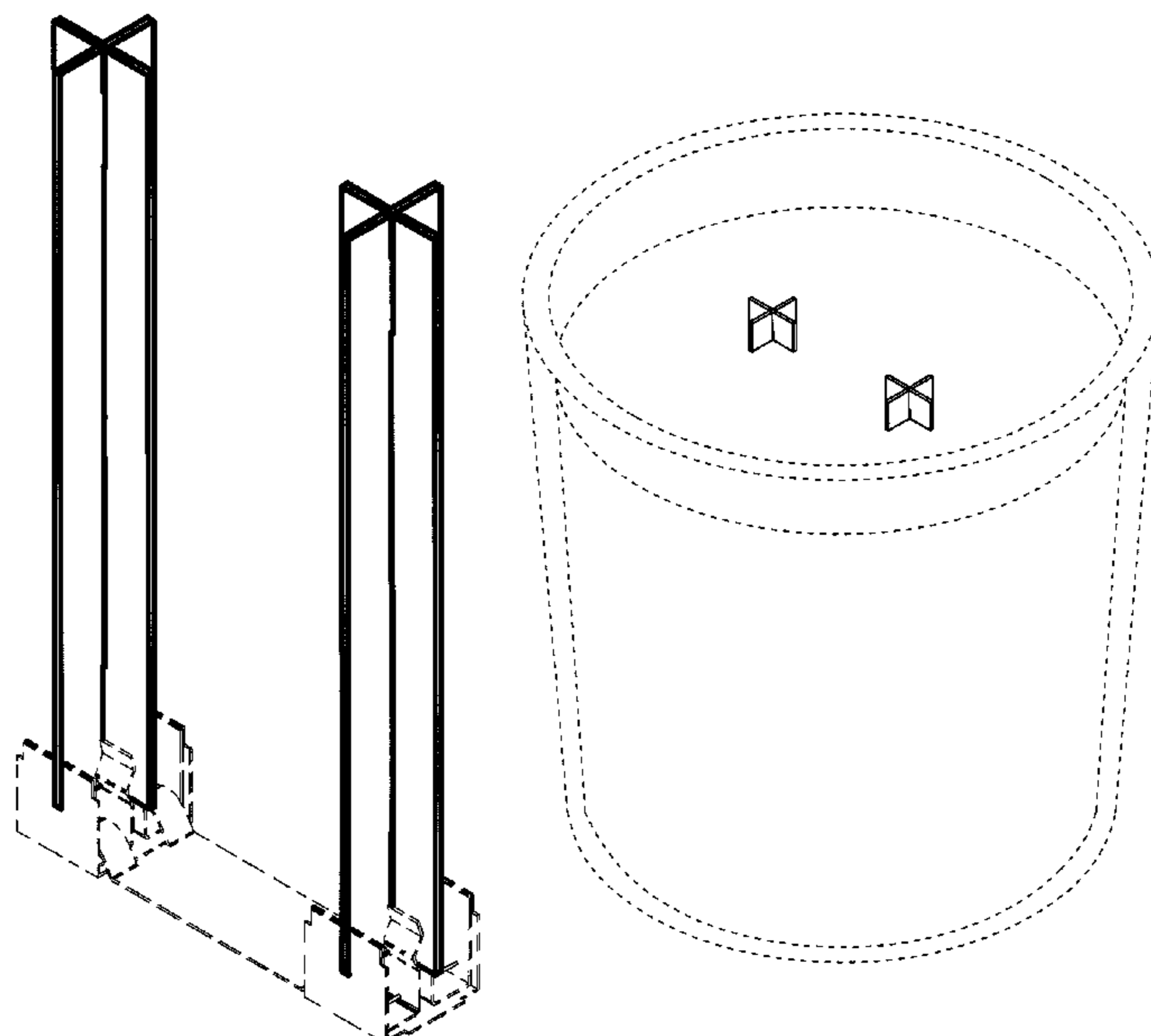
FIG. 4 is a perspective view of the double candle wick of FIGS. 1-3 shown as a component of a wax candle.

FIG. 5 is a side elevation view thereof, shown with the wax removed, the opposite side elevation view being a mirror image thereof; and,

FIG. 6 is a top plan view thereof.

The broken lines in the drawings are included for purposes of illustrating portions of the environment used with the double candle wick that form no part of the claimed design.

1 Claim, 6 Drawing Sheets



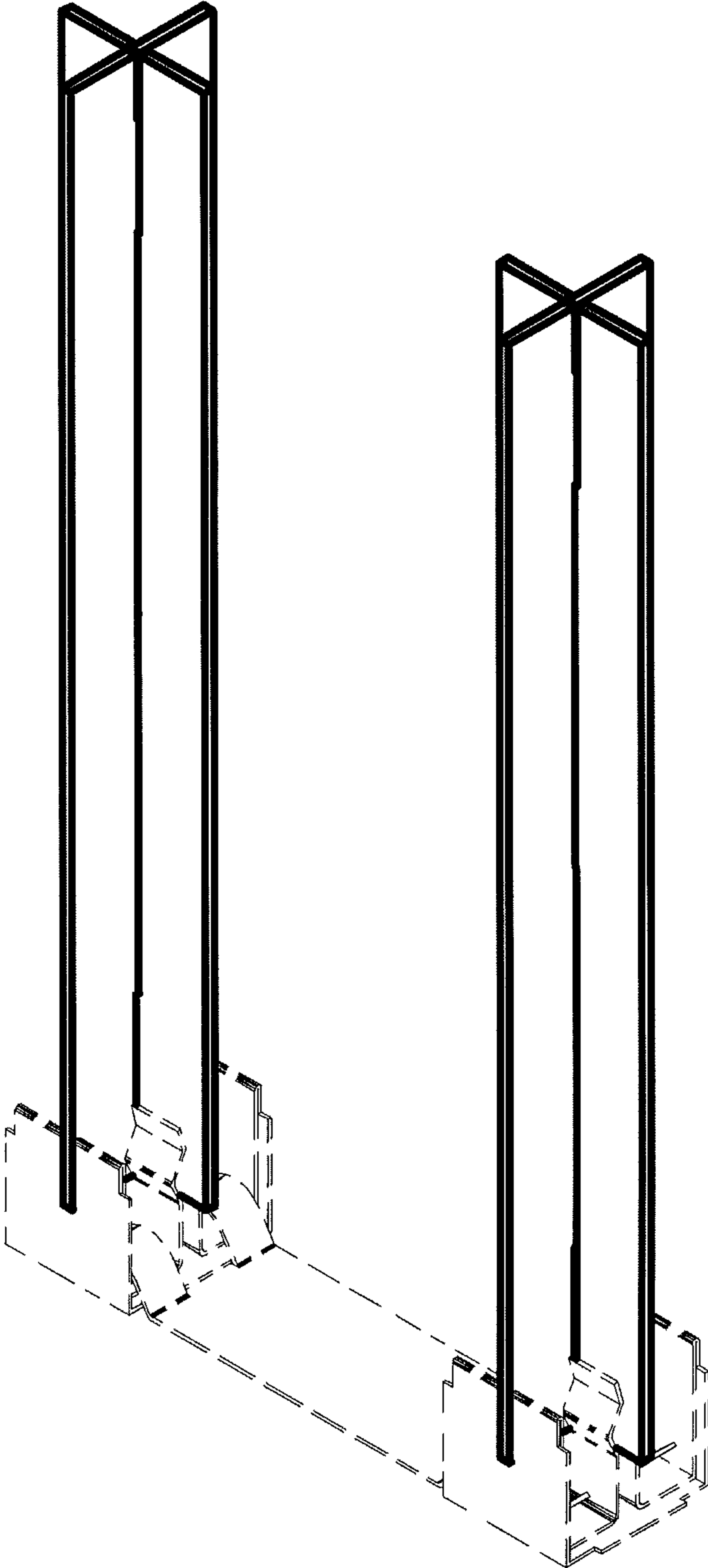


Fig. 1

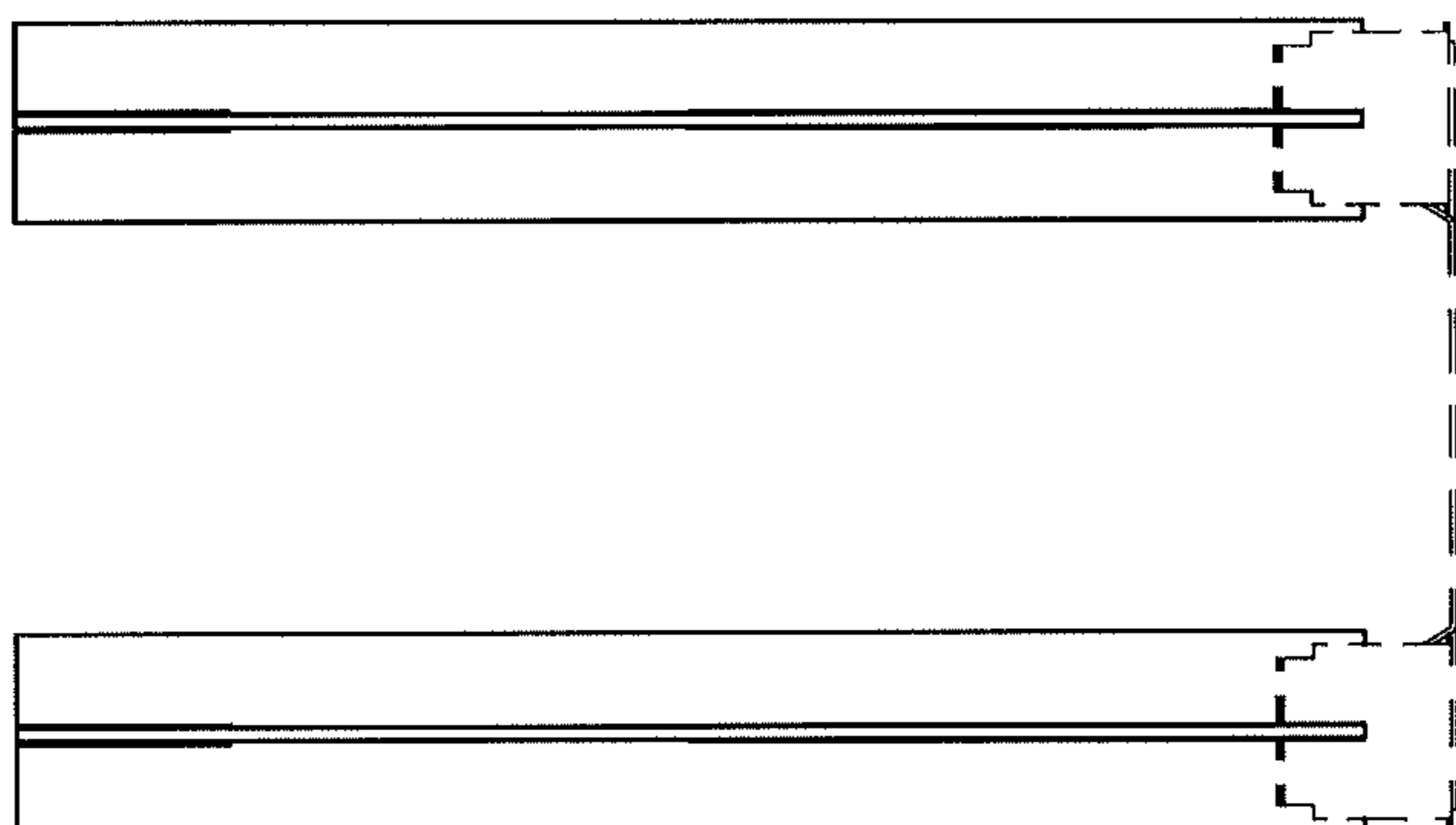


Fig. 2

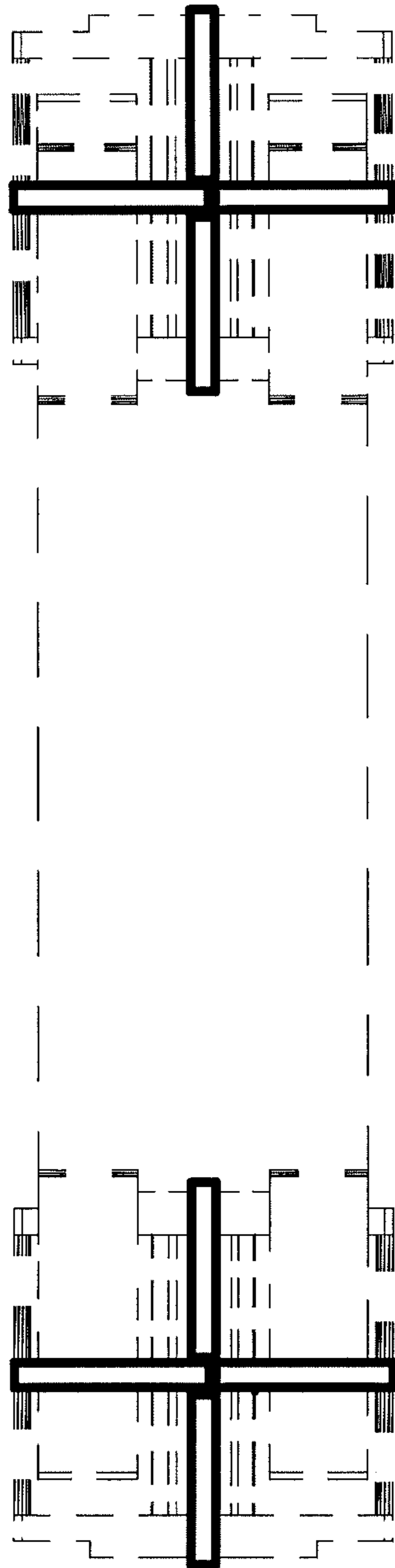


Fig. 3

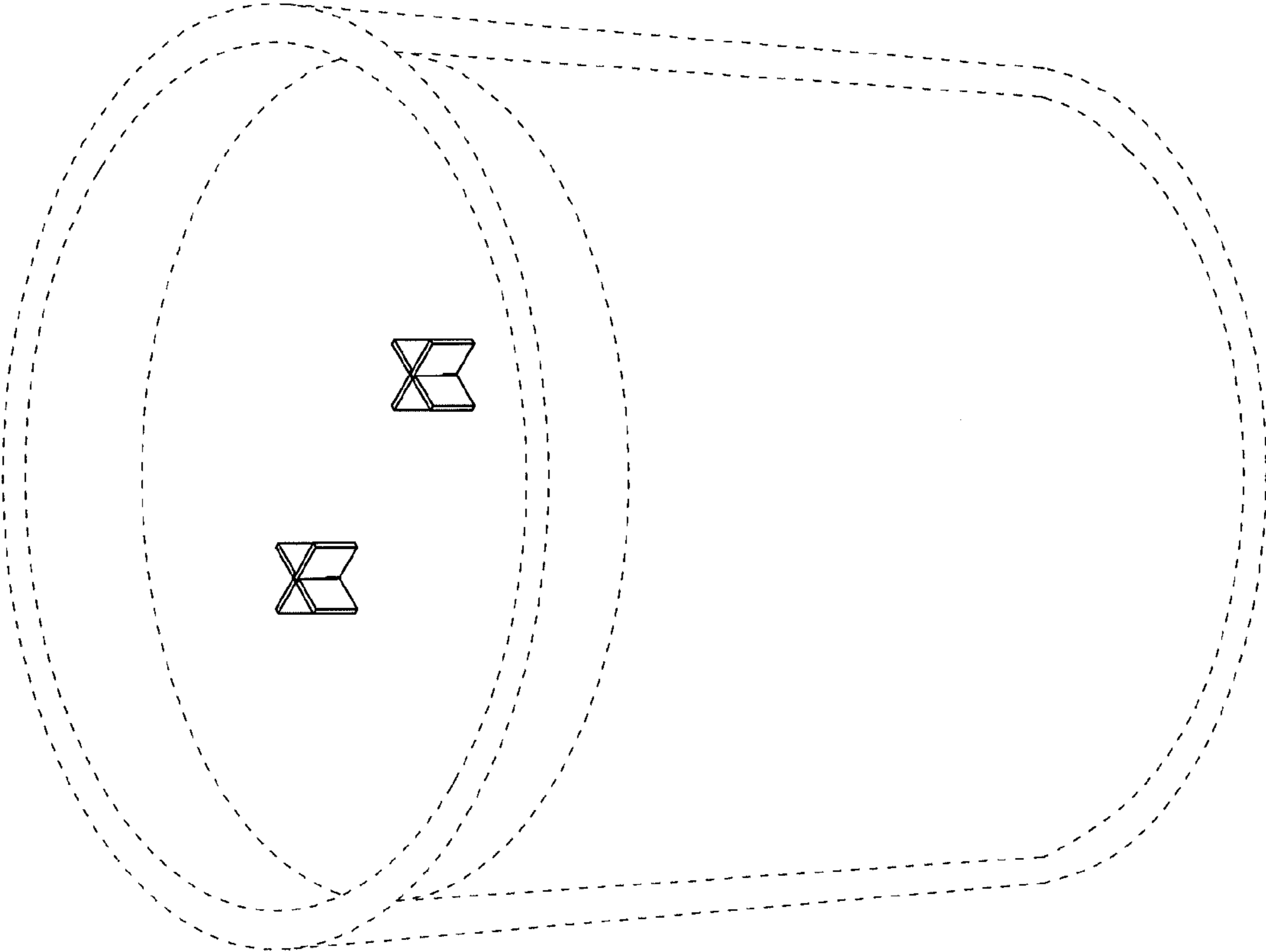


Fig. 4

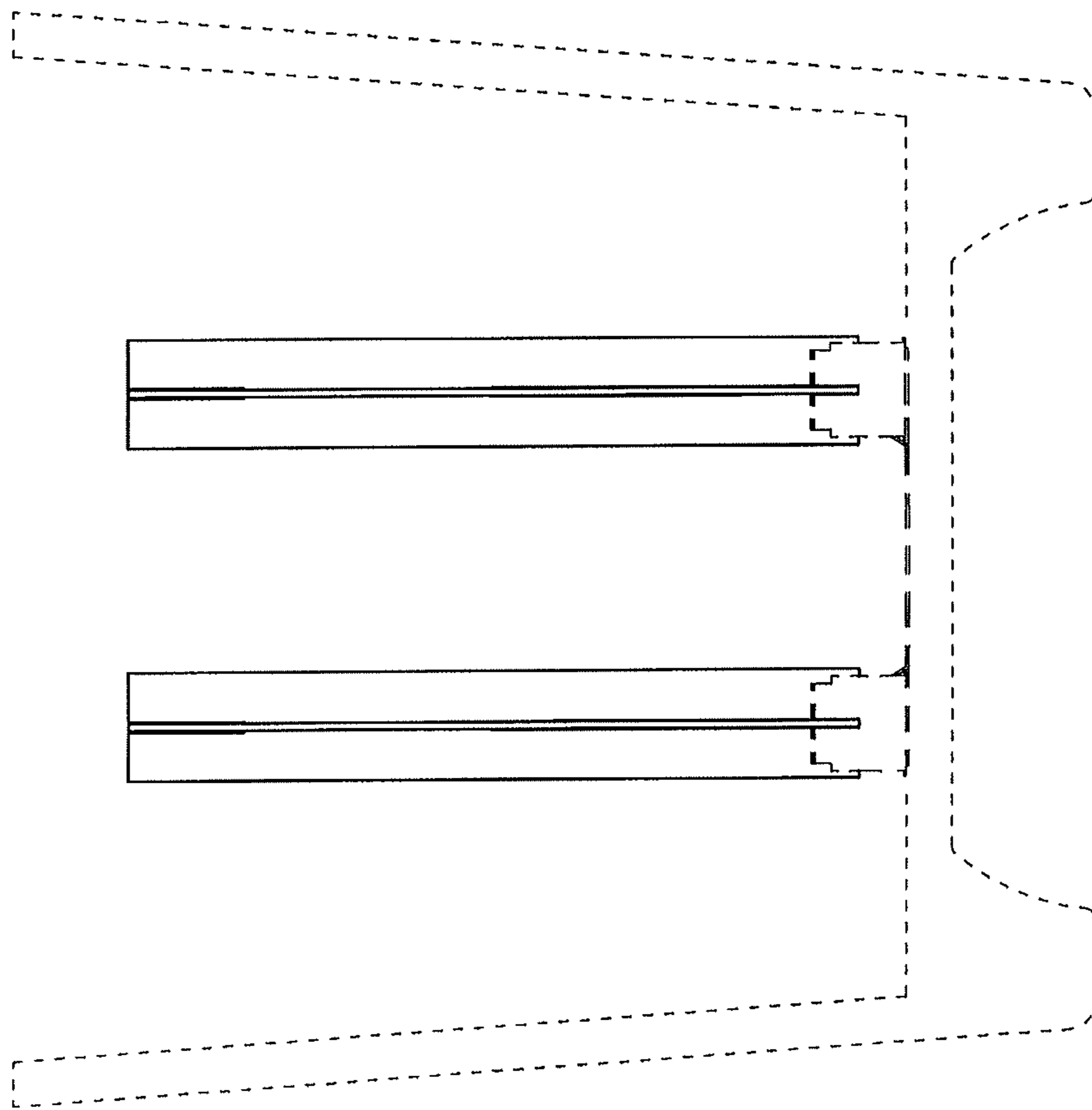


Fig. 5

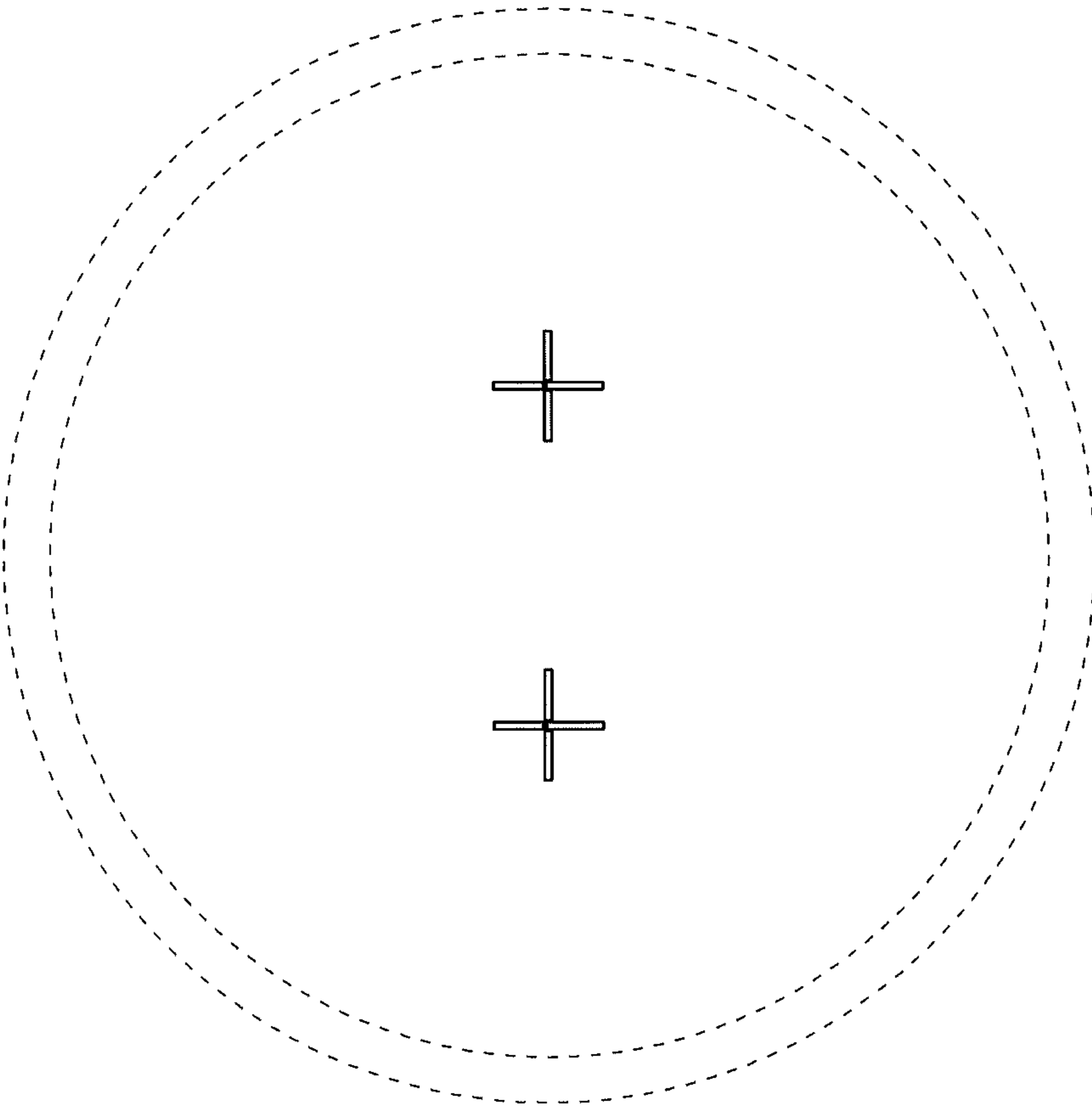


Fig. 6