



US00D685517S

(12) **United States Design Patent**
Lu et al.

(10) **Patent No.:** **US D685,517 S**
(45) **Date of Patent:** **** Jul. 2, 2013**

(54) **ILLUMINATION DEVICE**
(75) Inventors: **Kuan-Pao Lu**, New Taipei (TW);
Tsung-Wen Chen, Changhua (TW);
Zhi-Ting Ye, Zaociao Township, Miaoli
County (TW); **Chin-Liang Chen**,
Taichung (TW); **Ming-Chuan Lin**,
Taichung (TW)

D302,867 S *	8/1989	Dennis et al.	D26/110
D304,913 S *	12/1989	Cassells et al.	D11/145
D336,061 S *	6/1993	Kraselsky et al.	D11/145
D480,497 S *	10/2003	Lau Ting Yup	D26/104
D496,126 S *	9/2004	Huang	D26/104
D537,753 S *	3/2007	Belokin	D11/145
D596,527 S *	7/2009	Kertz	D11/145
D596,985 S *	7/2009	Machado et al.	D11/160
D624,454 S *	9/2010	Kertz	D11/145

FOREIGN PATENT DOCUMENTS

(73) Assignees: **Dongguan Masstop Liquid Crystal Display Co., Ltd.**, Dongguan, Guangdong Province (CN); **Wintek Corporation**, Taichung (TW)

TW	215813	11/1993
TW	259609	10/1995

* cited by examiner

(**) Term: **14 Years**

Primary Examiner — Brian N Vinson

(21) Appl. No.: **29/413,608**

(74) *Attorney, Agent, or Firm* — McClure, Qualey & Rodack, LLP

(22) Filed: **Feb. 17, 2012**

(57) **CLAIM**

The ornamental design for an illumination device, as shown and described.

(30) **Foreign Application Priority Data**

DESCRIPTION

Sep. 8, 2011 (TW) 100304747

(51) **LOC (9) Cl.** **23-03**

(52) **U.S. Cl.**
USPC **D26/104**

(58) **Field of Classification Search**
USPC .. D26/1, 24, 93, 94, 104, 107, 110; D11/145,
D11/160; 362/153, 255, 257, 317, 362, 382,
362/410-414, 418, 427, 431, 433, 441; 47/32.4,
47/32.5, 32.7, 33, 41.01, 41.1, 41.11, 41.15,
47/44-47, 65, 65.5, 65.9

FIG. 1 is a front, top and right side perspective view of an illumination device showing our new design;
FIG. 2 is a front elevational view thereof;
FIG. 3 is a left side elevational view thereof;
FIG. 4 is a right side elevational view thereof;
FIG. 5 is a top plan view thereof;
FIG. 6 is a bottom plan view thereof;
FIG. 7 is a rear elevational view thereof;
FIG. 8 is an additional front, top and right side perspective view thereof; and,
FIG. 9 is a front, top and right perspective view thereof with the cover shown in a lifted position.
The broken line disclosure represents portions of the article and environmental structure which form no part of the claimed design.

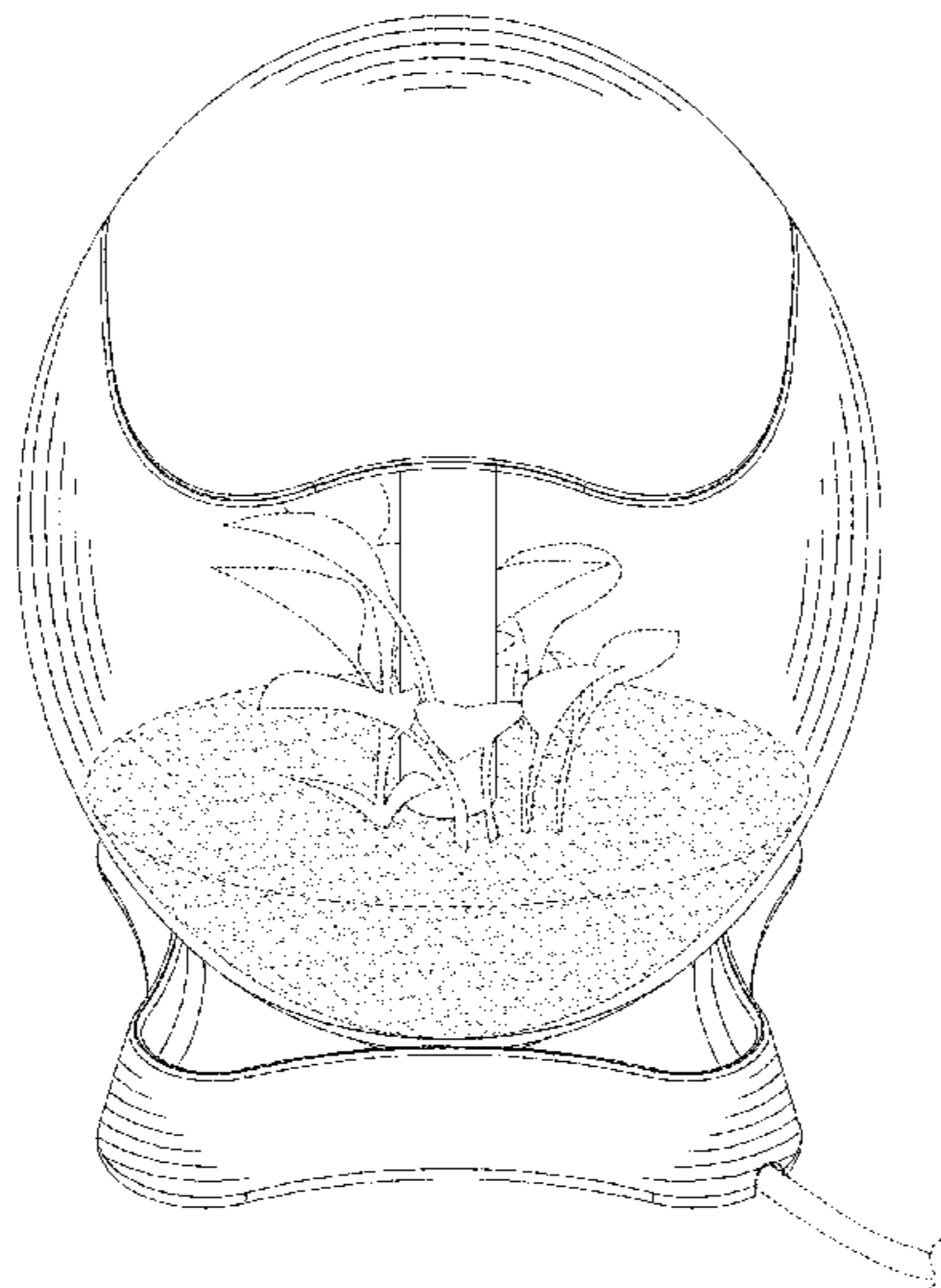
See application file for complete search history.

(56) **References Cited**

U.S. PATENT DOCUMENTS

D209,303 S *	11/1967	Zadek	D11/160
D289,355 S *	4/1987	Paulides	D11/145
D298,573 S *	11/1988	Komamura	D26/93

1 Claim, 9 Drawing Sheets



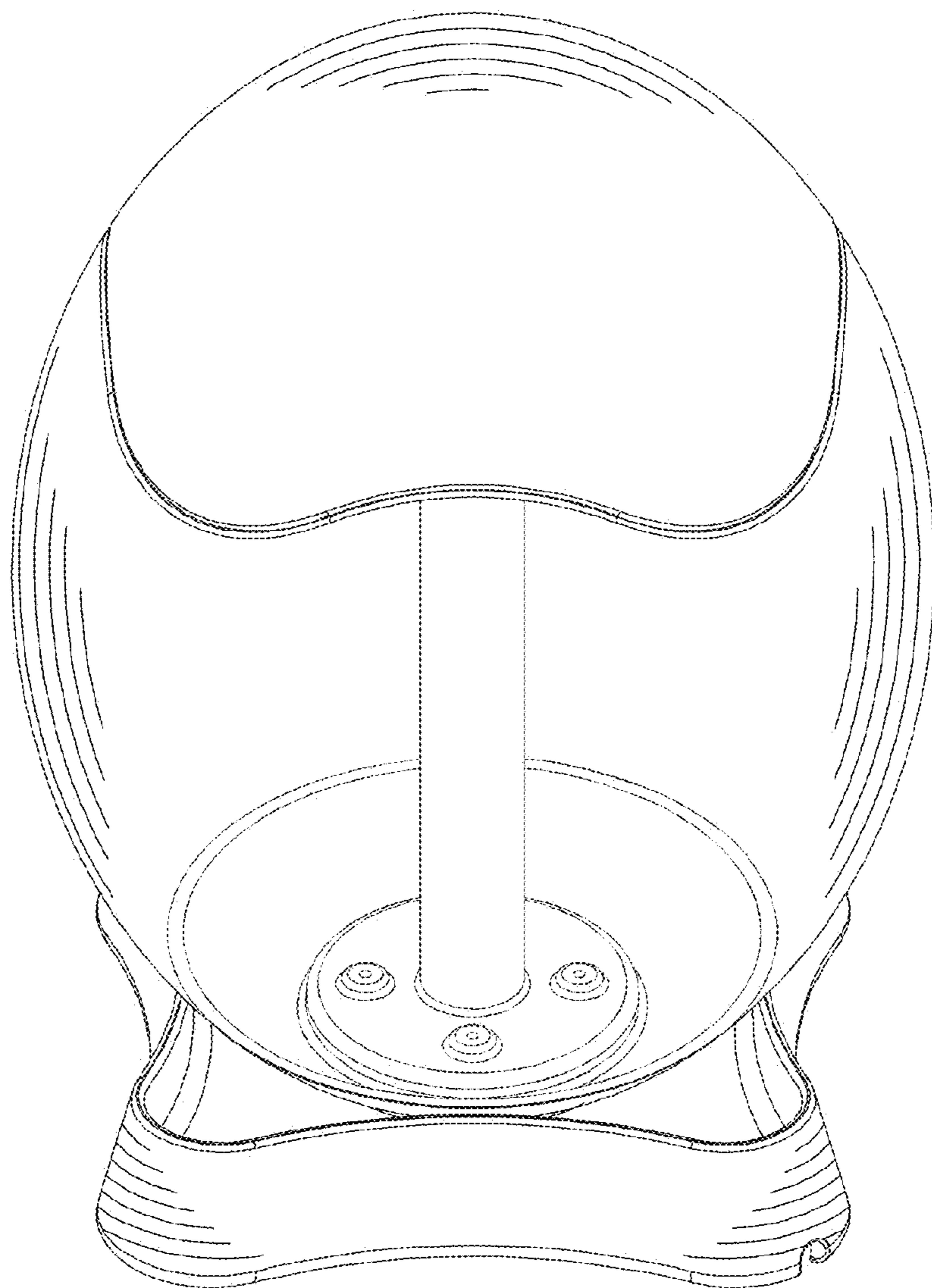


FIG. 1

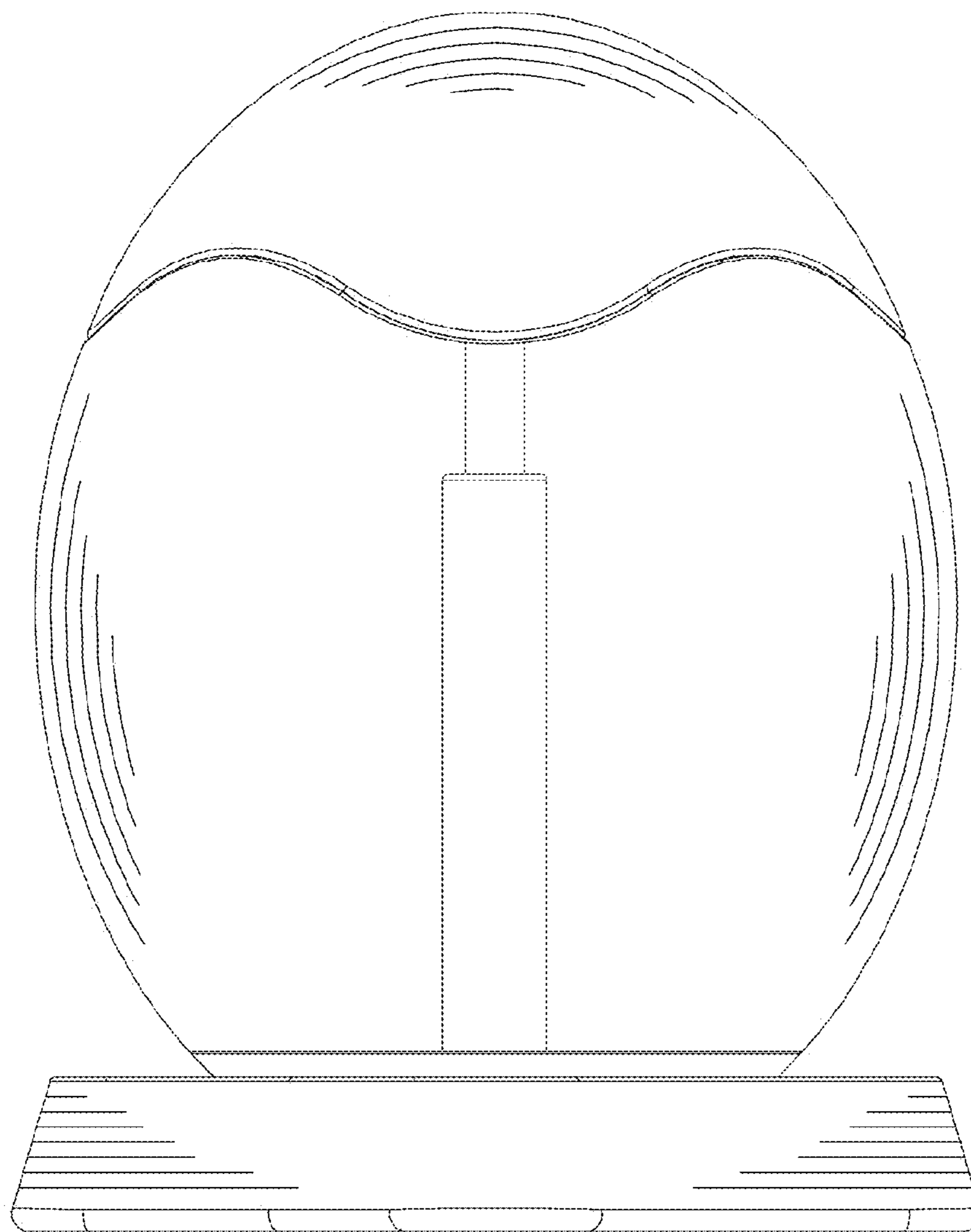


FIG. 2

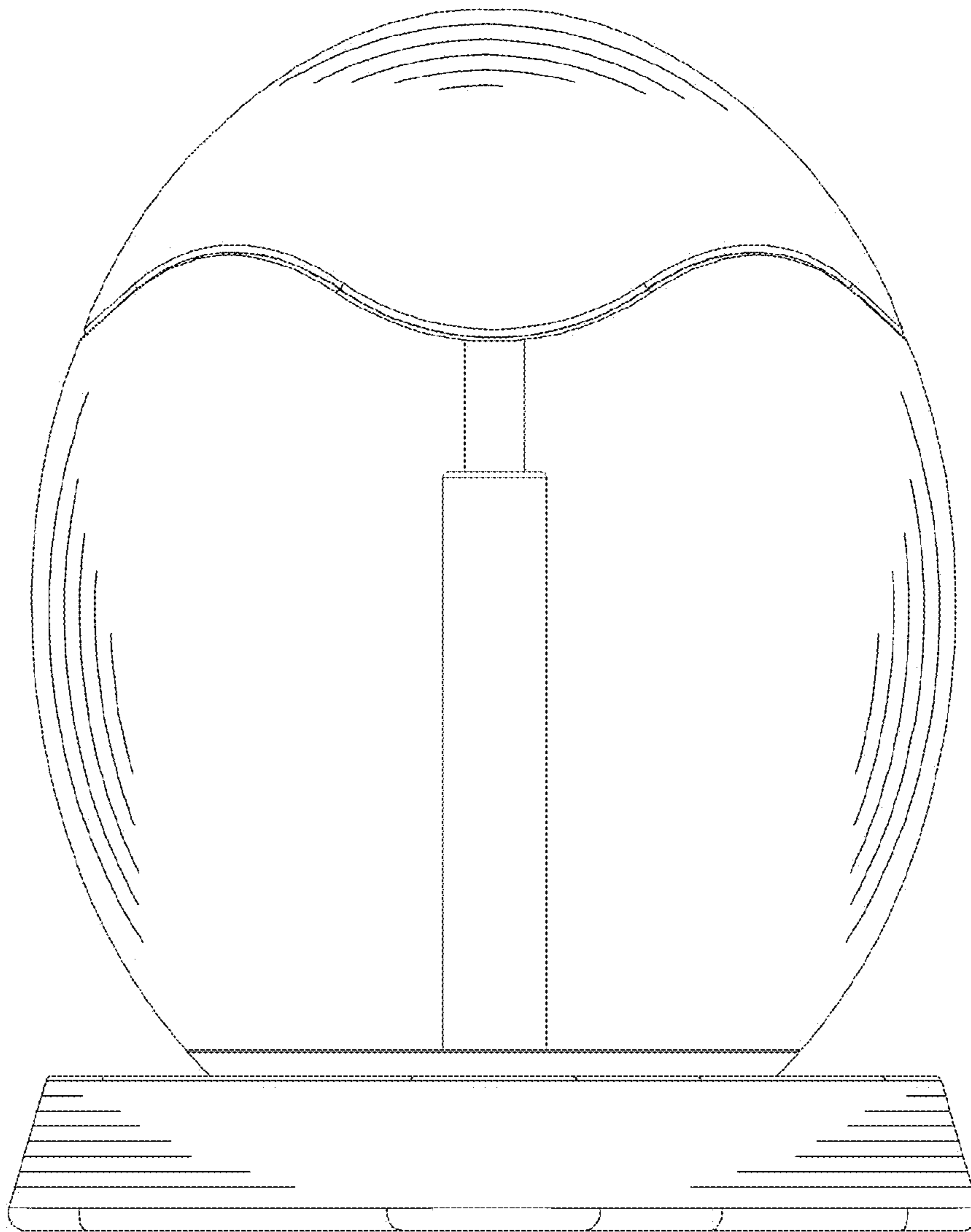


FIG. 3

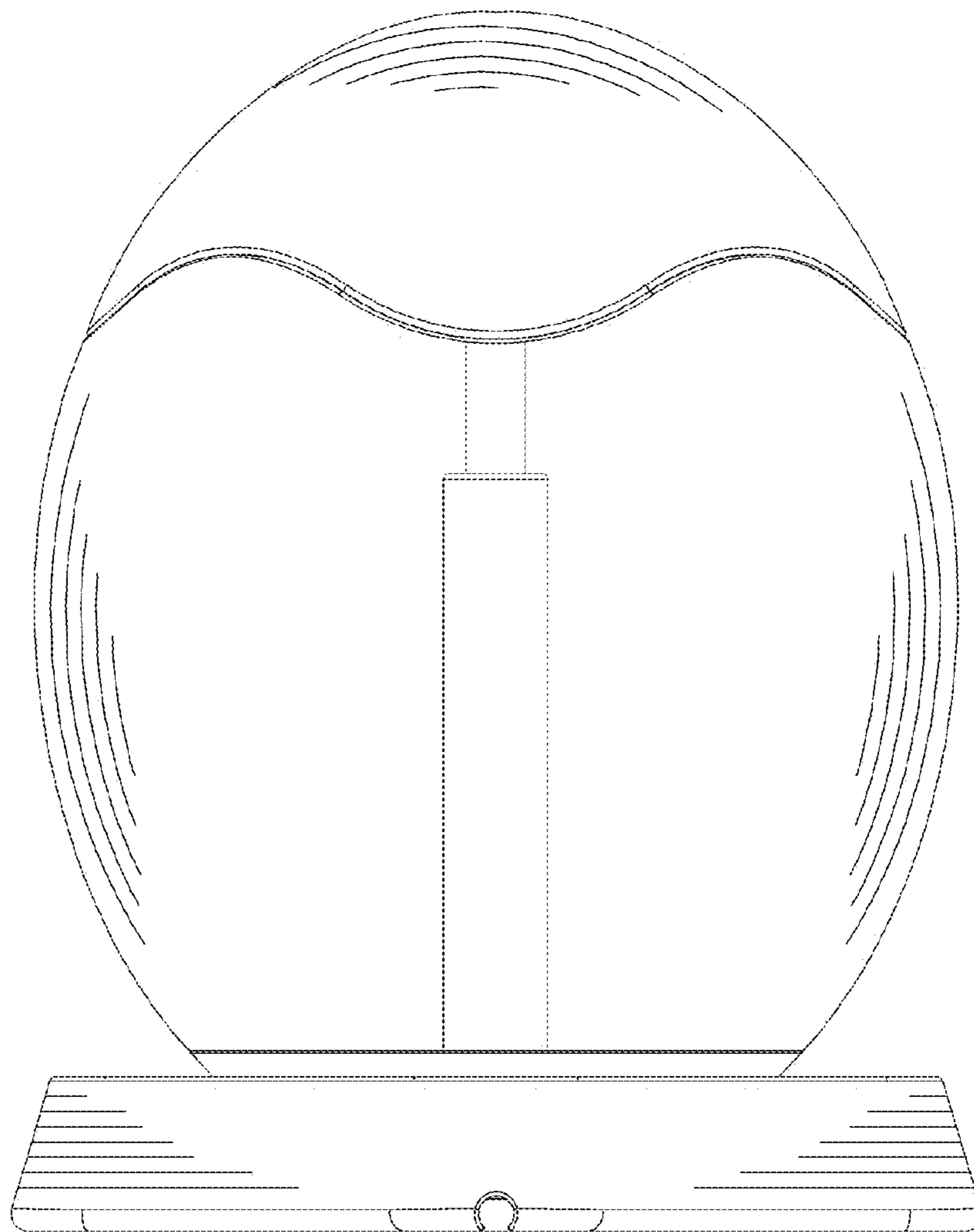


FIG. 4

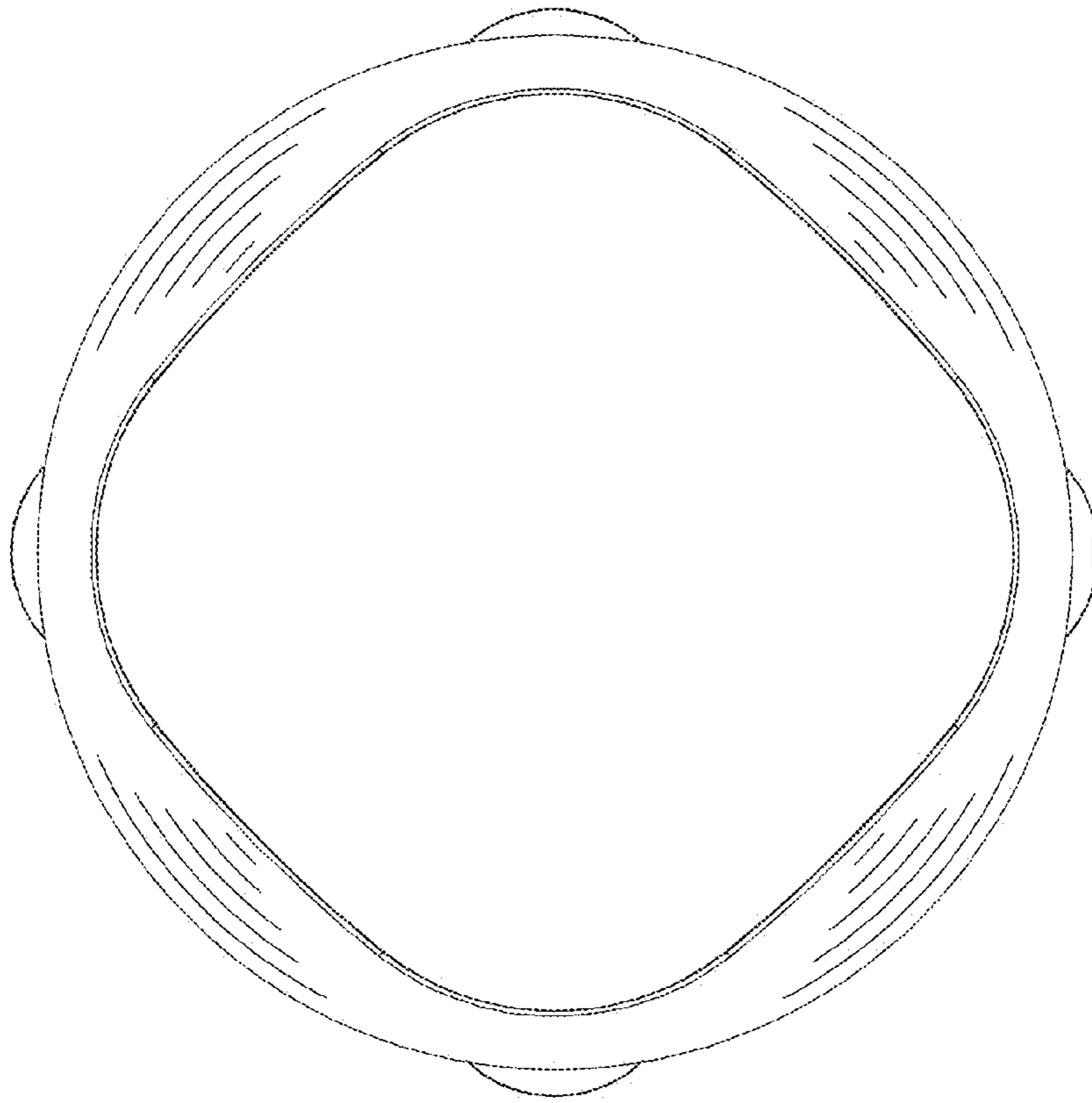


FIG. 5

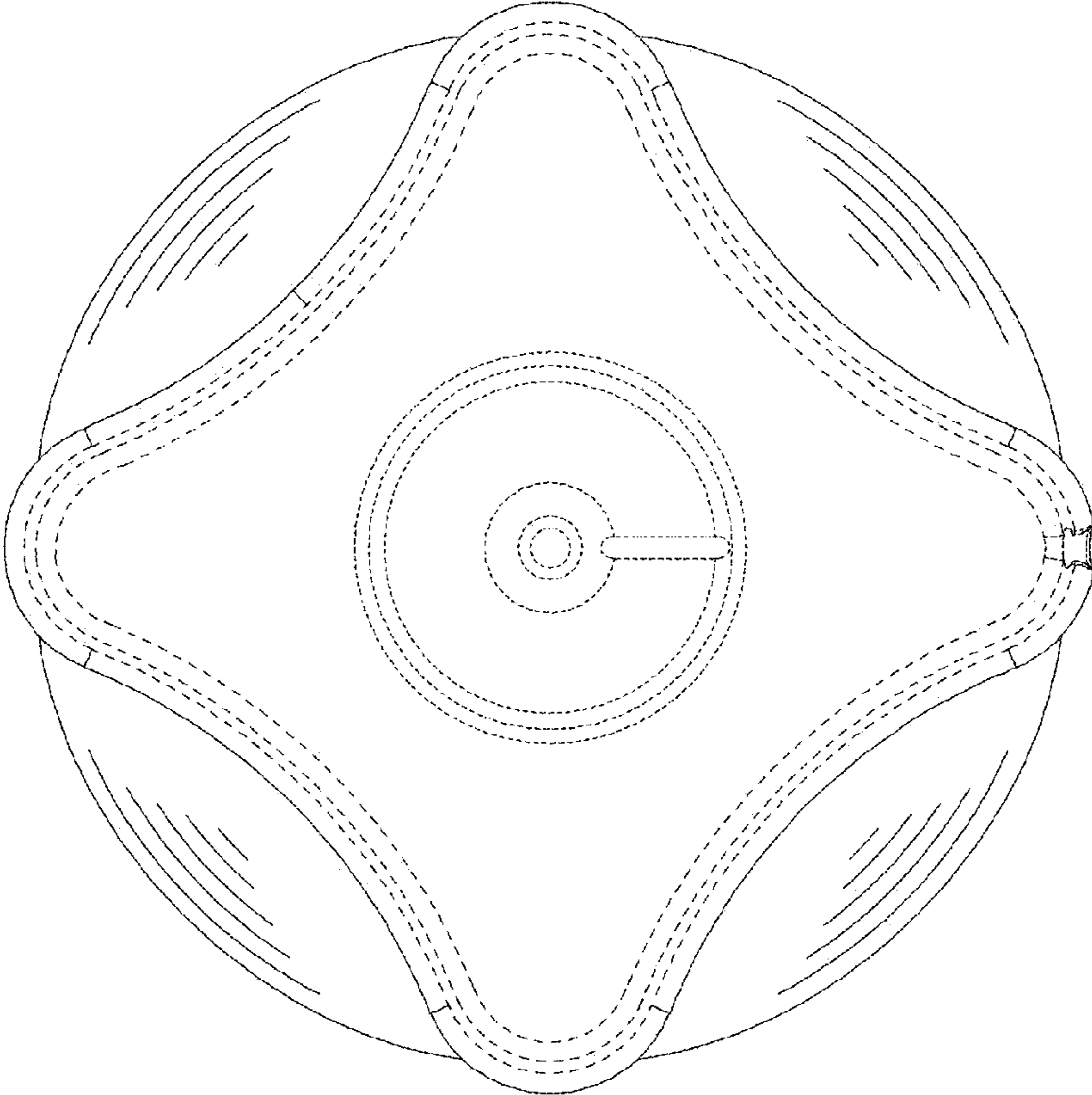


FIG. 6

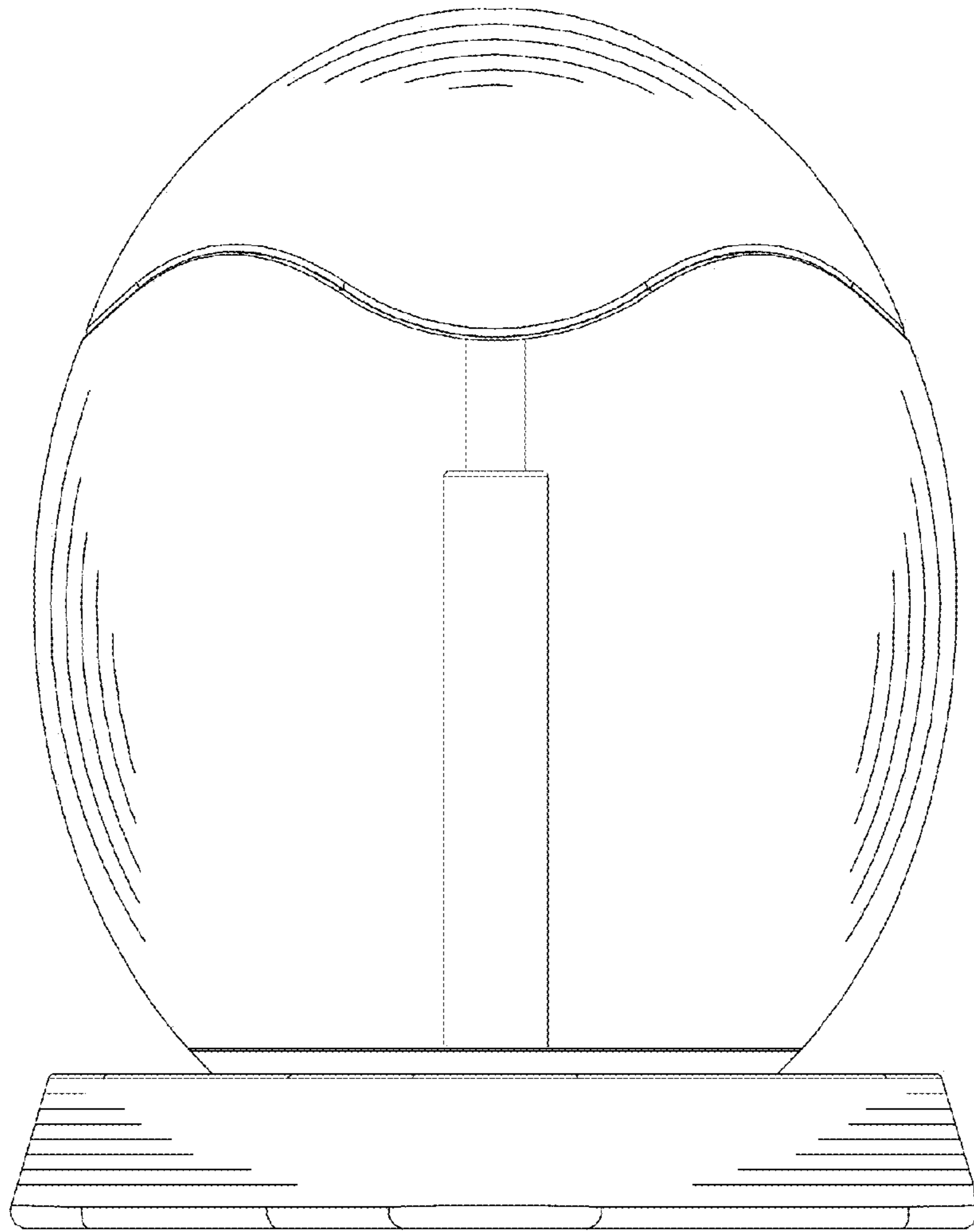


FIG. 7

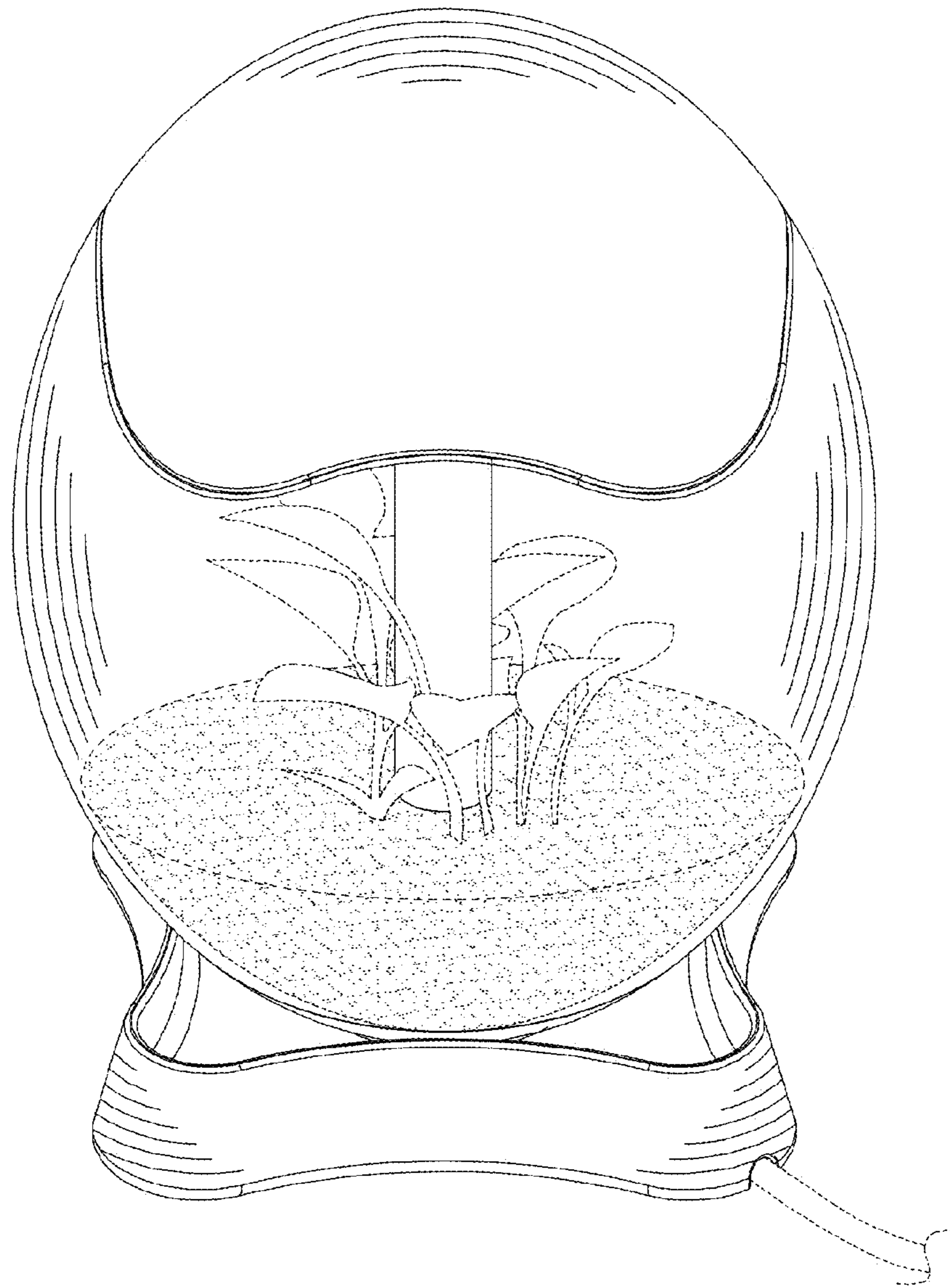


FIG. 8

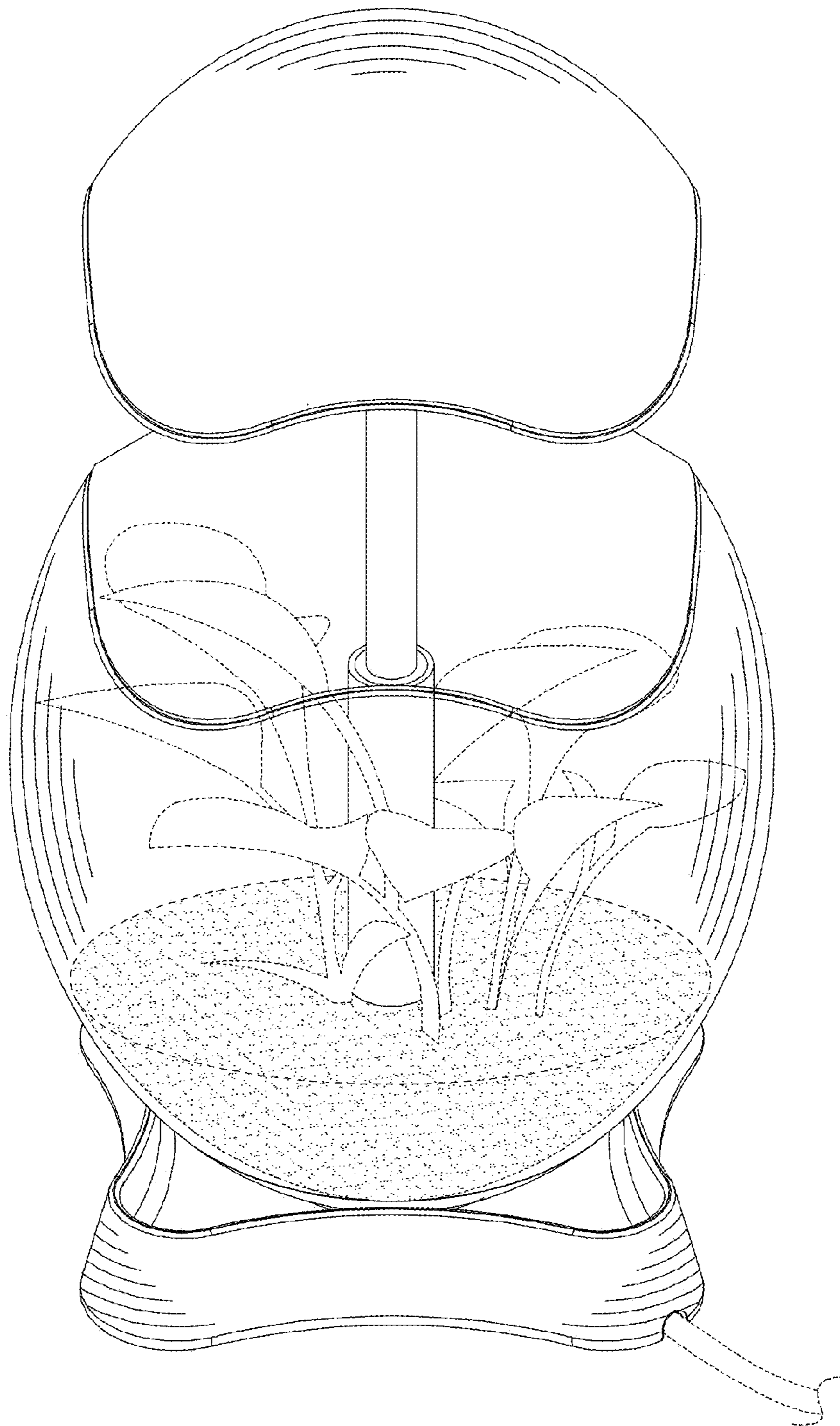


FIG. 9