



US00D685514S

(12) **United States Design Patent**
Djajadiningrat

(10) **Patent No.:** **US D685,514 S**

(45) **Date of Patent:** **** Jul. 2, 2013**

(54) **WAKE UP LIGHT**

(75) **Inventor:** **Johan Partomo Djajadiningrat,**
Utrecht (NL)

(73) **Assignee:** **Koninklijke Philips Electronics N.V.,**
Eindhoven (NL)

(**) **Term:** **14 Years**

(21) **Appl. No.:** **29/410,092**

(22) **Filed:** **Jan. 4, 2012**

(30) **Foreign Application Priority Data**

Jun. 7, 2011 (EM) 001887852-0001

(51) **LOC (9) Cl.** **26-03**

(52) **U.S. Cl.**
USPC **D26/93**

(58) **Field of Classification Search**
USPC D26/24, 61-67, 93, 102, 104-105,
D26/108-109; 362/509, 516, 523, 186, 217,
362/255, 257, 277, 317, 319, 351, 354, 355,
362/357, 358, 362, 382, 410, 413, 417, 806

See application file for complete search history.

(56) **References Cited**

U.S. PATENT DOCUMENTS

D196,600 S * 10/1963 Passman D26/107
D286,205 S * 10/1986 Jankowski et al. D26/65
5,142,467 A * 8/1992 Yuen D26/63
D342,801 S * 12/1993 Poon D26/63

OTHER PUBLICATIONS

“Madrazo” Floor Lamp, 1000 Lights, Taschen (2006) p. 96.*

* cited by examiner

Primary Examiner — Brian N Vinson

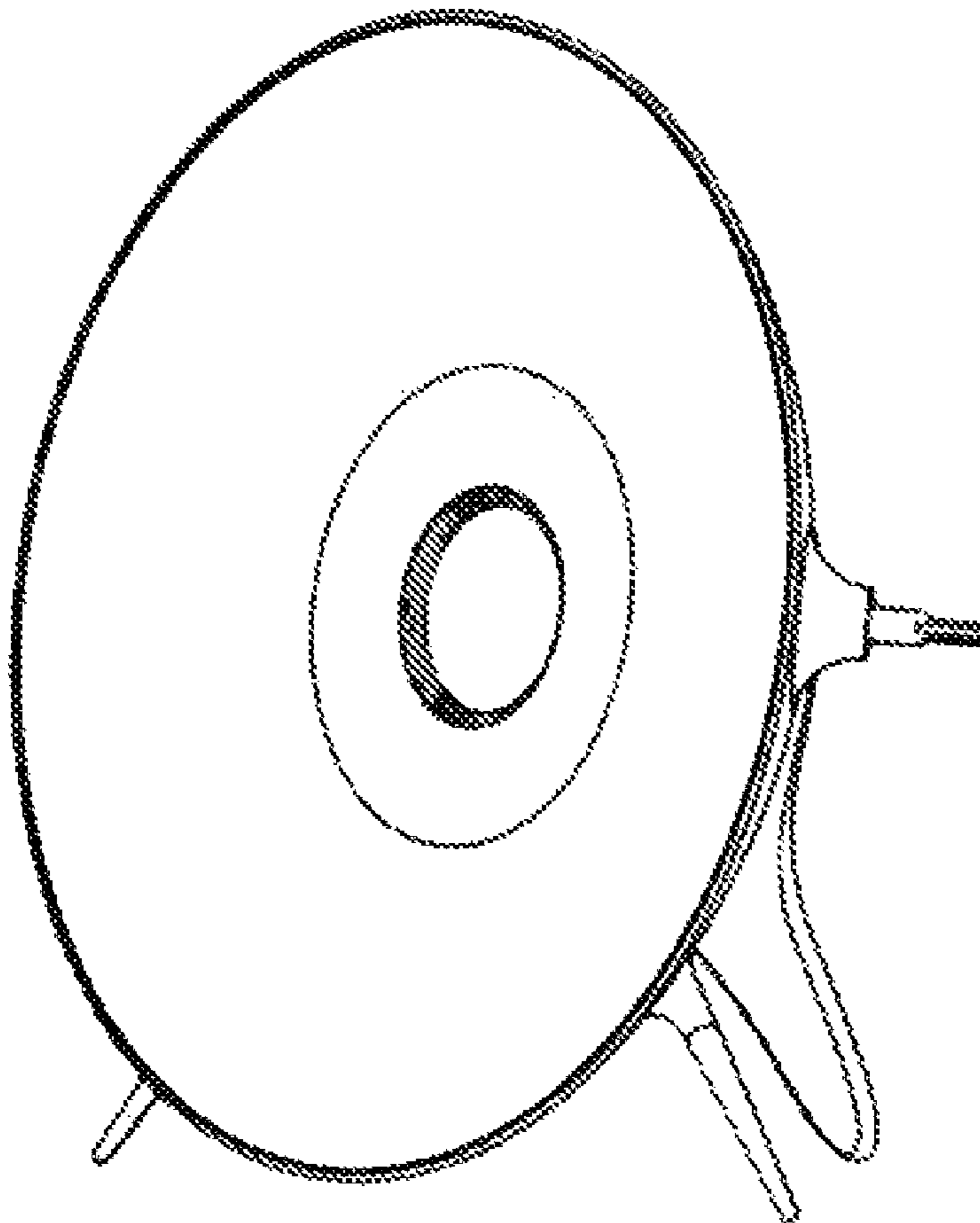
(57) **CLAIM**

The ornamental design for a wake up light, as shown.

DESCRIPTION

FIG. 1 is a perspective view showing my design;
FIG. 2 is a front elevational view thereof;
FIG. 3 is a rear elevational view thereof;
FIG. 4 is a right side elevational view thereof;
FIG. 5 is a left side elevational view thereof;
FIG. 6 is a top plan view thereof; and,
FIG. 7 is a bottom plan view thereof.

1 Claim, 4 Drawing Sheets



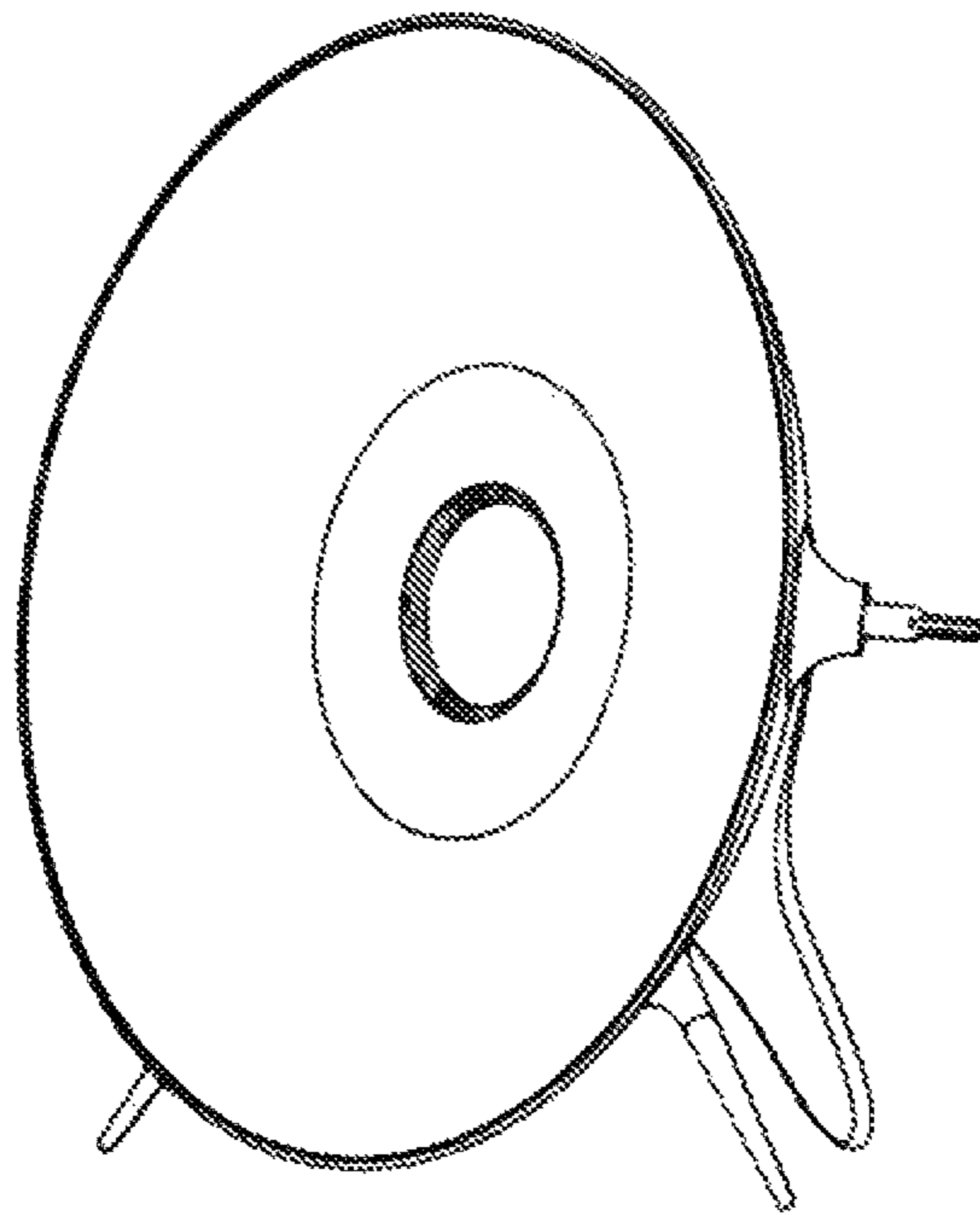


FIG. 1

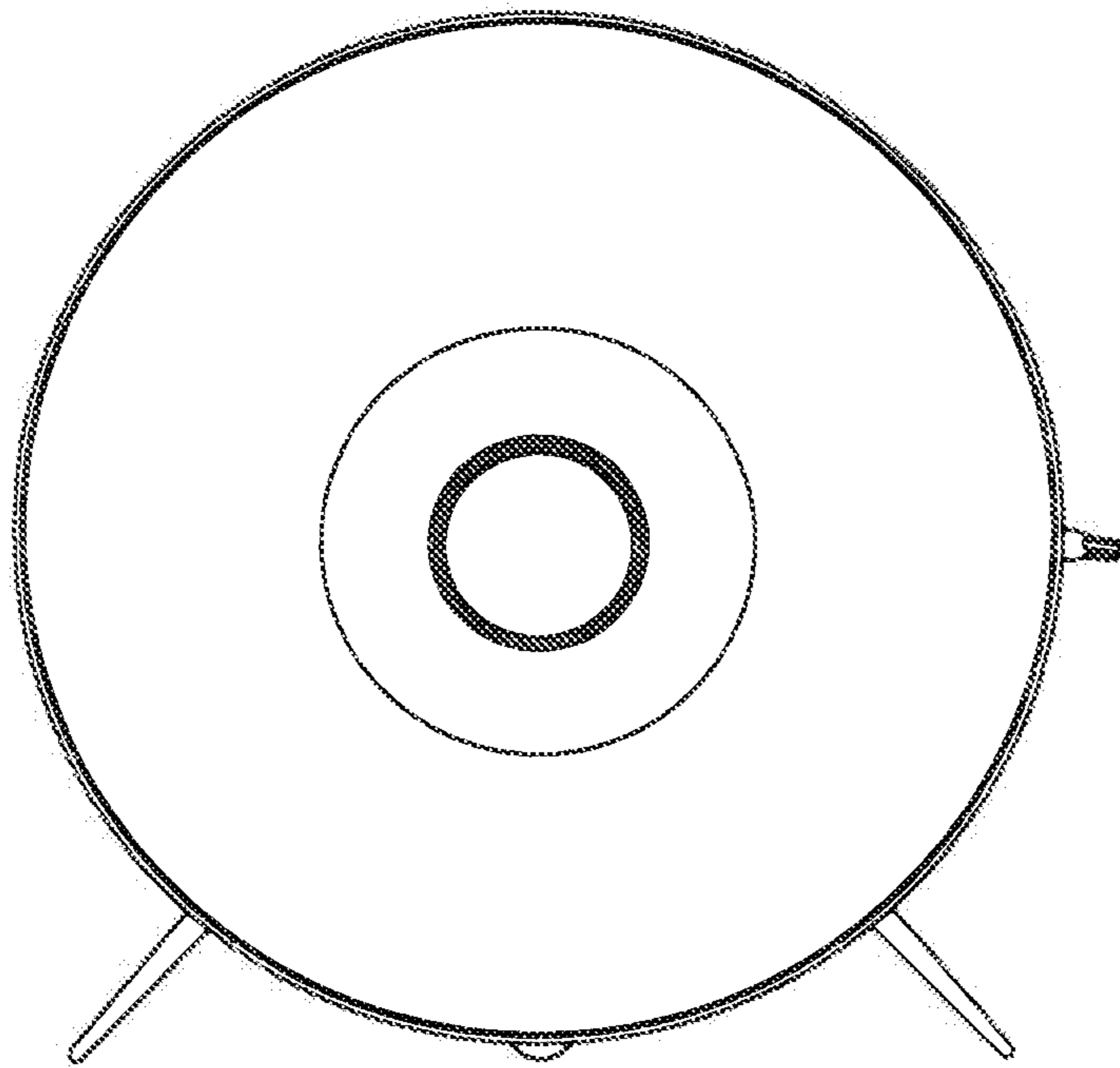


FIG. 2

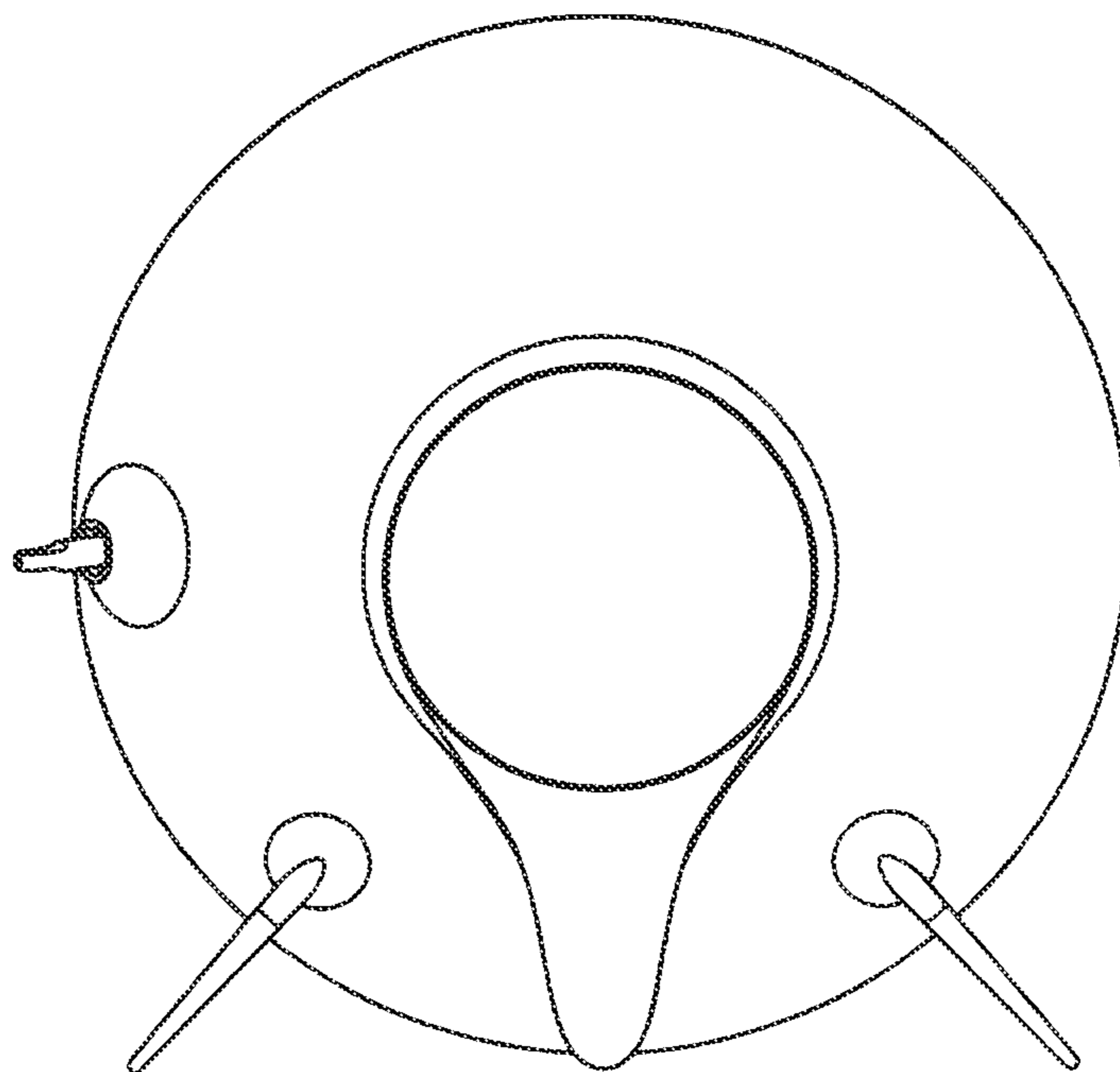


FIG. 3

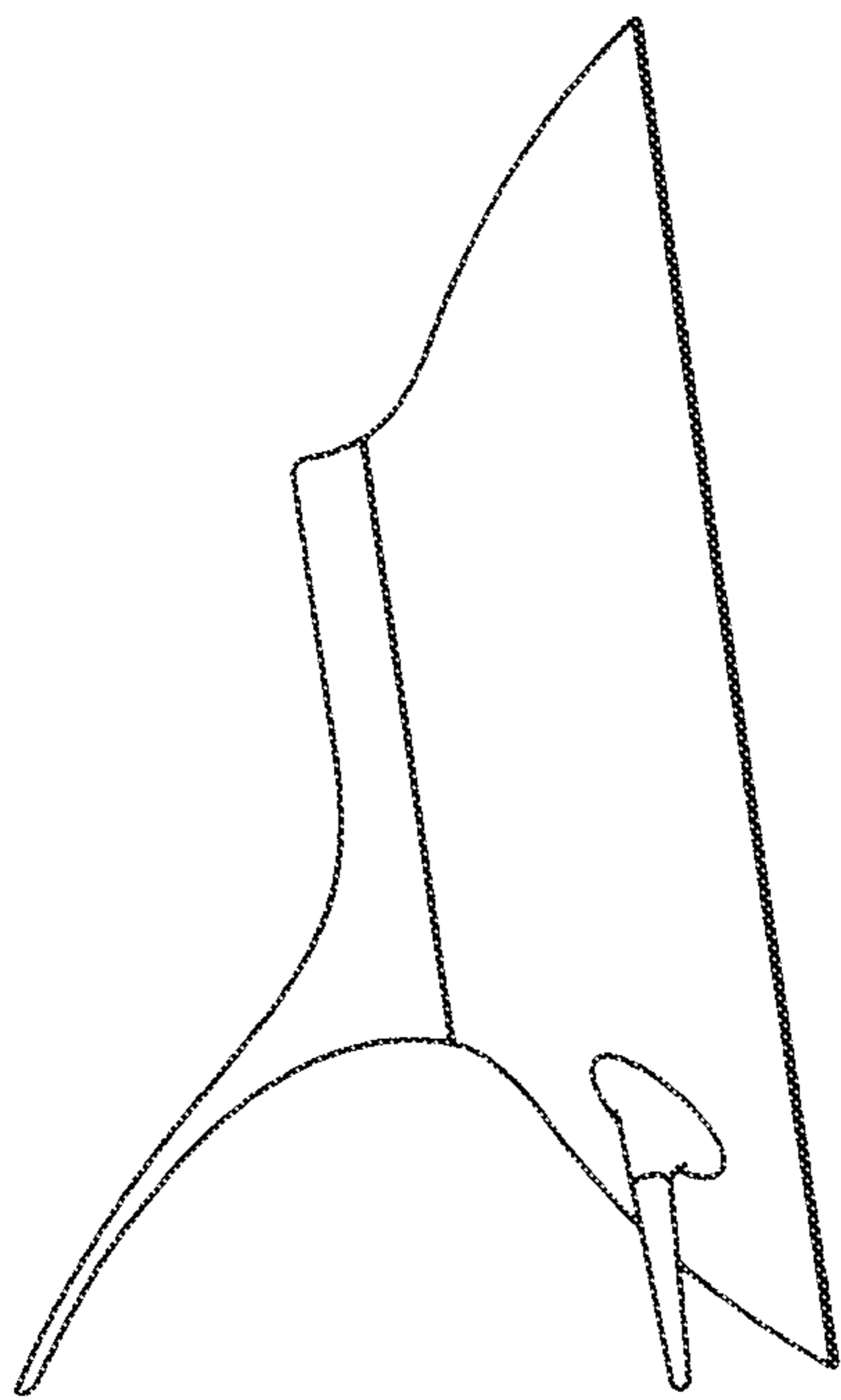


FIG. 4

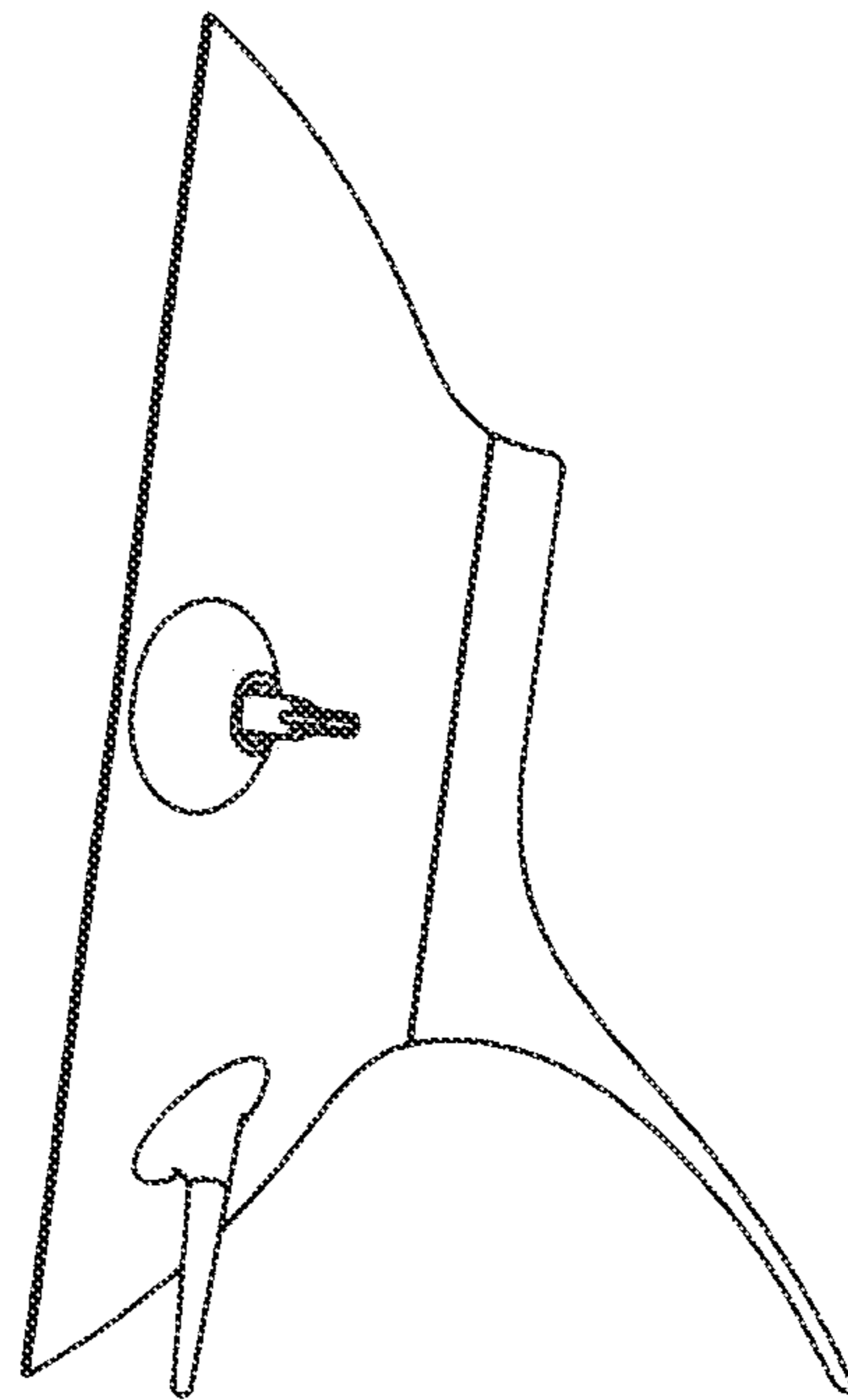


FIG. 5

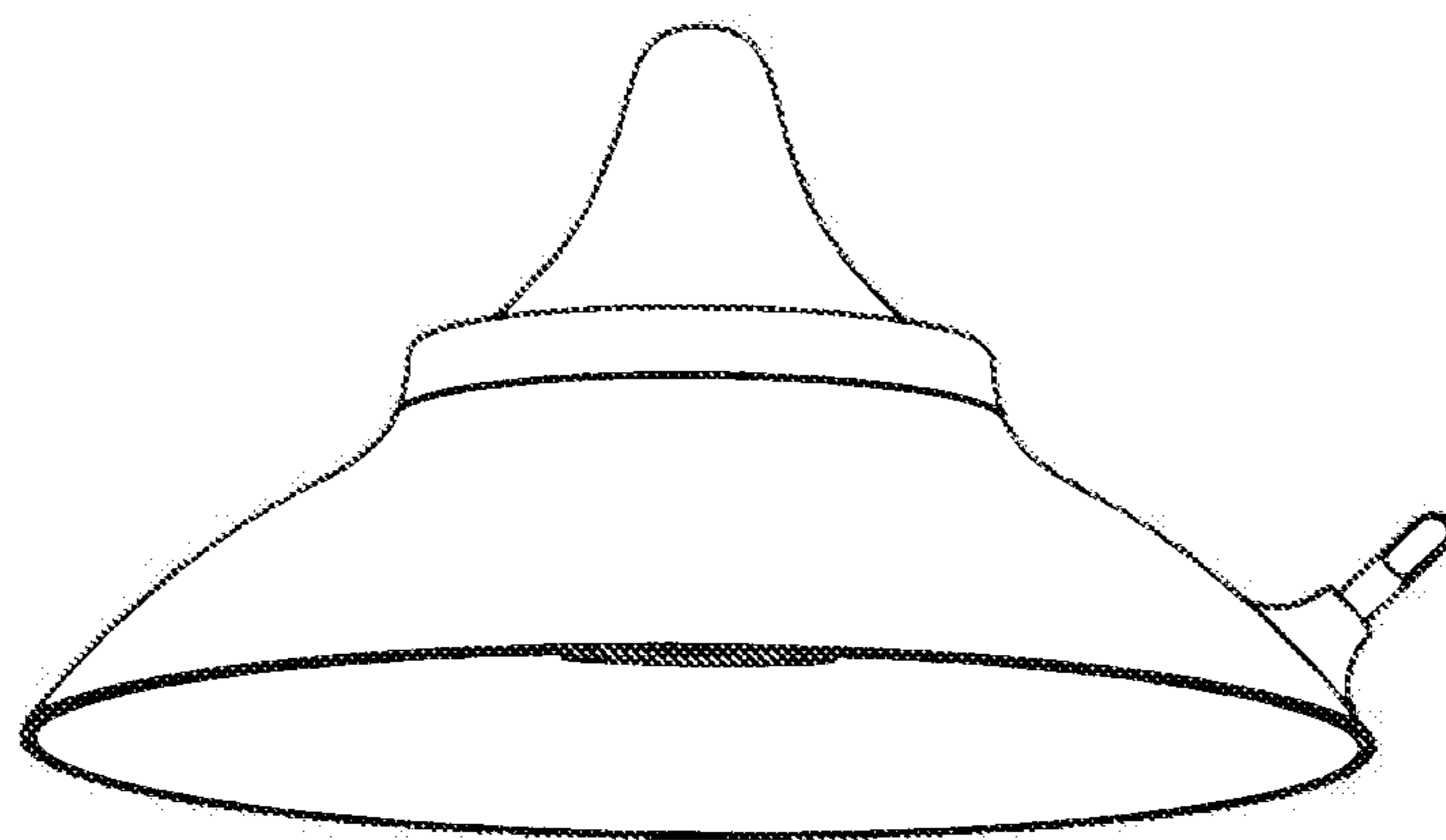


FIG. 6

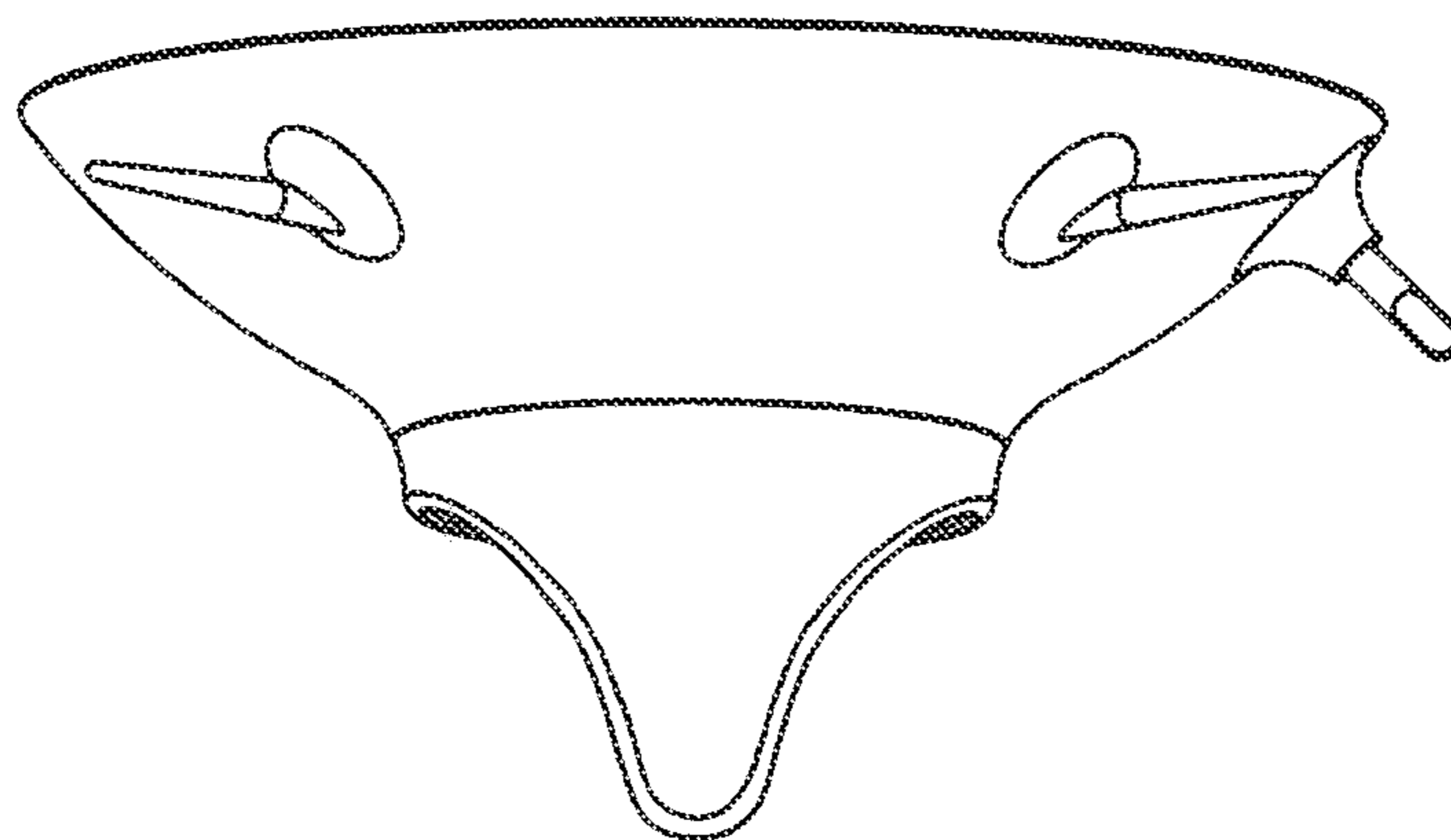


FIG. 7