



US00D685513S

(12) **United States Design Patent**
Salvadori

(10) **Patent No.:** **US D685,513 S**
(45) **Date of Patent:** **** Jul. 2, 2013**

(54) **CHANDELIER**

(71) Applicant: **Emme PI Light-Masiero S.R.L.**, Casale sul Sile (IT)

(72) Inventor: **Alberto Salvadori**, Treviso (IT)

(73) Assignee: **Emme PI Light-Masiero S.R.L.**, Casale sul Sile (IT)

(**) Term: **14 Years**

(21) Appl. No.: **29/436,542**

(22) Filed: **Nov. 7, 2012**

(51) **LOC (9) Cl.** **26-03**

(52) **U.S. Cl.**
USPC **D26/88**

(58) **Field of Classification Search**
USPC D26/81-92, 118, 123, 128, 131,
D26/133, 134, 135; 362/147, 404-408, 431,
362/432

See application file for complete search history.

(56) **References Cited**

U.S. PATENT DOCUMENTS

D37,856 S * 2/1906 Losli D26/91
D80,418 S * 1/1930 Hoch D26/91
D164,782 S * 10/1951 Librizzi D26/2

D179,035 S * 10/1956 Roth D26/128
2,971,082 A * 2/1961 Frank 362/106
3,048,694 A * 8/1962 Faulk 362/605
D293,723 S * 1/1988 Buttner D26/129
D303,720 S * 9/1989 Soley D26/91
D570,526 S * 6/2008 Cenedese D26/88
D598,602 S * 8/2009 Laarman D26/84
D659,885 S * 5/2012 Holder D26/88
D663,884 S * 7/2012 Baylar D26/88
D674,955 S * 1/2013 Sonneman D26/88

* cited by examiner

Primary Examiner — Clare E Heflin

(74) *Attorney, Agent, or Firm* — Themis Law

(57) **CLAIM**

The ornamental design for a chandelier, as shown and described.

DESCRIPTION

FIG. 1 is a bottom plan view of a chandelier showing my new design;

FIG. 2 is a top plan view thereof;

FIG. 3 is a front elevational view thereof;

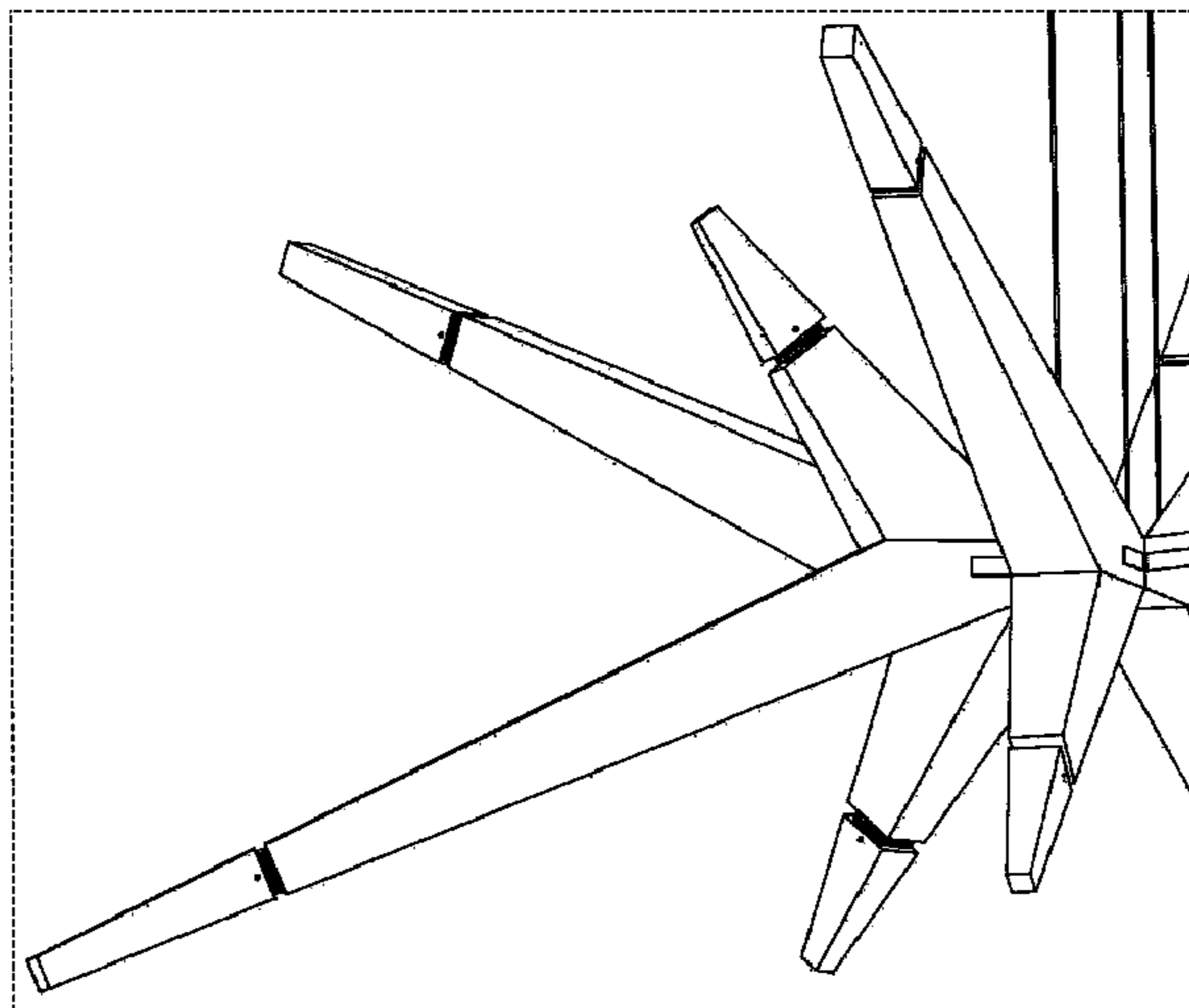
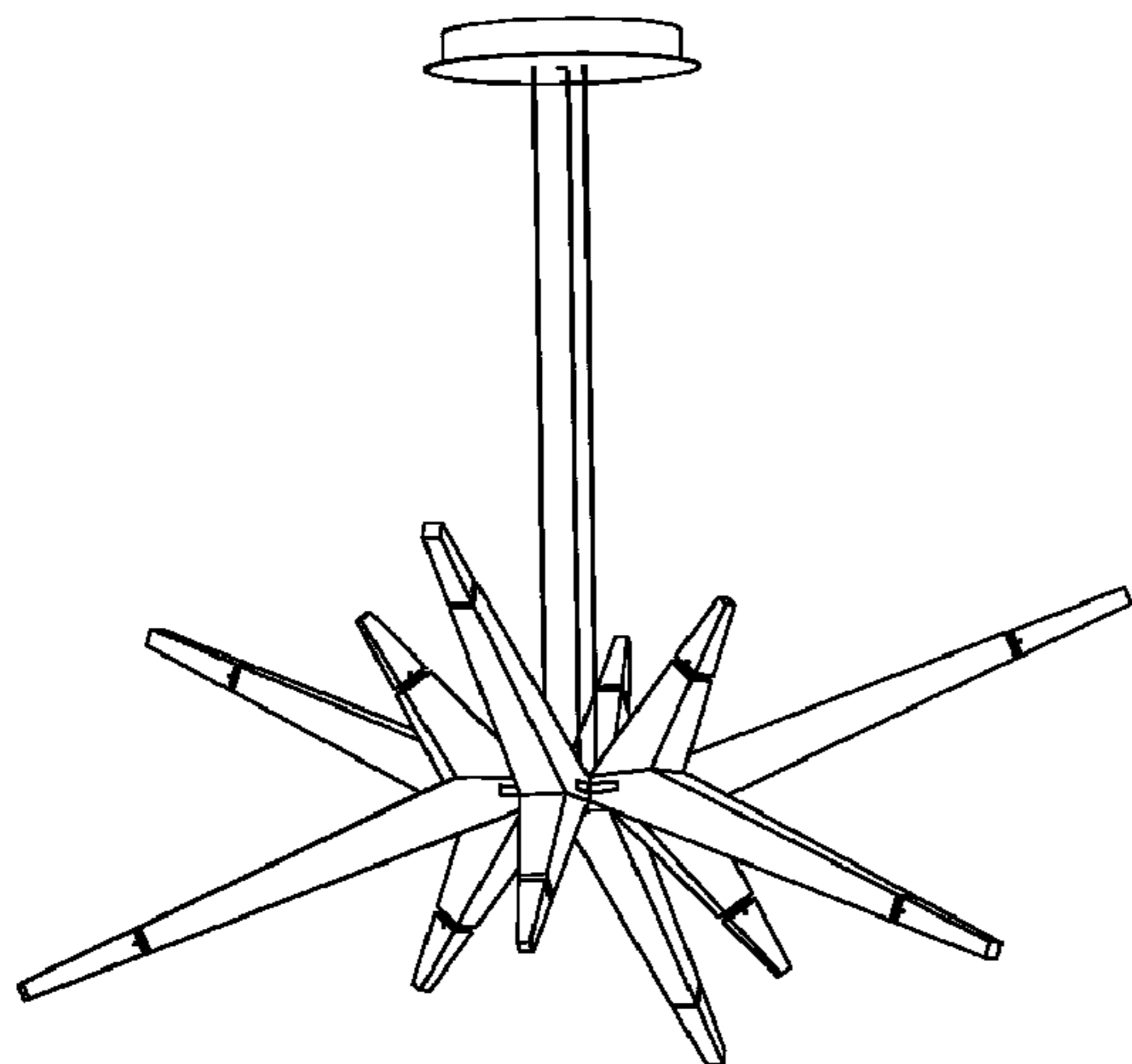
FIG. 4 is a left side elevational view thereof;

FIG. 5 is a perspective view thereof;

FIG. 5A is an enlarged view of the lower left portion of FIG. 5; and,

FIG. 5B is an enlarged view of the lower right portion of FIG. 5.

1 Claim, 7 Drawing Sheets



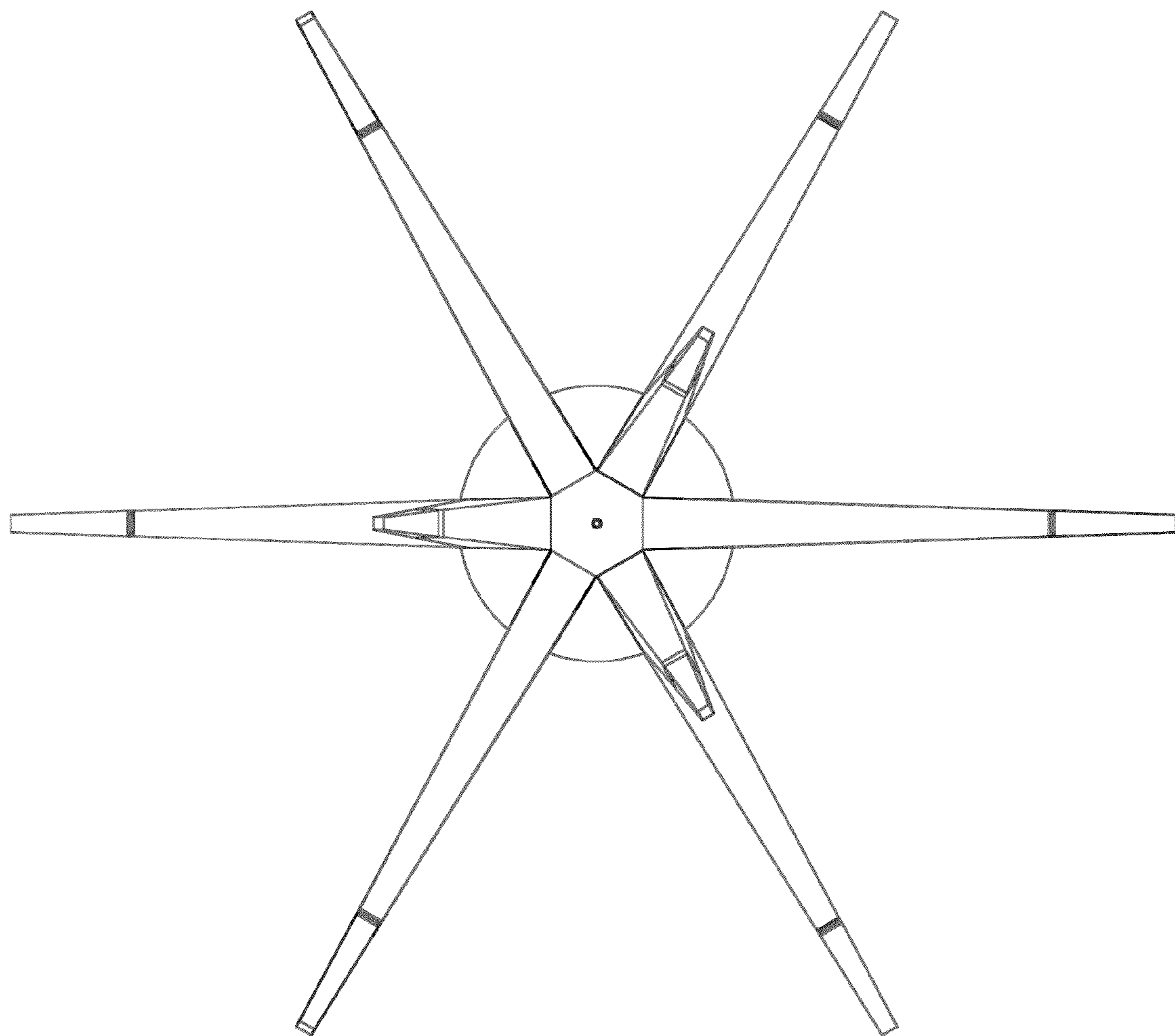


FIG. 1

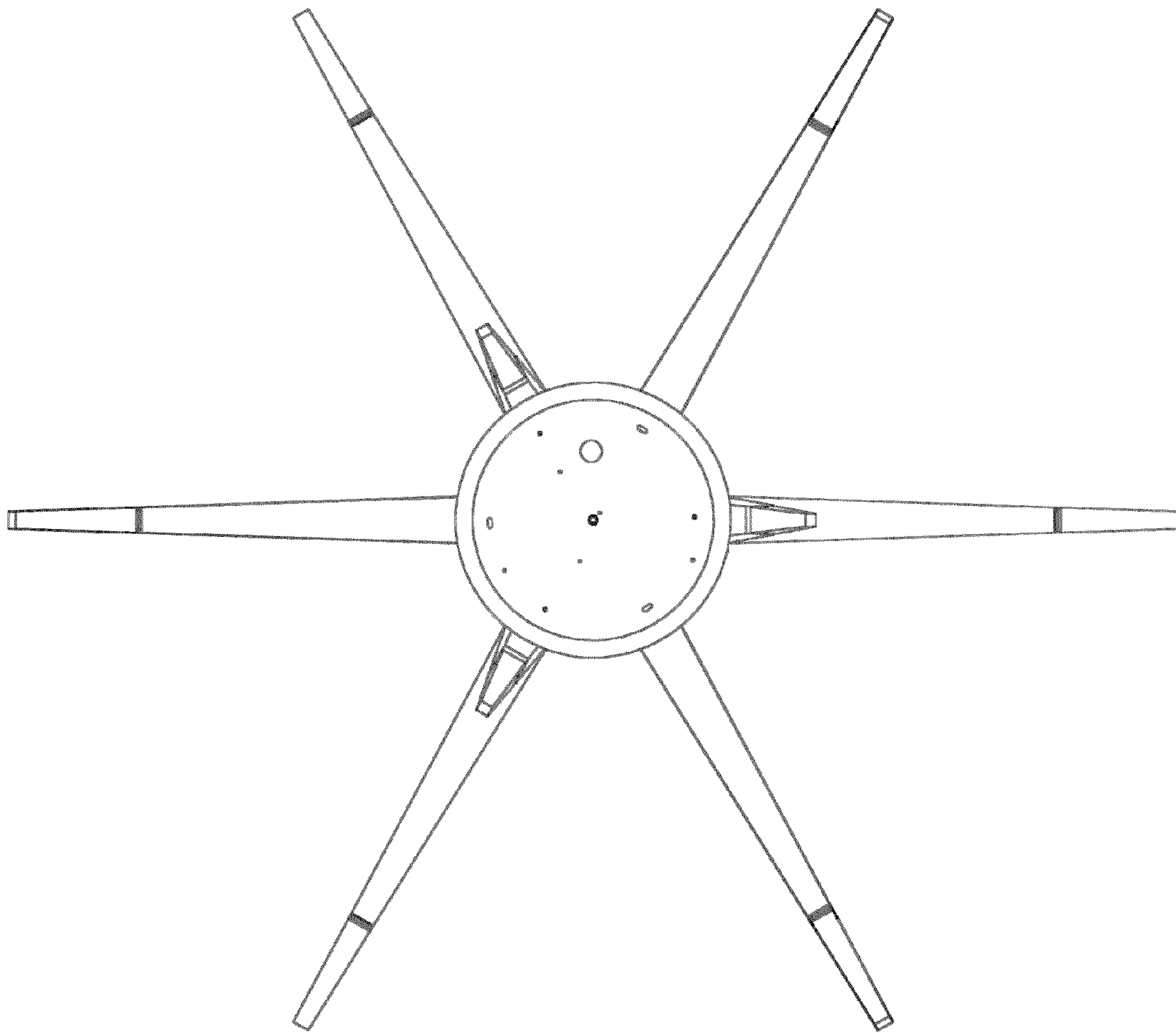


FIG. 2

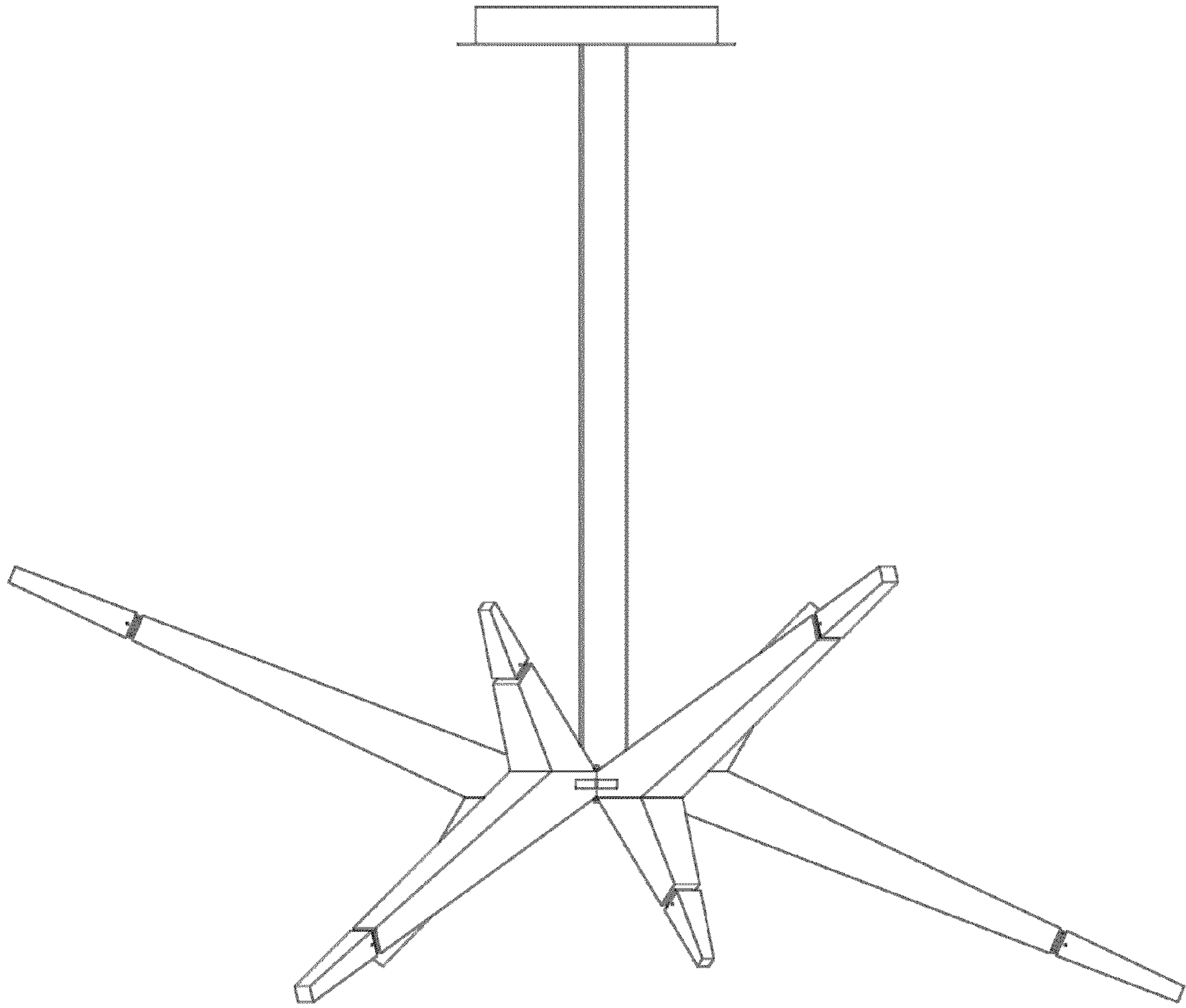


FIG. 3

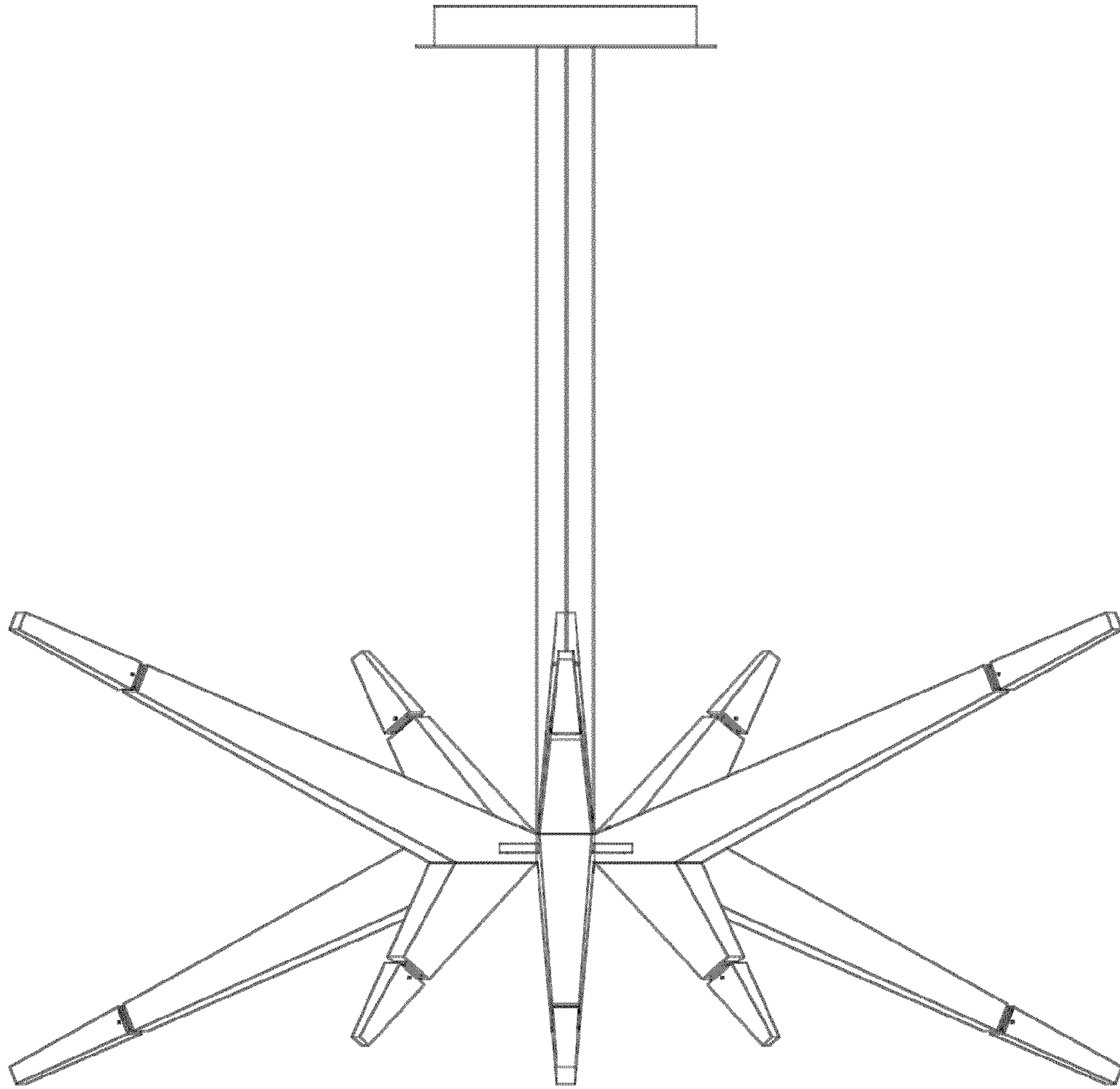


FIG. 4

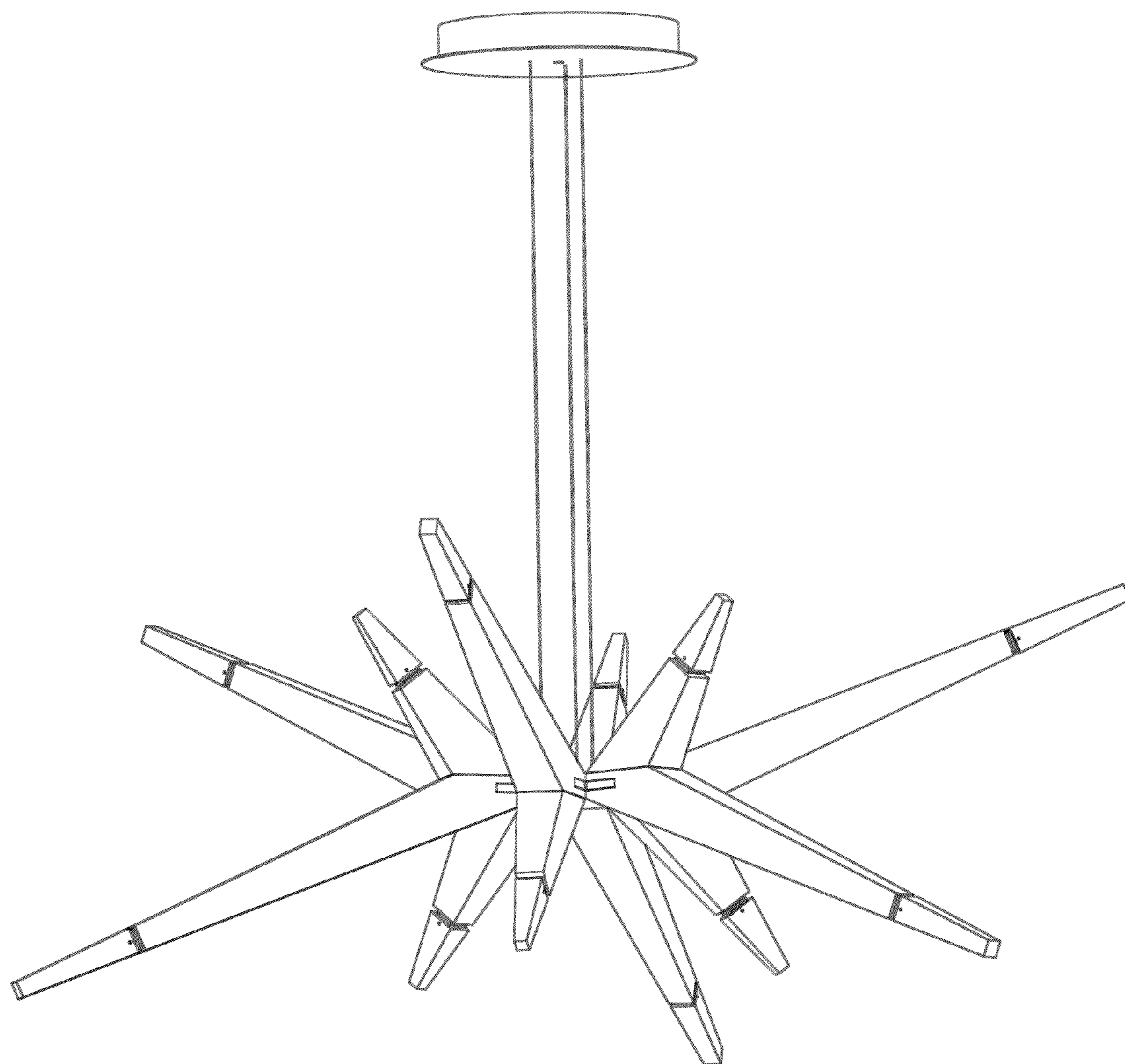


FIG. 5

FIG. 5A

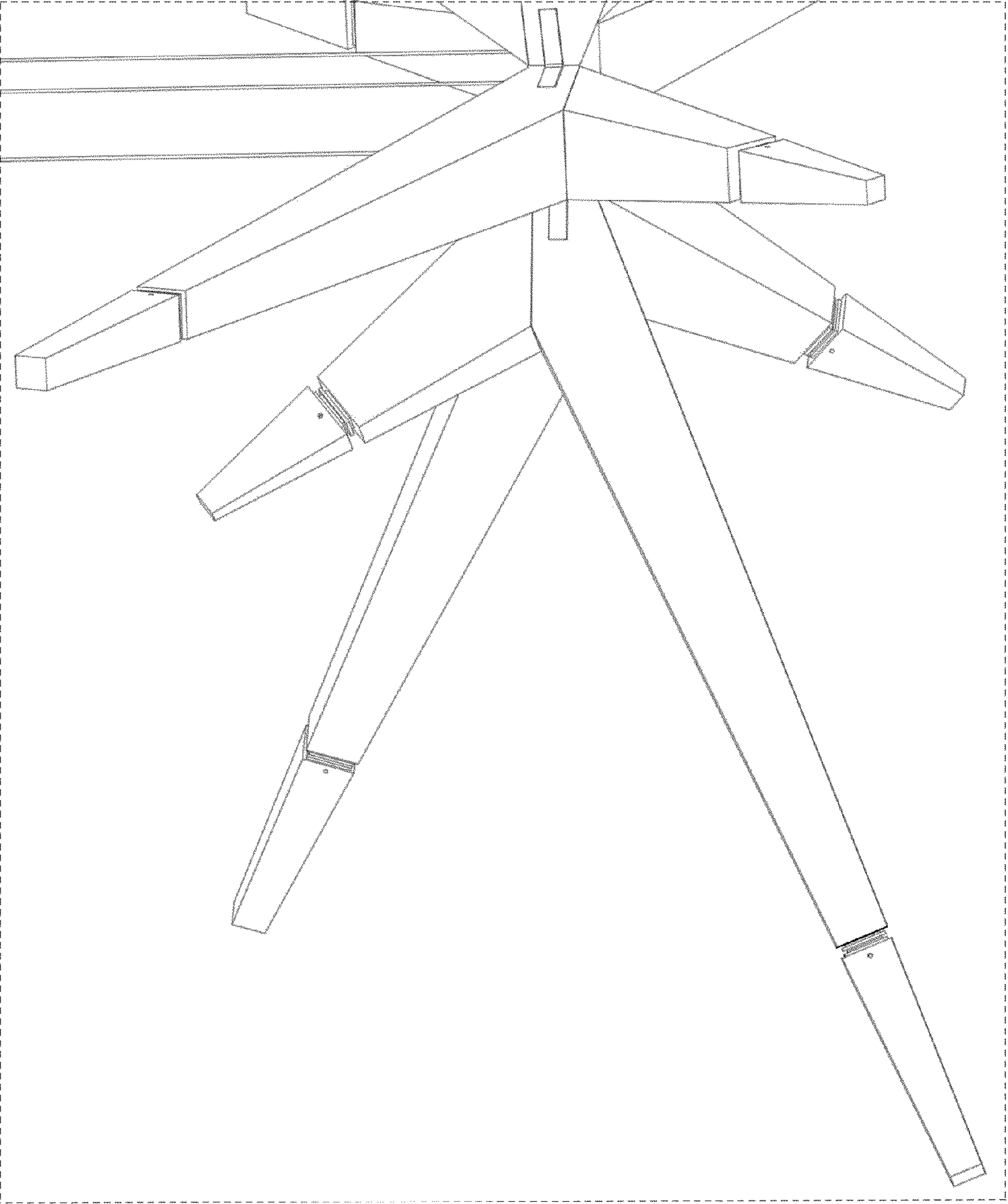


FIG. 5B

