



US00D685512S

(12) **United States Design Patent**  
**Gismondi**

(10) **Patent No.:** **US D685,512 S**  
(45) **Date of Patent:** **\*\* Jul. 2, 2013**

(54) **LAMP**

(75) Inventor: **Ernesto Gismondi**, Milan (IT)

(73) Assignee: **Artemide S.p.A.**, Milan (IT)

(\*\*) Term: **14 Years**

(21) Appl. No.: **29/404,181**

(22) Filed: **Oct. 17, 2011**

(30) **Foreign Application Priority Data**

Apr. 15, 2011	(EM)	1271258-0001
Apr. 15, 2011	(EM)	1271258-0002
Apr. 15, 2011	(EM)	1271258-0003
Apr. 15, 2011	(EM)	1271258-0004
Apr. 15, 2011	(EM)	1271258-0005

(51) **LOC (9) Cl.** ..... **26-05**

(52) **U.S. Cl.**  
USPC ..... **D26/71; D26/68**

(58) **Field of Classification Search**  
USPC ..... D26/67-72, 85; 362/183, 431, 152-153.1  
See application file for complete search history.

(56) **References Cited**

U.S. PATENT DOCUMENTS

D236,653 S *	9/1975	Stewart	D26/68
D299,554 S *	1/1989	Muller	D26/69
D301,756 S *	6/1989	Hanson	D26/68
D301,757 S *	6/1989	Hanson	D26/68
D314,833 S *	2/1991	Beachy et al.	D26/68
D362,534 S *	9/1995	Gensburg	D99/43
D418,619 S *	1/2000	Porter	D26/68
D571,495 S *	6/2008	Berns et al.	D26/68
D588,738 S *	3/2009	Goetz-Schaefer	D26/68
D597,694 S *	8/2009	Dworschak	D26/68
D597,698 S *	8/2009	Lee	D26/68
D598,153 S *	8/2009	Zeng et al.	D26/68
D600,847 S *	9/2009	Wung et al.	D26/71
D600,848 S *	9/2009	Wung et al.	D26/71

D601,738 S *	10/2009	Schneider	D26/71
D608,486 S *	1/2010	Chien	D26/71
D630,787 S *	1/2011	Pan	D26/68
D643,139 S *	8/2011	Sprengers	D26/68
D653,371 S *	1/2012	Compton	D26/68
D655,844 S *	3/2012	Sabernig	D26/63

\* cited by examiner

*Primary Examiner* — Clare E Heflin

(74) *Attorney, Agent, or Firm* — Venable LLP; Robert Kinberg

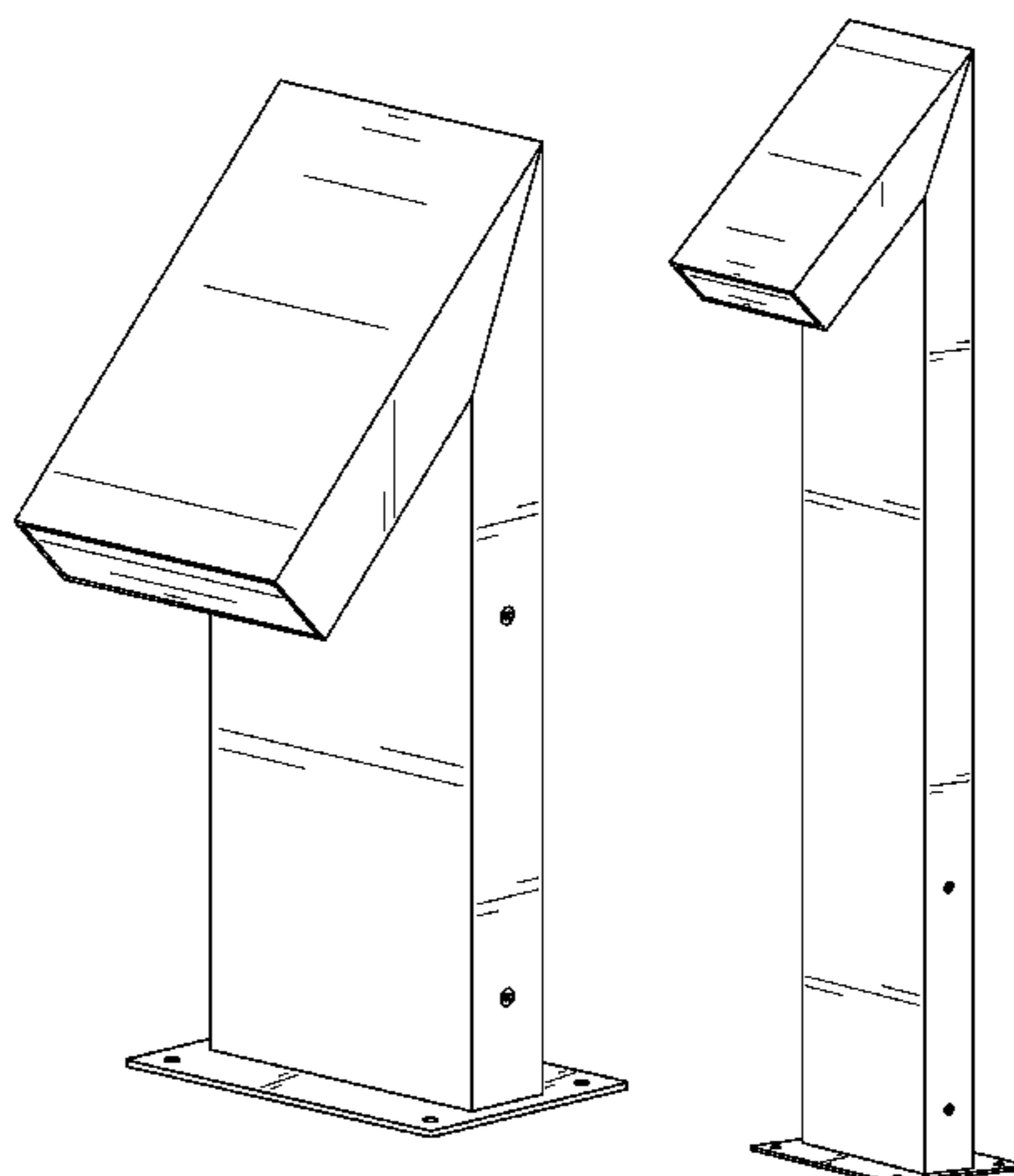
(57) **CLAIM**

The ornamental design for a lamp, as shown and described.

**DESCRIPTION**

FIG. 1 is a top side perspective view of a lamp according to a first embodiment of the present invention;  
 FIG. 2 is a bottom view of the lamp according to the first embodiment of the present invention;  
 FIG. 3 is a rear view of the lamp according to the first embodiment of the present invention;  
 FIG. 4 is a right side view of the lamp according to the first embodiment of the present invention;  
 FIG. 5 is a front view of the lamp according to the first embodiment of the present invention;  
 FIG. 6 is a left side view of the lamp according to the first embodiment of the present invention;  
 FIG. 7 is a top view of the lamp according to the first embodiment of the present invention;  
 FIG. 8 is a front side perspective view of a lamp according to a second embodiment of the present invention;  
 FIG. 9 is a left side view of the lamp according to the second embodiment of the present invention;  
 FIG. 10 is a front view of the lamp according to the second embodiment of the present invention;  
 FIG. 11 is a right side view of the lamp according to the second embodiment of the present invention;  
 FIG. 12 is a rear view of the lamp according to the second embodiment of the present invention;  
 FIG. 13 is a top view of the lamp according to the second embodiment of the present invention; and,  
 FIG. 14 is a bottom view of the lamp according to the second embodiment of the present invention.

**1 Claim, 11 Drawing Sheets**



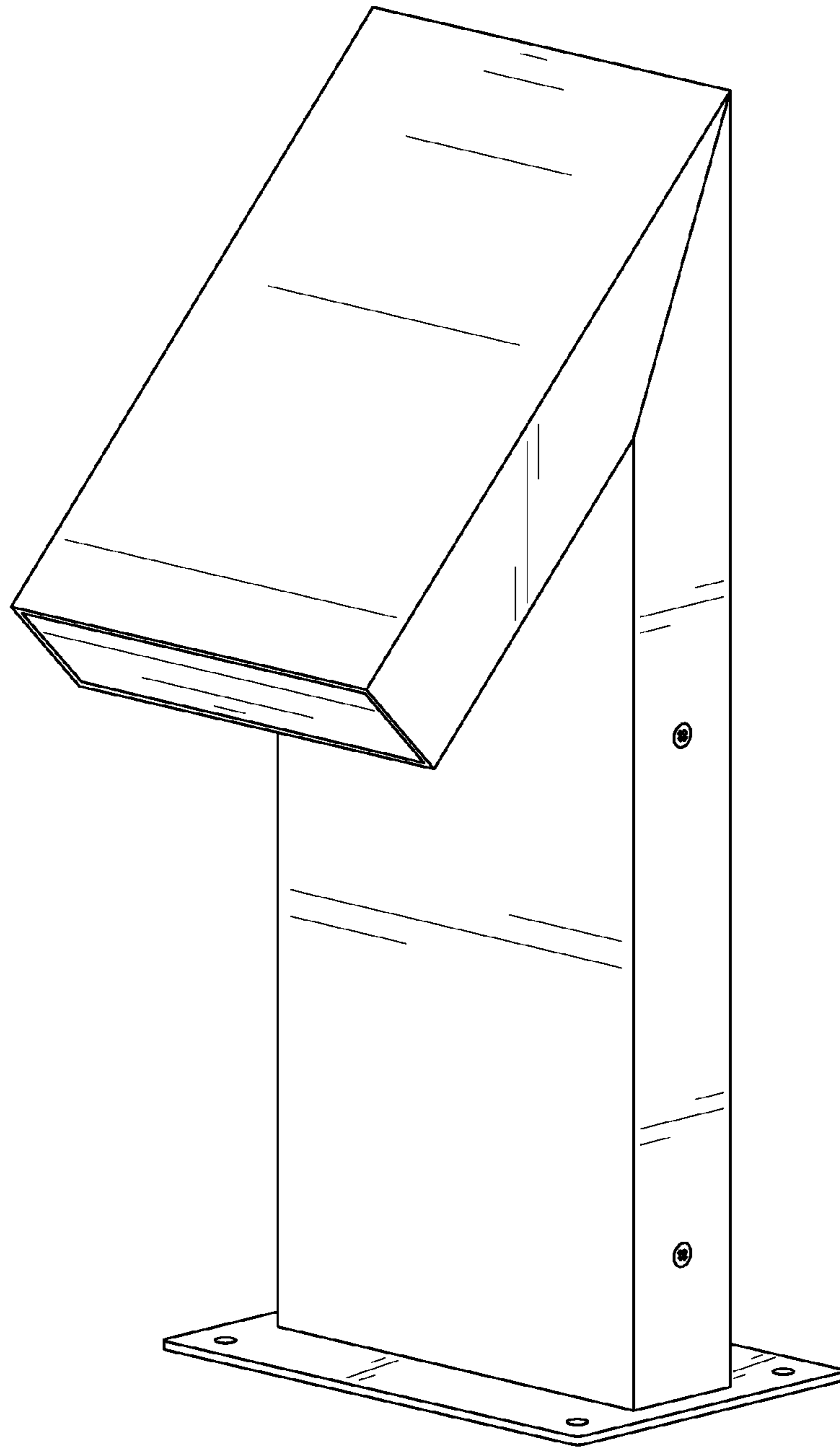


FIG. 1

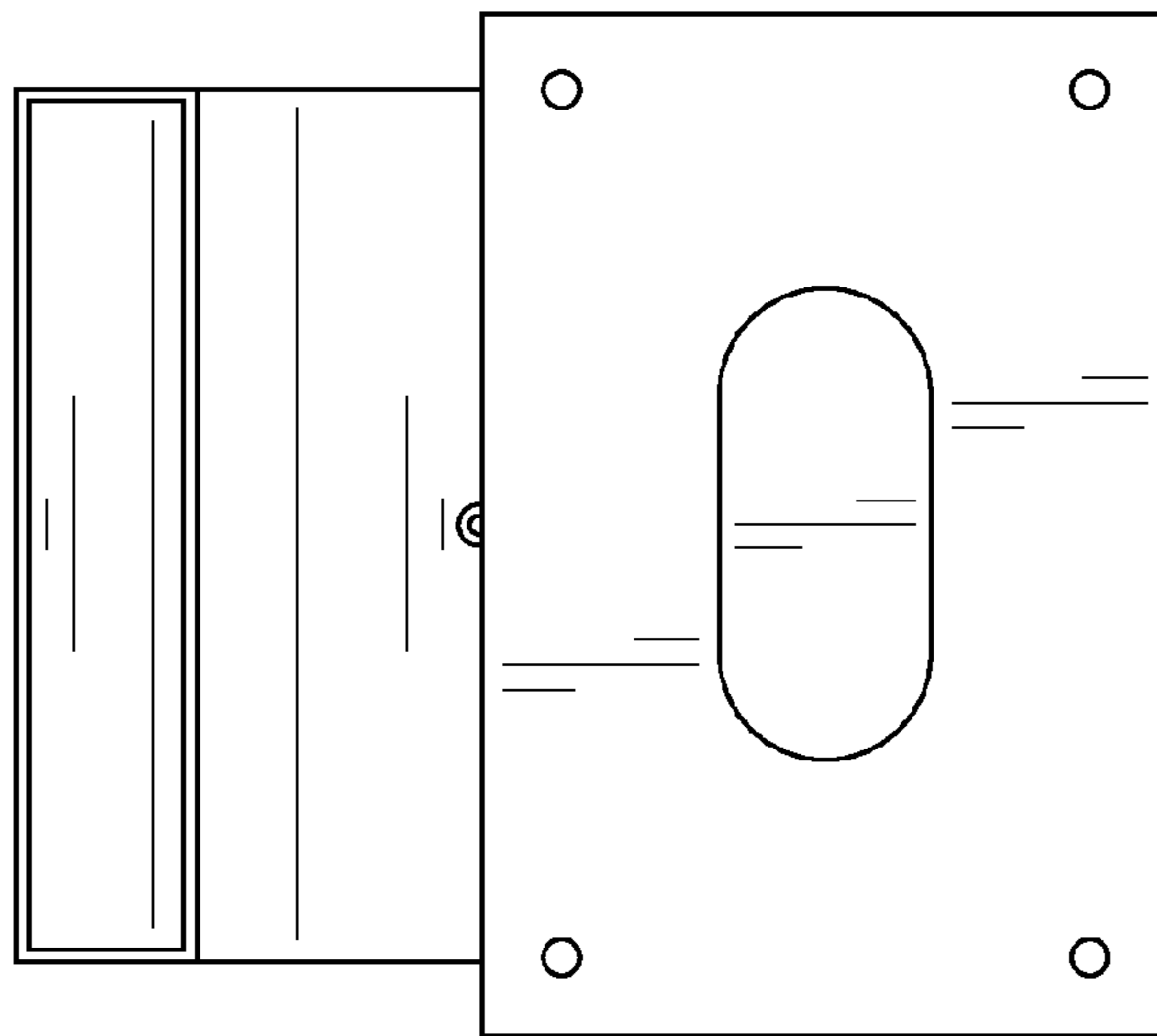


FIG. 2

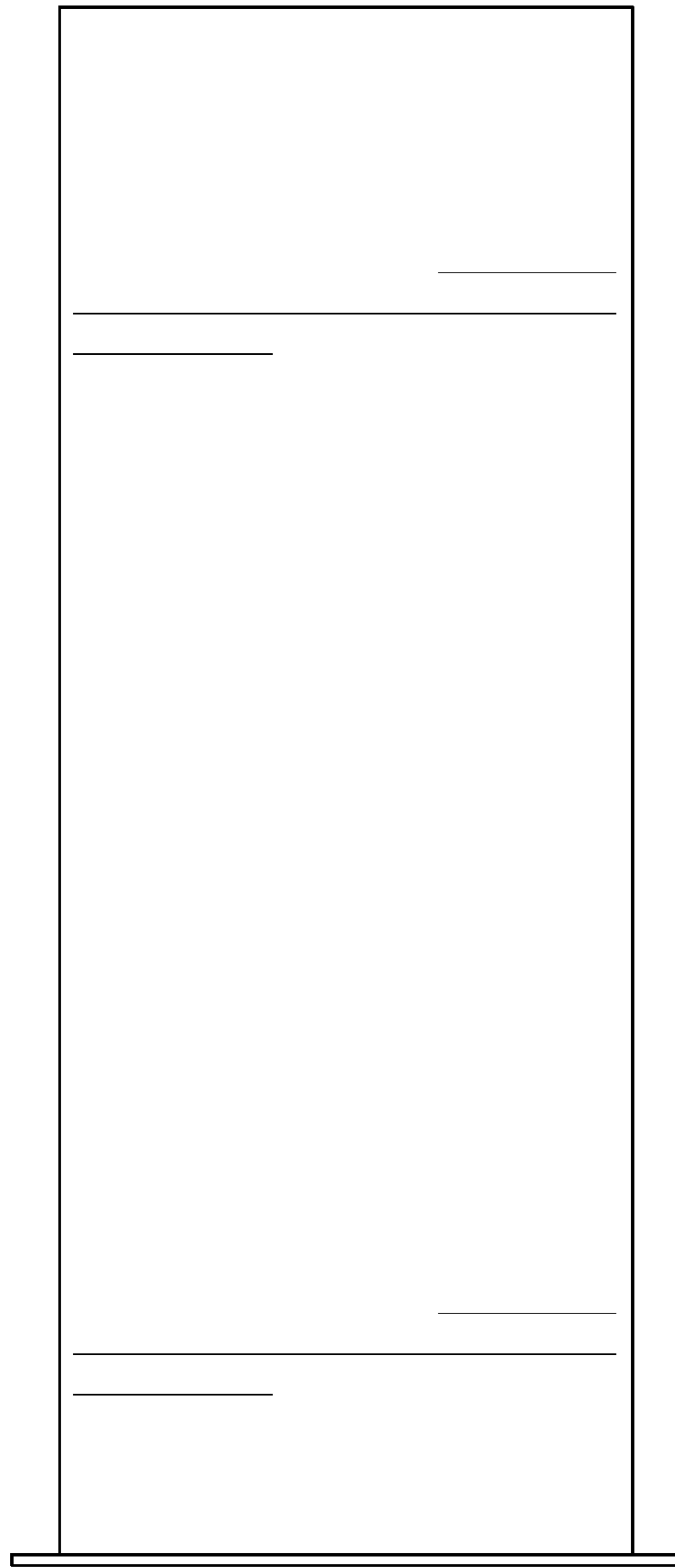


FIG. 3

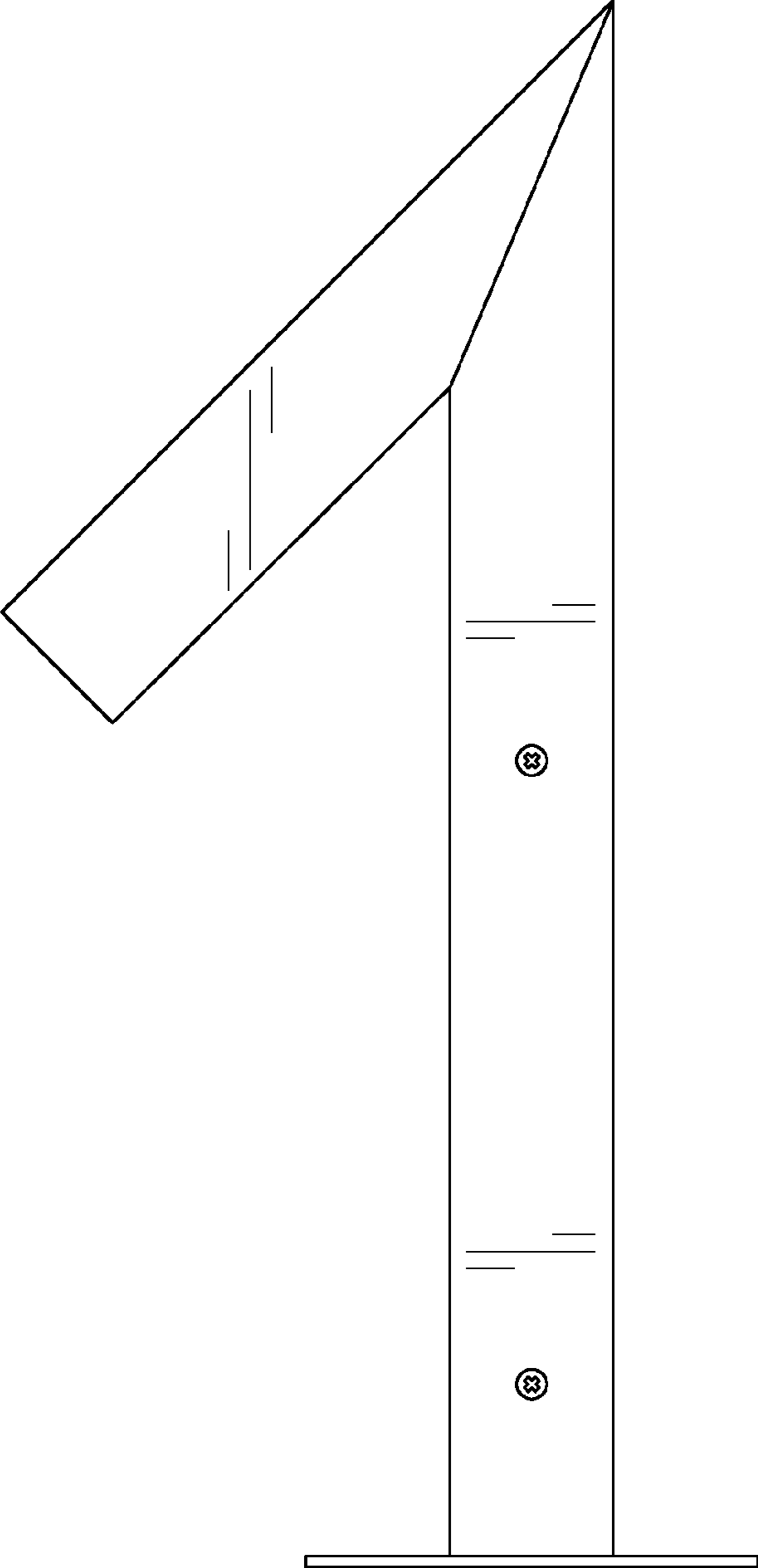


FIG. 4

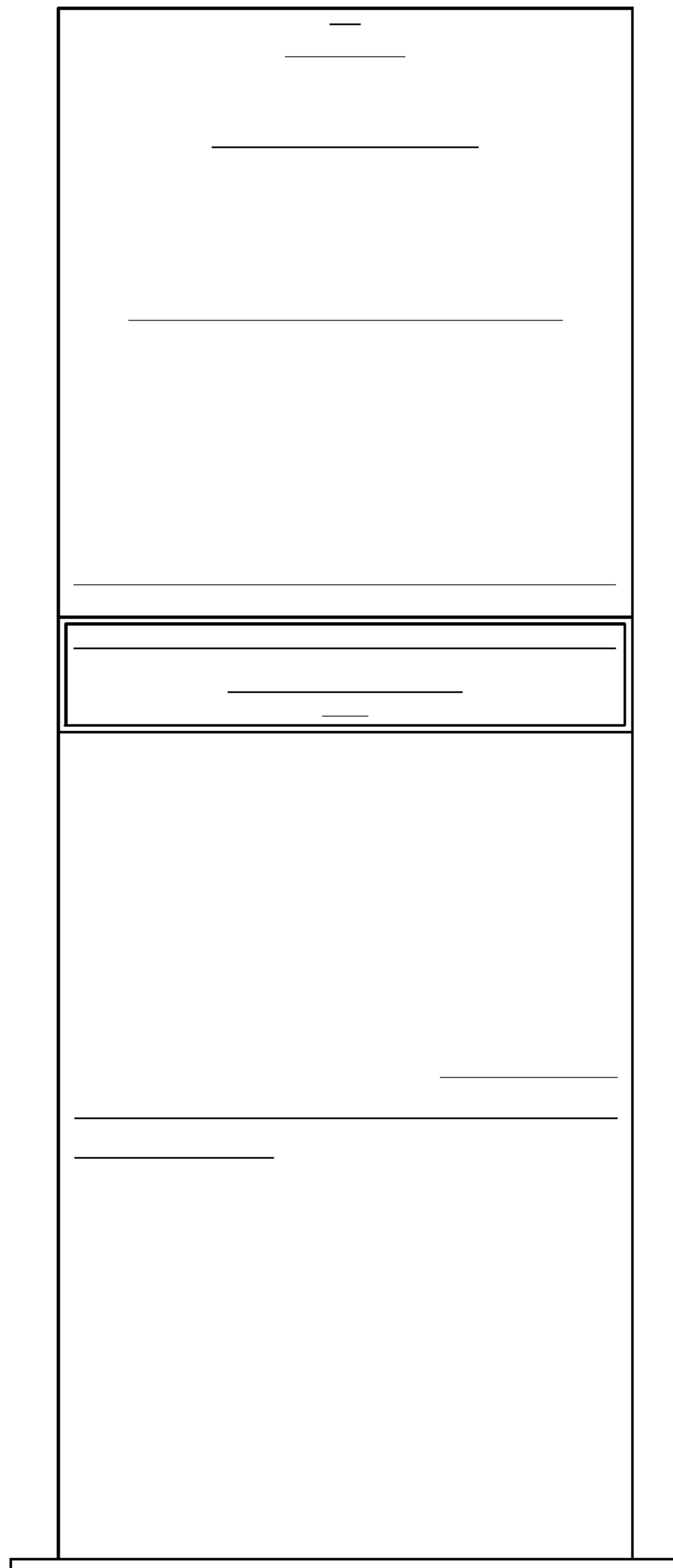


FIG. 5

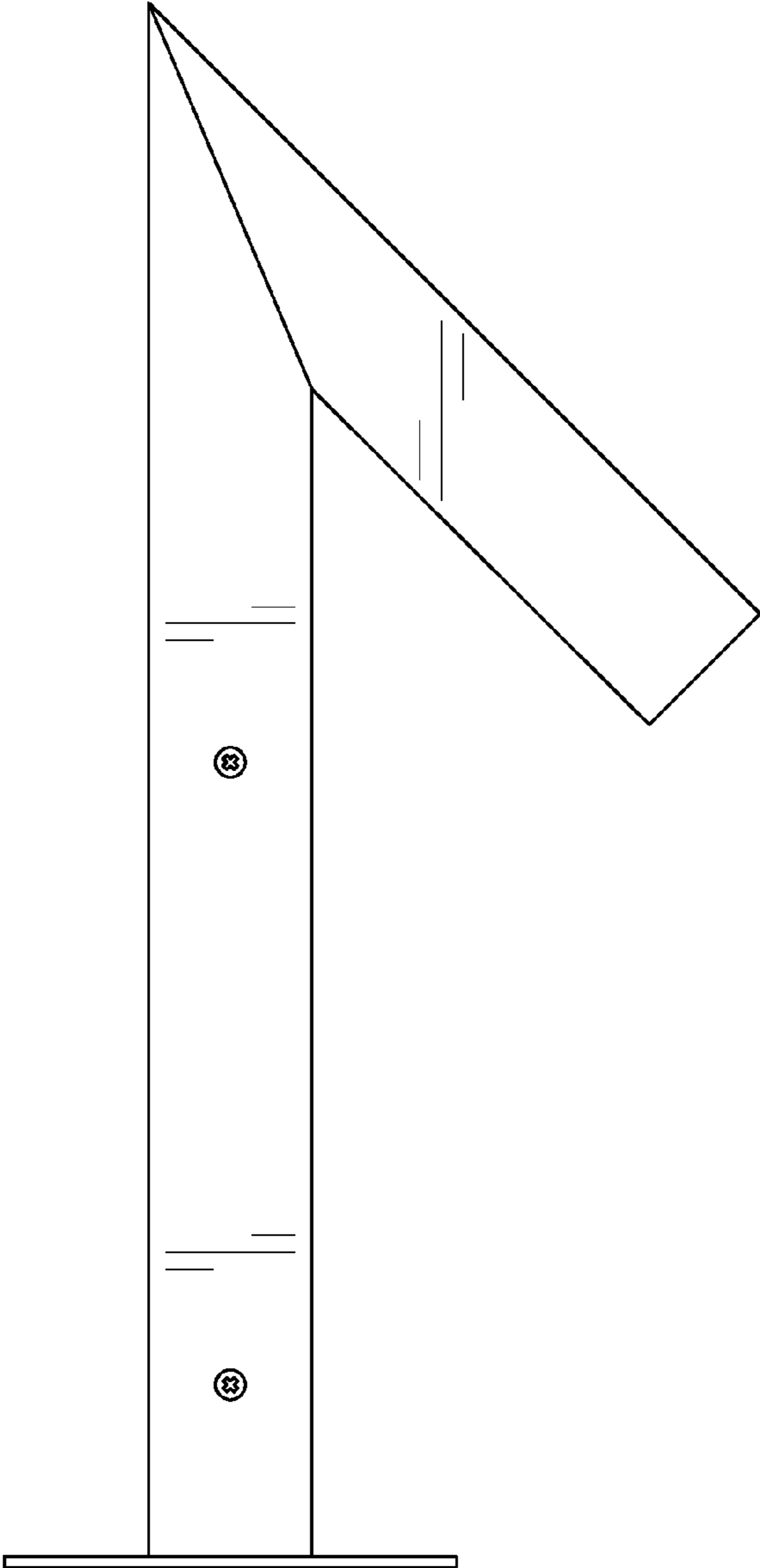


FIG. 6

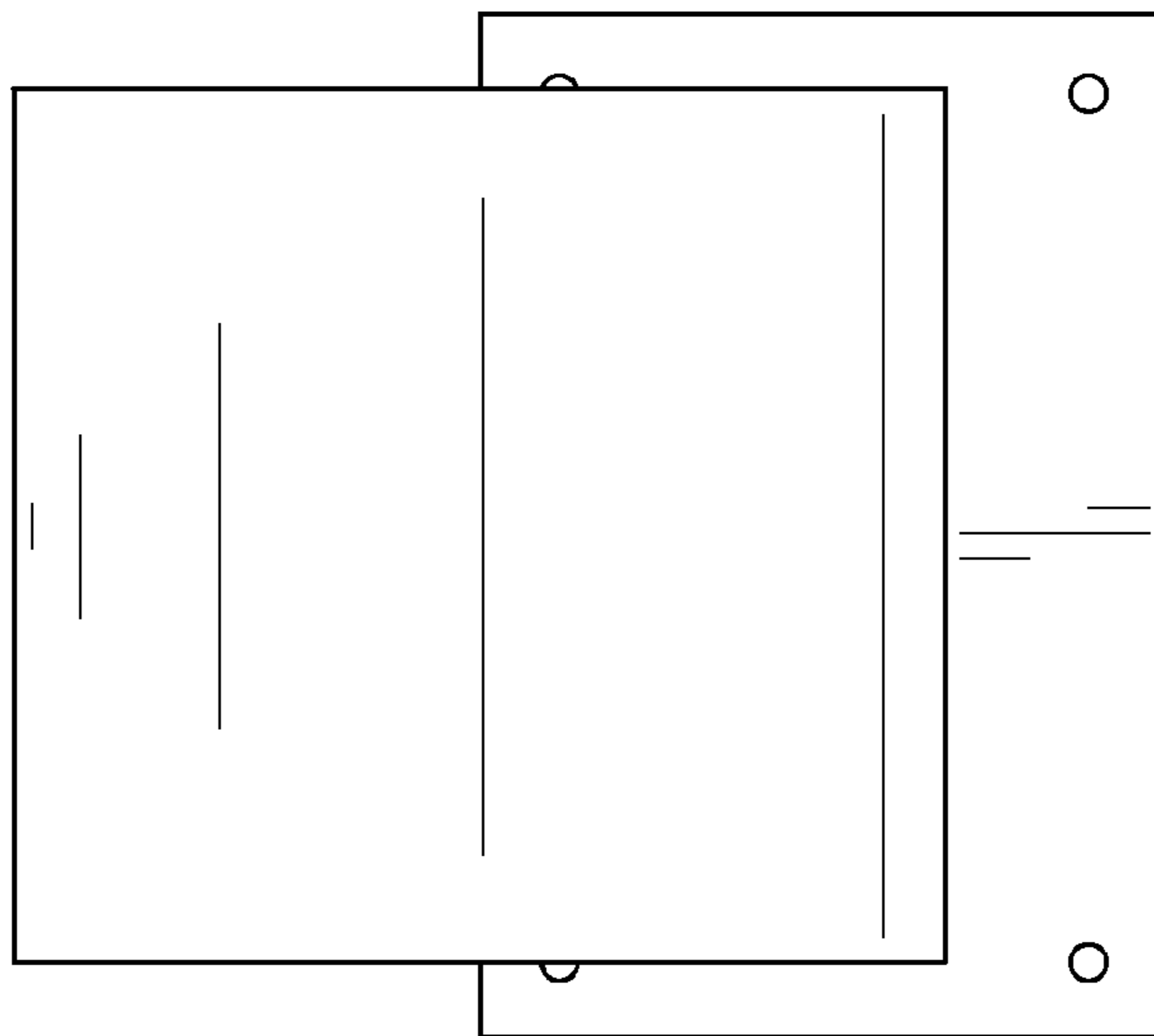


FIG. 7



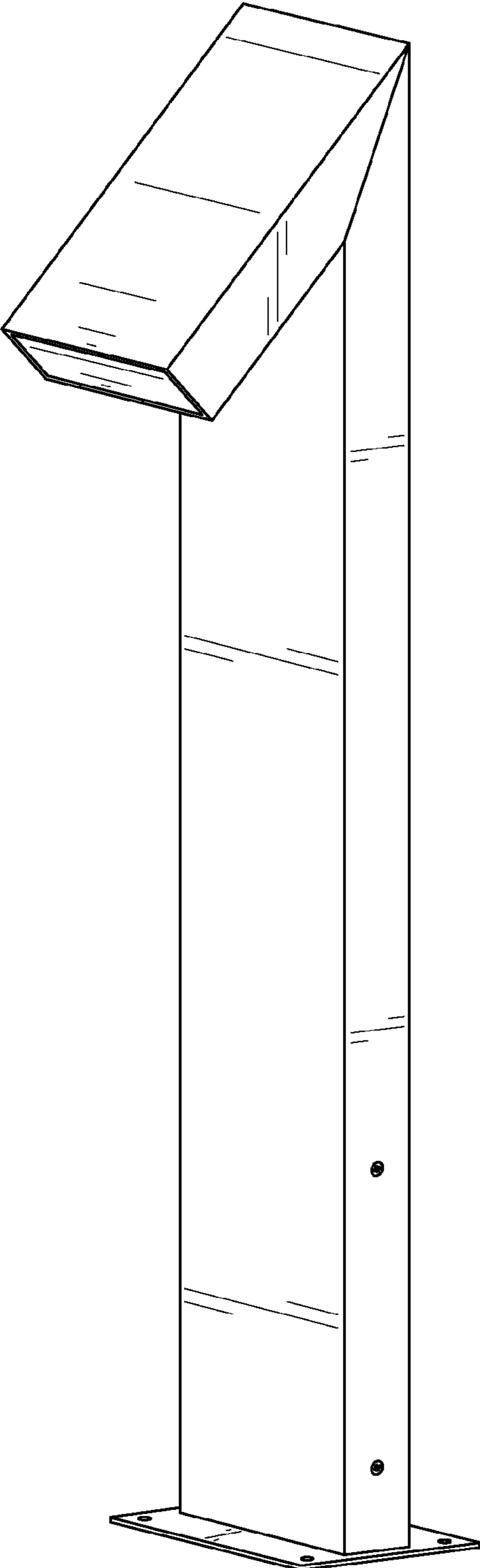


FIG. 8

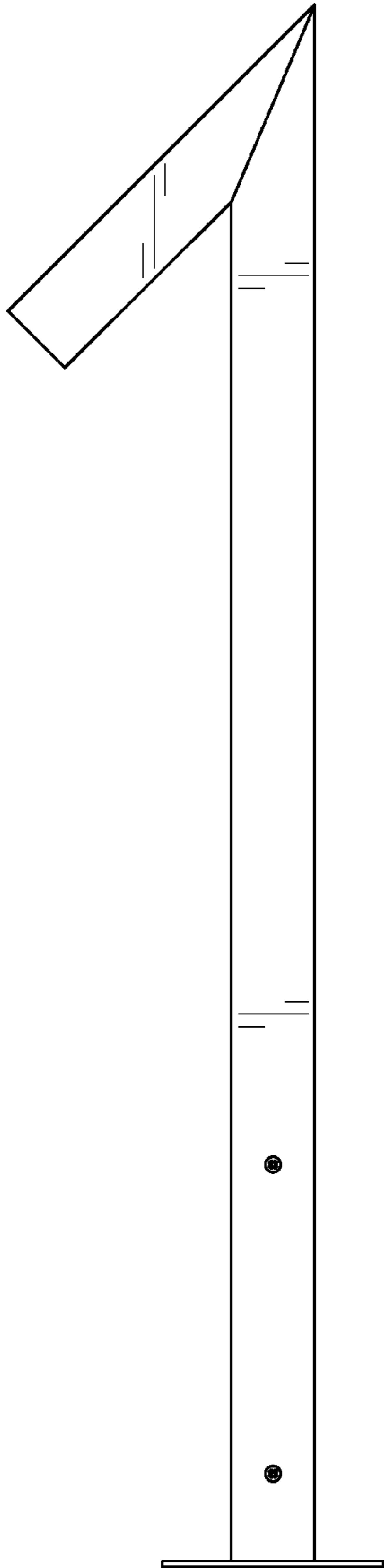


FIG. 9

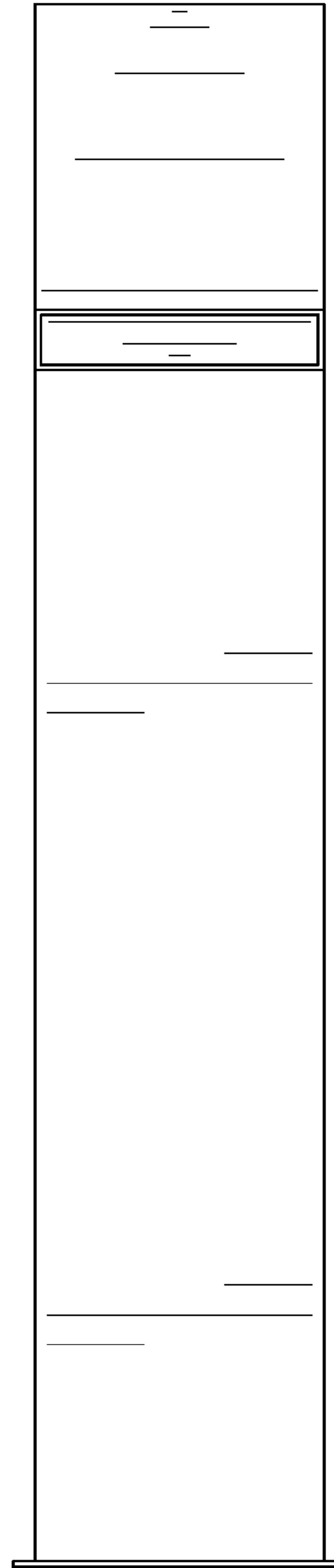


FIG. 10

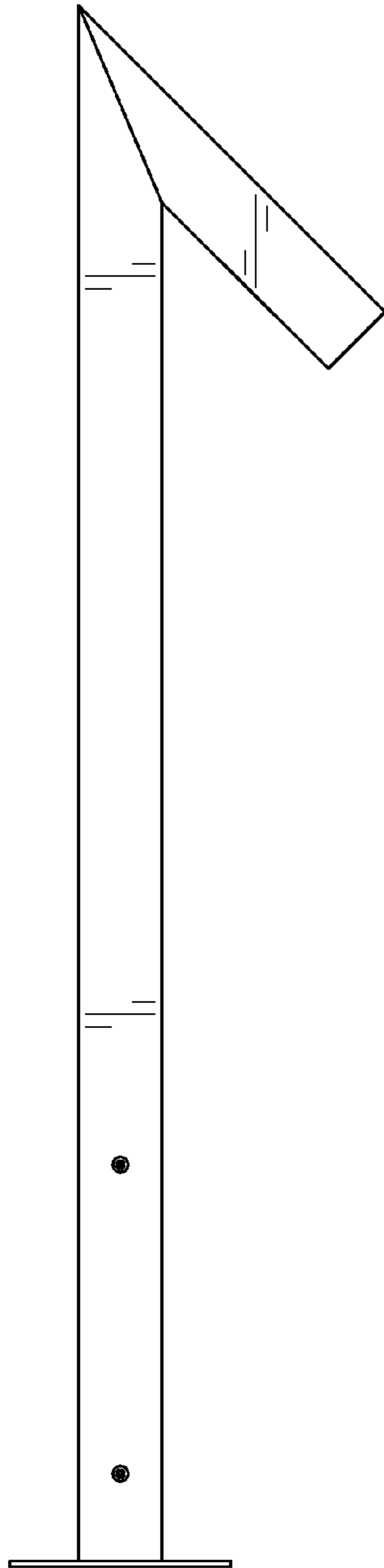


FIG. 11

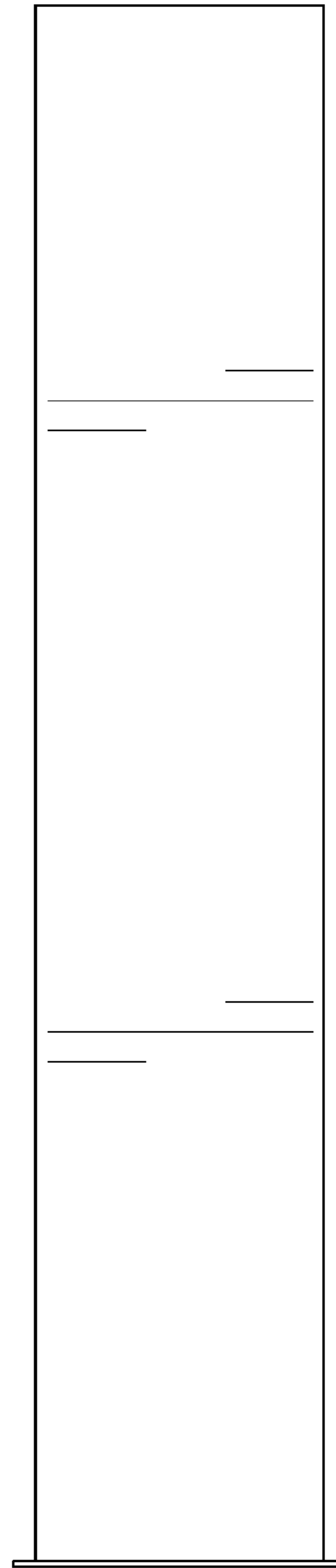


FIG. 12

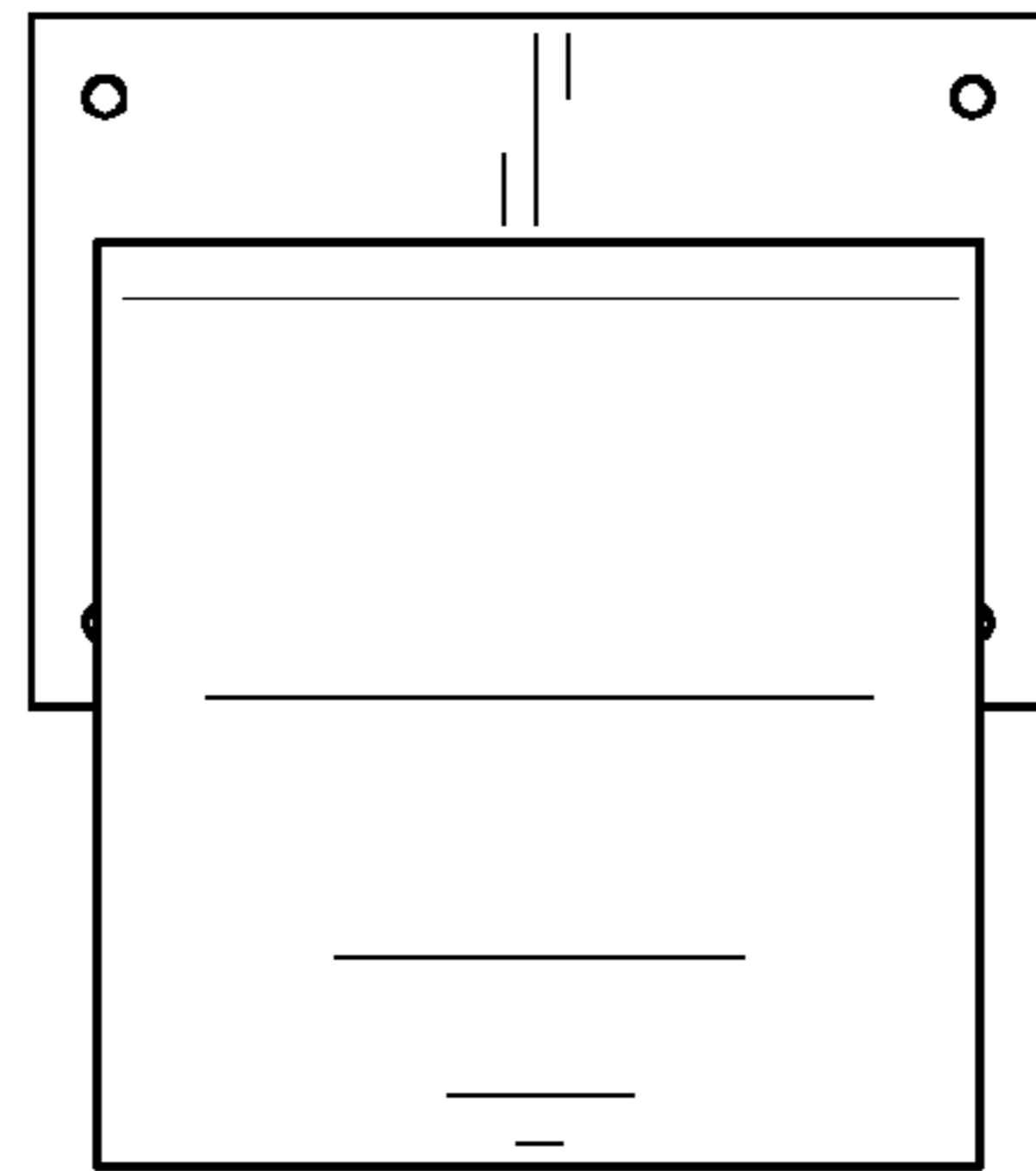


FIG. 13

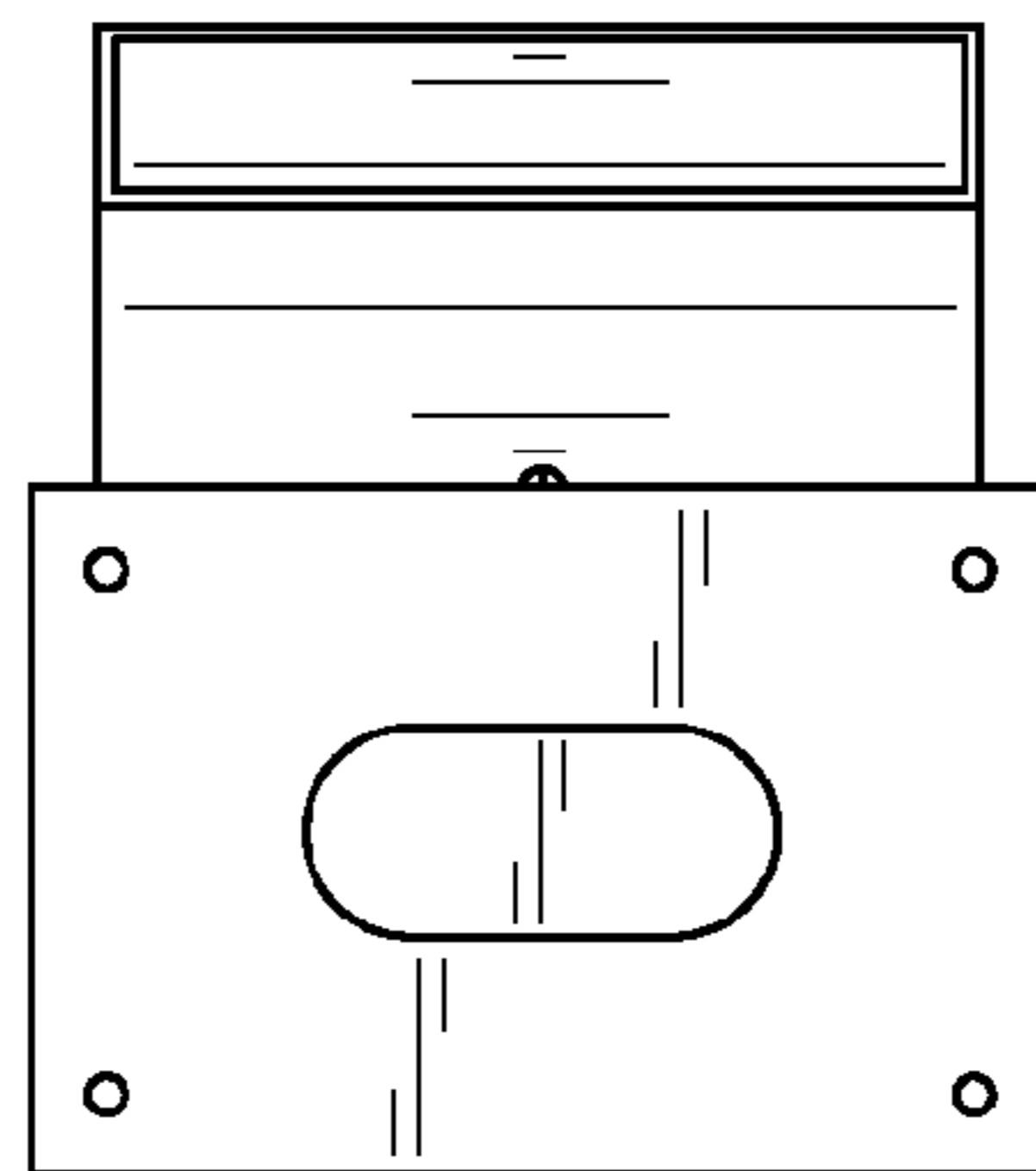


FIG. 14