



US00D685506S

(12) **United States Design Patent**
Pickard et al.

(10) **Patent No.:** **US D685,506 S**

(45) **Date of Patent:** **** Jul. 2, 2013**

(54) **LAMP**

D538,953 S * 3/2007 Mama D26/2
D541,440 S * 4/2007 Feit D26/2
D654,193 S * 2/2012 Tong et al. D26/2

(75) Inventors: **Paul Kenneth Pickard**, Morrisville, NC (US); **Gerald H. Negley**, Chapel Hill, NC (US); **Mark Edmond**, Raleigh, NC (US)

OTHER PUBLICATIONS

U.S. Appl. No. 13/103,303, filed May 9, 2011.

(73) Assignee: **Cree, Inc.**, Durham, NC (US)

* cited by examiner

(**) Term: **14 Years**

Primary Examiner — Marcus Jackson

(21) Appl. No.: **29/398,047**

(74) *Attorney, Agent, or Firm* — Steven B. Phillips; Moore & Van Allen PLLC

(22) Filed: **Jul. 26, 2011**

(57) **CLAIM**

We claim the ornamental design for a lamp, as shown and described.

(51) **LOC (9) Cl.** **26-04**

DESCRIPTION

(52) **U.S. Cl.**
USPC **D26/2**

(58) **Field of Classification Search**
USPC D26/1-4; 313/313, 315, 316, 317,
313/318, 493; 315/52, 53, 56, 57, 58
See application file for complete search history.

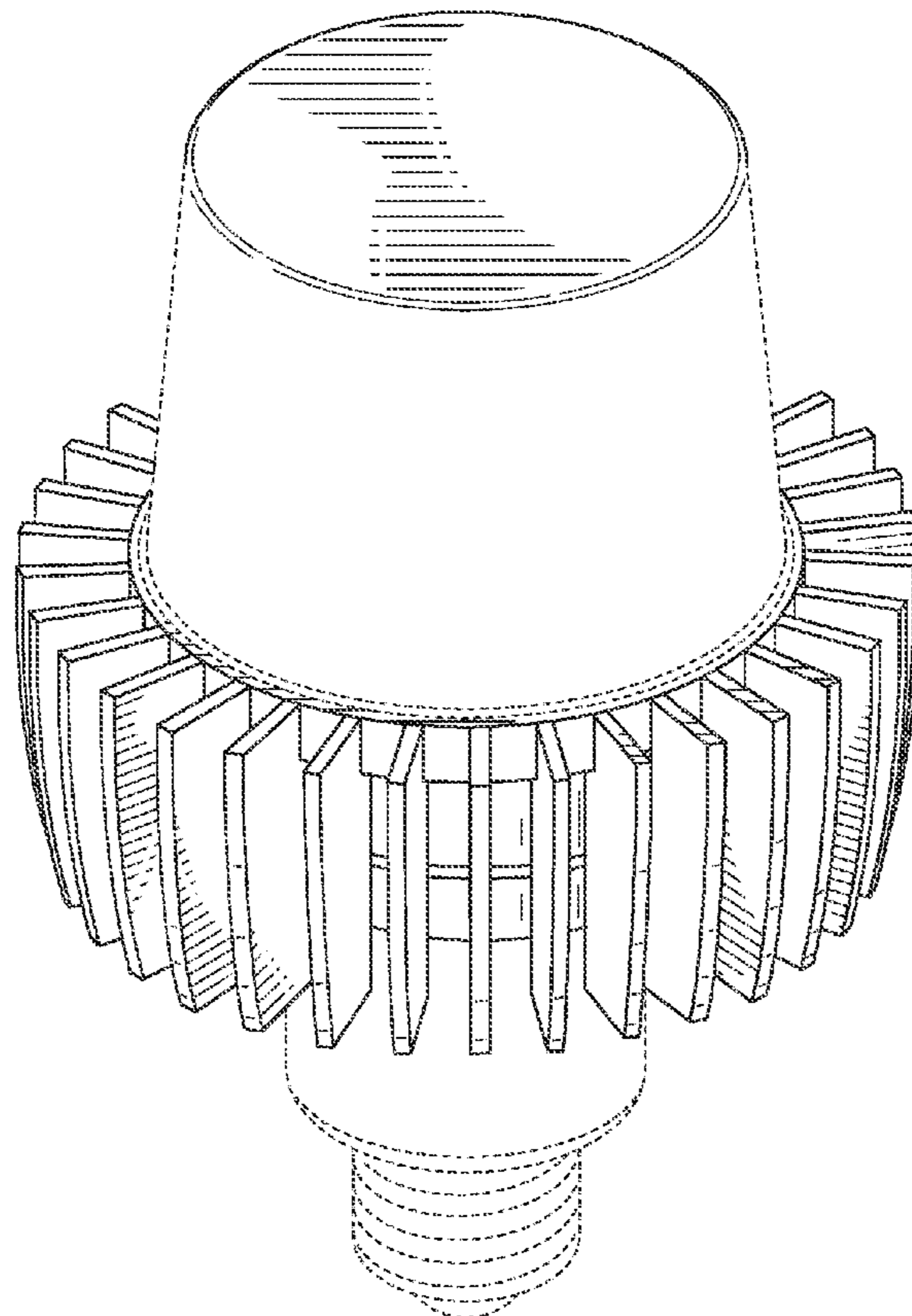
FIG. 1 is a perspective view showing another embodiment of our design for a lamp.
FIG. 2 is a side view of the embodiment of our design shown in FIG. 1. Again, all sides of the lamp appear the same, save for broken line portions, which are directed to environmental features. Therefore this is the only side view shown.
FIG. 3 is a top view of the embodiment of our design shown in FIG. 1; and,
FIG. 4 is a bottom view of the embodiment of our design as shown in FIG. 1.

(56) **References Cited**

U.S. PATENT DOCUMENTS

D508,575 S * 8/2005 Buschmann et al. D26/2
D528,227 S * 9/2006 Chou et al. D26/2
D531,741 S * 11/2006 Takahashi D26/2
D534,665 S * 1/2007 Egawa et al. D26/2

1 Claim, 3 Drawing Sheets



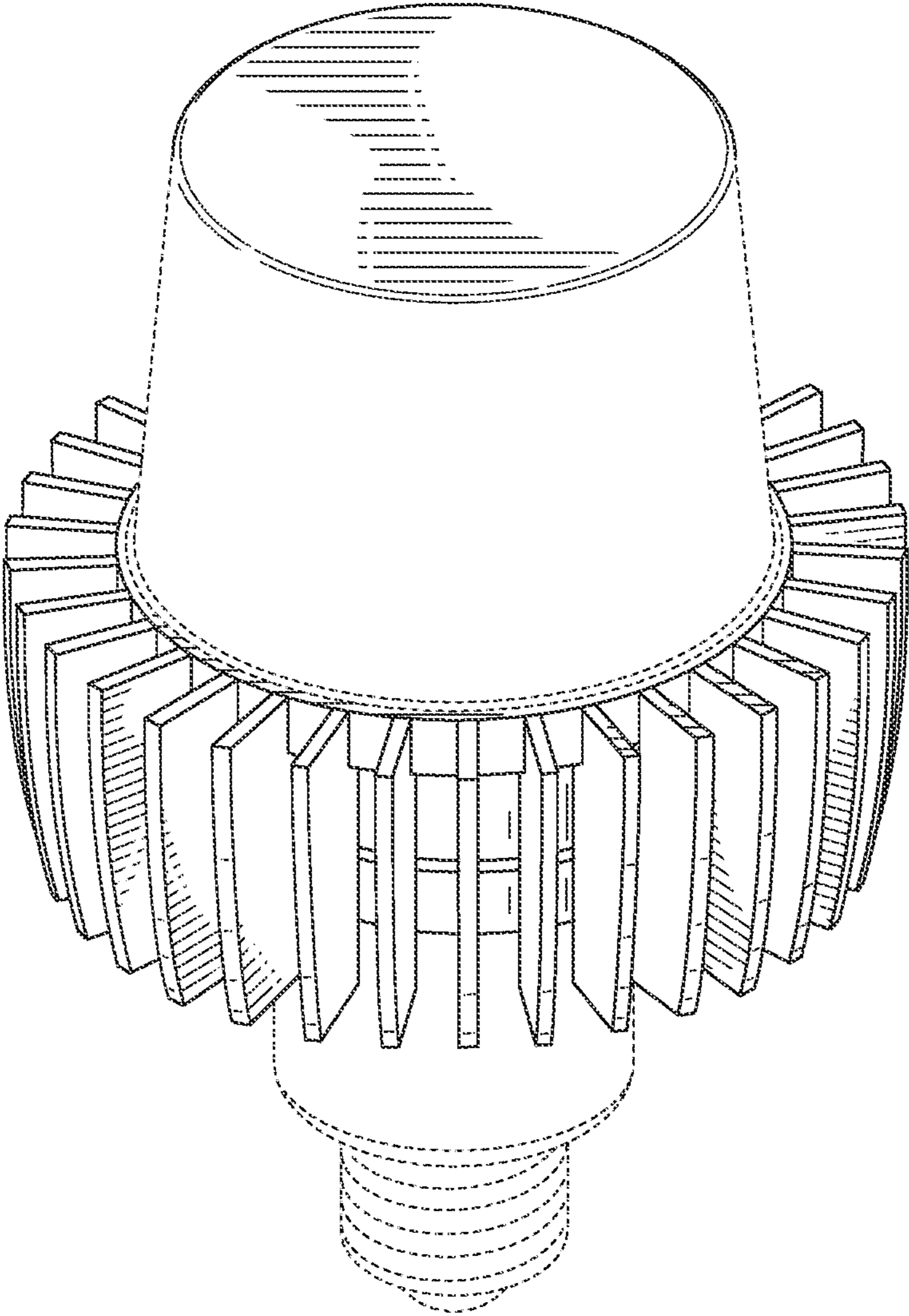


FIG. 1

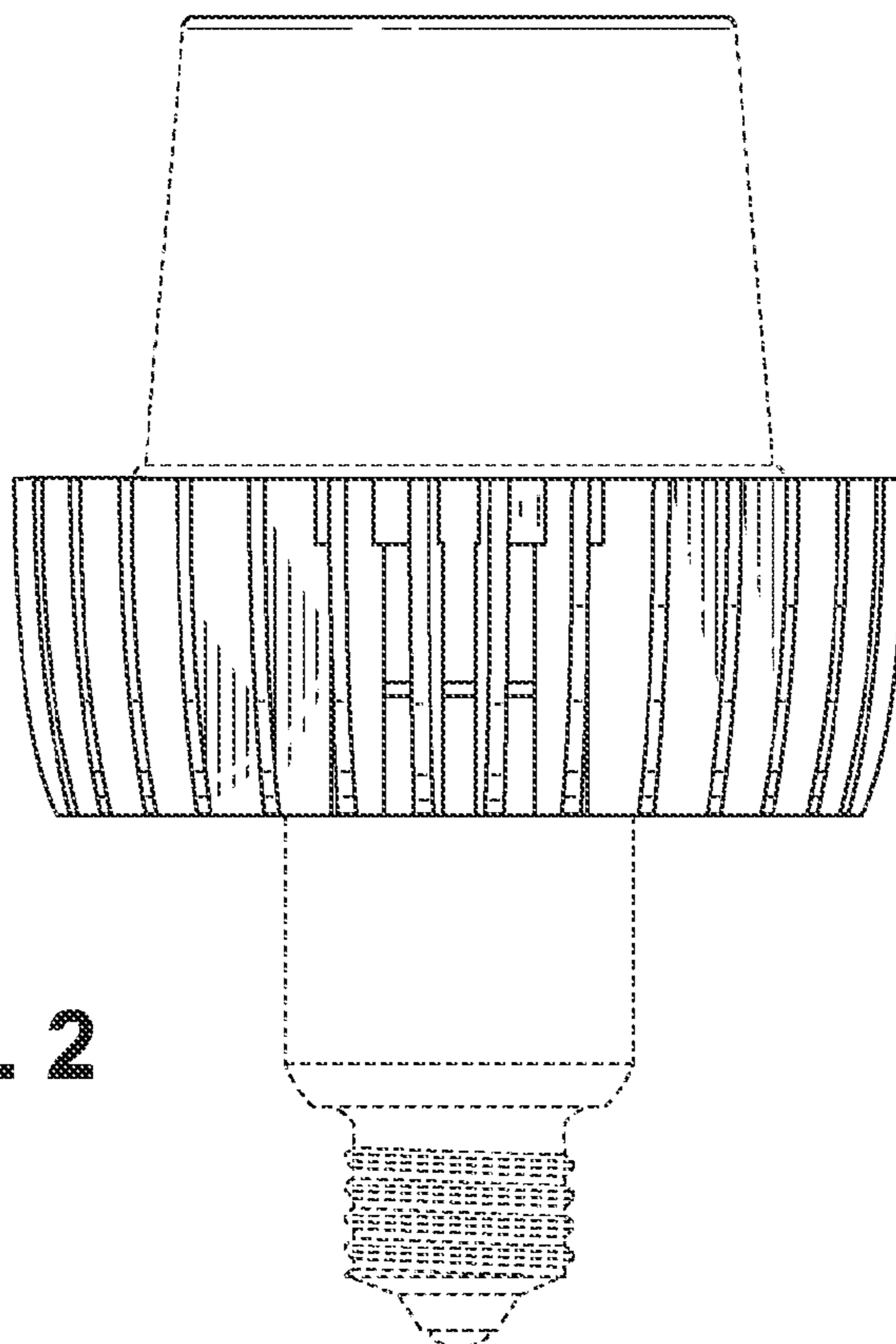


FIG. 2

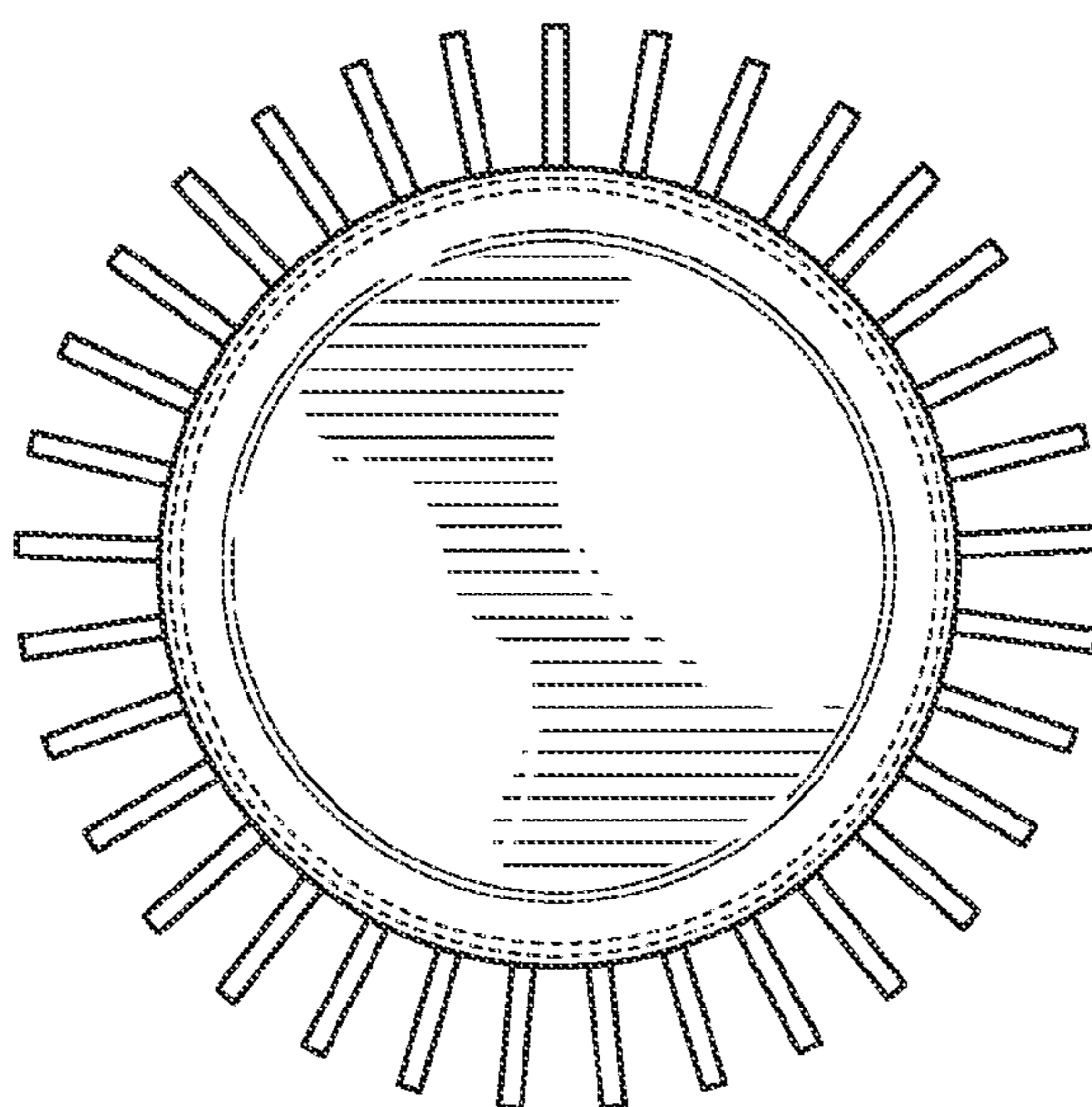


FIG. 3

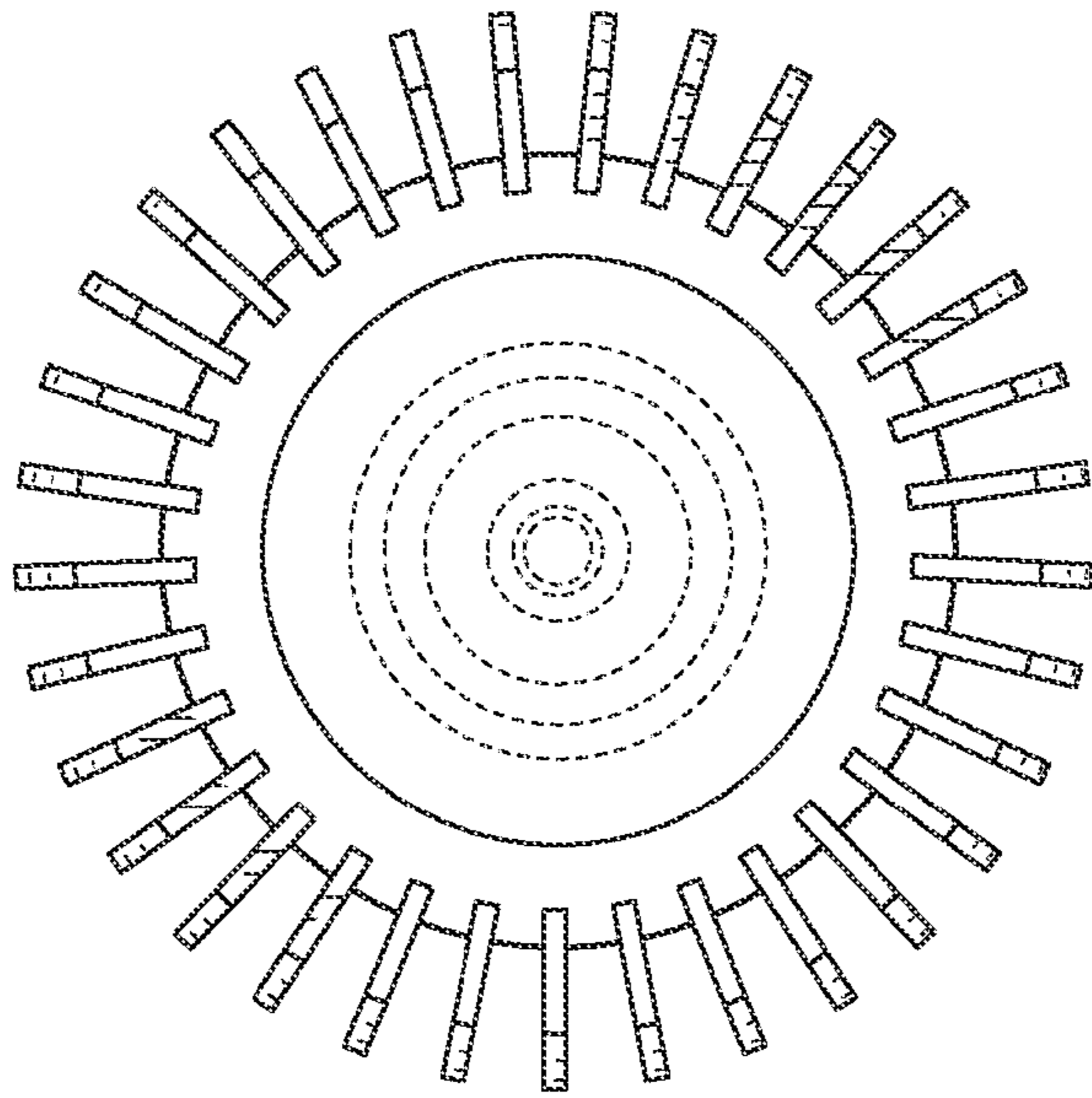


FIG. 4