



US00D685505S

(12) **United States Design Patent**  
**Yamamoto et al.**

(10) **Patent No.:** **US D685,505 S**  
(45) **Date of Patent:** **\*\* Jul. 2, 2013**

(54) **LIGHT EMITTING DIODE LAMP**  
(75) Inventors: **Junichiro Yamamoto**, Kanagawa (JP);  
**Shigeru Osawa**, Kanagawa (JP);  
**Yuichiro Takahara**, Kanagawa (JP);  
**Tomohiko Sato**, Kanagawa (JP)  
(73) Assignee: **Toshiba Lighting & Technology Corporation**, Kanagawa (JP)

D625,031 S 10/2010 Yamamoto et al.  
D625,440 S 10/2010 Yamamoto et al.  
D627,492 S \* 11/2010 Yamamoto et al. .... D26/2  
D627,493 S 11/2010 Yamamoto et al.  
D628,312 S 11/2010 Yamamoto et al.  
D628,317 S \* 11/2010 Yamamoto et al. .... D26/2  
D628,318 S 11/2010 Yamamoto et al.  
D628,722 S \* 12/2010 Yamamoto et al. .... D26/2  
D631,573 S \* 1/2011 Yamamoto et al. .... D26/2

(\*\*) Term: **14 Years**  
(21) Appl. No.: **29/397,934**  
(22) Filed: **Jul. 22, 2011**

**FOREIGN PATENT DOCUMENTS**

JP D1406629 2/2011  
JP D1407098 2/2011  
JP D1407099 2/2011  
JP D1410026 3/2011  
JP D1410408 3/2011

\* cited by examiner

(30) **Foreign Application Priority Data**  
Jan. 27, 2011 (JP) ..... 2011-001640  
Feb. 9, 2011 (JP) ..... 2011-002691  
Feb. 9, 2011 (JP) ..... 2011-002692  
Feb. 9, 2011 (JP) ..... 2011-002694  
Feb. 9, 2011 (JP) ..... 2011-002695

*Primary Examiner* — Marcus Jackson  
(74) *Attorney, Agent, or Firm* — J.C. Patents

(51) **LOC (9) Cl.** ..... **26-04**  
(52) **U.S. Cl.**  
USPC ..... **D26/2**  
(58) **Field of Classification Search**  
USPC ..... D26/1-4; 313/313, 315, 316, 317,  
313/318, 493; 315/52, 53, 56, 57, 58  
See application file for complete search history.

(57) **CLAIM**  
The ornamental design for a light emitting diode lamp, as shown and described.

(56) **References Cited**  
**U.S. PATENT DOCUMENTS**  
D397,233 S 8/1998 Bassford  
D547,886 S 7/2007 Foo  
D578,299 S 10/2008 Dennis  
D581,081 S 11/2008 Mier-Langner  
D583,967 S 12/2008 Leunis  
D598,873 S 8/2009 Tseng  
D614,321 S 4/2010 Yang  
D621,969 S 8/2010 Yamamoto et al.  
D621,970 S 8/2010 Yamamoto et al.  
D621,971 S 8/2010 Yamamoto et al.  
D621,972 S 8/2010 Yamamoto et al.  
D625,030 S \* 10/2010 Yamamoto et al. .... D26/2

**DESCRIPTION**

FIG. 1 is a perspective view of a light emitting diode lamp showing a first embodiment of our new design;  
FIG. 2 is another perspective view of the first embodiment;  
FIG. 3 is a front view of the first embodiment;  
FIG. 4 is a rear view of the first embodiment;  
FIG. 5 is a left side view of the first embodiment;  
FIG. 6 is a right side view of the first embodiment;  
FIG. 7 is a top view of the first embodiment;  
FIG. 8 is a bottom view of the first embodiment;  
FIG. 9 is a cross-sectional view taken along line 9-9 in FIG. 6;  
FIG. 10 is a perspective view of a light emitting diode lamp showing a second embodiment of our new design;  
FIG. 11 is another perspective view of the second embodiment;  
FIG. 12 is a front view of the second embodiment;  
FIG. 13 is a rear view of the second embodiment;  
FIG. 14 is a left side view of the second embodiment;  
FIG. 15 is a right side view of the second embodiment;  
FIG. 16 is a top view of the second embodiment;

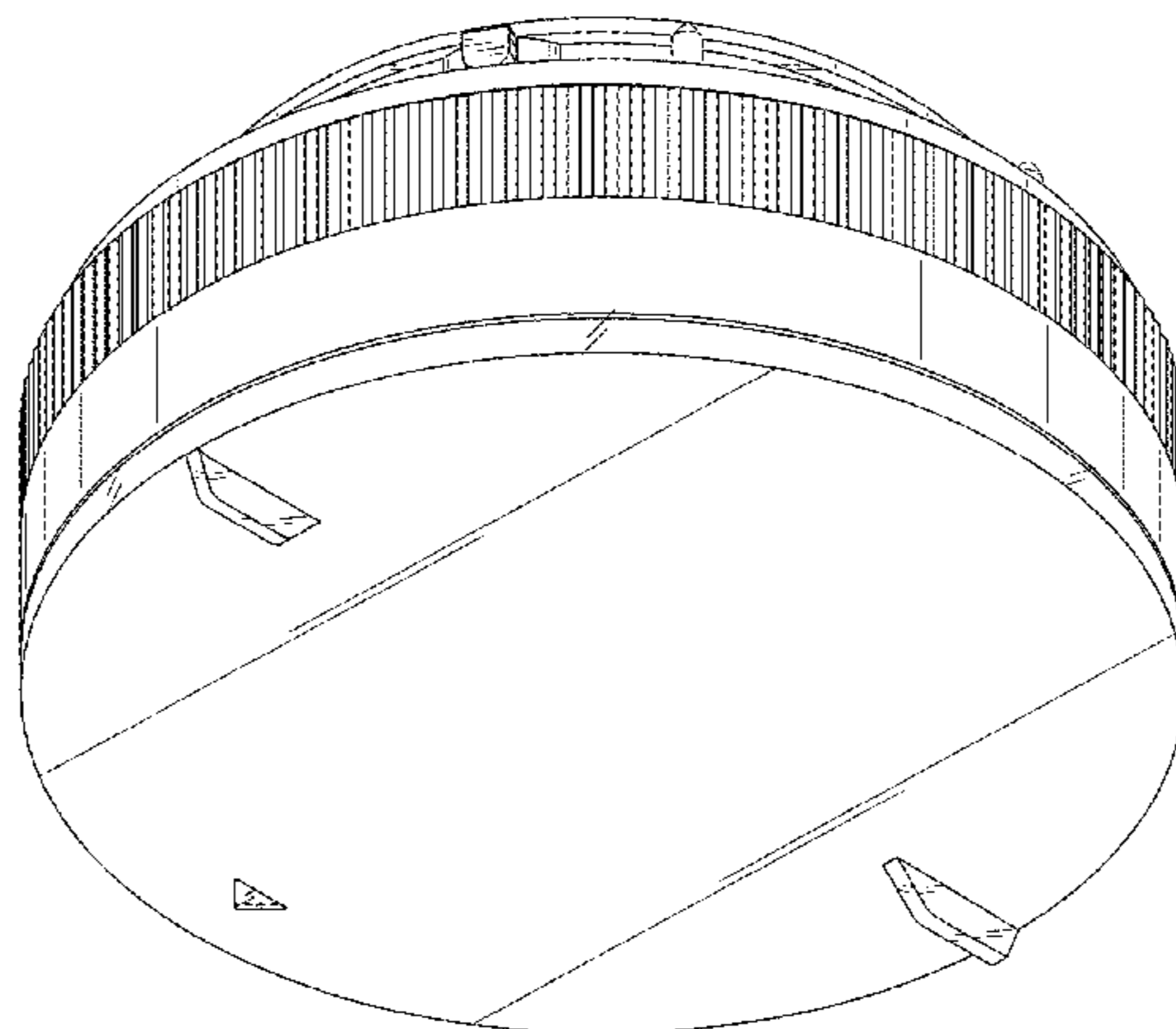


FIG. 17 is a bottom view of the second embodiment;  
FIG. 18 is a cross-sectional view taken along line 18-18 in FIG. 15;  
FIG. 19 is a perspective view of a light emitting diode lamp showing a third embodiment of our new design;  
FIG. 20 is another perspective view of the third embodiment;  
FIG. 21 is a front view of the third embodiment;  
FIG. 22 is a rear view of the third embodiment;  
FIG. 23 is a left side view of the third embodiment;  
FIG. 24 is a right side view of the third embodiment;  
FIG. 25 is a top view of the third embodiment;  
FIG. 26 is a bottom view of the third embodiment;  
FIG. 27 is a cross-sectional view taken along line 27-27 in FIG. 24;  
FIG. 28 is a perspective view of a light emitting diode lamp showing a fourth embodiment of our new design;  
FIG. 29 is another perspective view of the fourth embodiment;  
FIG. 30 is a front view of the fourth embodiment;  
FIG. 31 is a rear view of the fourth embodiment;  
FIG. 32 is a left side view of the fourth embodiment;

FIG. 33 is a right side view of the fourth embodiment;  
FIG. 34 is a top view of the fourth embodiment;  
FIG. 35 is a bottom view of the fourth embodiment;  
FIG. 36 is a cross-sectional view taken along line 36-36 in FIG. 33;  
FIG. 37 is a perspective view of a light emitting diode lamp showing a fifth embodiment of our new design;  
FIG. 38 is another perspective view of the fifth embodiment;  
FIG. 39 is a front view of the fifth embodiment;  
FIG. 40 is a rear view of the fifth embodiment;  
FIG. 41 is a left side view of the fifth embodiment;  
FIG. 42 is a right side view of the fifth embodiment;  
FIG. 43 is a top view of the fifth embodiment;  
FIG. 44 is a bottom view of the fifth embodiment; and,  
FIG. 45 is a cross-sectional view taken along line 45-45 in FIG. 42.

The portions shown in double cross-hatched lines in FIGS. 9, 18, 27, 36 and 45 are pervious to light. The broken lines shown in the drawings are for illustrative purposes only and form no part of the claimed design.

**1 Claim, 35 Drawing Sheets**

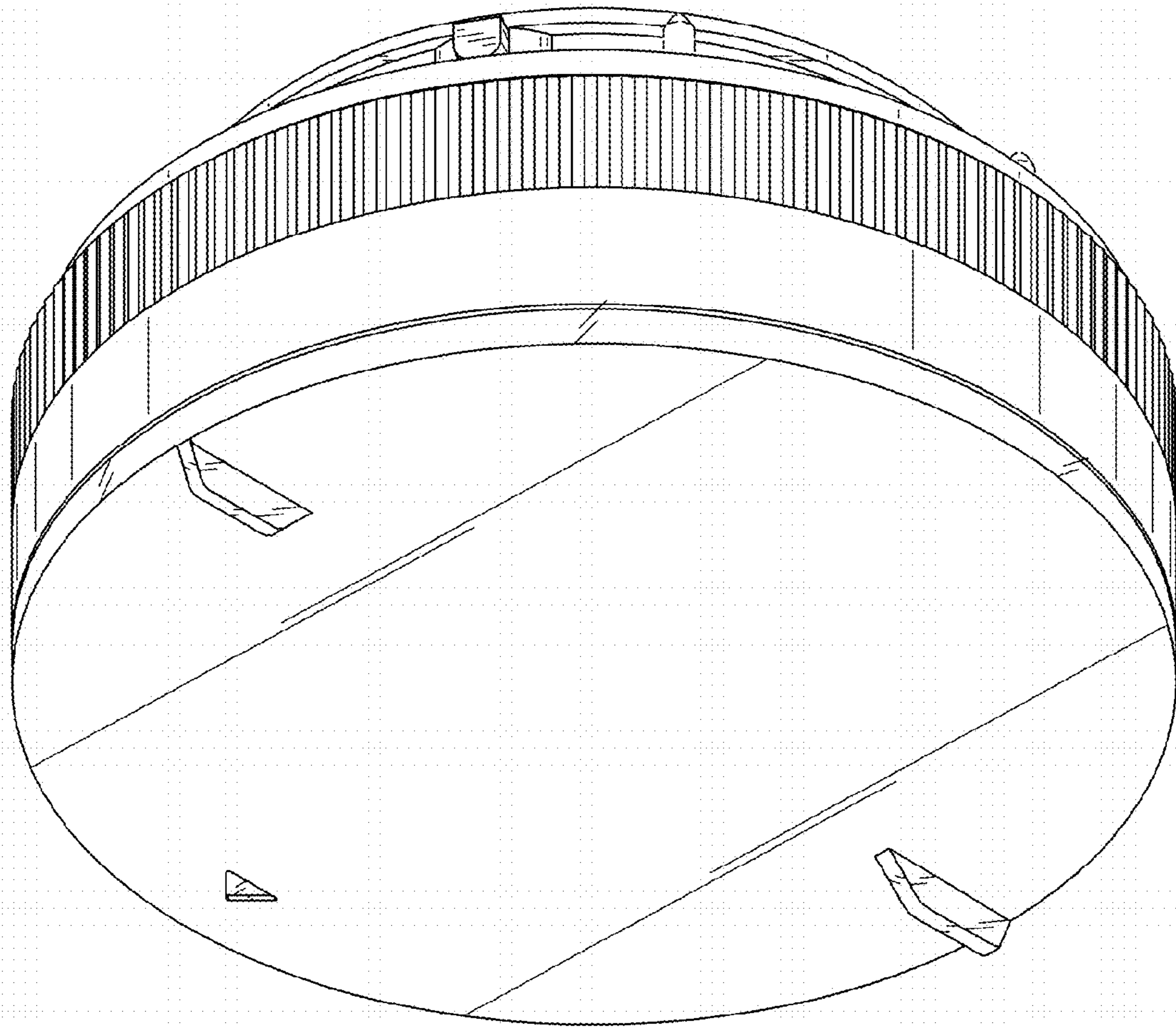


FIG. 1



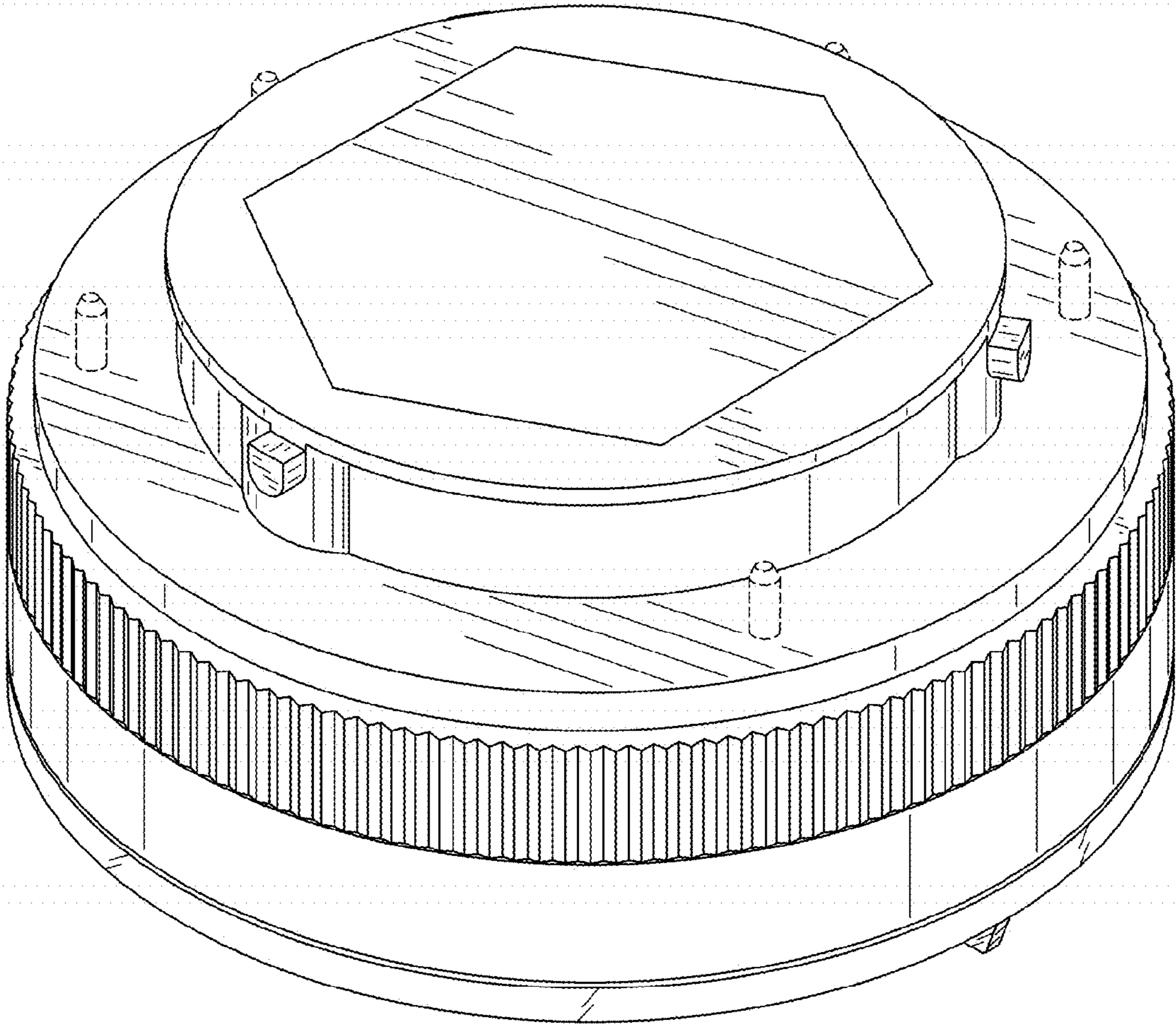


FIG. 2

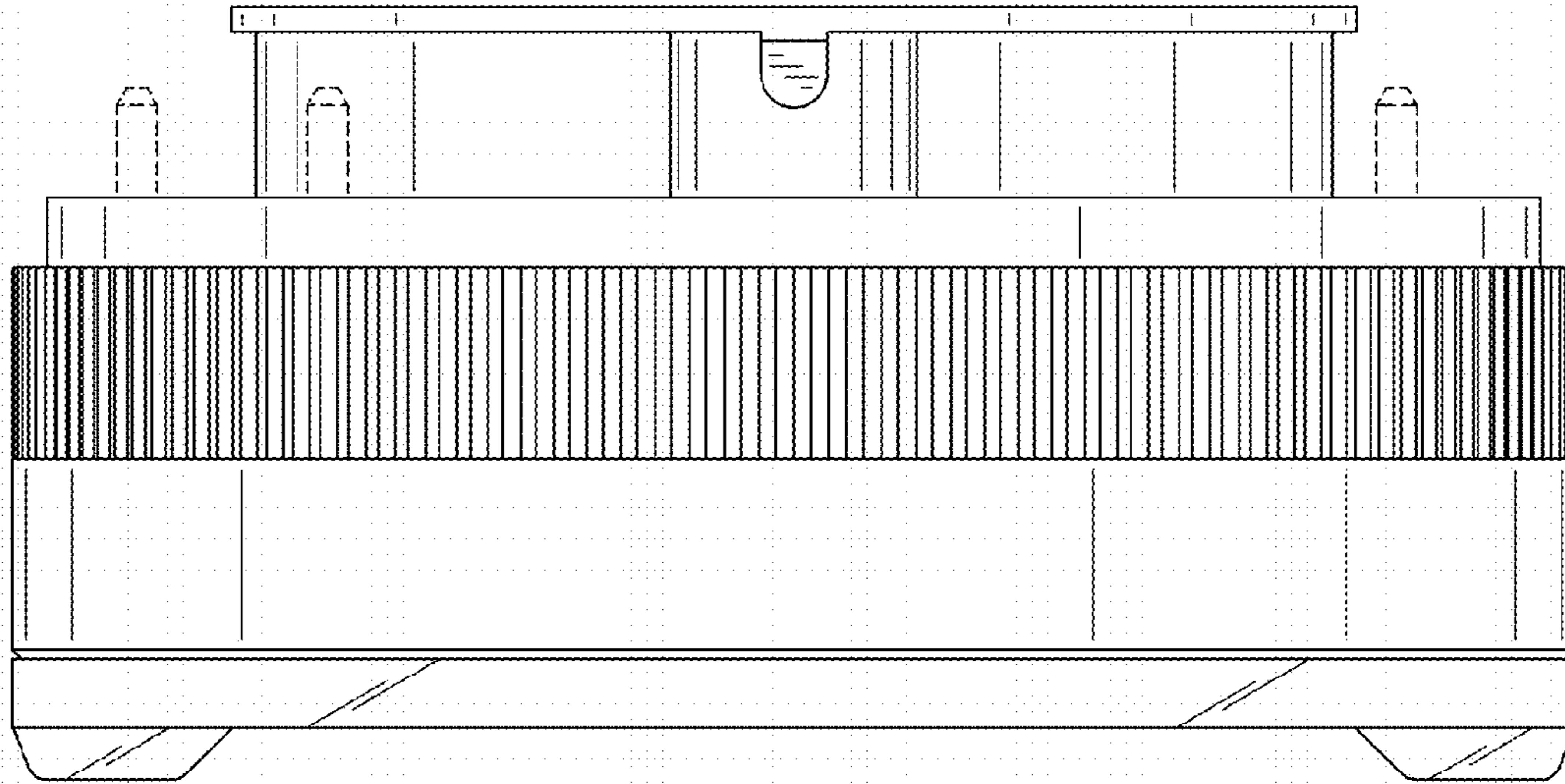


FIG. 3

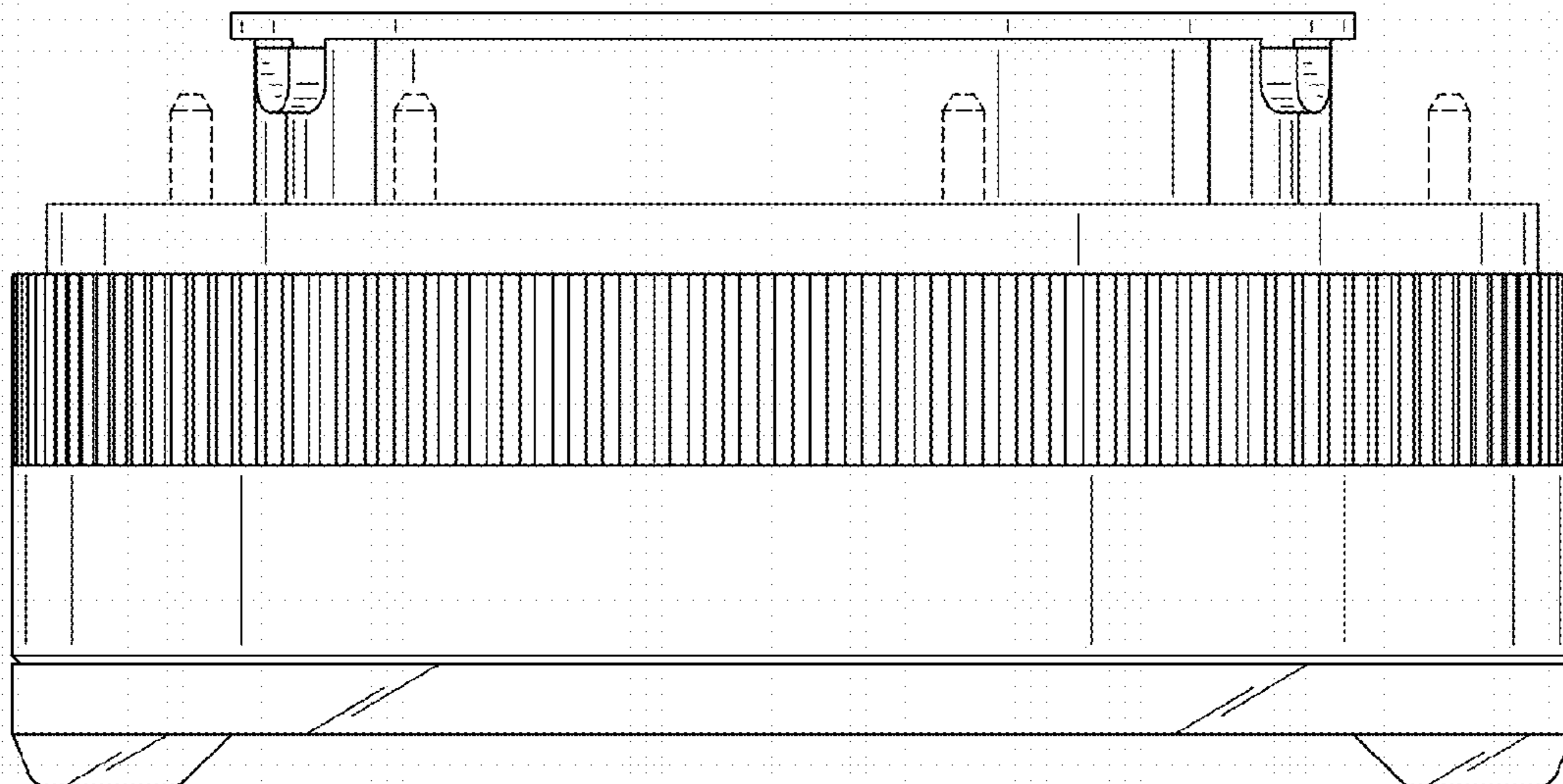


FIG. 4

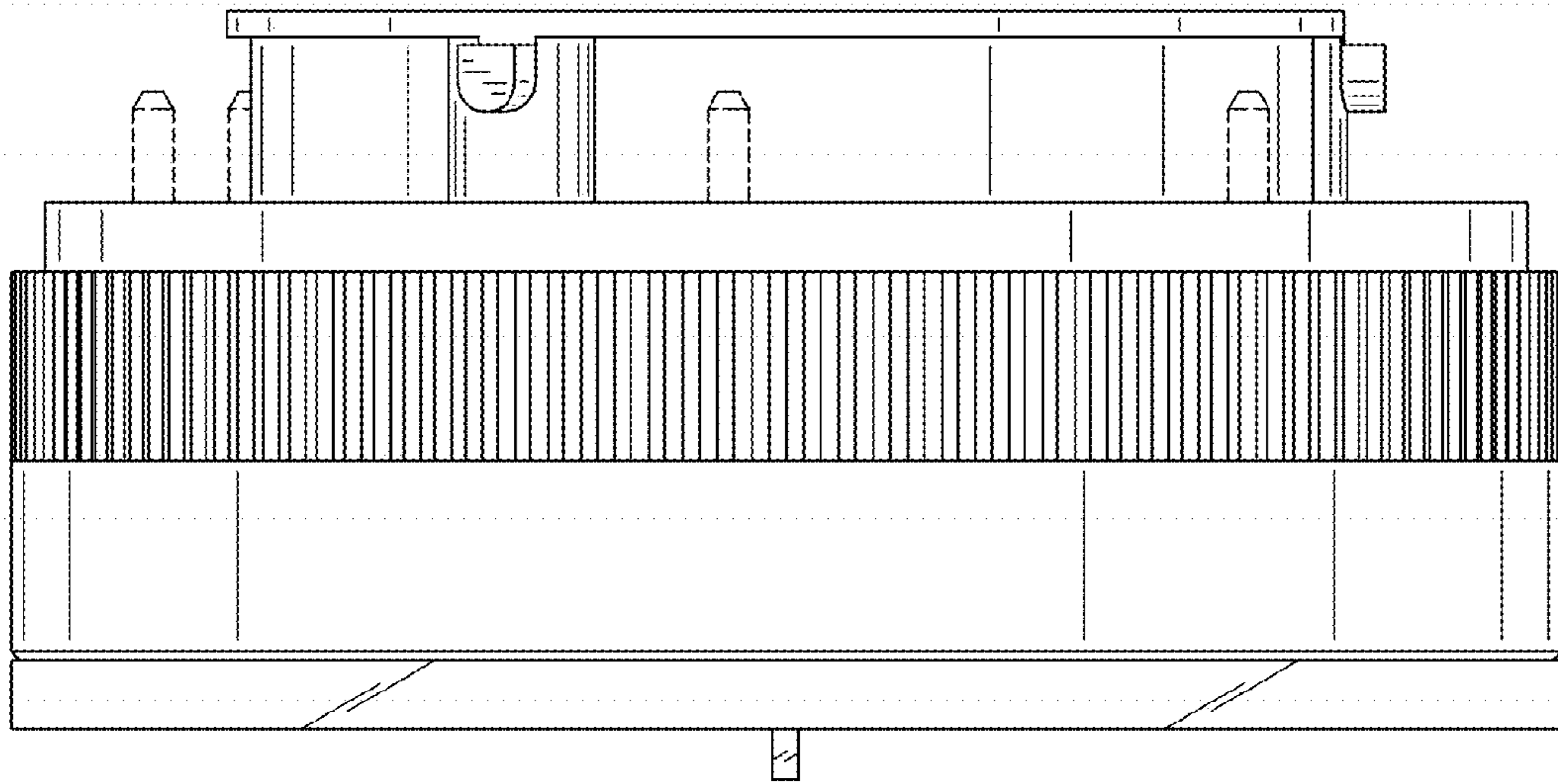


FIG. 5

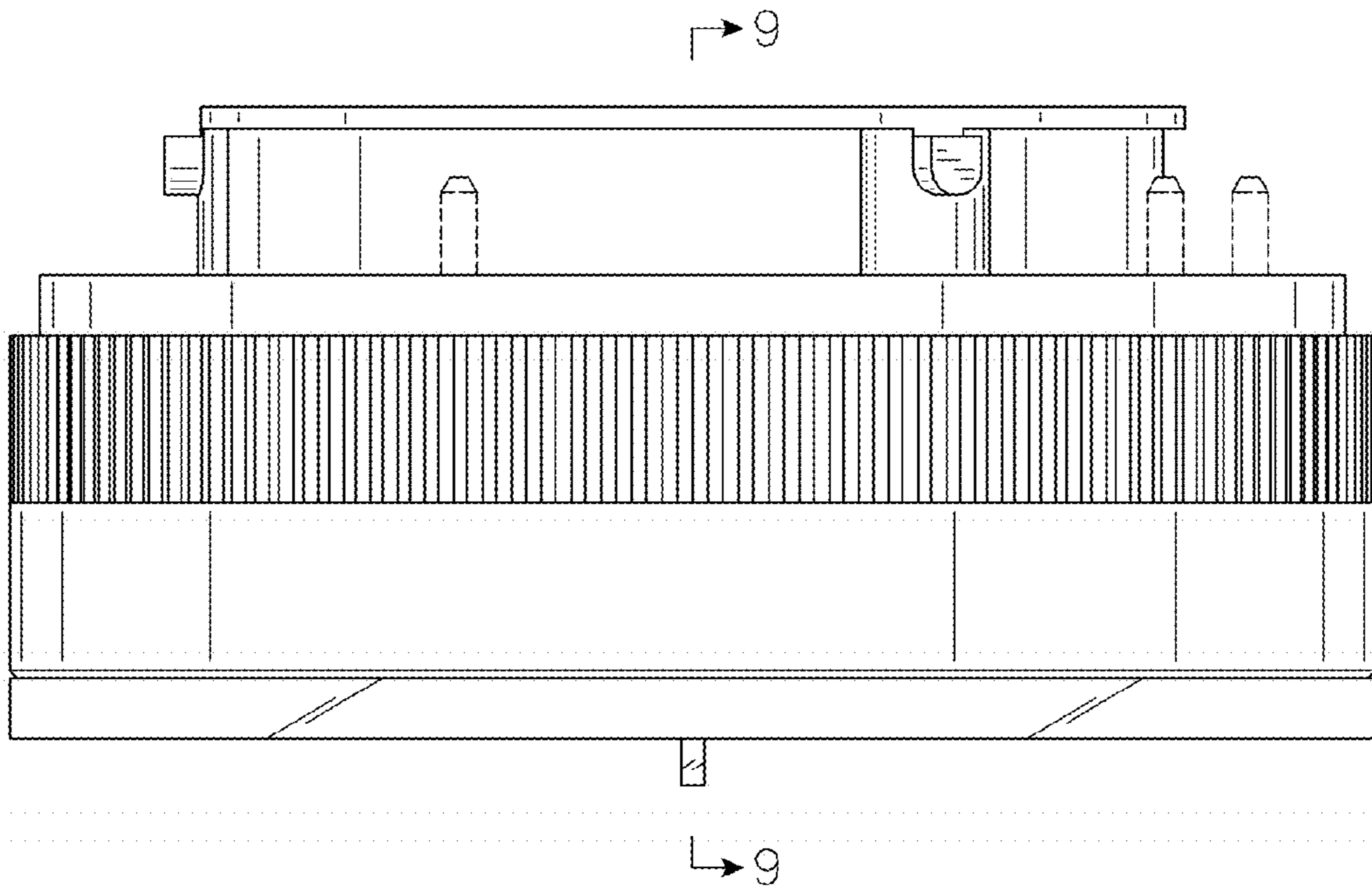


FIG. 6

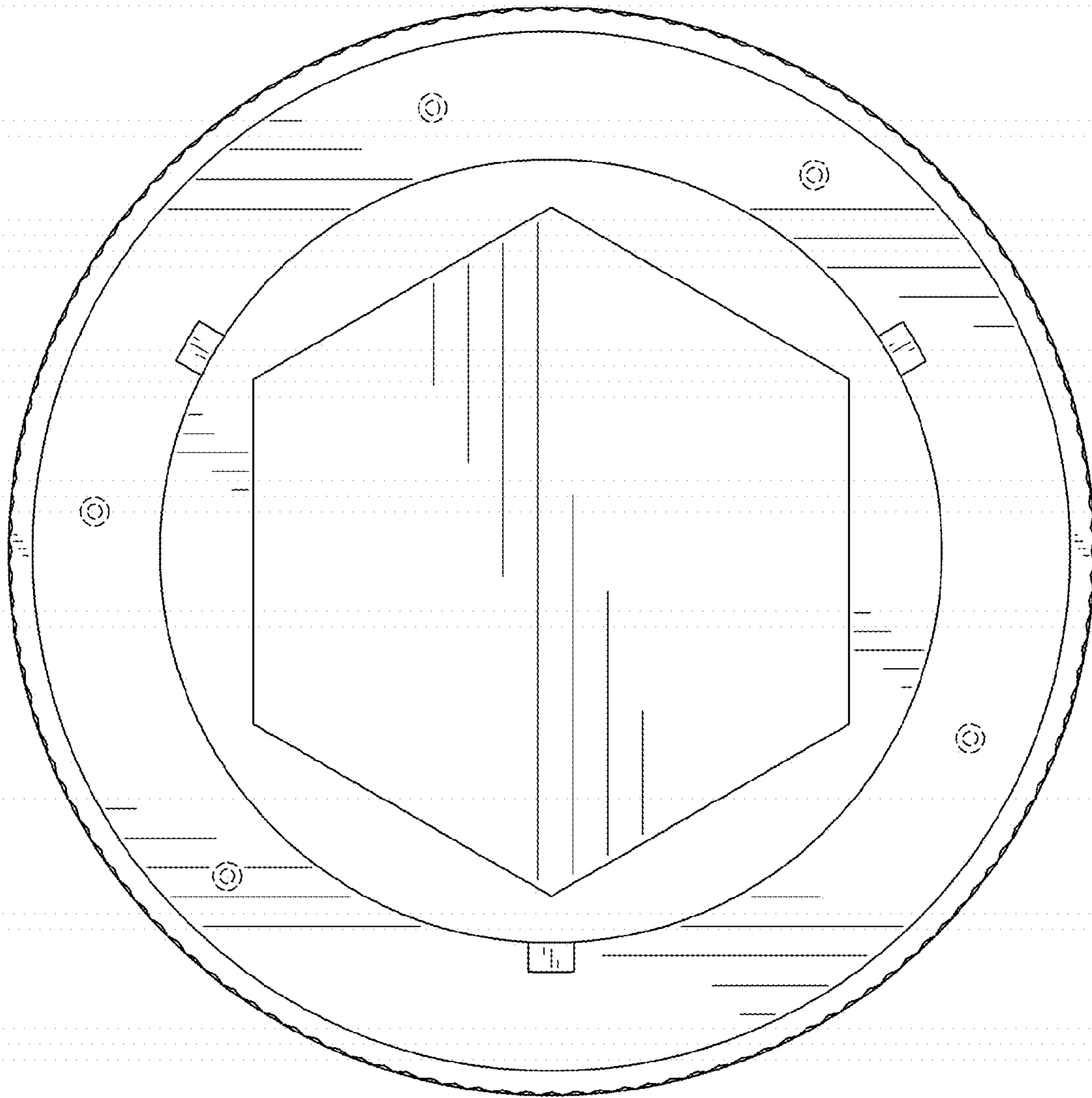


FIG. 7



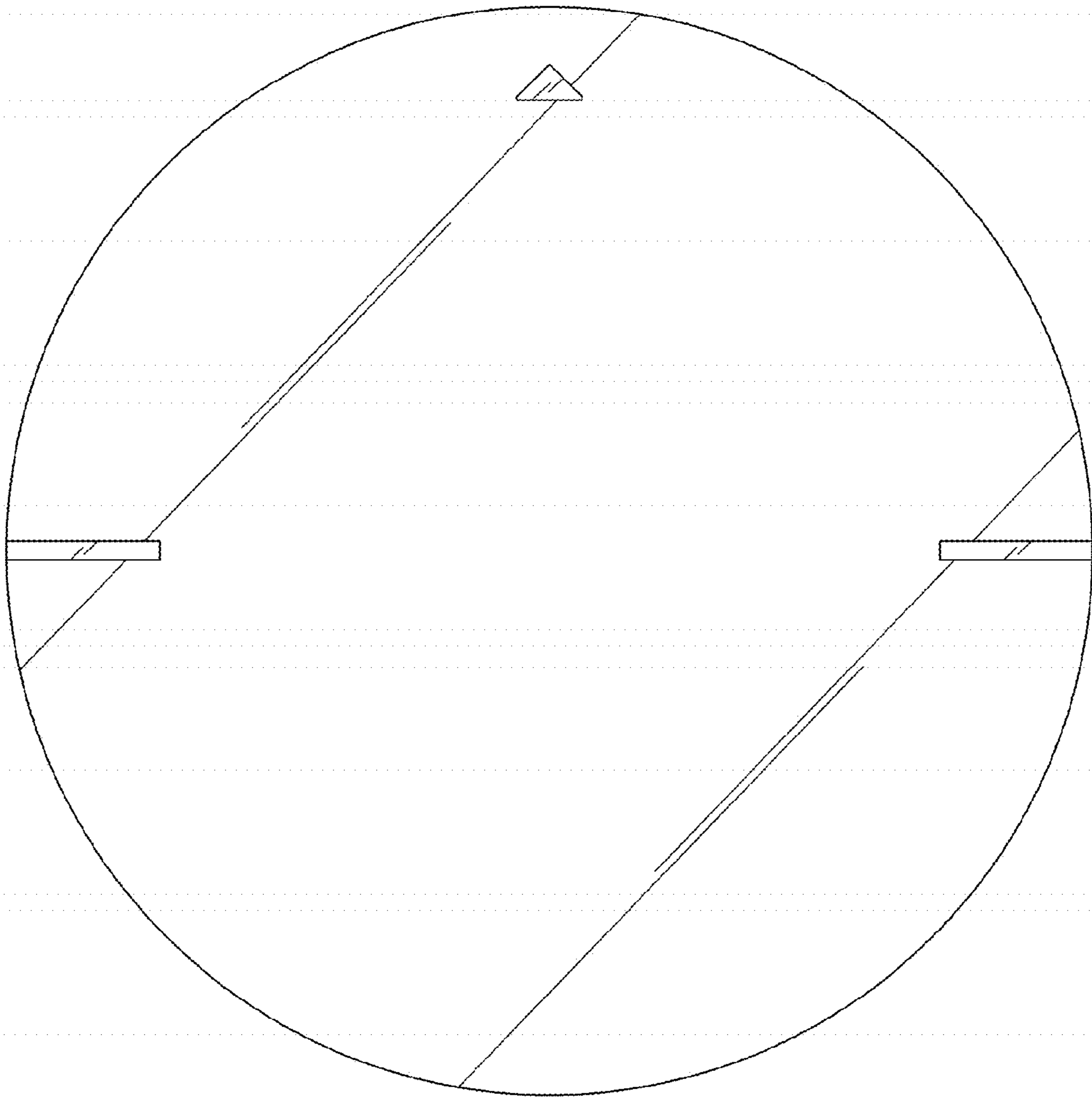


FIG. 8



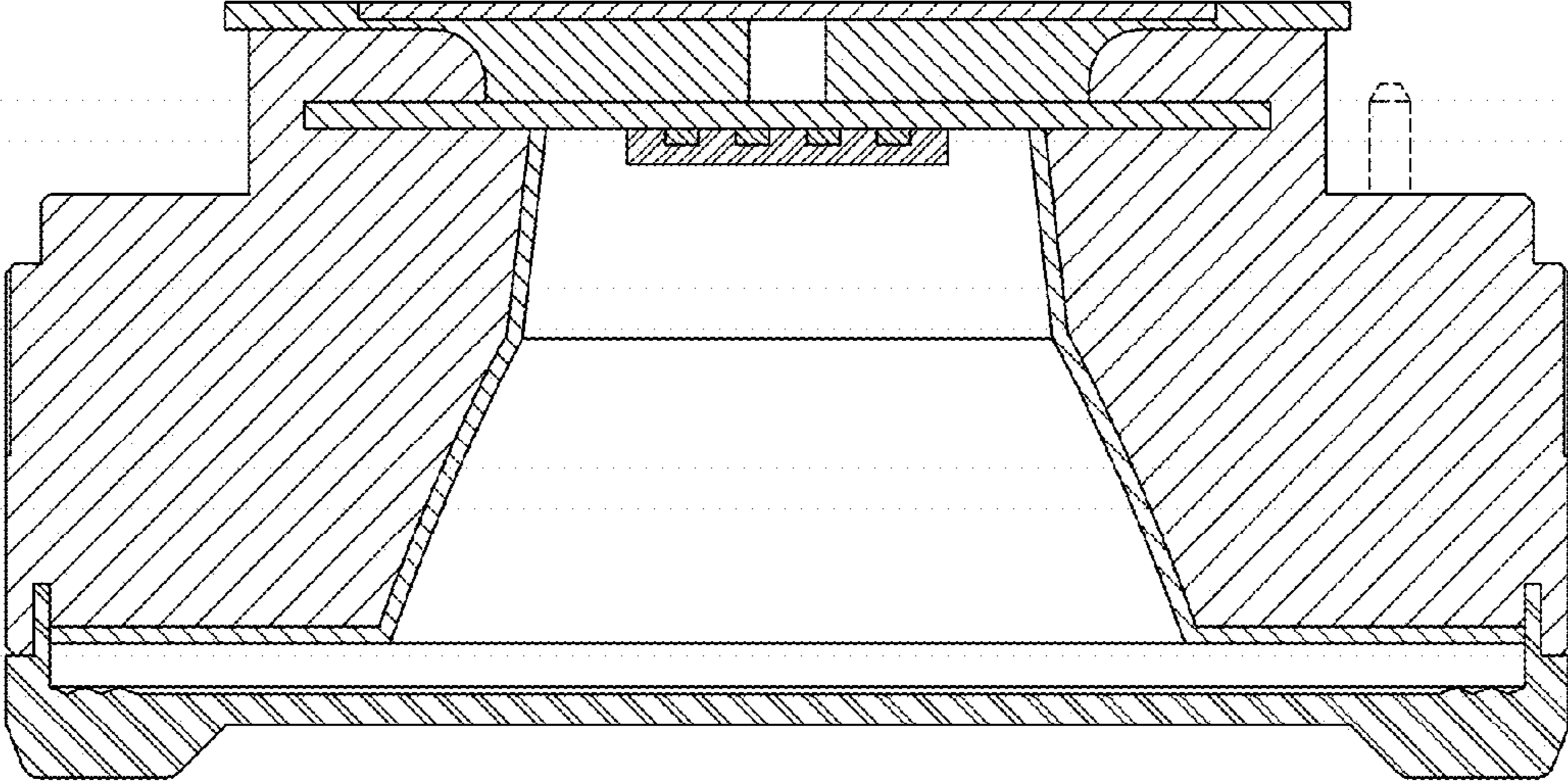


FIG. 9

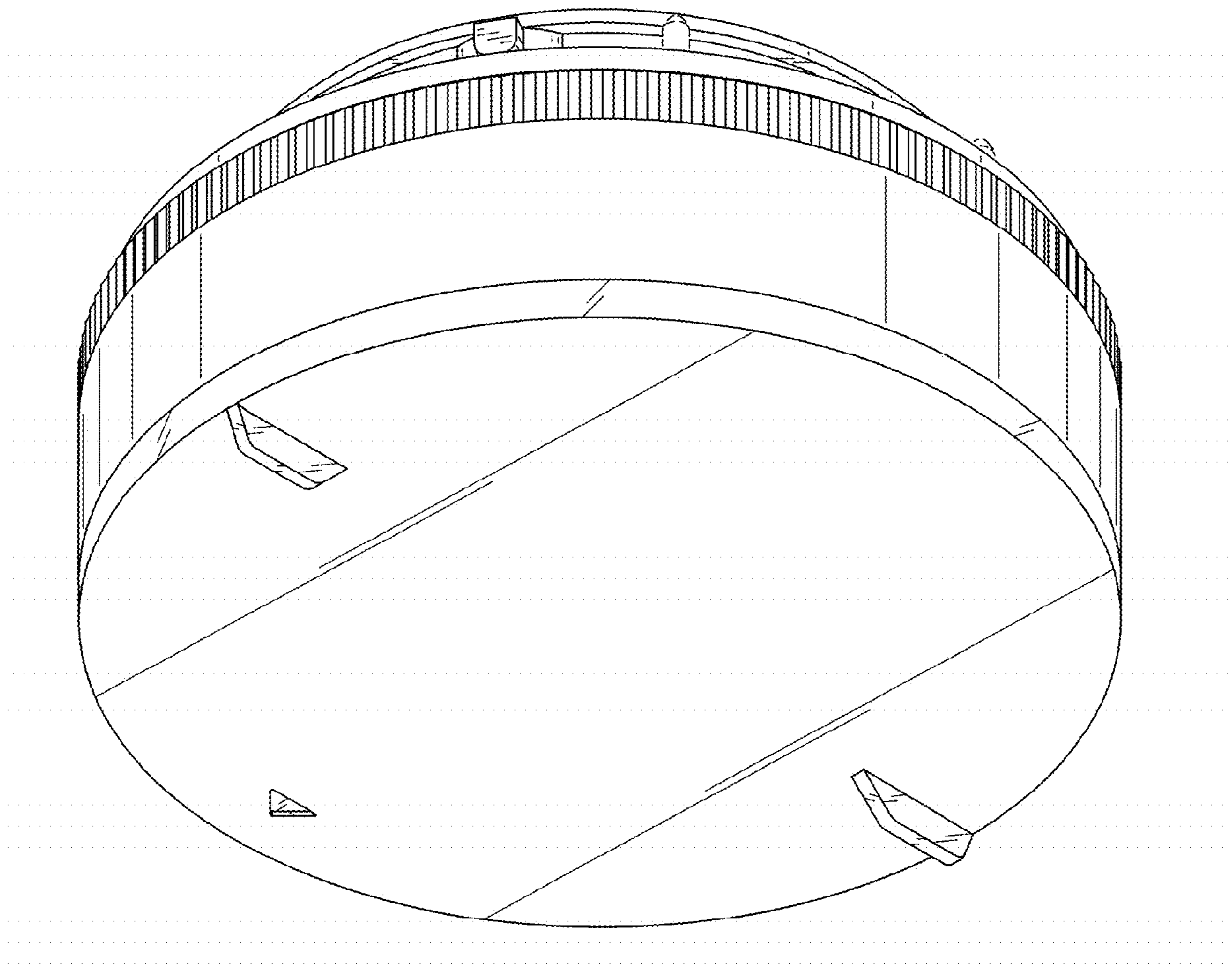


FIG. 10

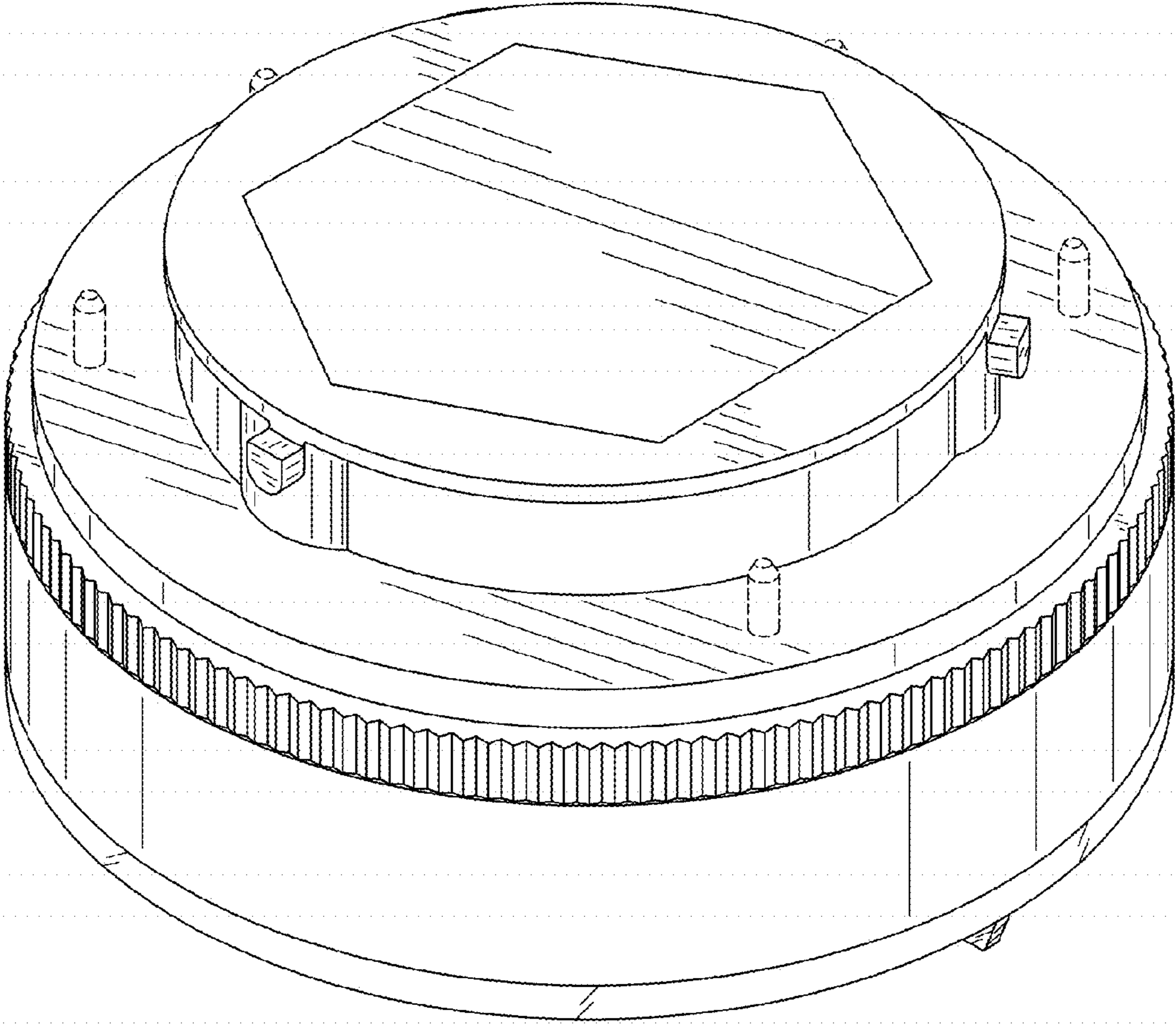


FIG. 11

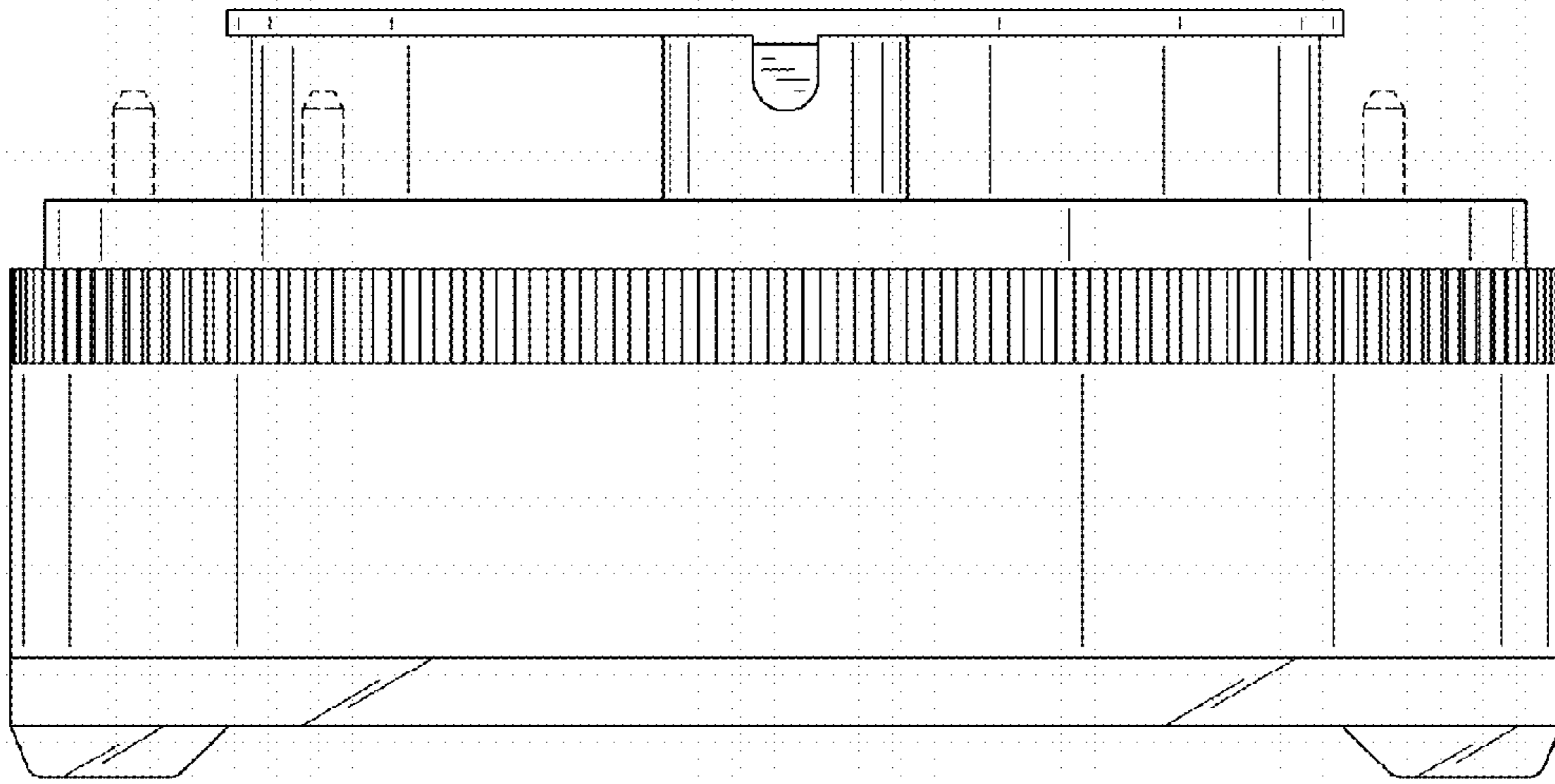


FIG. 12

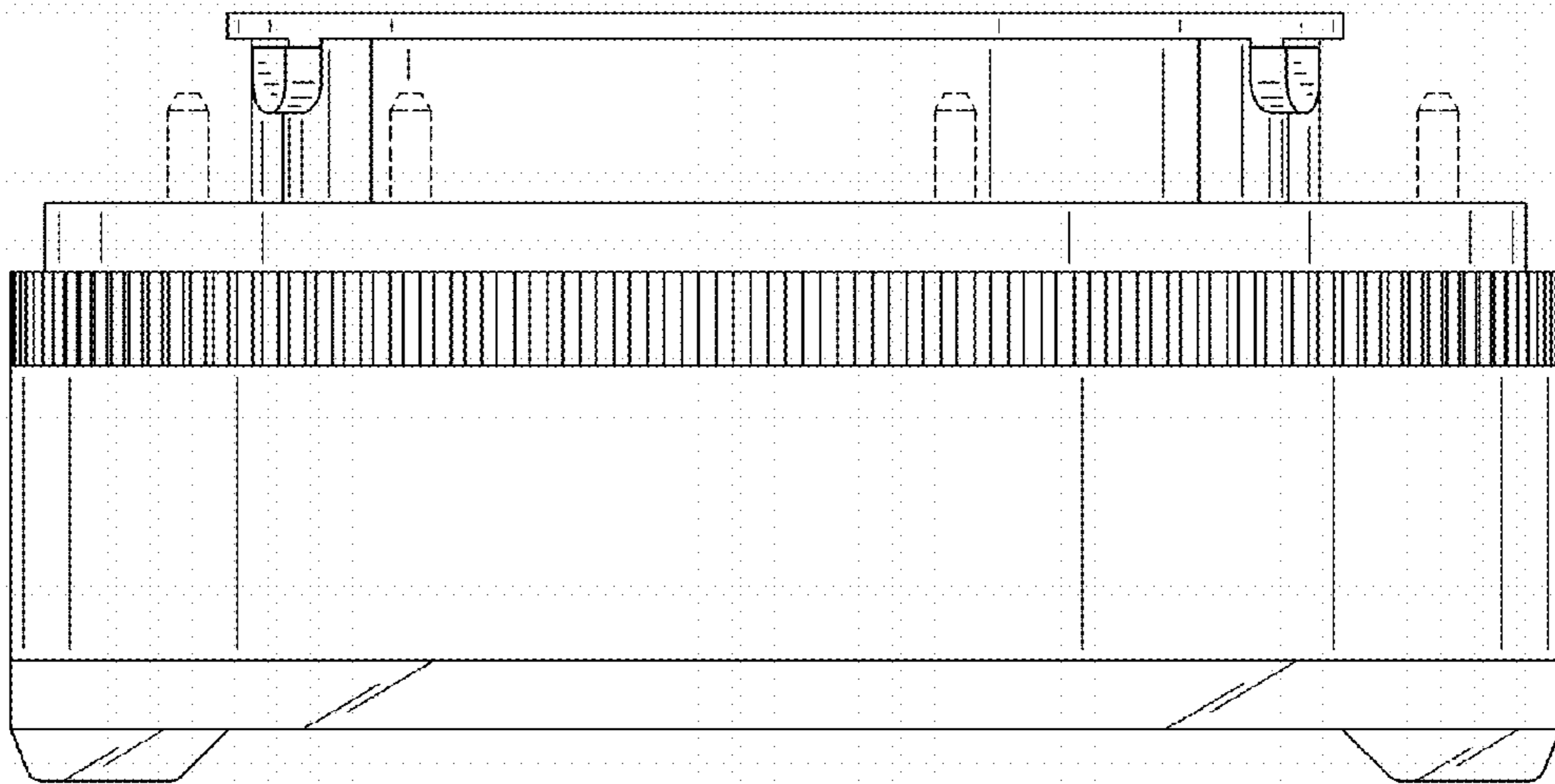


FIG. 13



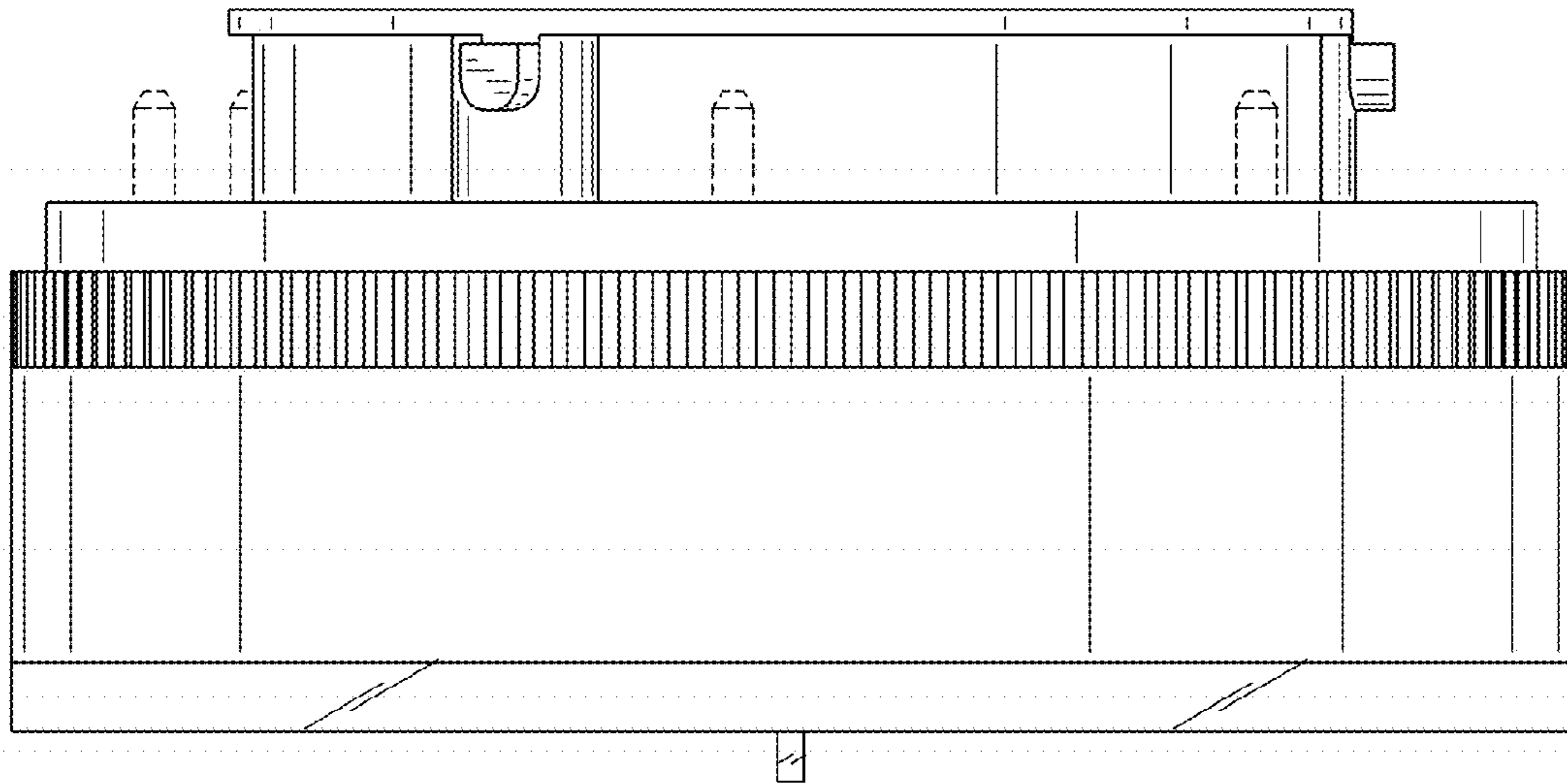
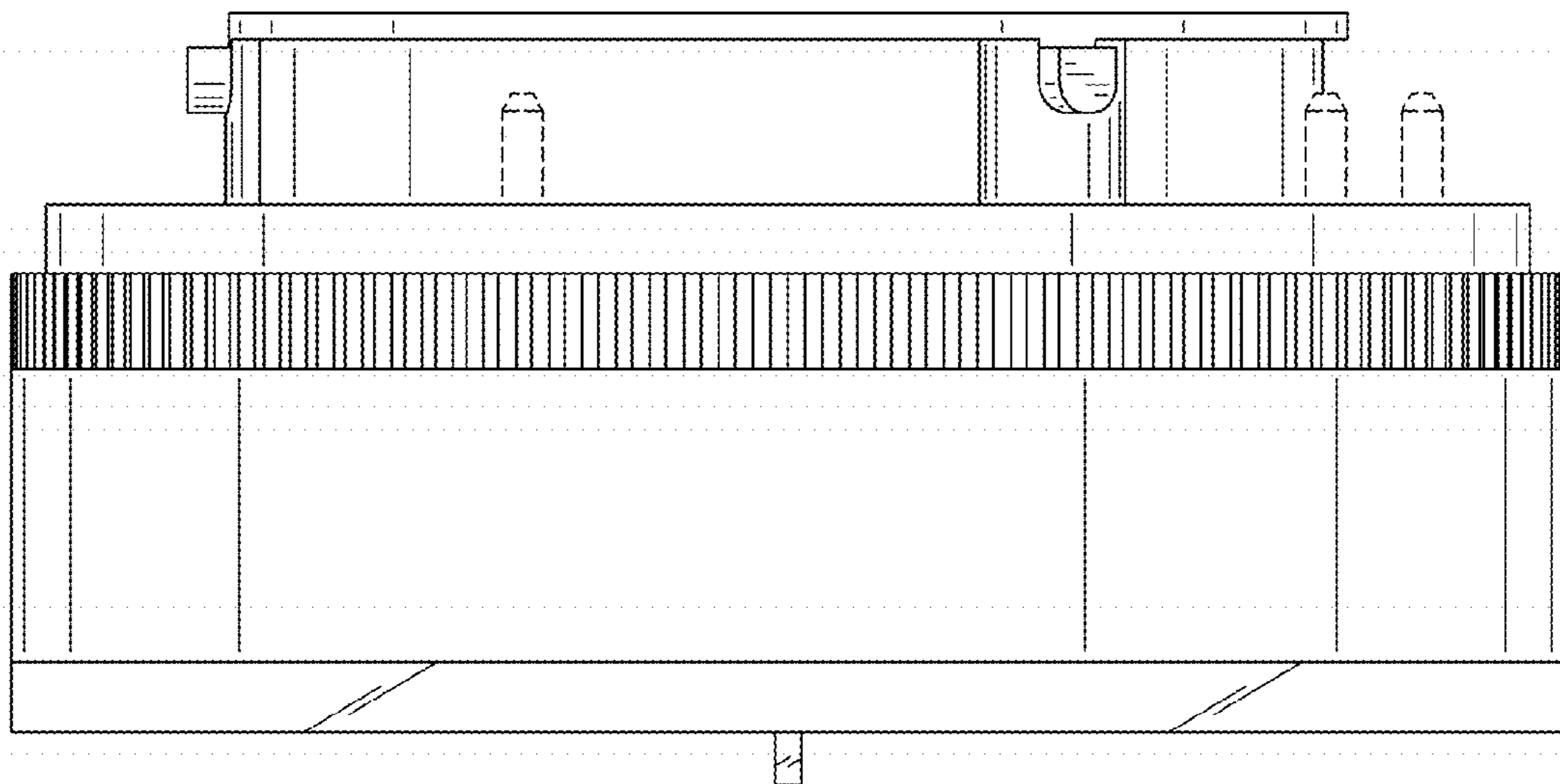


FIG. 14

→ 18



↙ 18

FIG. 15

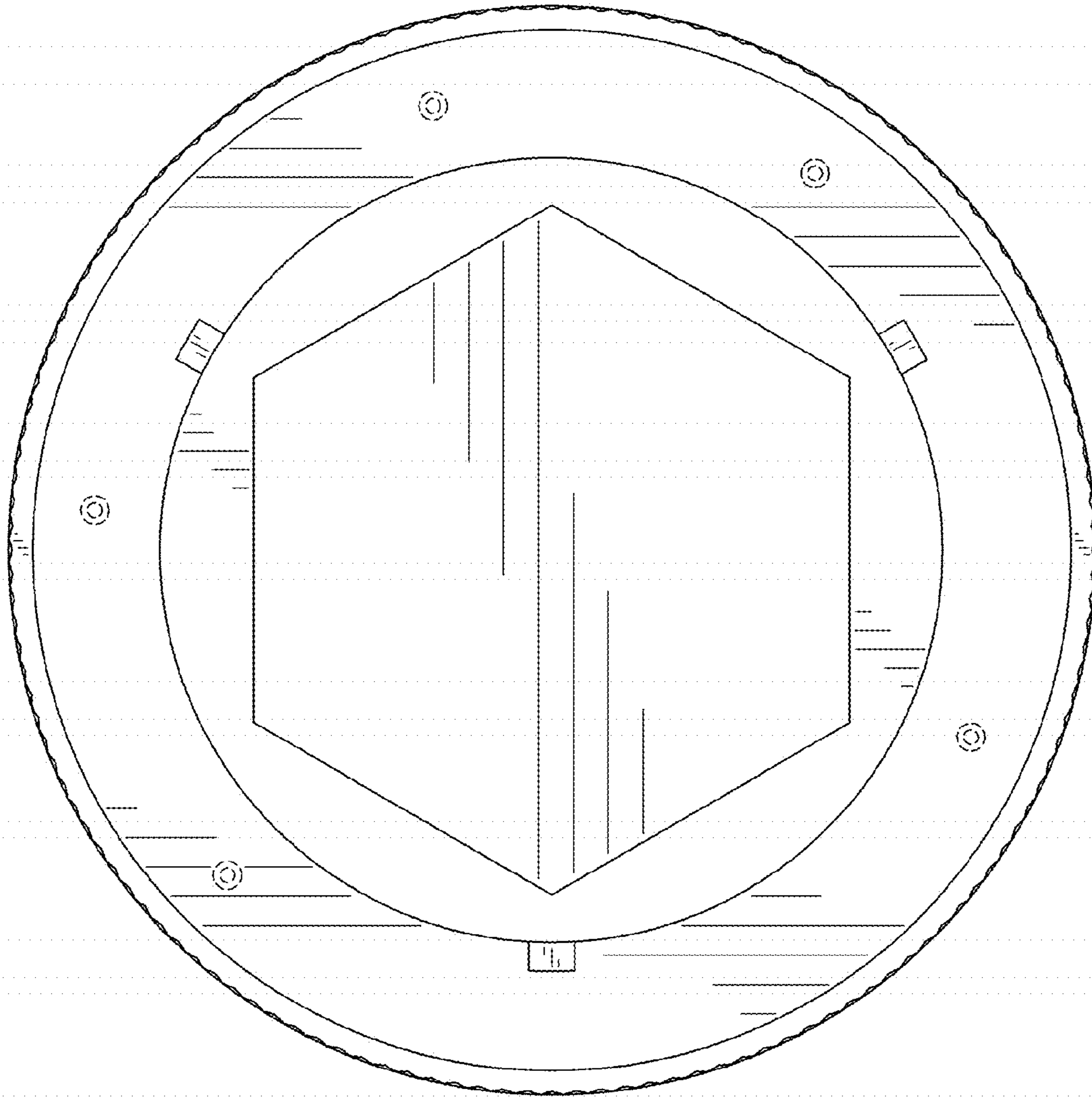


FIG. 16

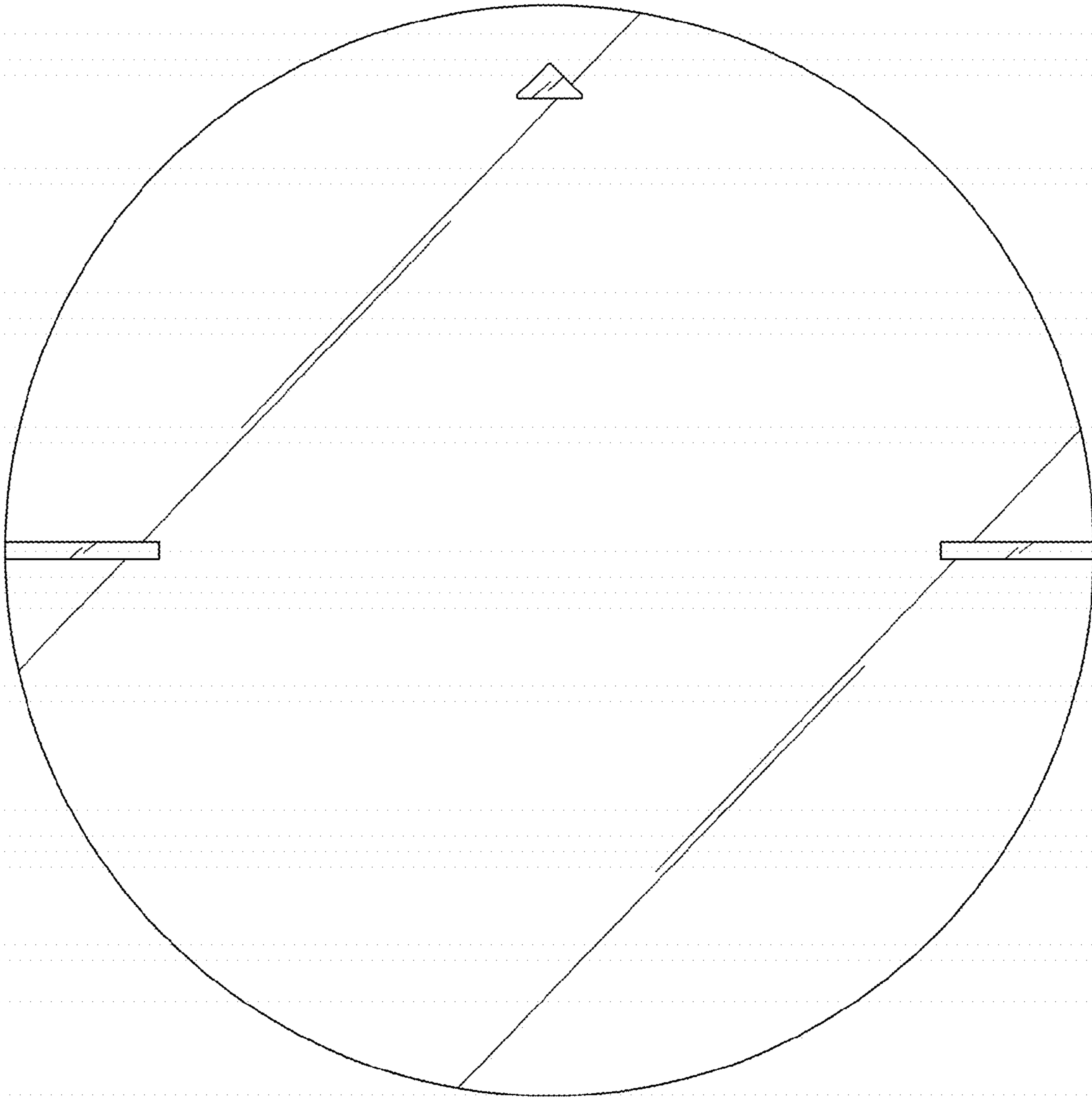


FIG. 17

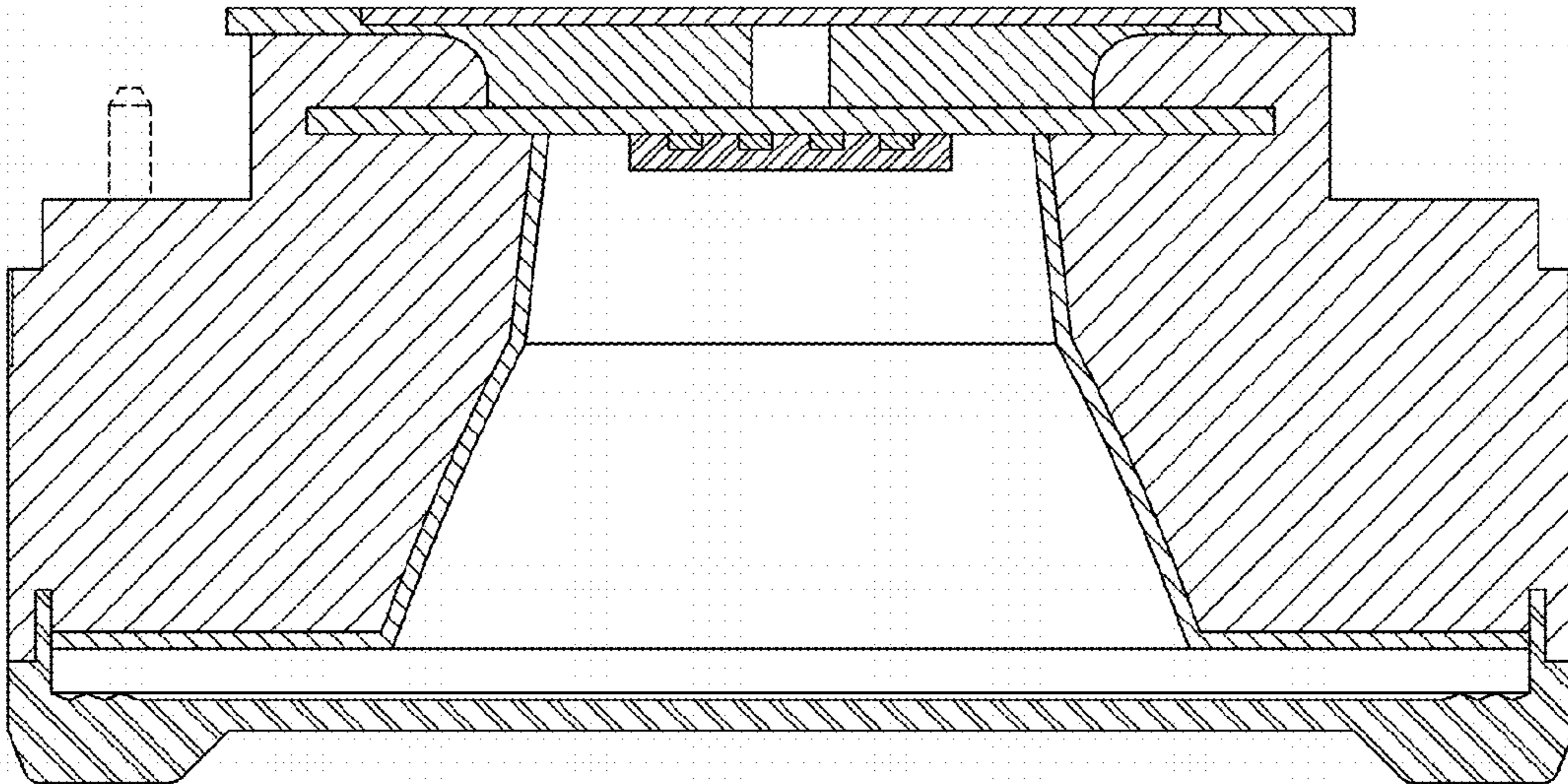


FIG. 18



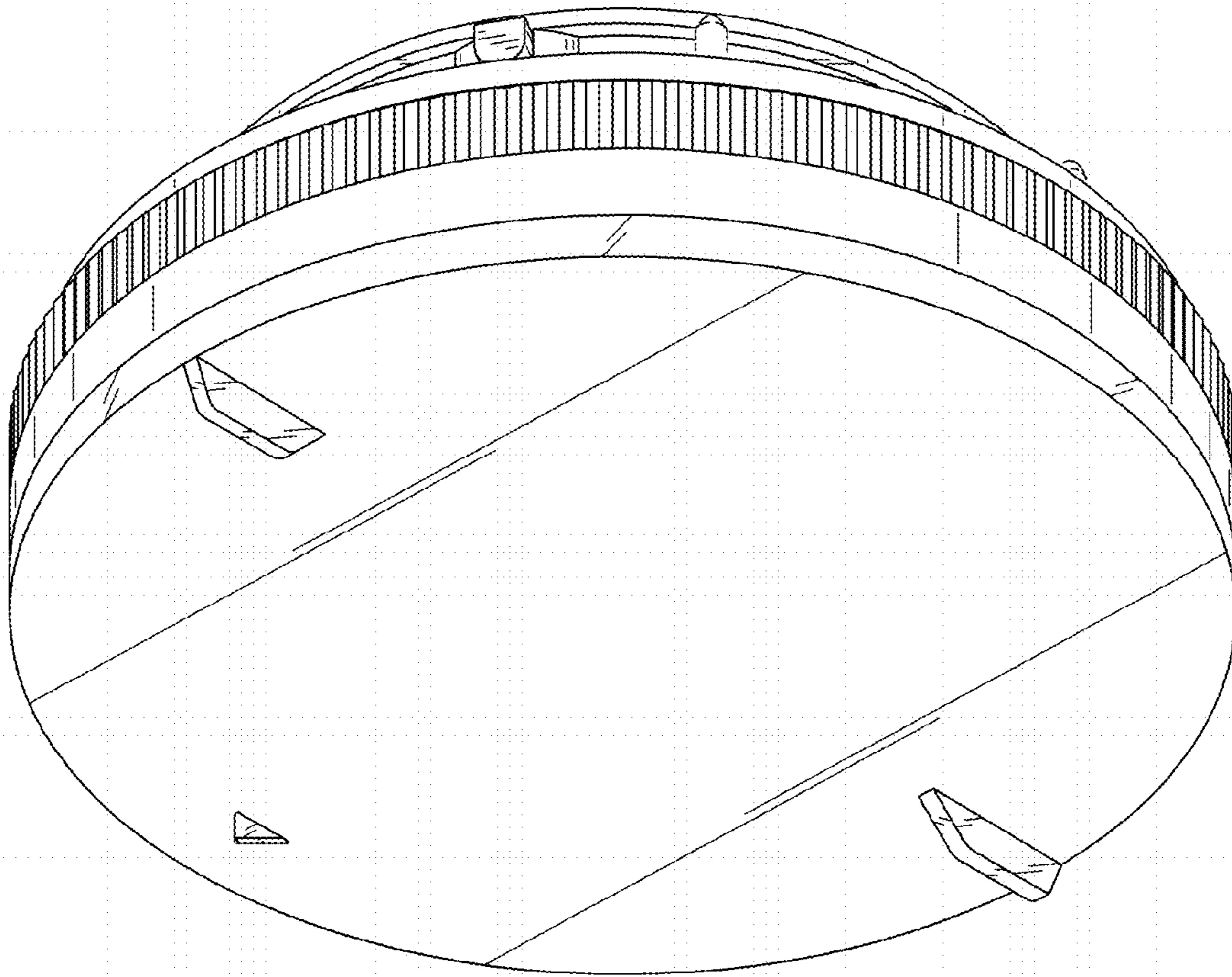


FIG. 19

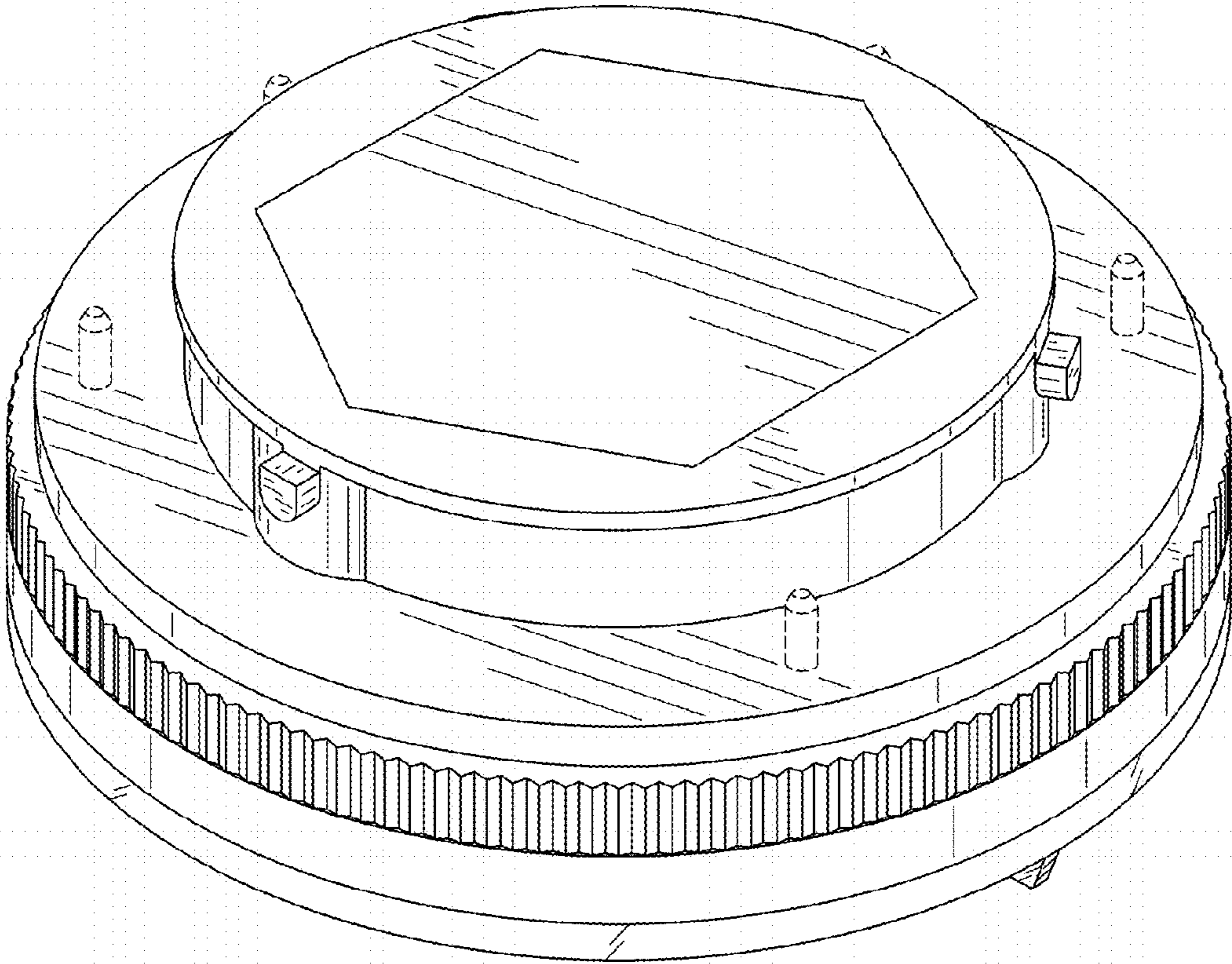


FIG. 20

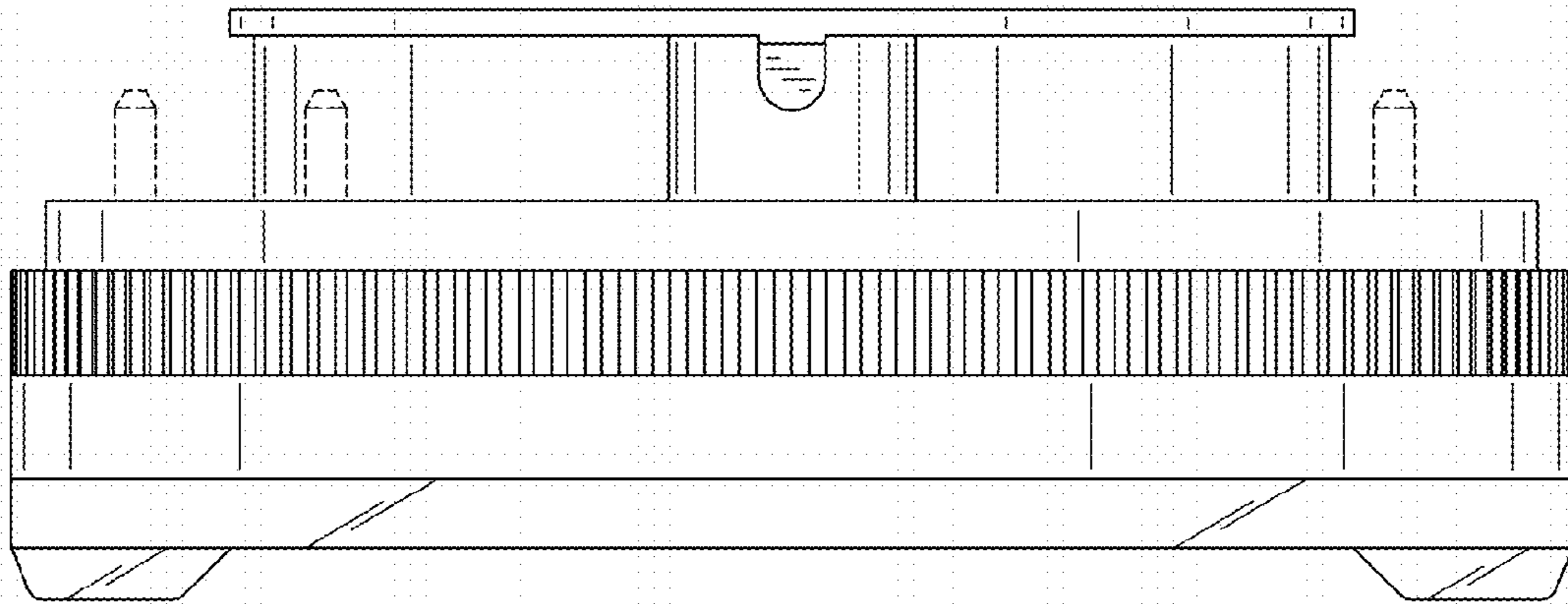


FIG. 21

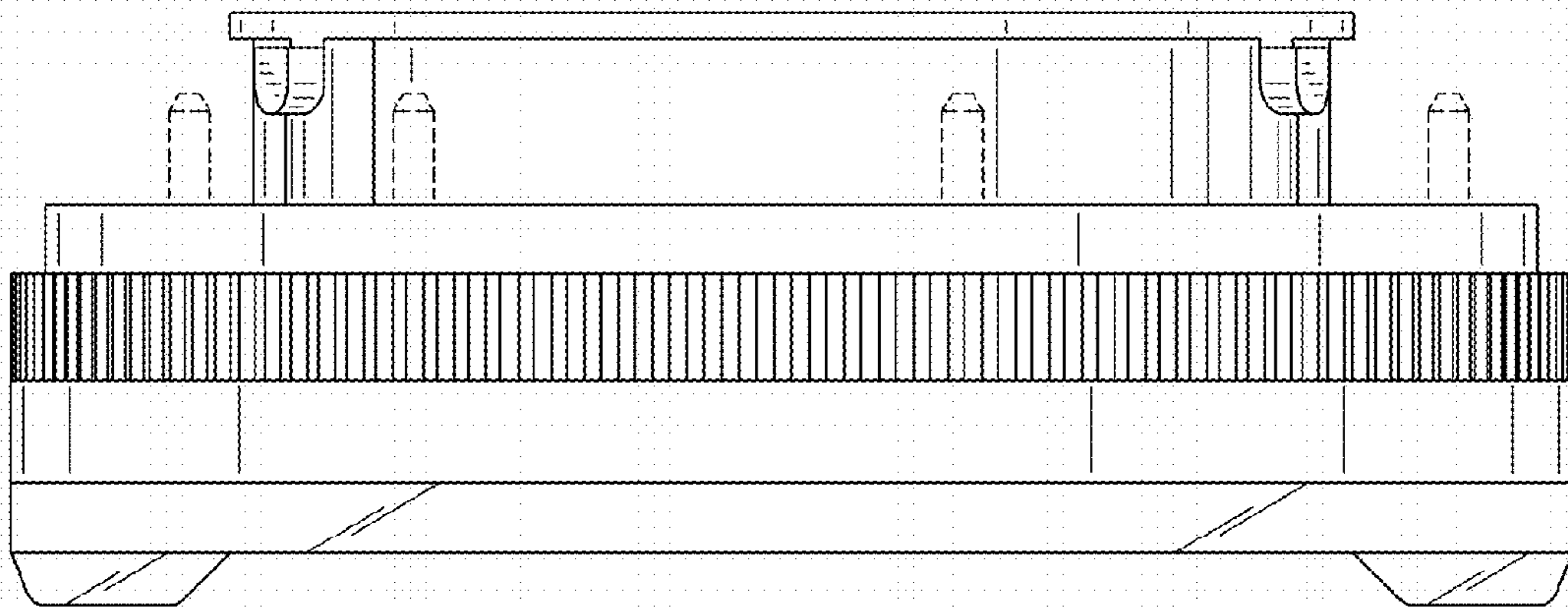


FIG. 22

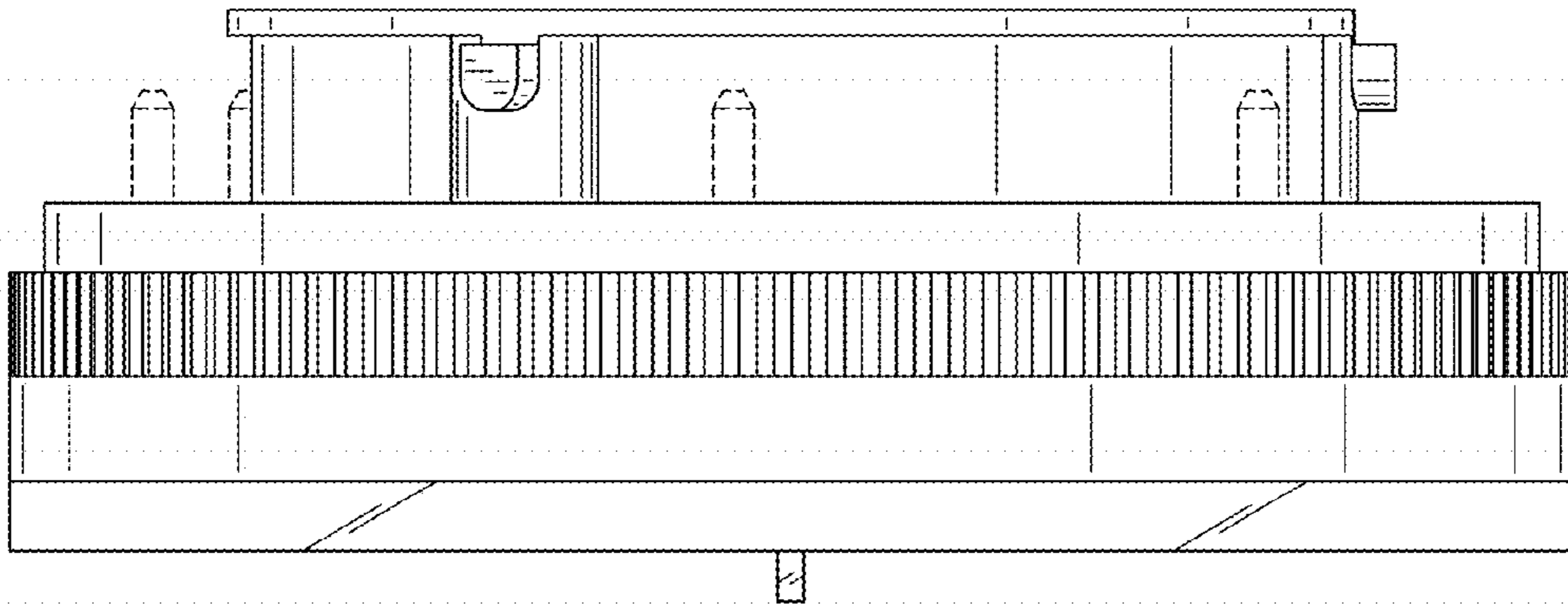


FIG. 23

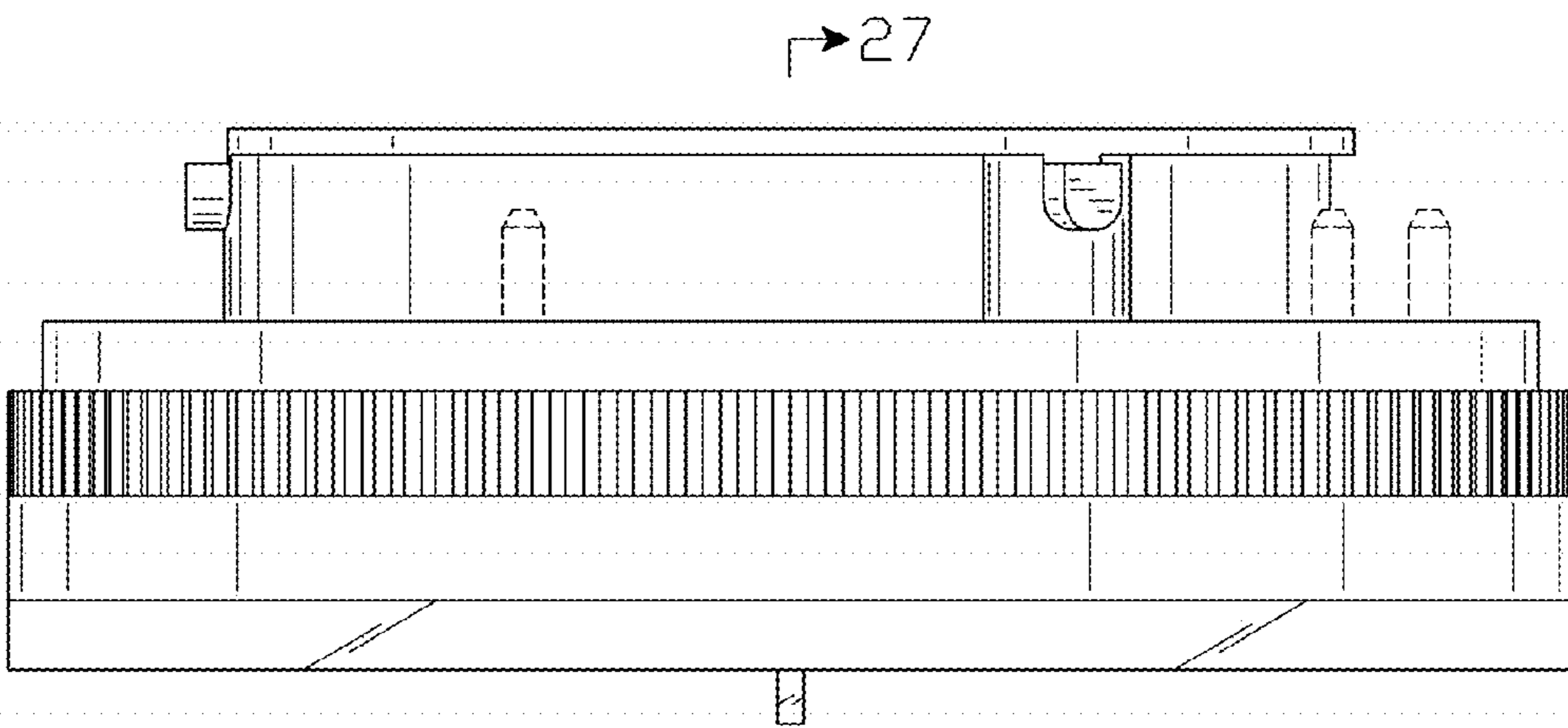


FIG. 24



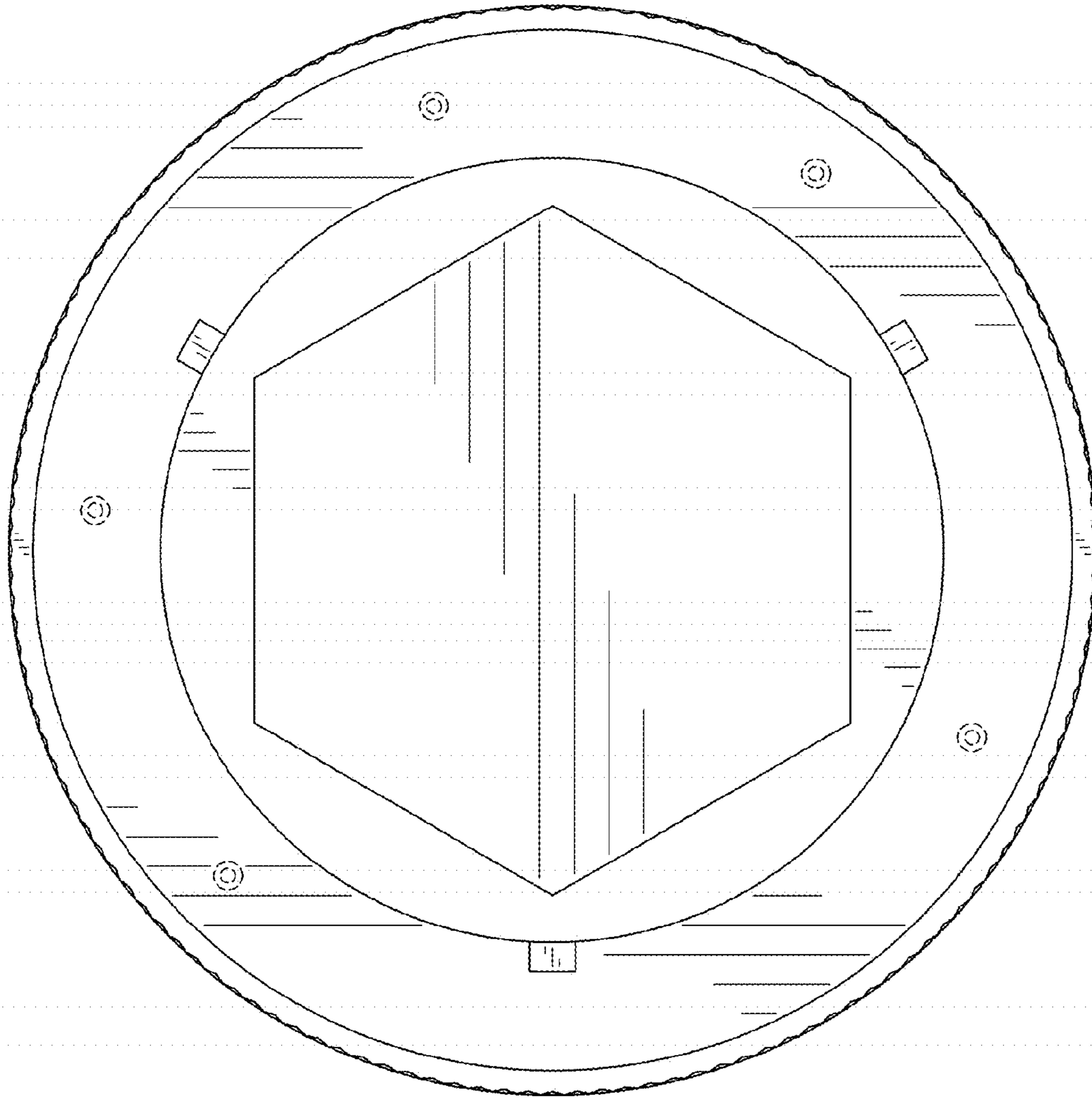


FIG. 25

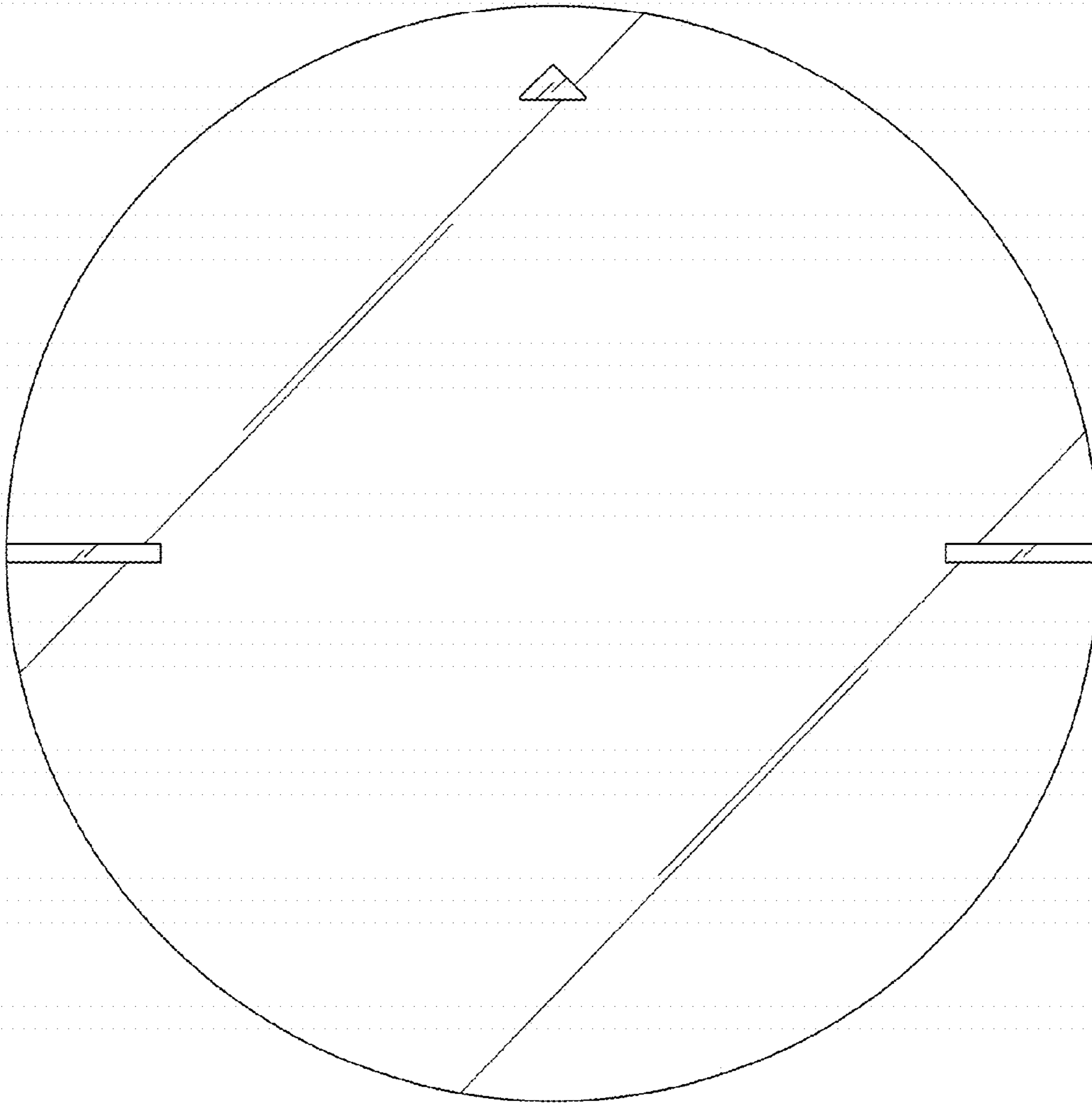


FIG. 26

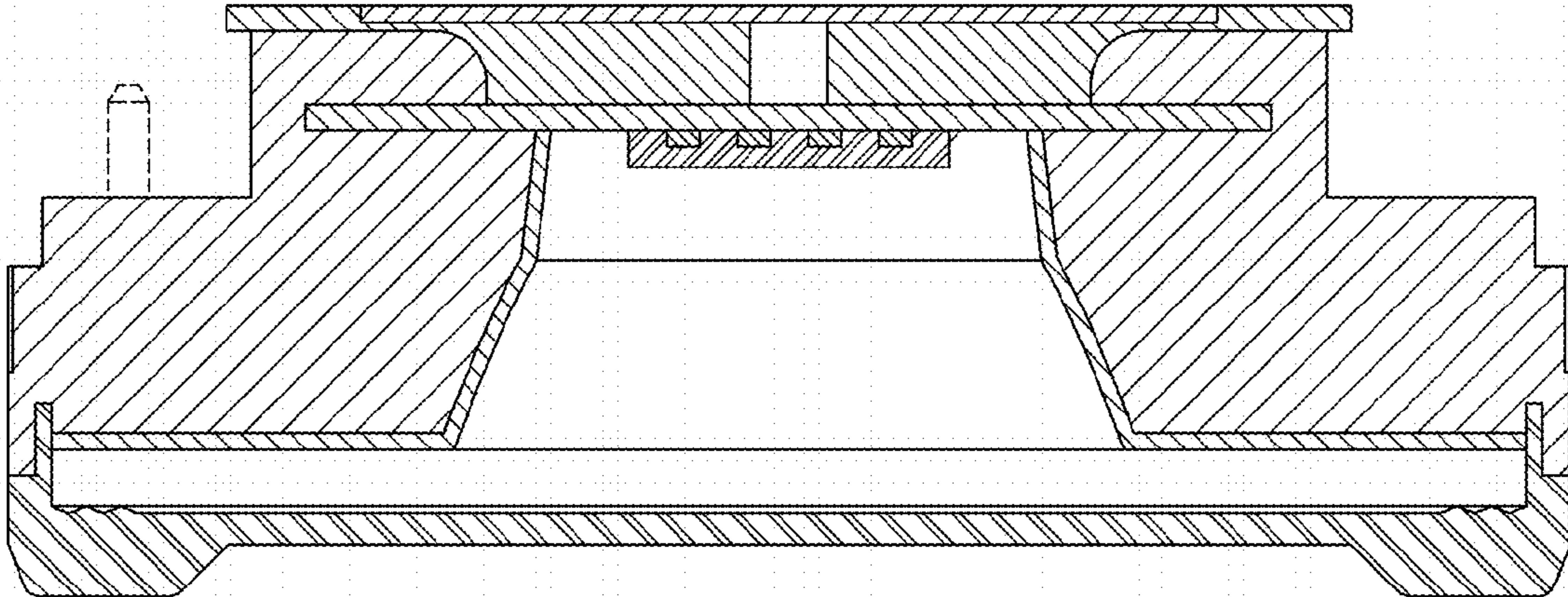


FIG. 27

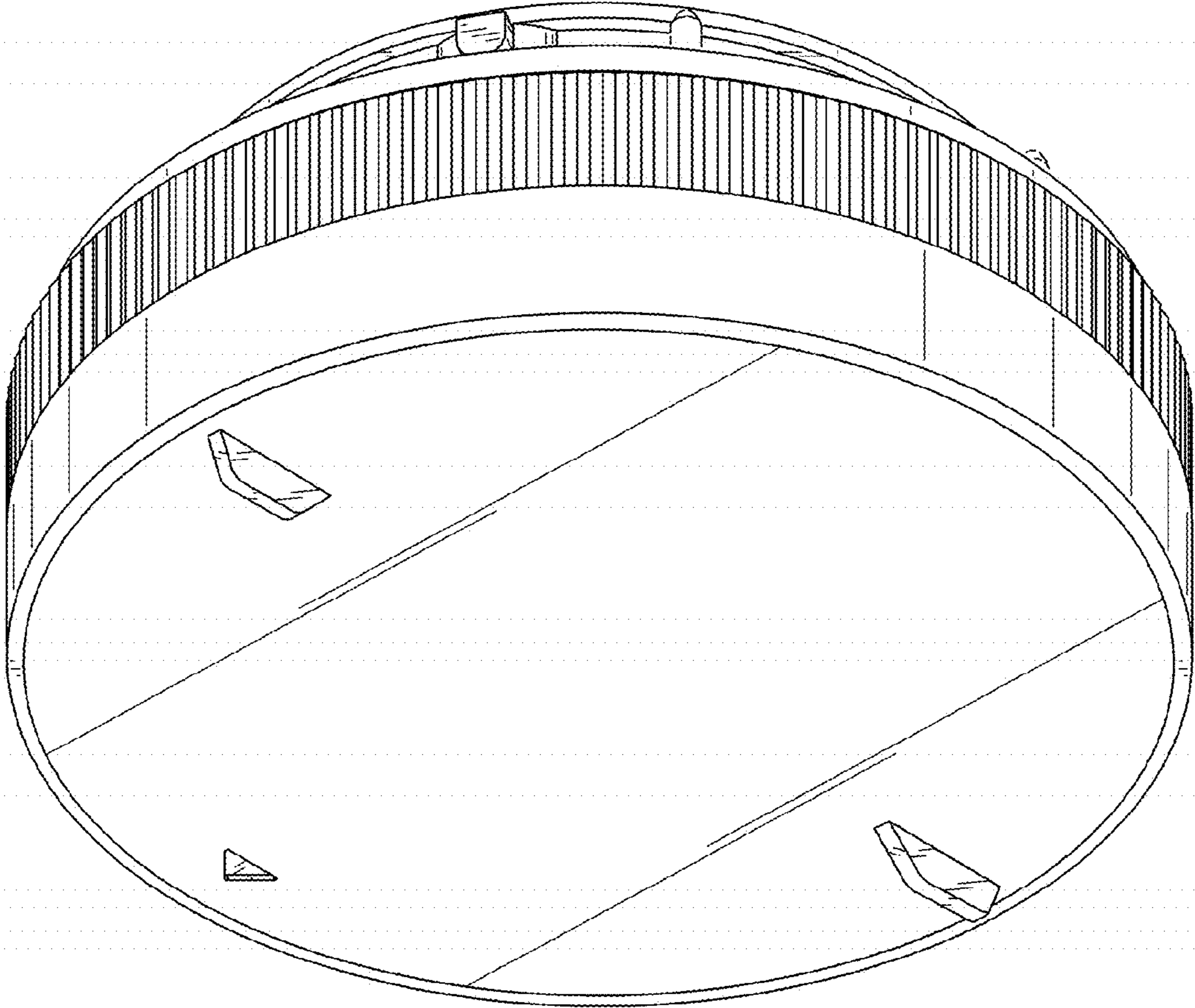


FIG. 28



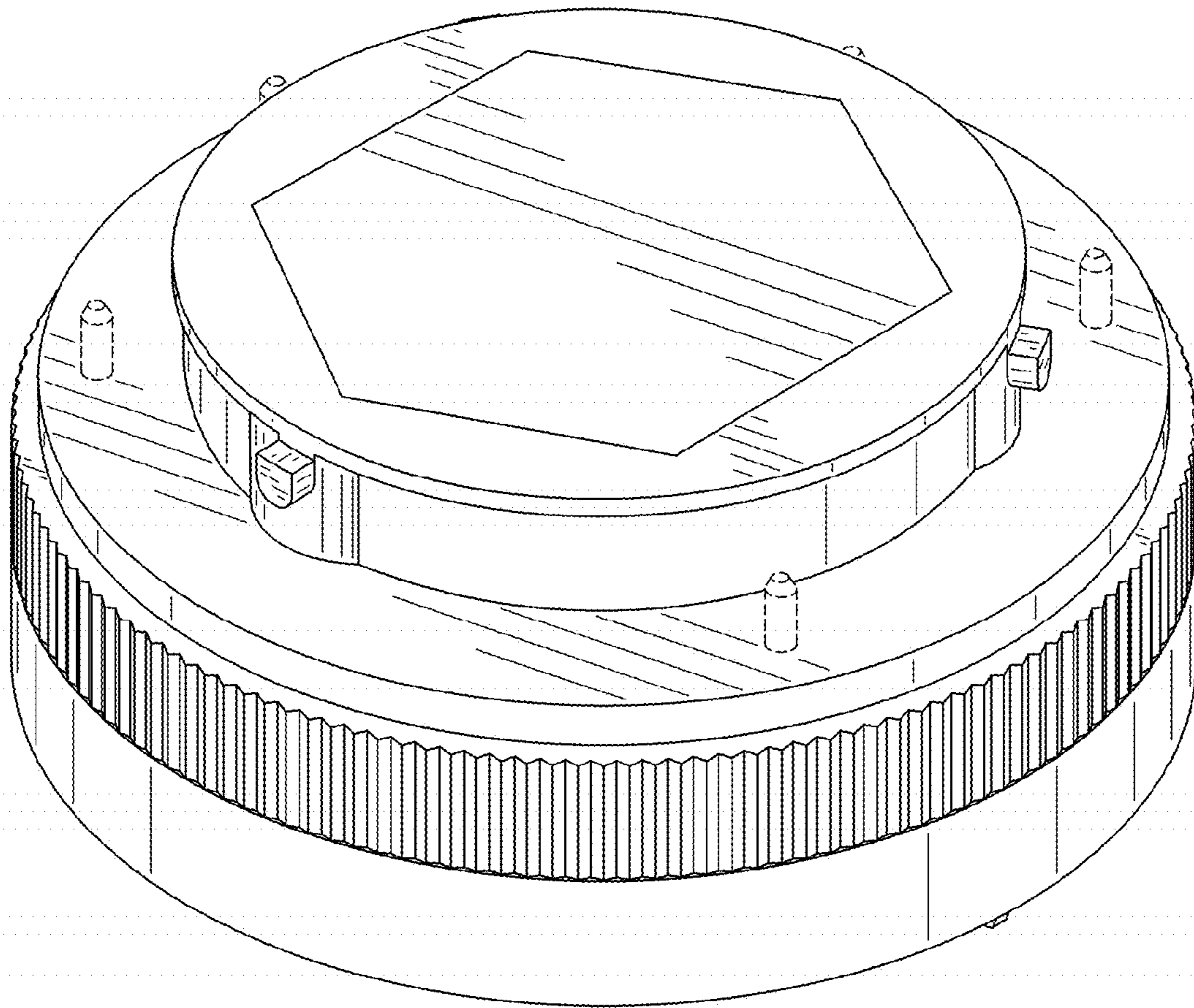


FIG. 29

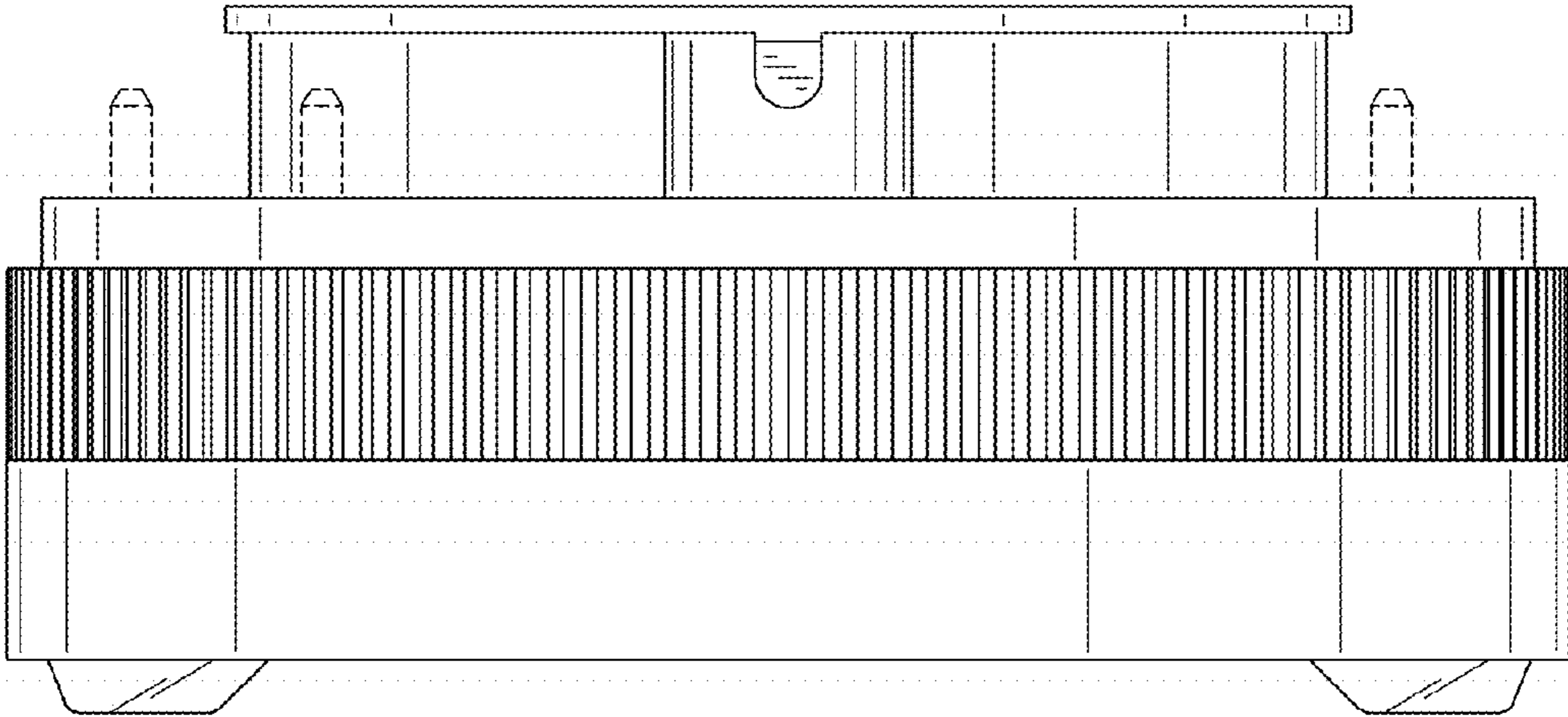


FIG. 30

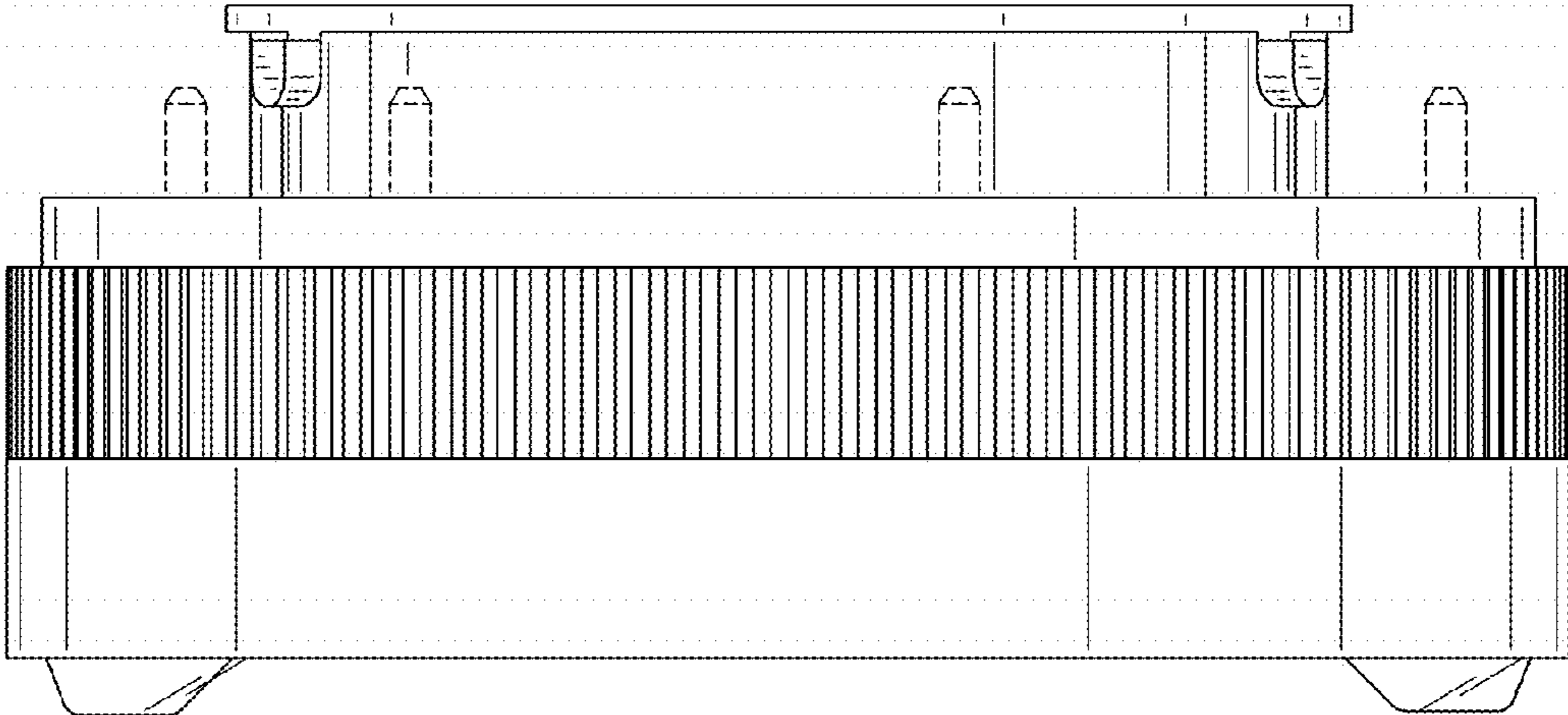


FIG. 31

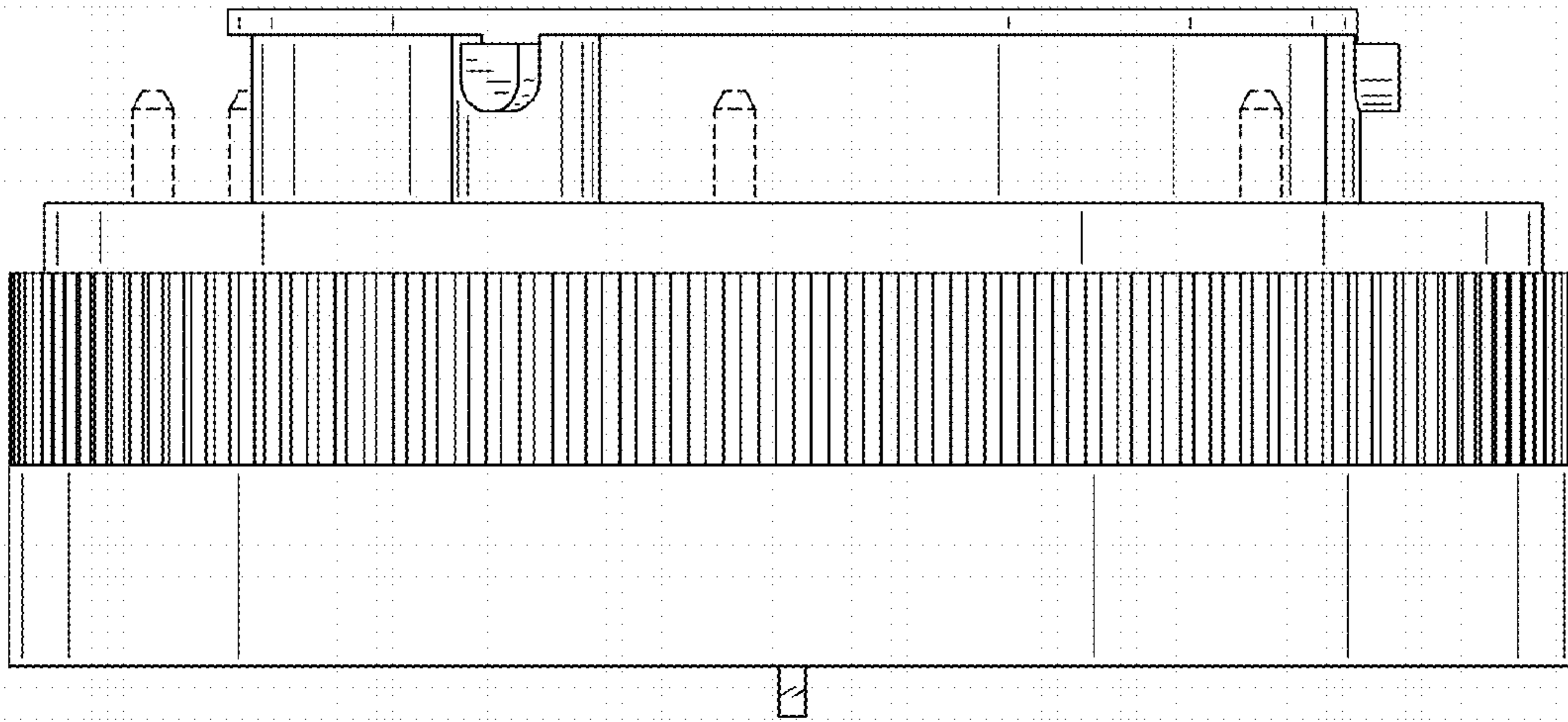


FIG. 32

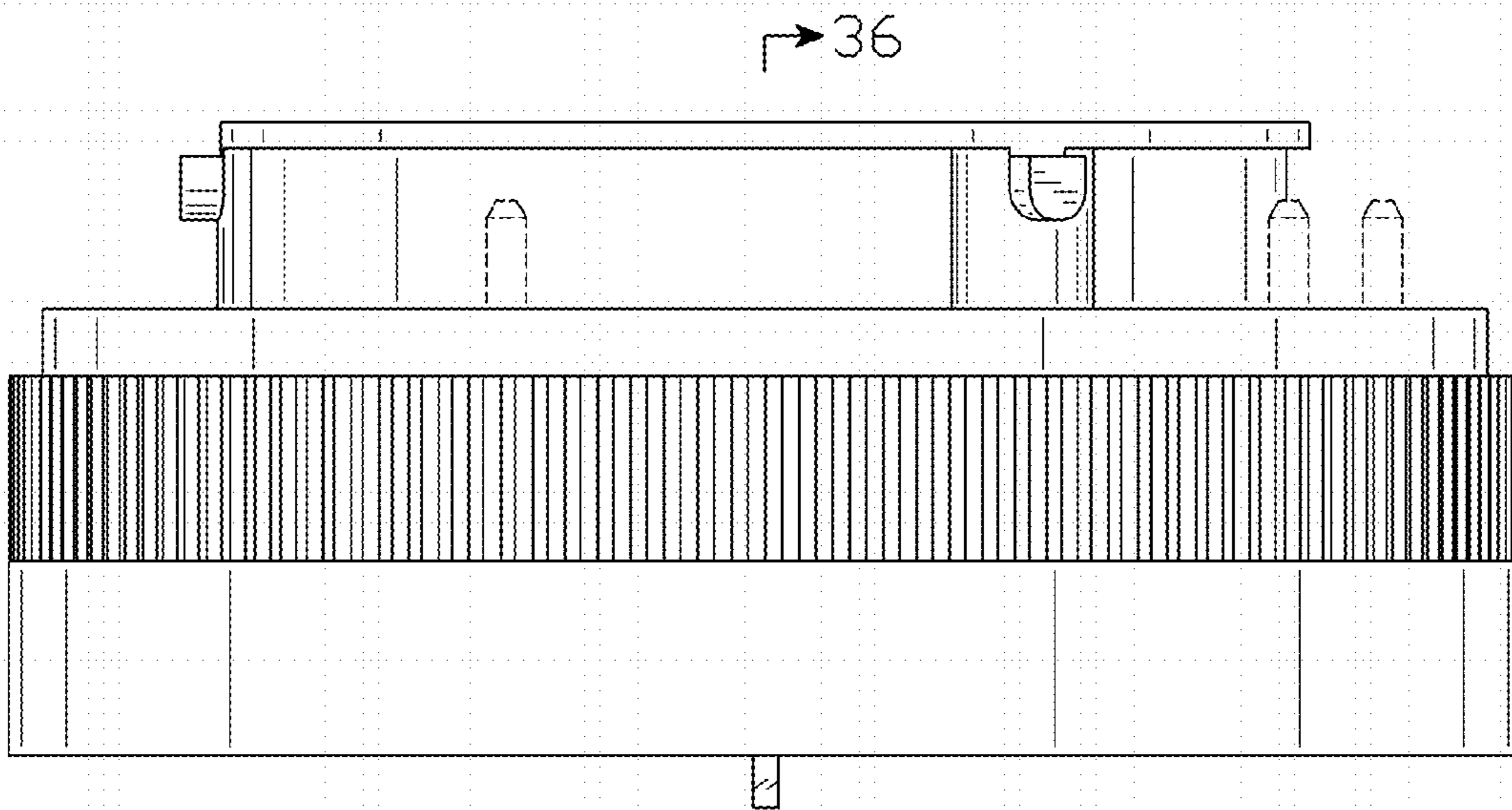


FIG. 33

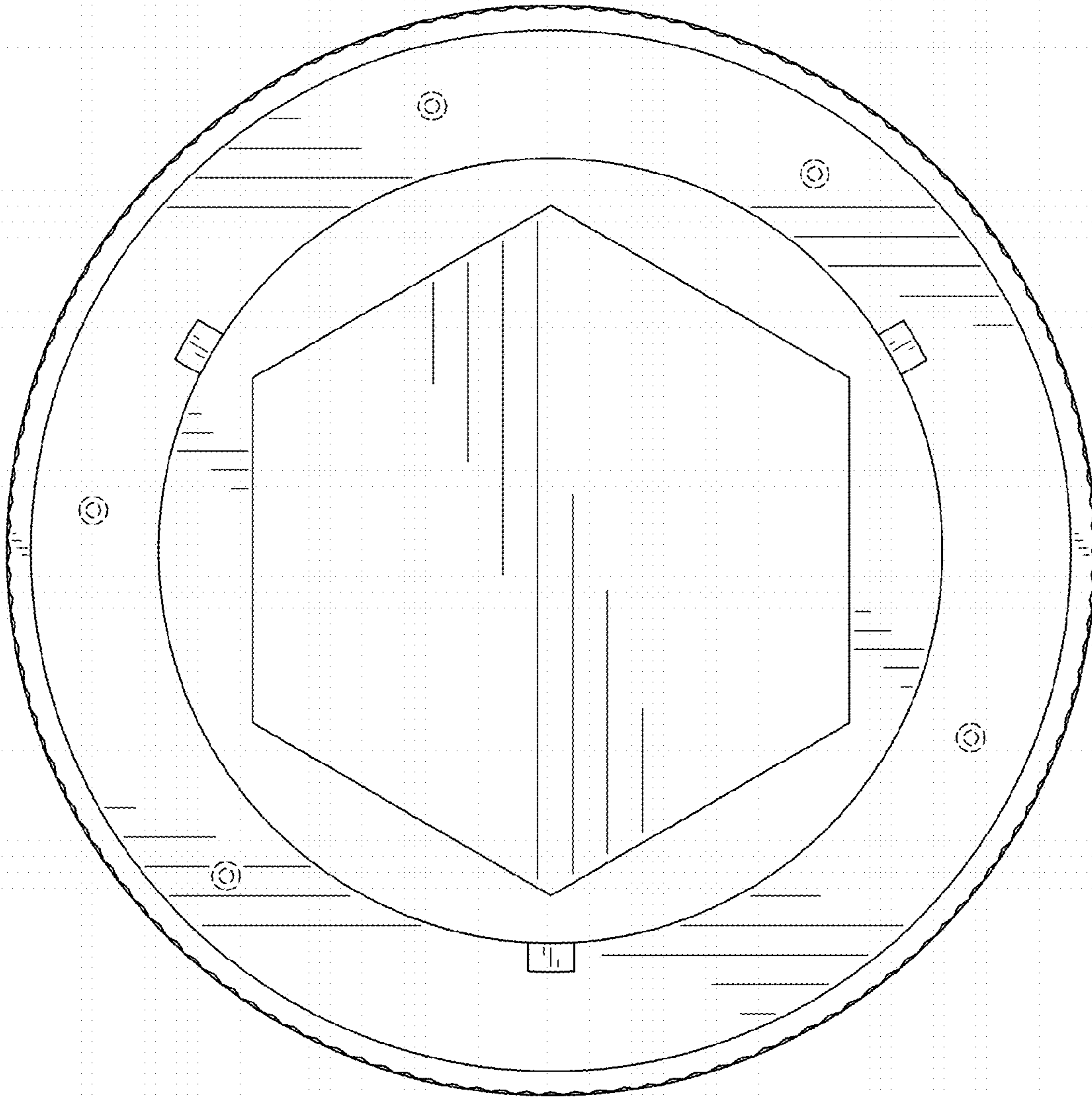


FIG. 34



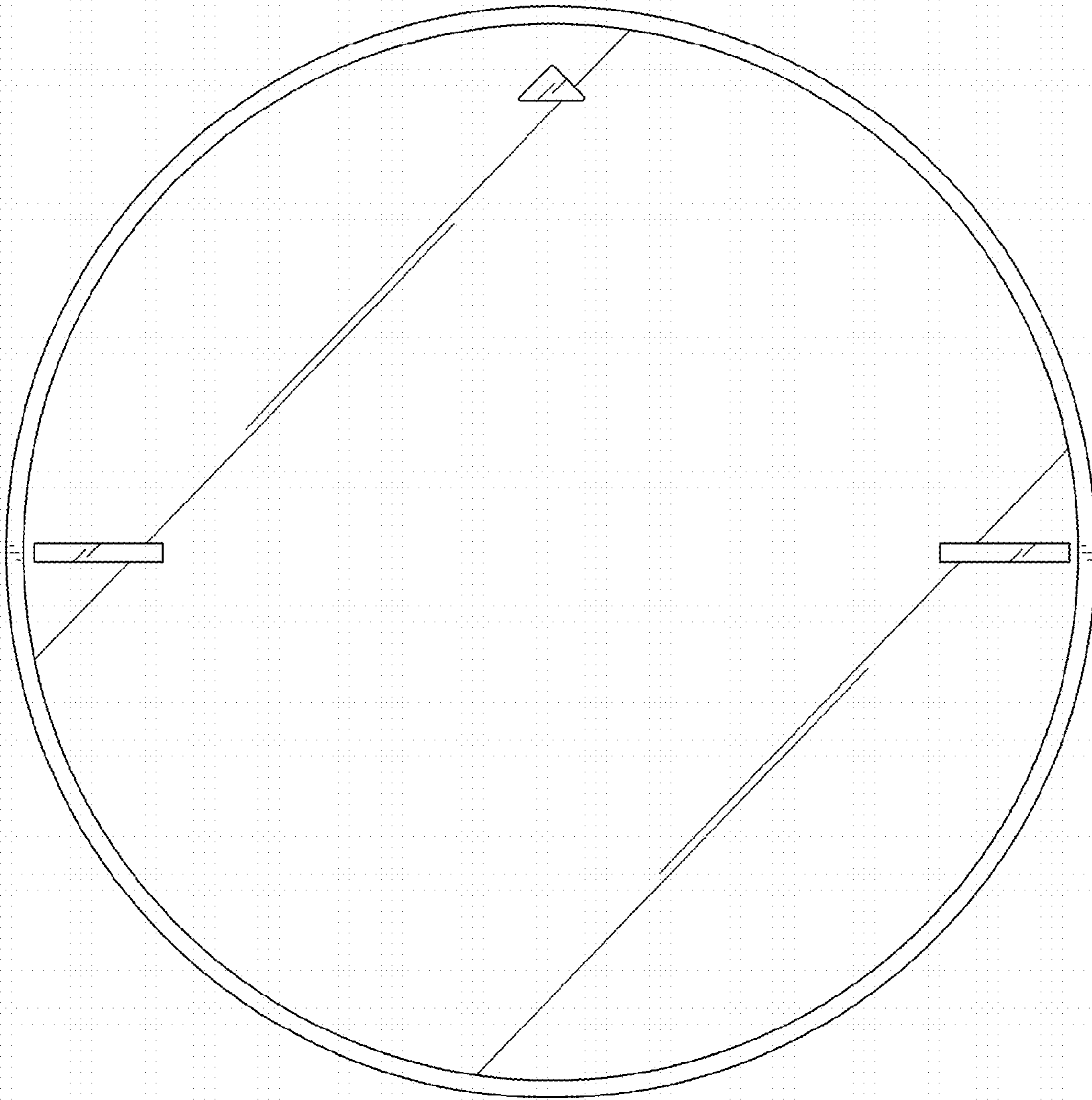


FIG. 35

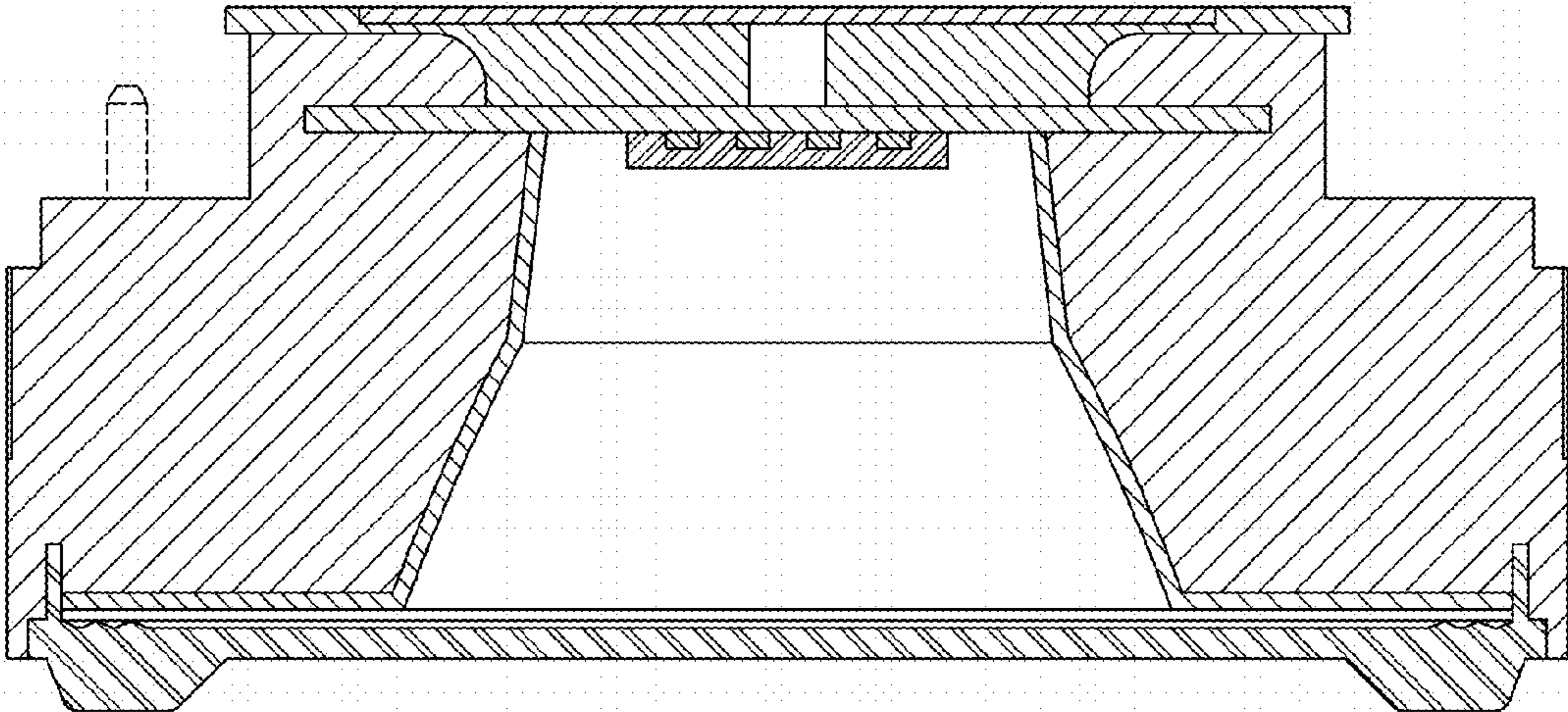


FIG. 36

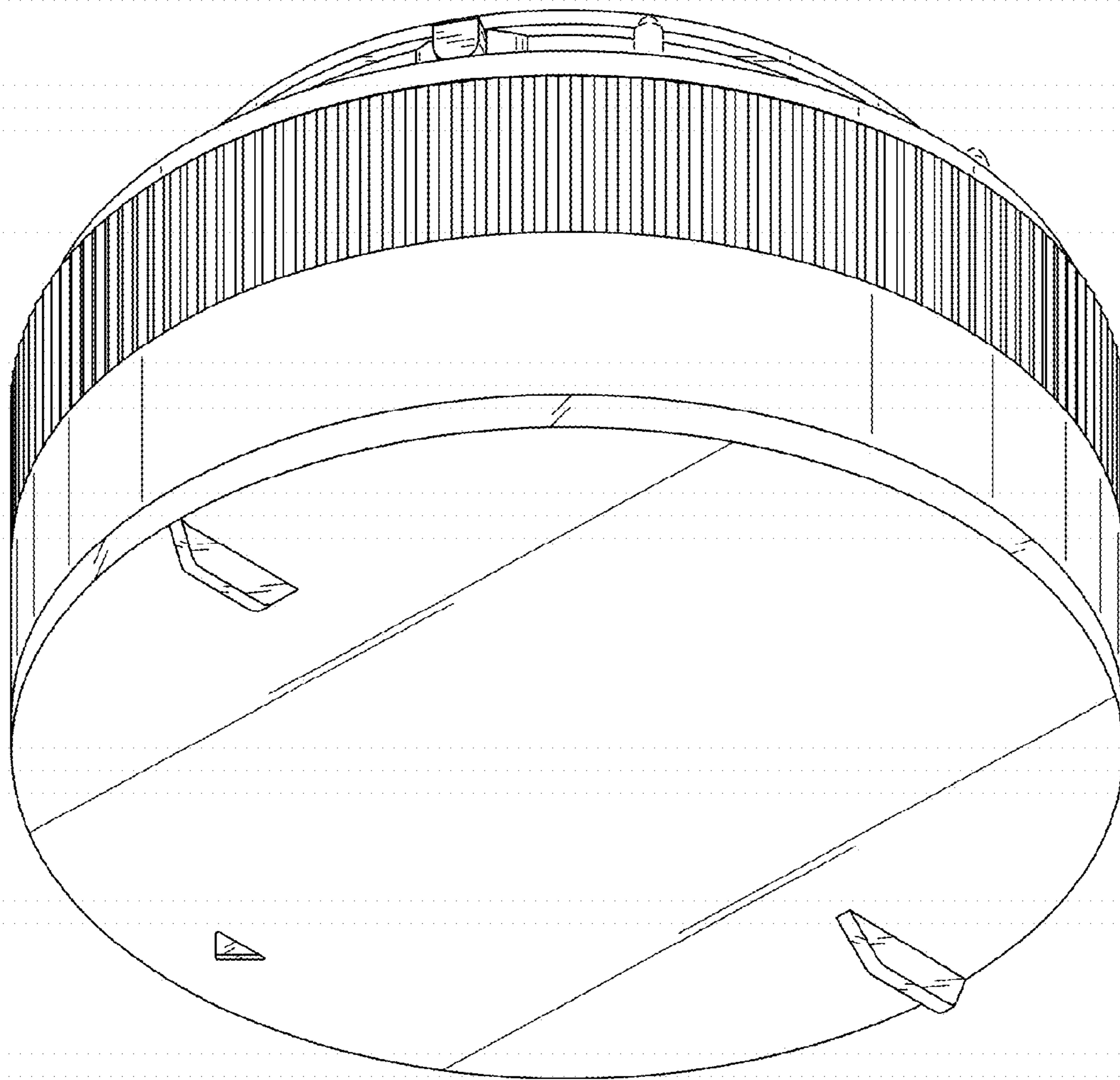


FIG. 37

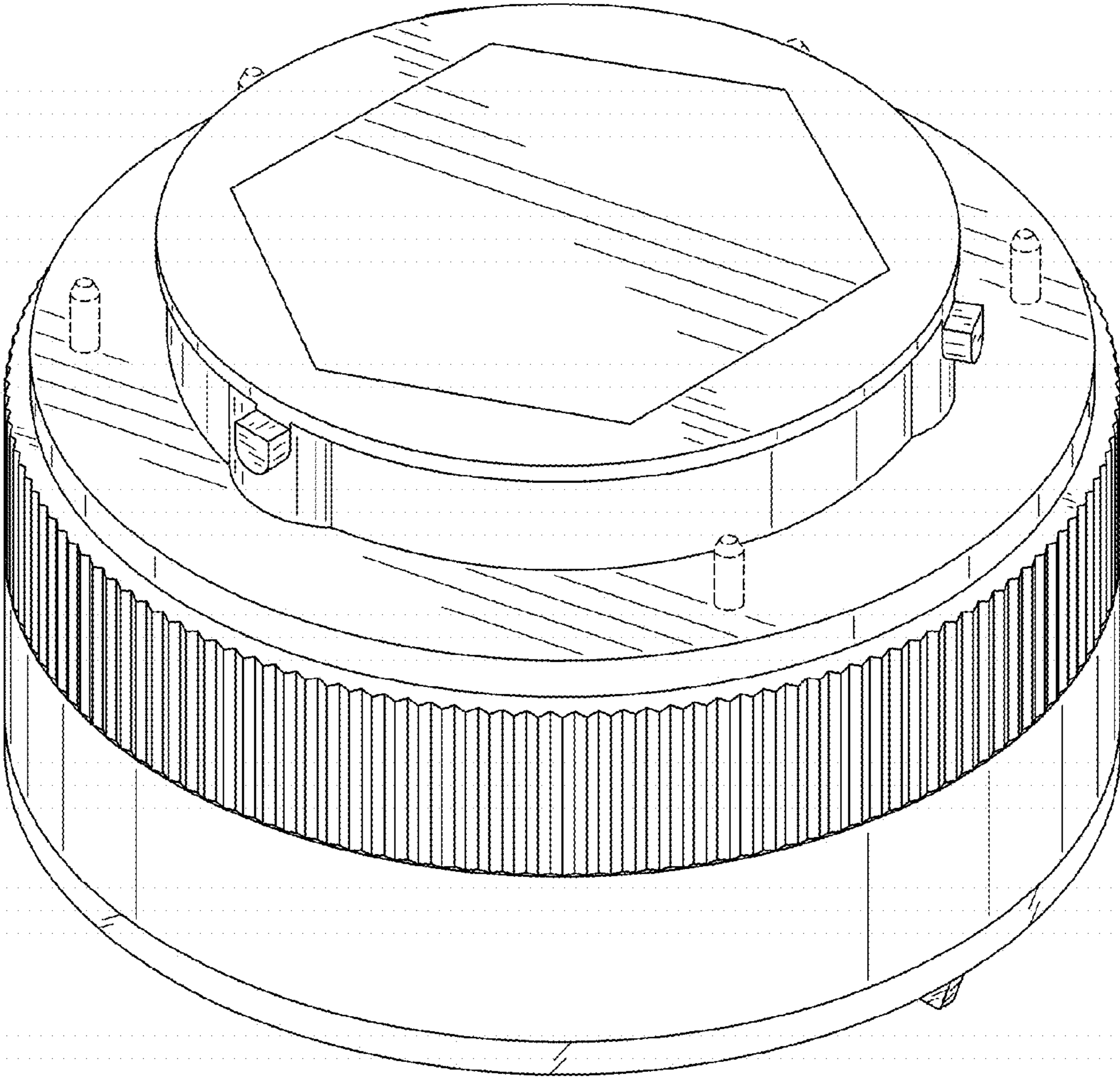


FIG. 38



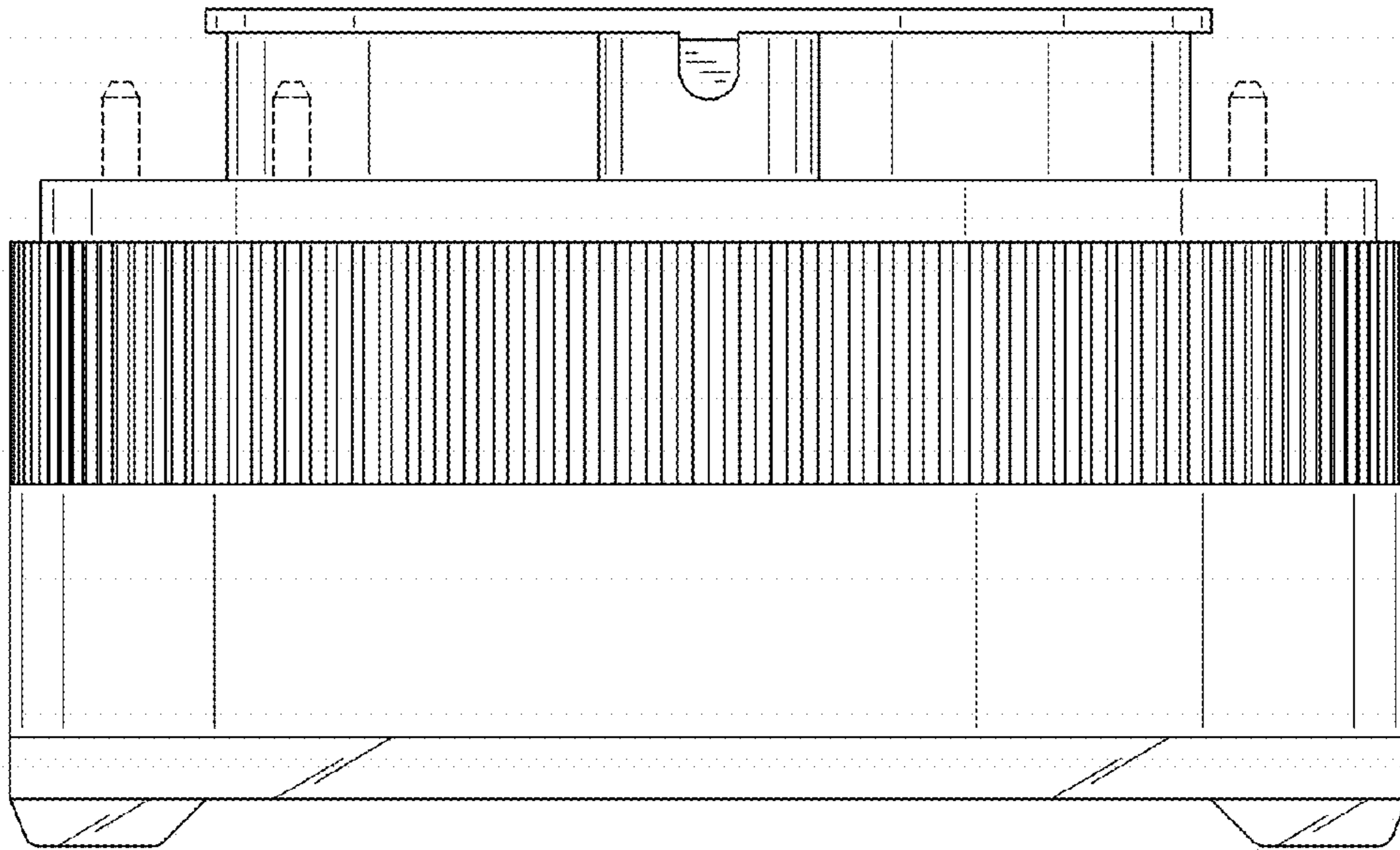


FIG. 39

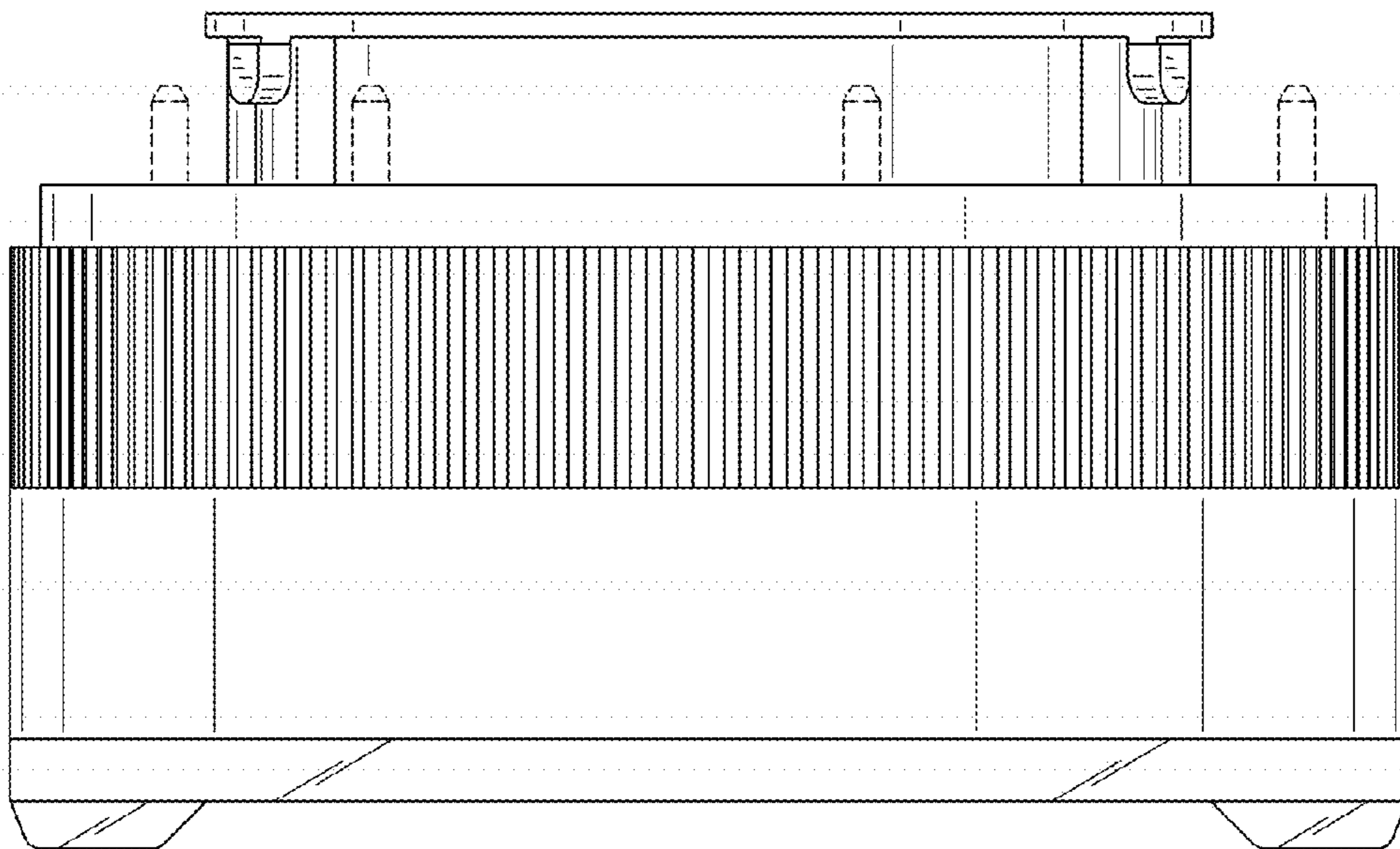


FIG. 40

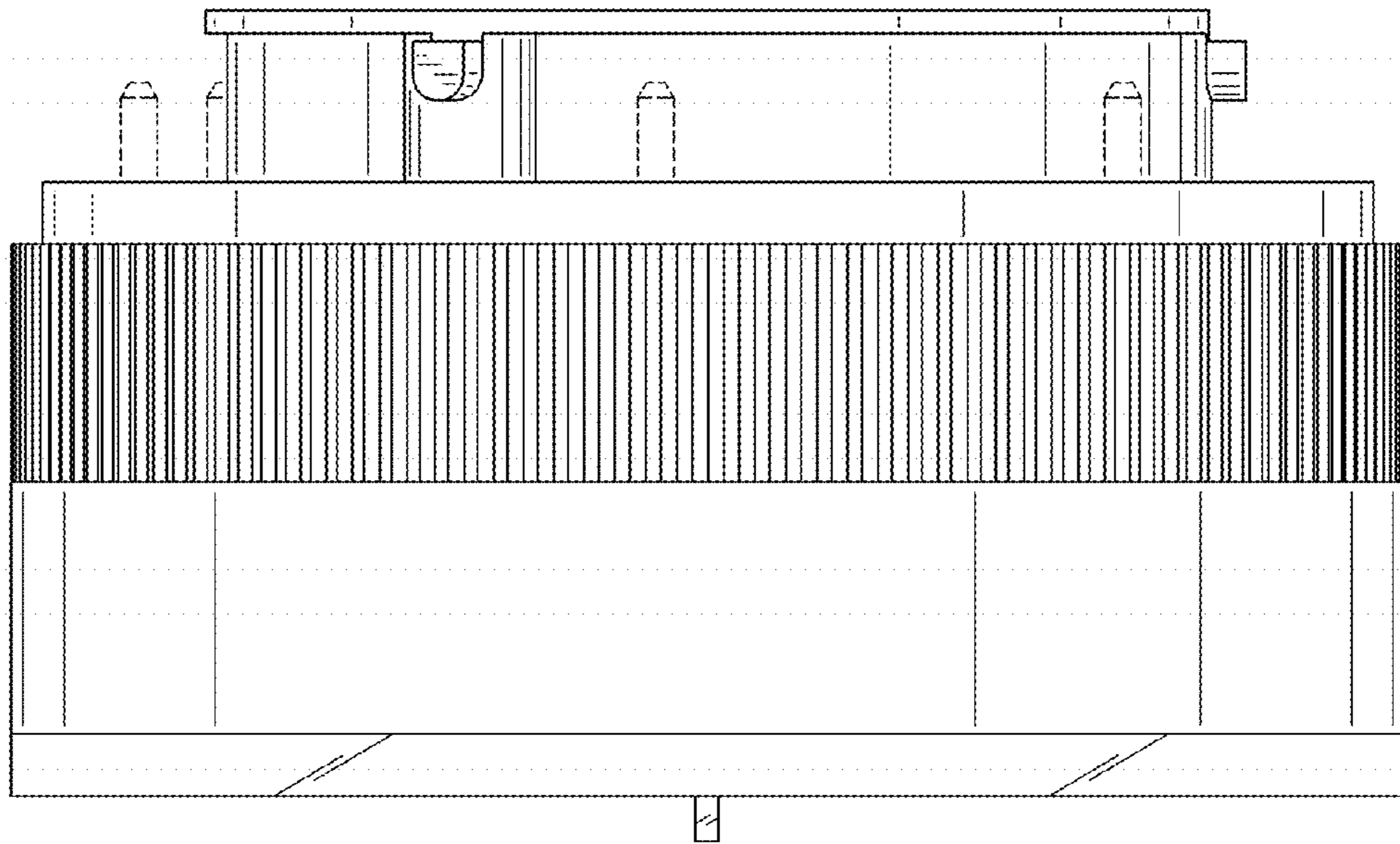
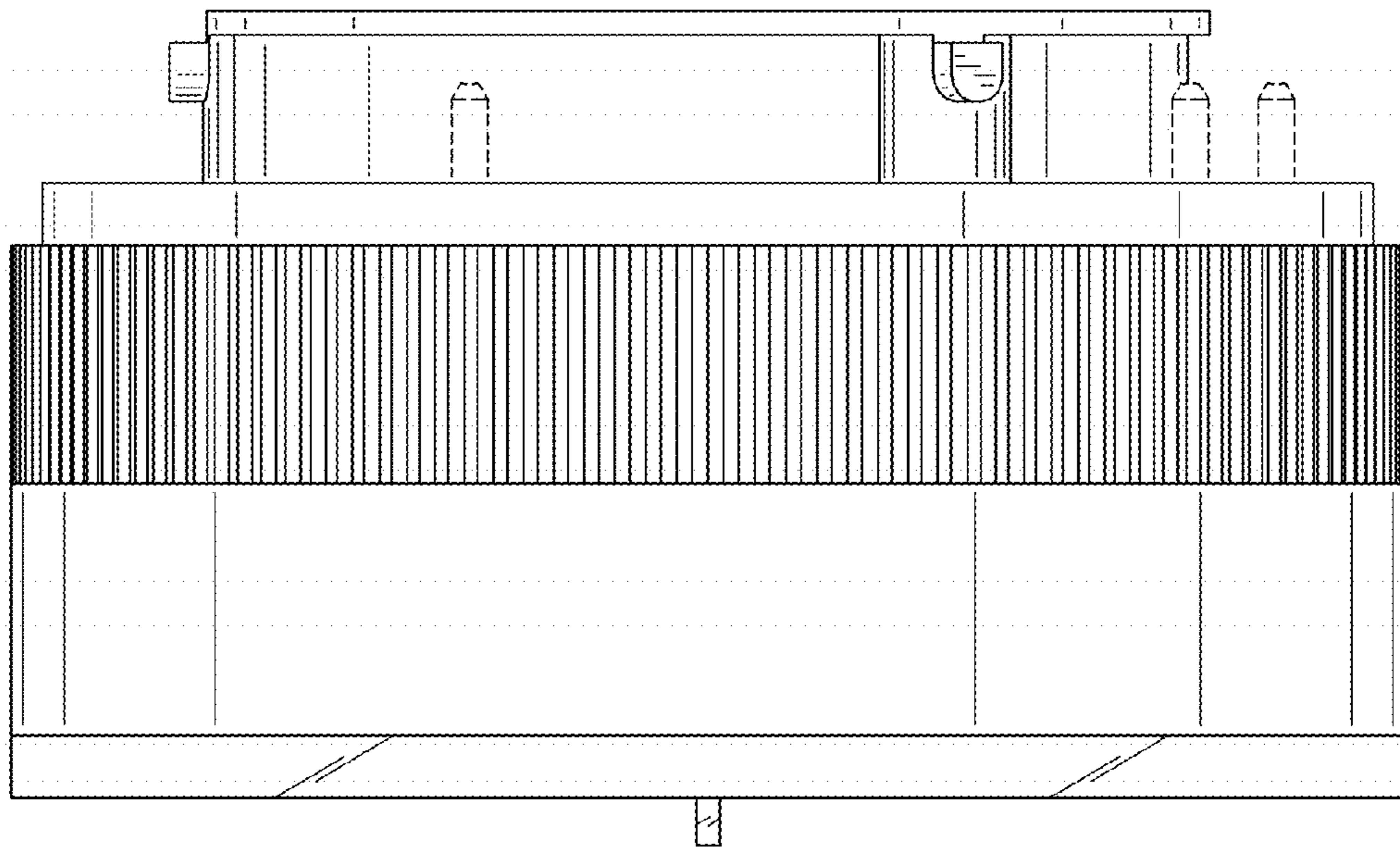


FIG. 41

→ 45



→ 45

FIG. 42

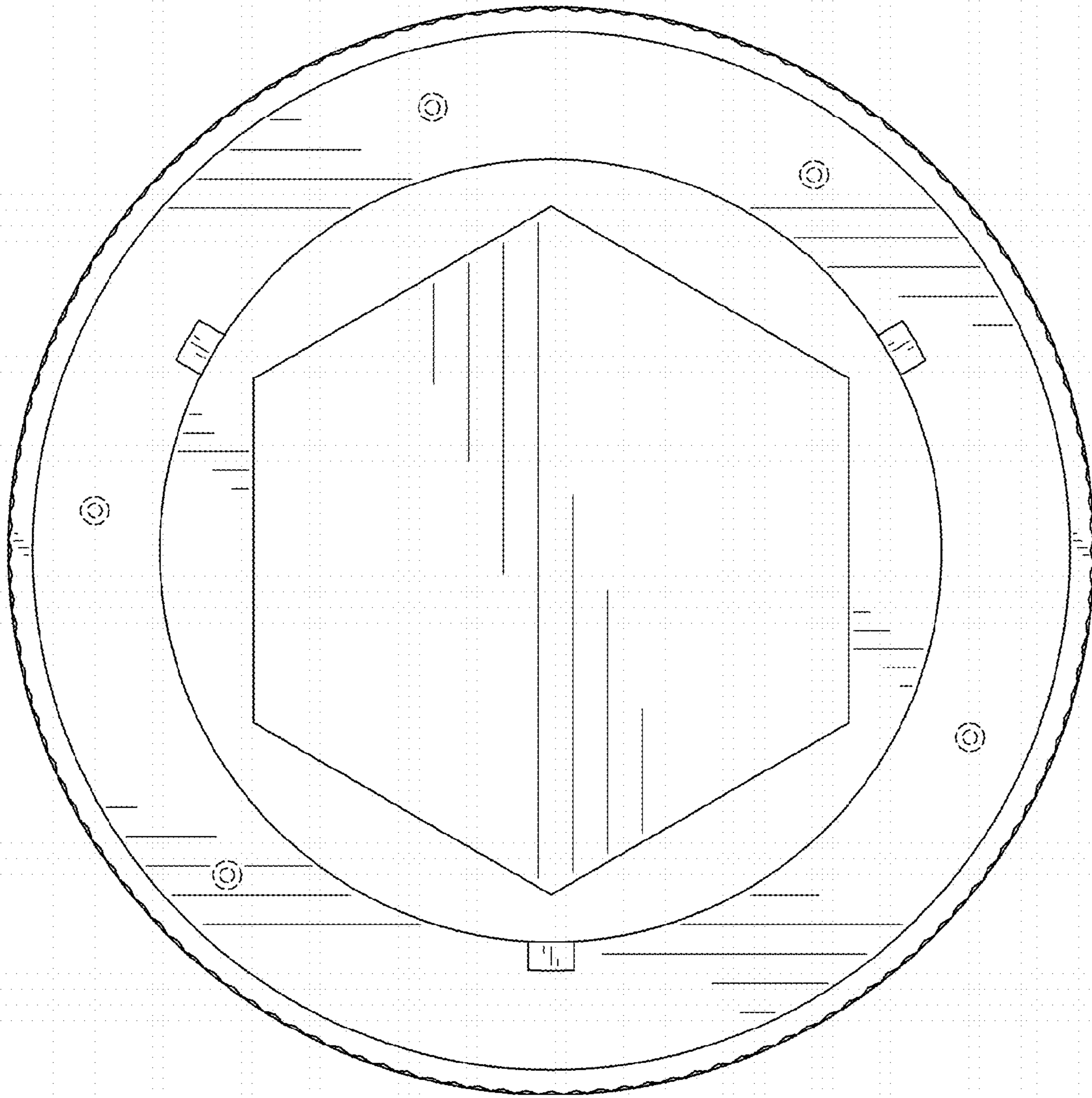


FIG. 43

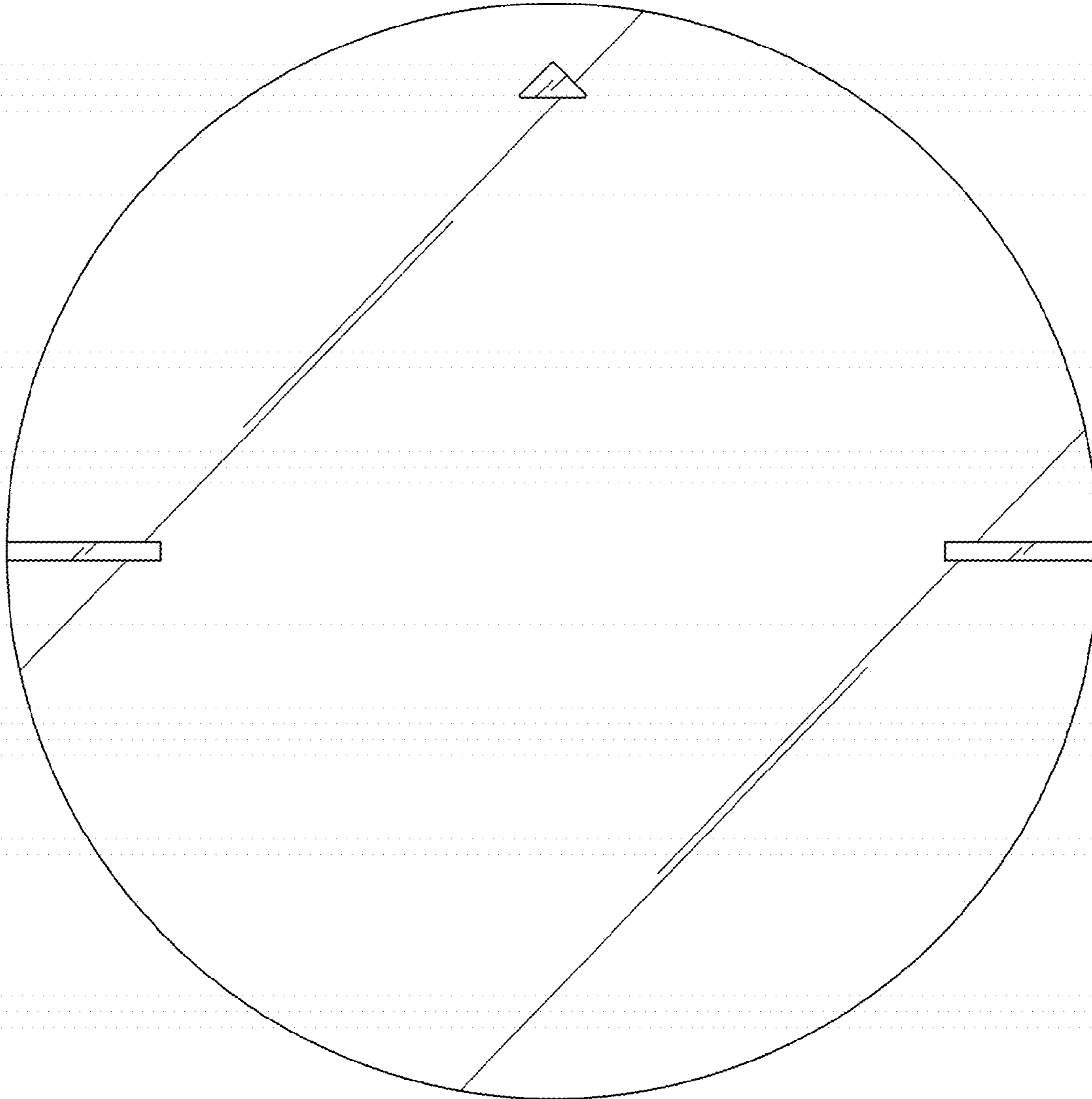


FIG. 44



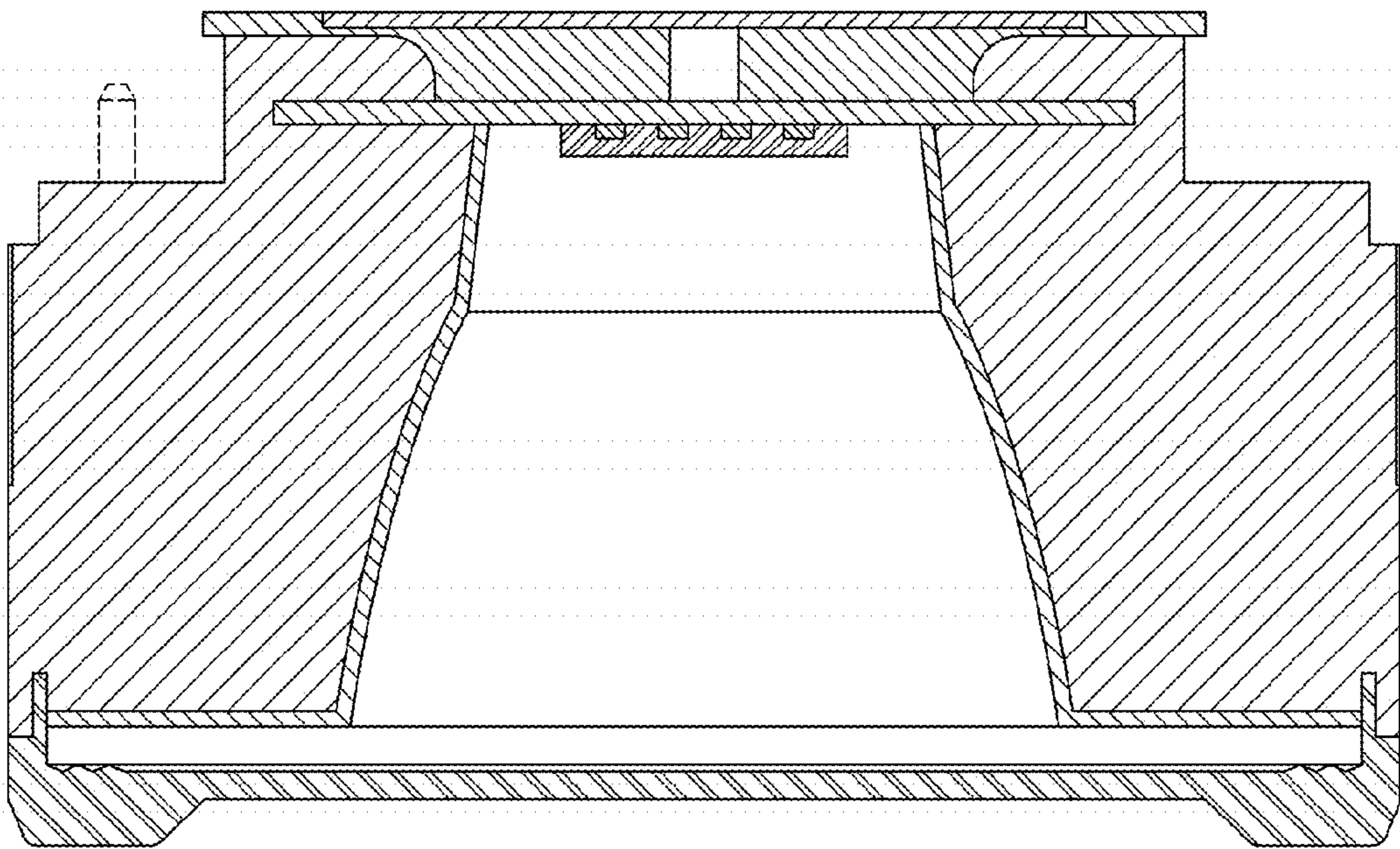


FIG. 45