



US00D685503S

(12) **United States Design Patent**
Gardner

(10) **Patent No.:** **US D685,503 S**
(45) **Date of Patent:** **** Jul. 2, 2013**

(54) **STAIR NOSING COVER**

(76) Inventor: **William Gardner**, Silverton, OR (US)

(**) Term: **14 Years**

(21) Appl. No.: **29/420,042**

(22) Filed: **May 3, 2012**

Related U.S. Application Data

(63) Continuation-in-part of application No. 13/368,699, filed on Feb. 8, 2012.

(51) **LOC (9) Cl.** **25-01**

(52) **U.S. Cl.**
USPC **D25/119; D25/69**

(58) **Field of Classification Search**
USPC **D25/119, 69; 52/177, 179**
See application file for complete search history.

(56) **References Cited**

U.S. PATENT DOCUMENTS

1,611,211 A * 12/1926 Loehr 52/179
1,681,073 A 8/1928 Welcome

(Continued)

FOREIGN PATENT DOCUMENTS

EP 1302606 A1 4/2003
WO WO 2008/048114 A2 4/2008

Primary Examiner — Doris Clark

(74) *Attorney, Agent, or Firm* — Klarquist Sparkman, LLP

(57) **CLAIM**

I claim the ornamental design for a stair nosing cover, as shown and described.

DESCRIPTION

FIG. 1 is a perspective view of one embodiment of a stair nosing cover, as viewed from the front, above, and one side. FIG. 2 is a top plan view of the stair nosing cover of FIG. 1.

FIG. 3 is a bottom plan view of the stair nosing cover of FIG. 1.

FIG. 4 is a side elevation view of the first side of the stair nosing cover of FIG. 1.

FIG. 5 is a side elevation view of the second side of the stair nosing cover of FIG. 1.

FIG. 6 is a rear elevation view of the stair nosing cover of FIG. 1.

FIG. 7 is a front elevation view of the stair nosing cover of FIG. 1.

FIG. 8 is a perspective view of an exemplary stair nosing cover, as viewed from the front, above, and one side, shown attached to an exemplary stair nosing.

FIG. 9 is a side elevation view of the first side of the stair nosing cover of FIG. 1, shown attached to an exemplary stair nosing.

FIG. 10 is a perspective view of another embodiment of the stair nosing cover, as viewed from the front, above, and one side.

FIG. 11 is a top plan view of the stair nosing cover of FIG. 10.

FIG. 12 is a bottom plan view of the stair nosing cover of FIG. 10.

FIG. 13 is a side elevation view of the first side of the stair nosing cover of FIG. 10.

FIG. 14 is a side elevation view of the second side of the stair nosing cover of FIG. 10.

FIG. 15 is a rear elevation view of the stair nosing cover of FIG. 10.

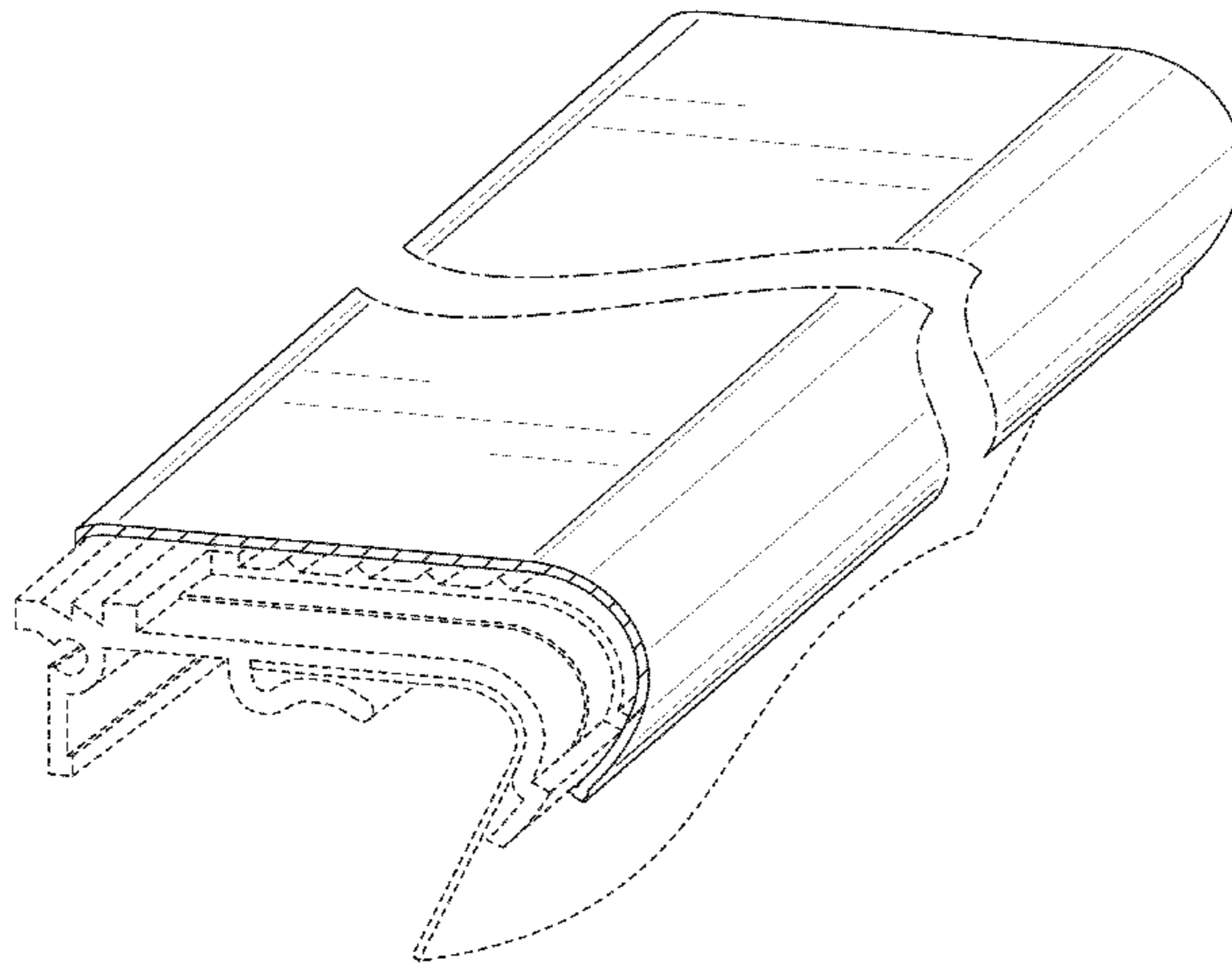
FIG. 16 is a front elevation view of the stair nosing cover of FIG. 10.

FIG. 17 is a perspective view of the stair nosing cover of FIG. 10, as viewed from the front, above, and one side, shown attached to an exemplary stair nosing; and,

FIG. 18 is a side elevation view of the first side of the stair nosing cover of FIG. 10, shown attached to an exemplary stair nosing.

The dashed lines in the drawings are for illustrative purposes only and form no part of the claimed design. The short dash, long dash lines in the drawings indicate that the embodiments shown are of an indeterminate length.

1 Claim, 14 Drawing Sheets



US D685,503 S

Page 2

U.S. PATENT DOCUMENTS

| | | | | | |
|-------------|---------|---------------|-----------------|---------|-----------------------|
| 1,966,402 A | 7/1934 | Barringer | 4,879,151 A | 11/1989 | Ellingson, Jr. |
| 2,265,735 A | 12/1941 | Lambert | 4,905,431 A | 3/1990 | Davis |
| 2,835,937 A | 5/1958 | Hobbs | 5,073,430 A | 12/1991 | Aidan |
| 2,999,280 A | 9/1961 | Miller | 5,103,608 A | 4/1992 | Andreo |
| 3,334,456 A | 8/1967 | Naka | 5,461,836 A | 10/1995 | Yang |
| 3,421,274 A | 1/1969 | Balzer et al. | 5,787,674 A * | 8/1998 | Nelson 52/741.2 |
| 3,759,000 A | 9/1973 | Balzer et al. | 5,904,017 A | 5/1999 | Glatz et al. |
| 4,001,991 A | 1/1977 | Balzer et al. | 6,141,920 A | 11/2000 | Kemper |
| 4,037,374 A | 7/1977 | Balzer et al. | D447,249 S | 8/2001 | Chang et al. |
| 4,058,942 A | 11/1977 | Naka | 6,554,446 B1 | 4/2003 | Walsh et al. |
| 4,112,641 A | 9/1978 | Balzer | 6,606,827 B1 | 8/2003 | Hoffmann |
| 4,321,293 A | 3/1982 | Naka | D505,211 S | 5/2005 | Stanchfield |
| 4,321,294 A | 3/1982 | Naka | D621,961 S * | 8/2010 | Gardner D25/119 |
| 4,455,797 A | 6/1984 | Naka | 2005/0039409 A1 | 2/2005 | Sondermann |
| 4,486,987 A | 12/1984 | Naka | 2006/0150539 A1 | 7/2006 | Vanhastel et al. |
| 4,840,824 A | 6/1989 | Davis | | | |

* cited by examiner

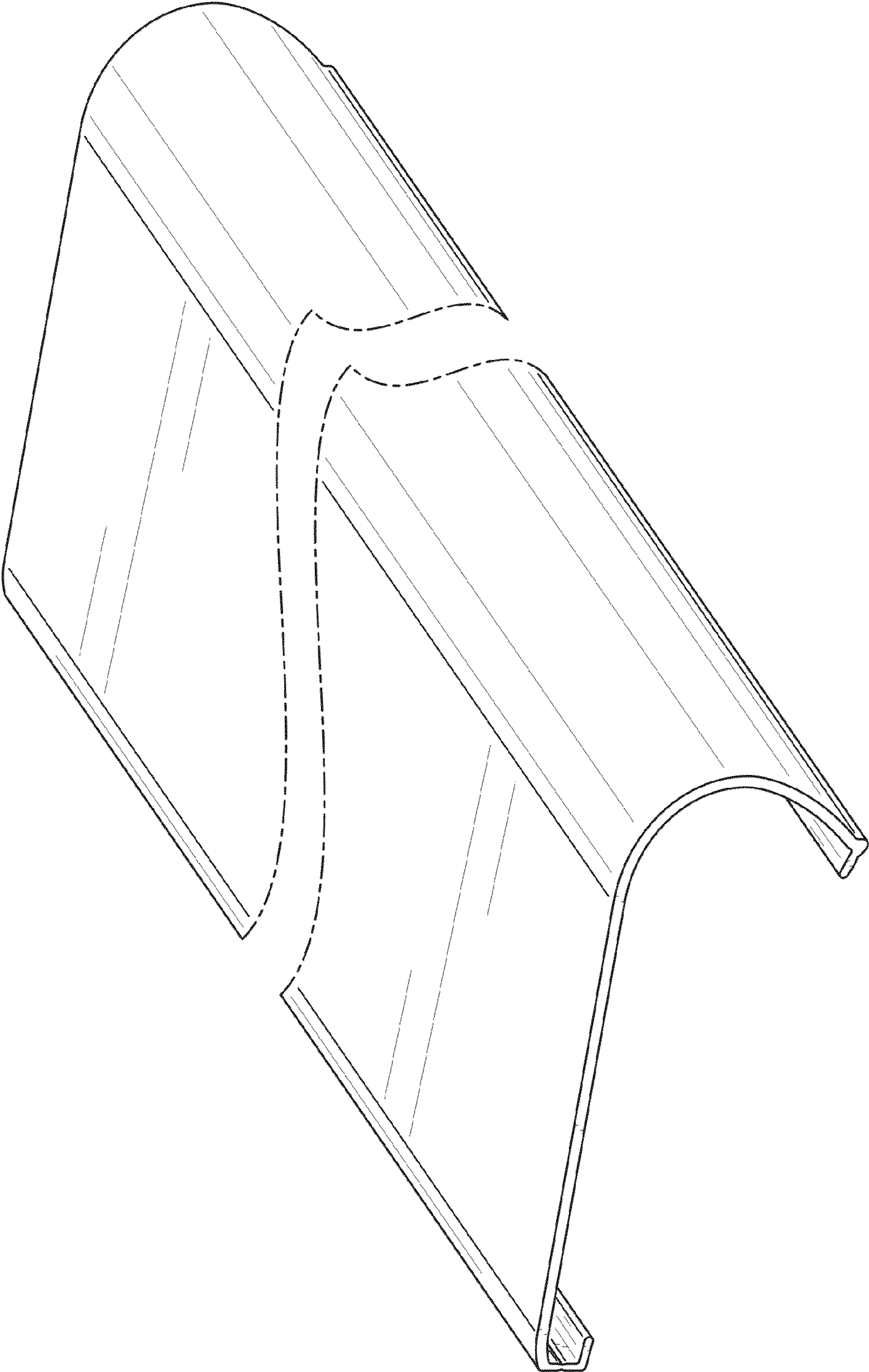


FIG. 1

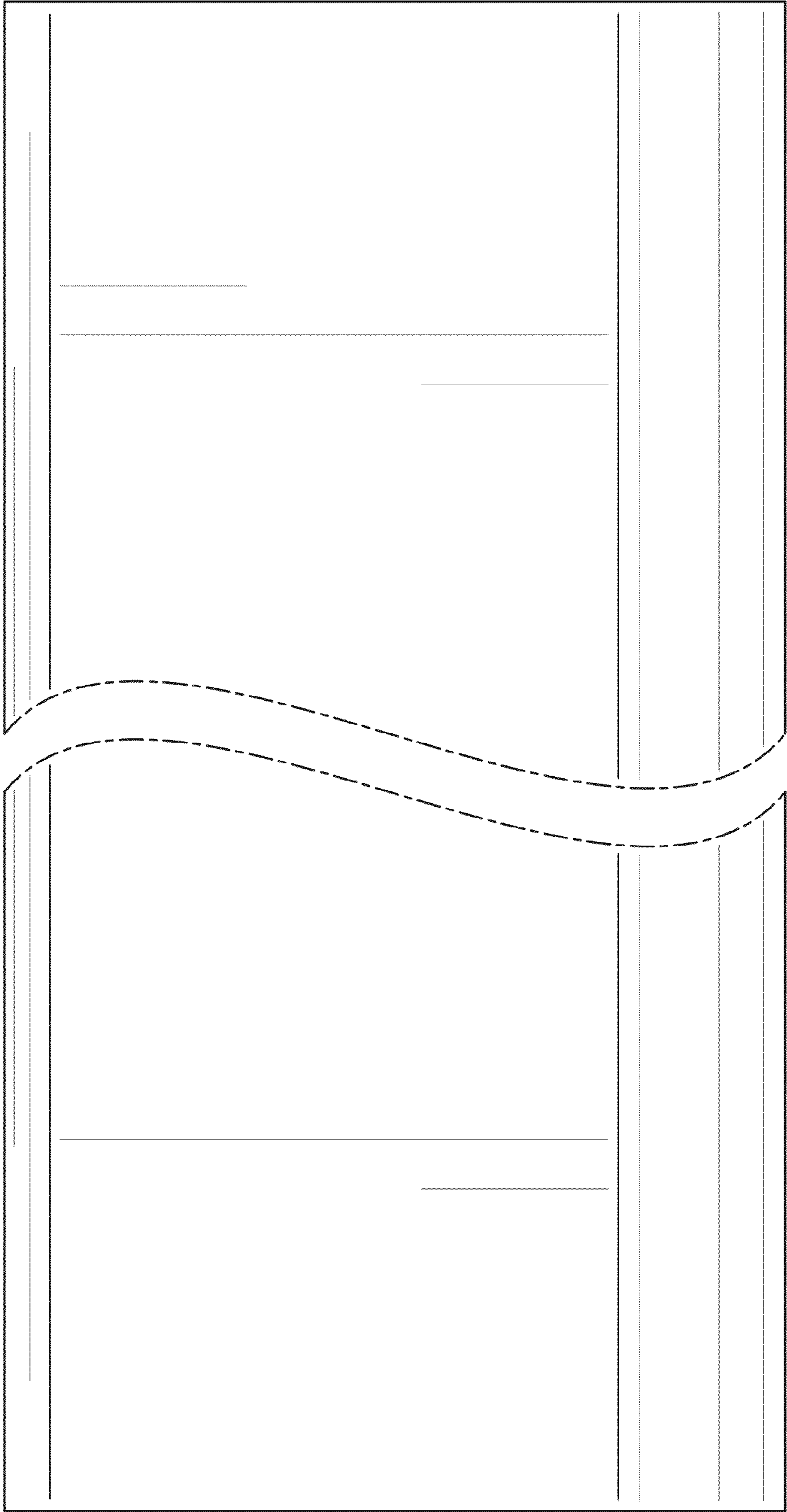


FIG. 2

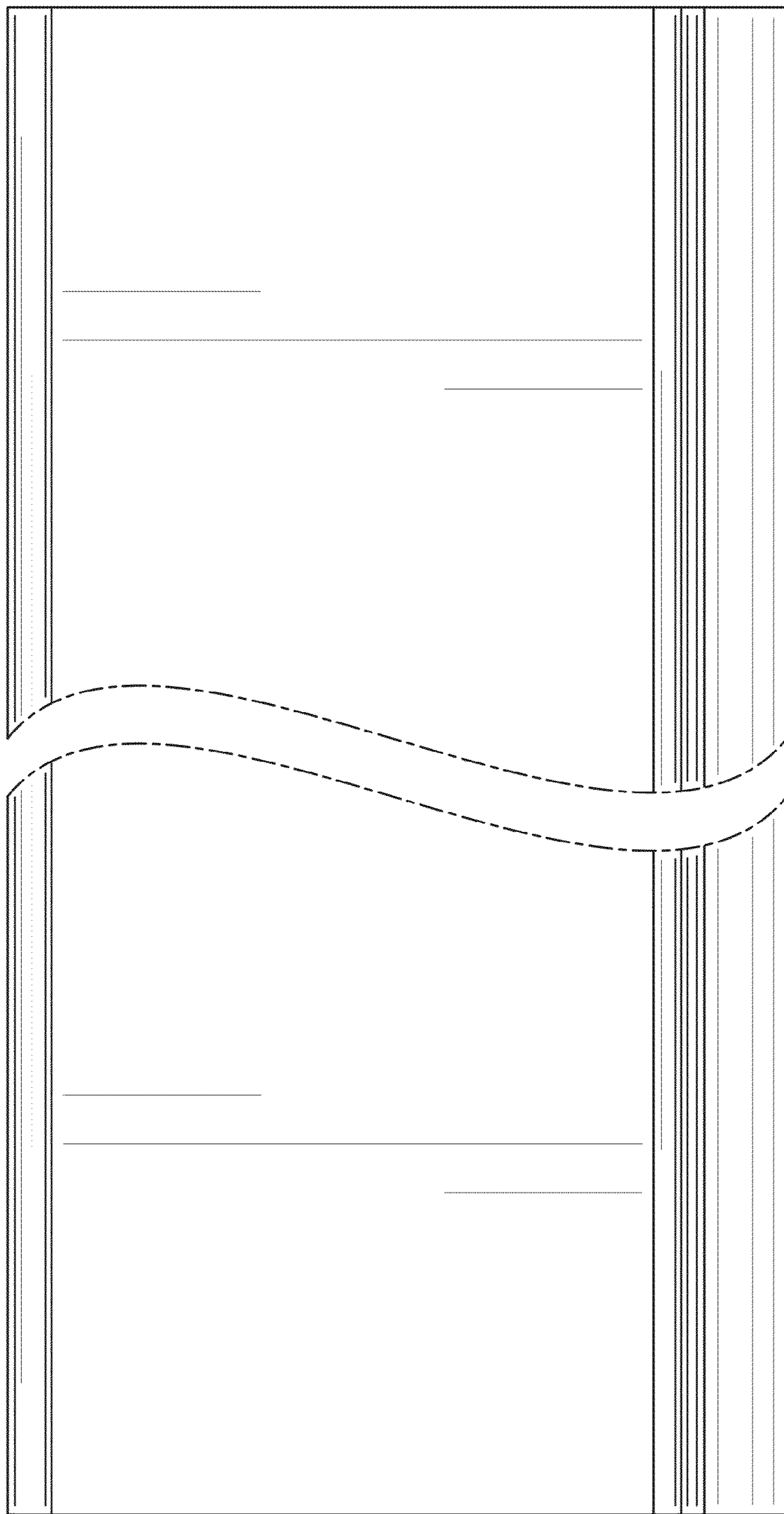


FIG. 3

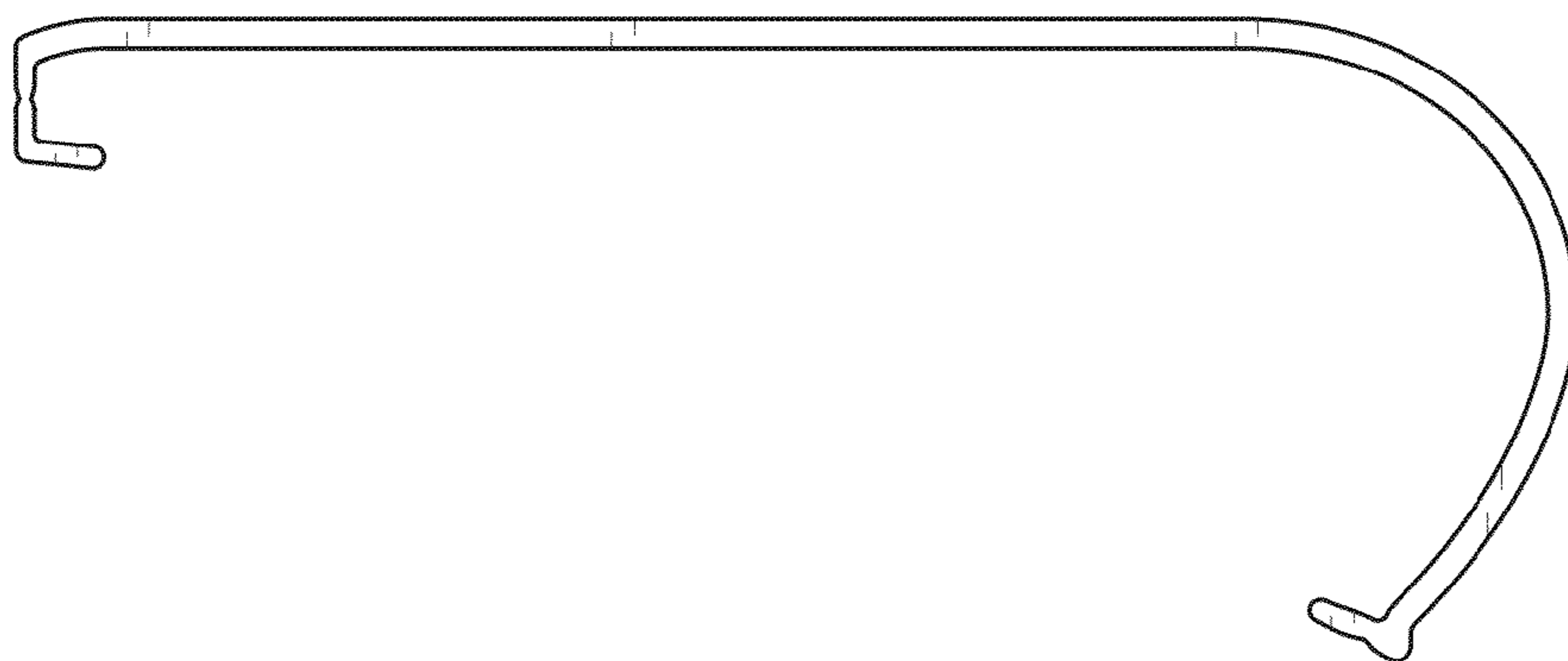


FIG. 4

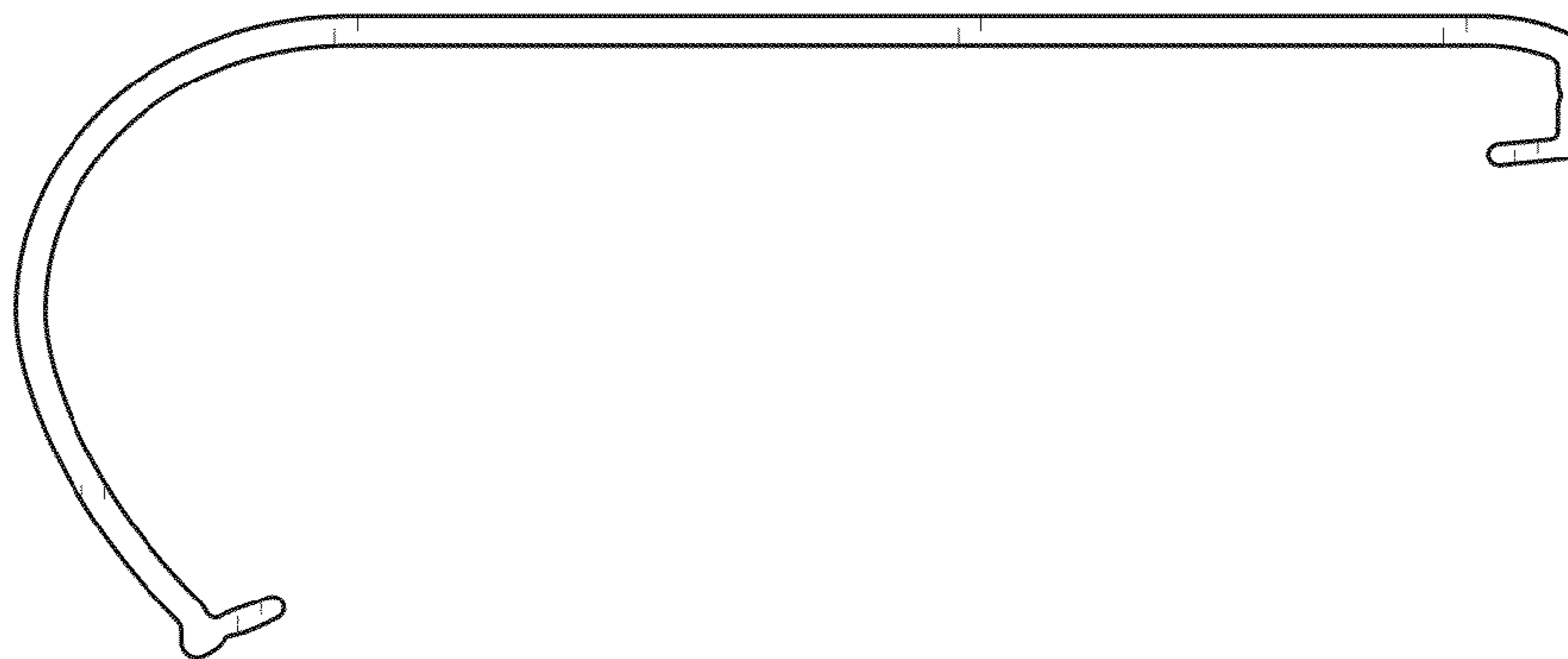


FIG. 5

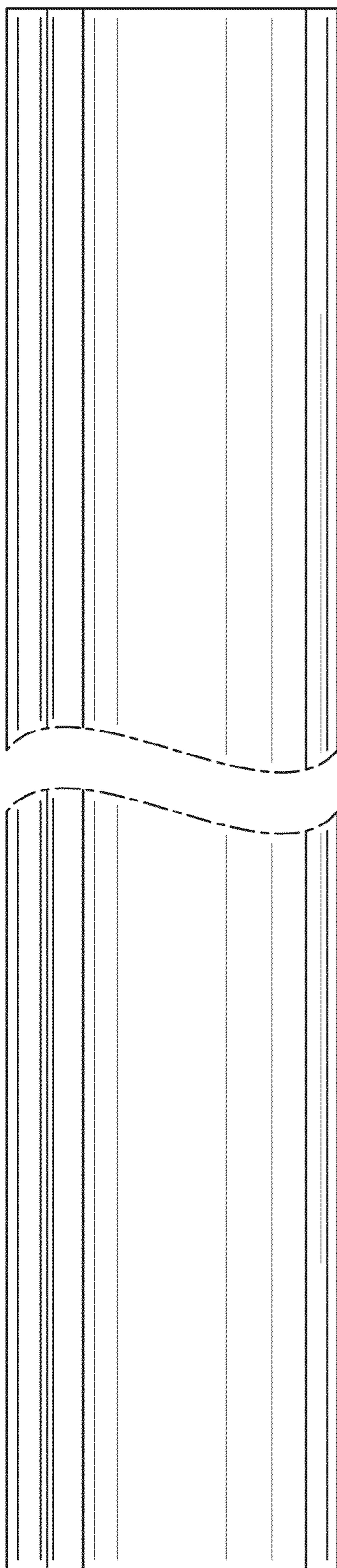


FIG. 6

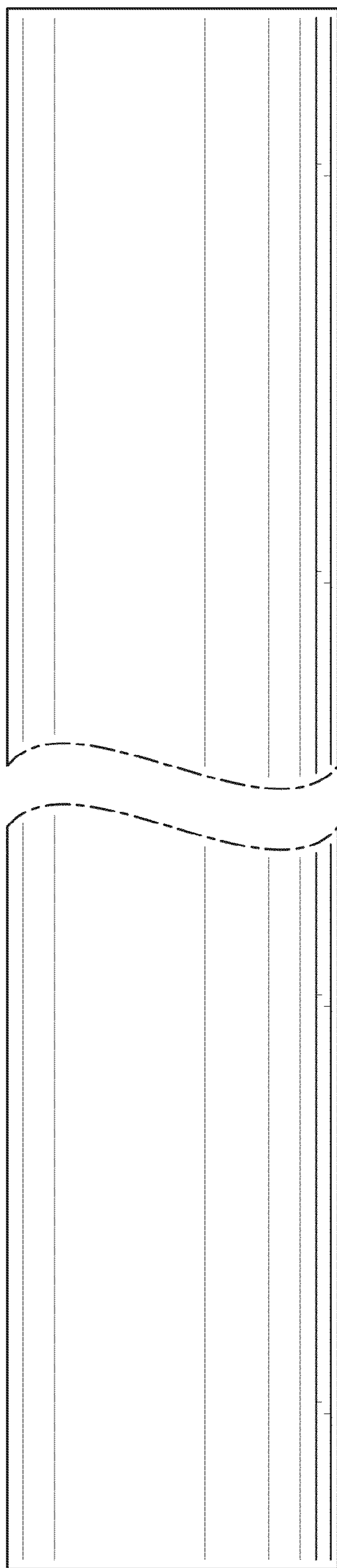


FIG. 7

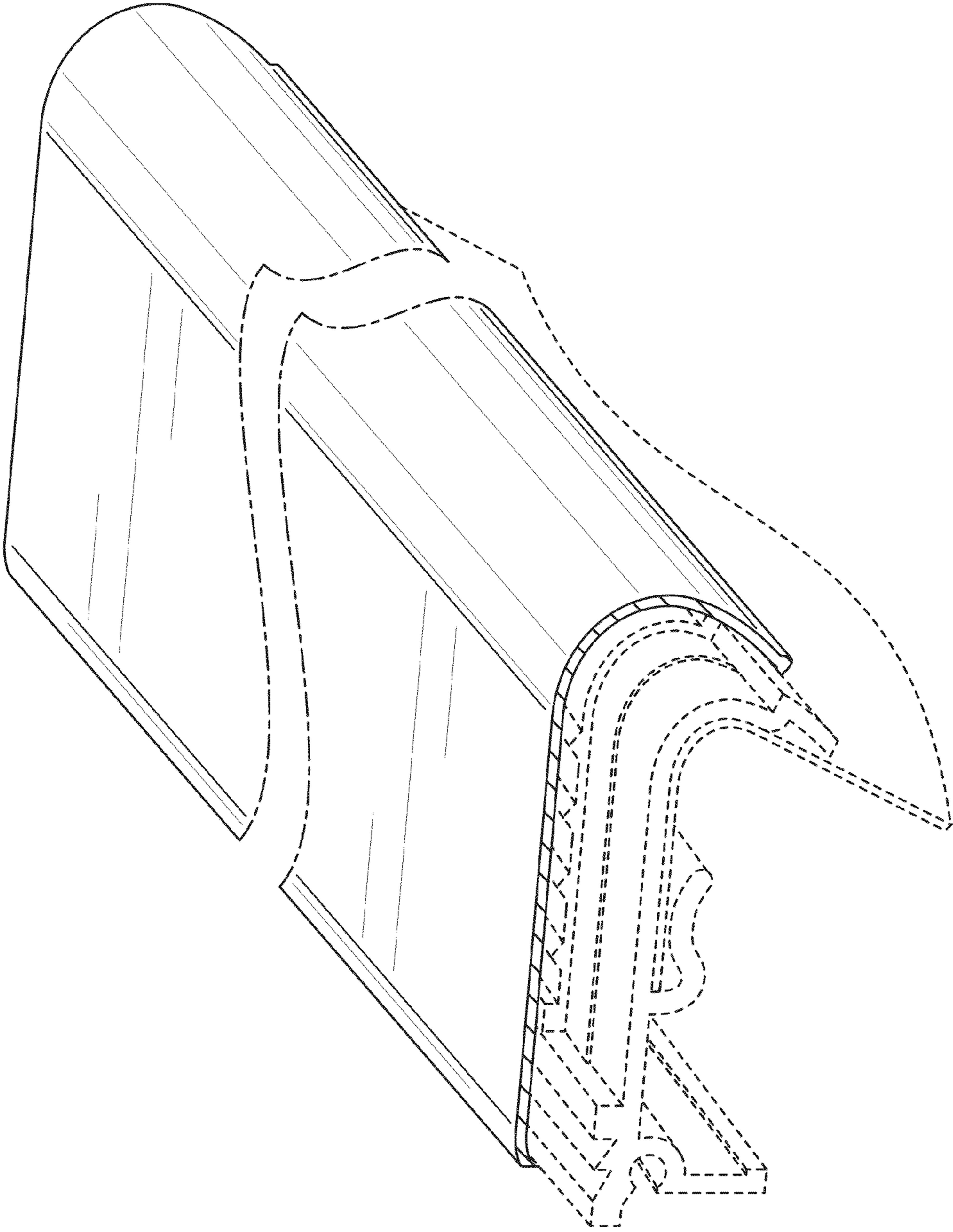


FIG. 8

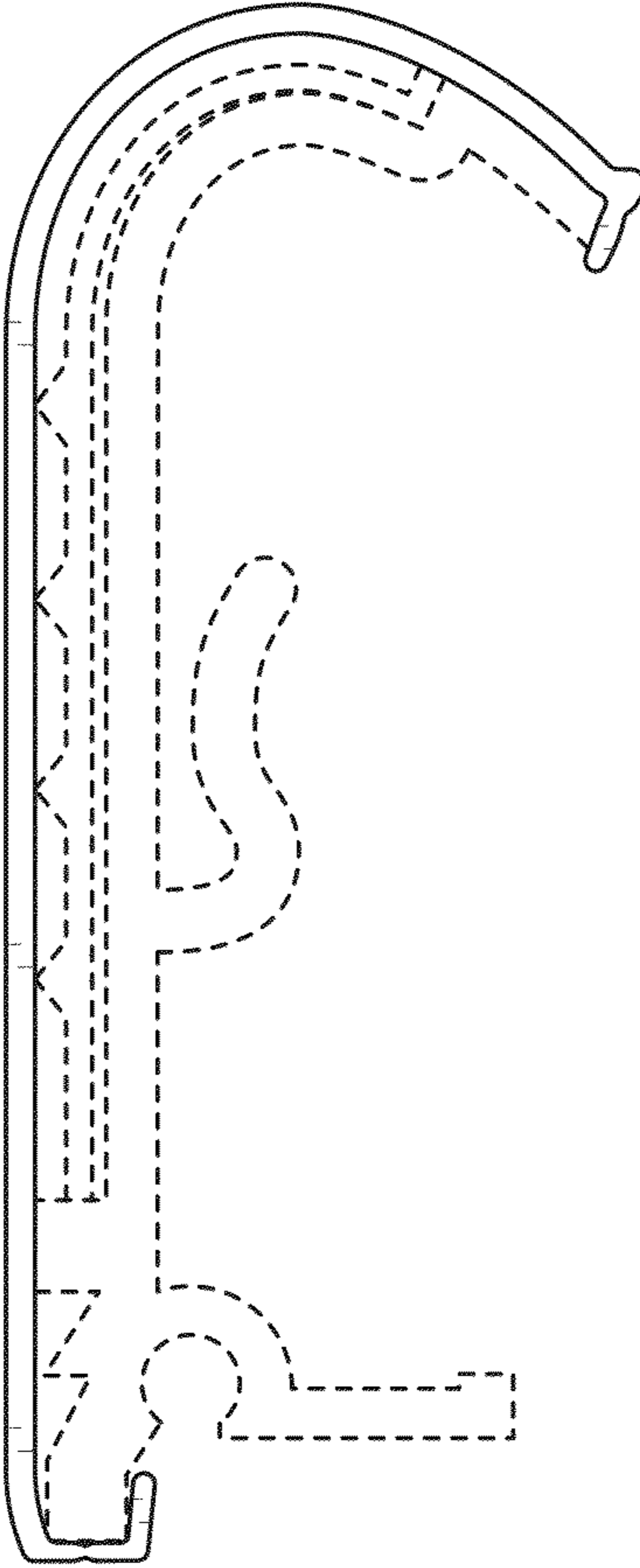


FIG. 9

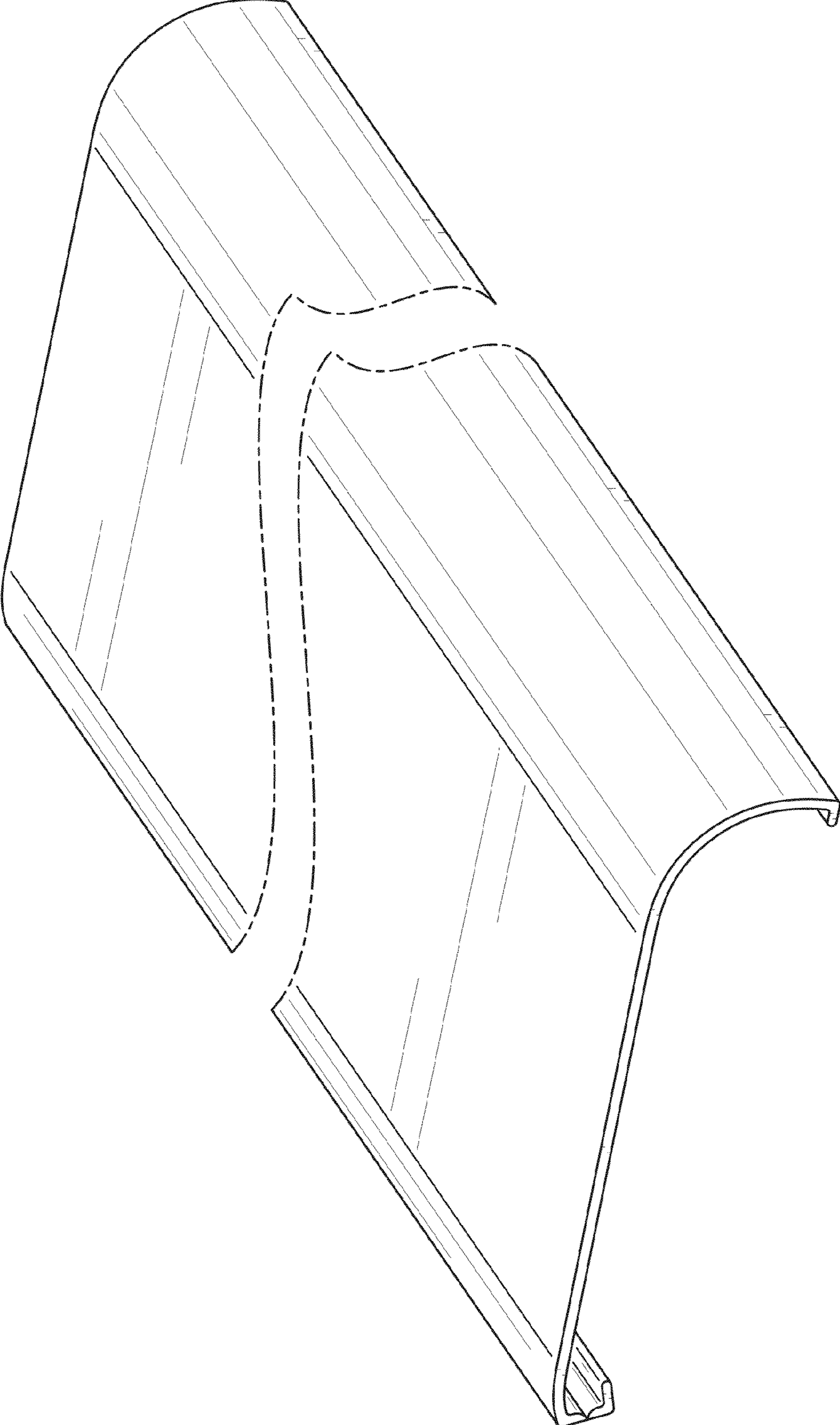


FIG. 10

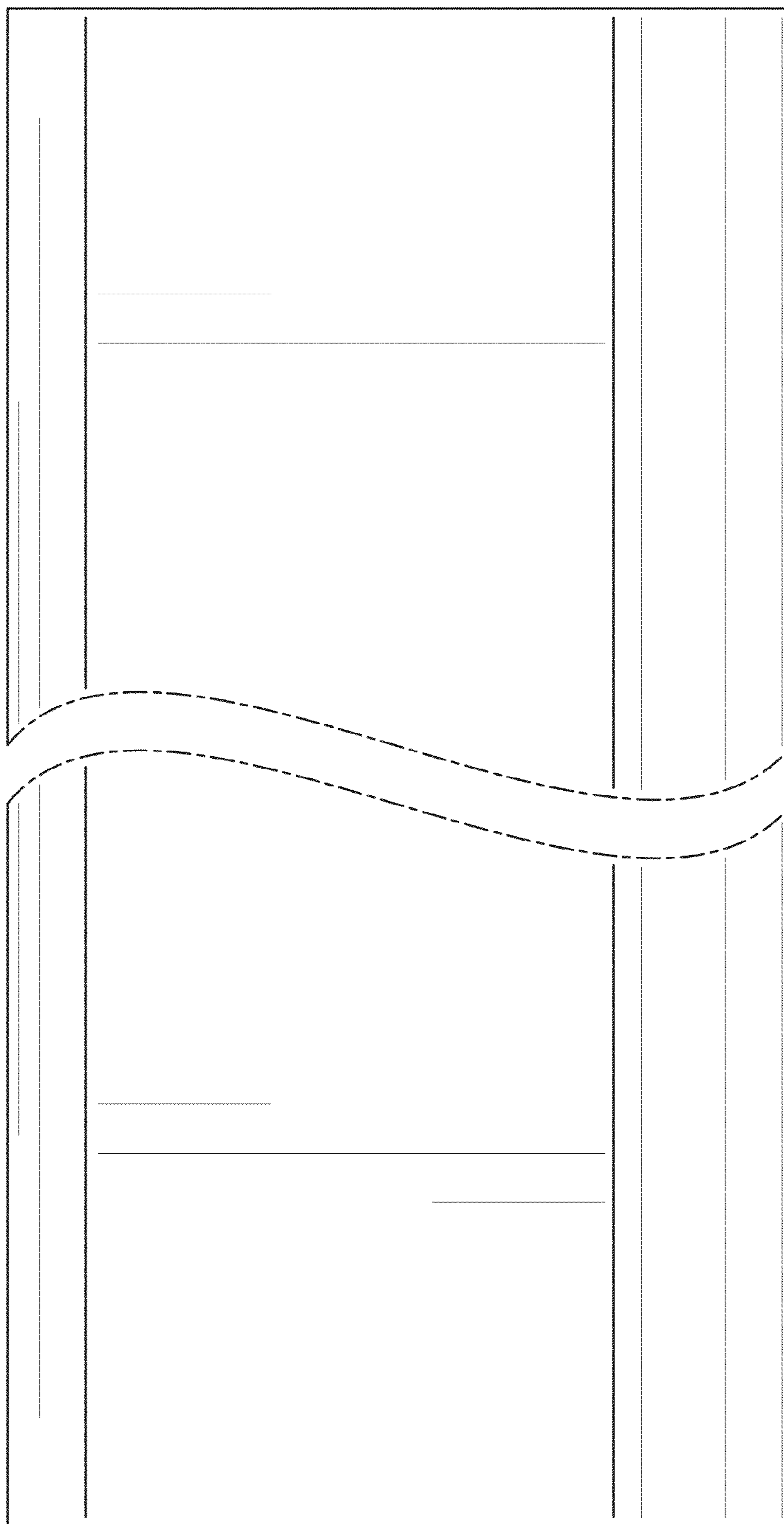


FIG. 11

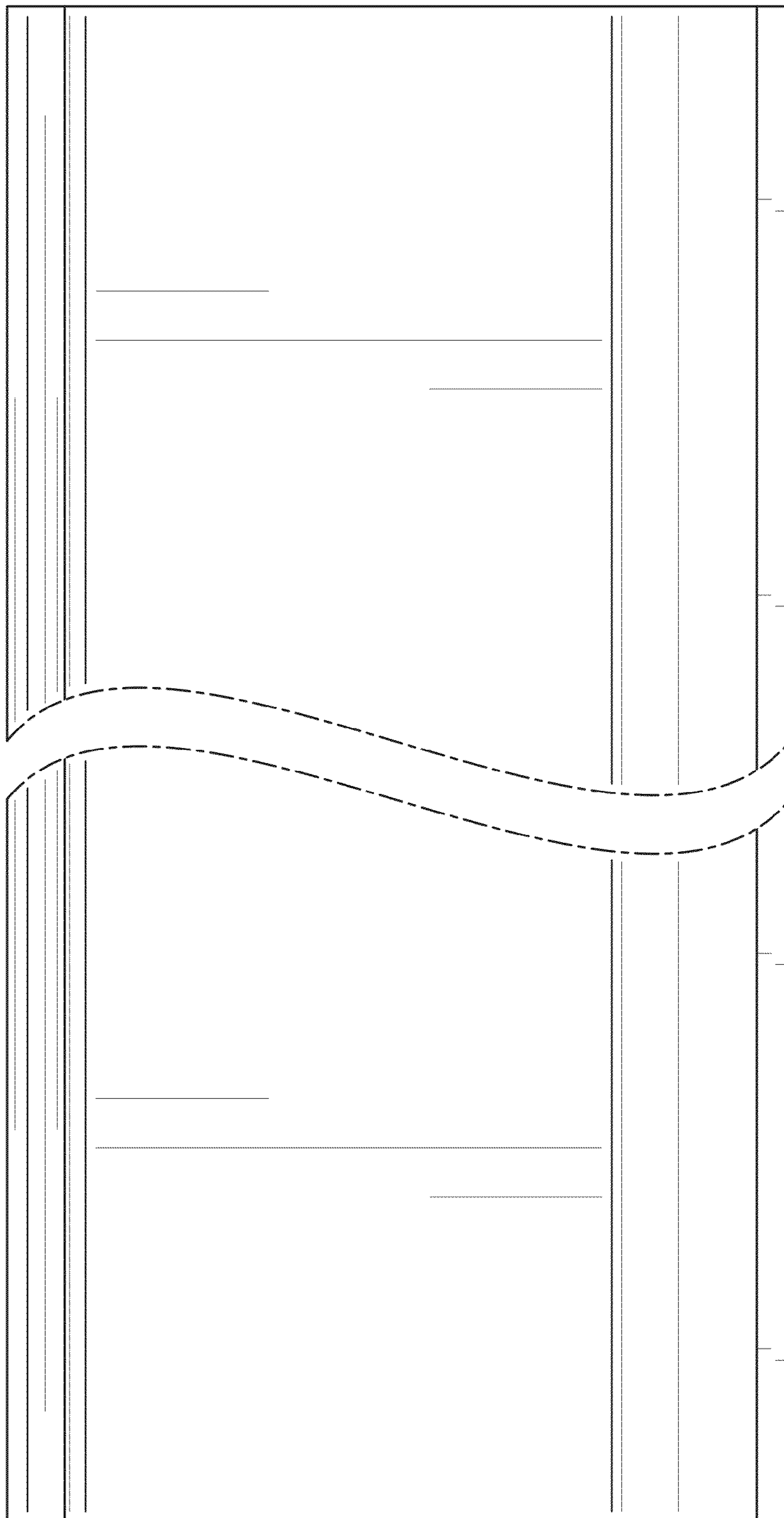


FIG. 12

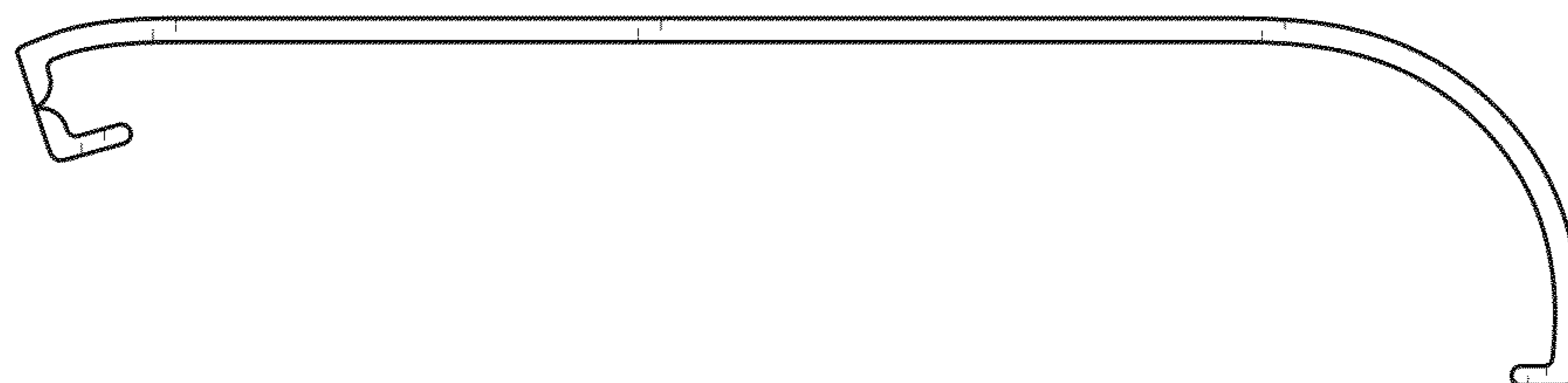


FIG. 13

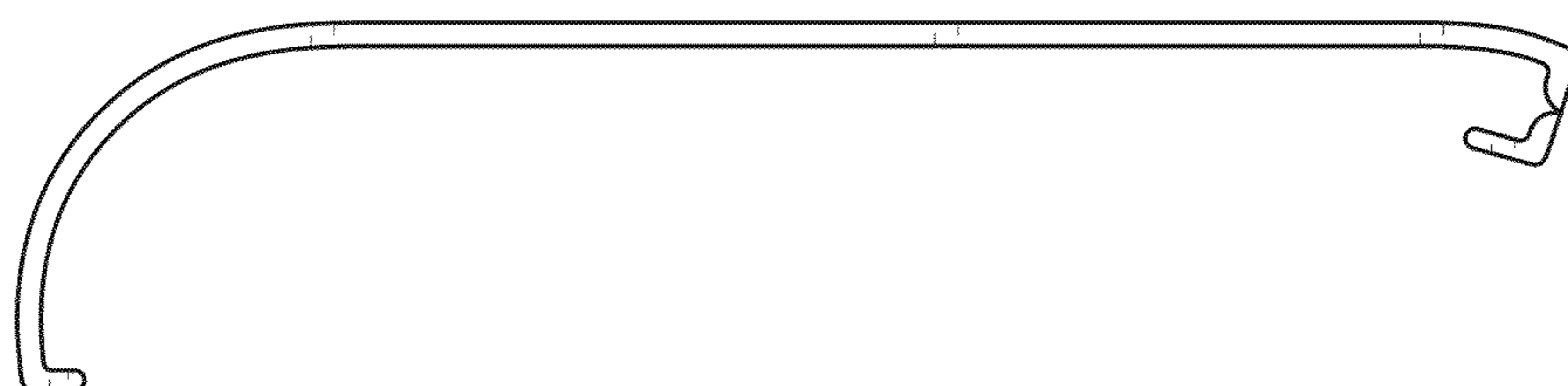


FIG. 14

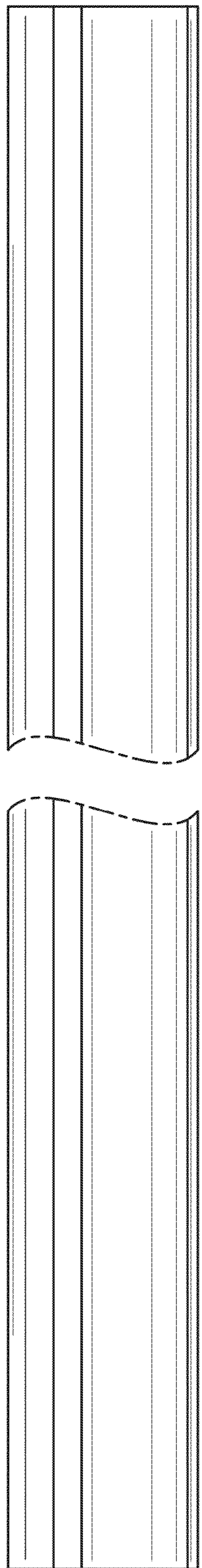


FIG. 15

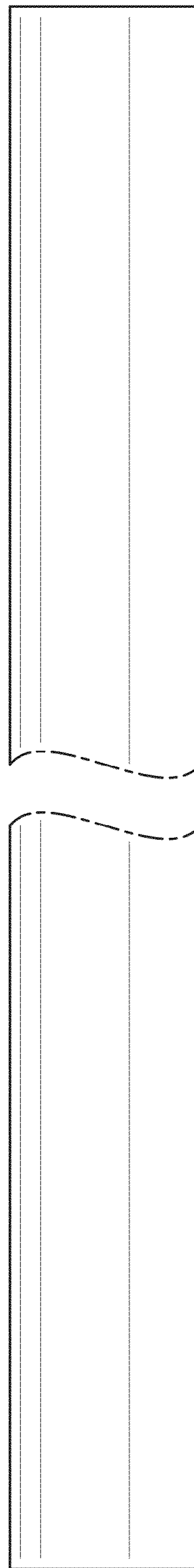


FIG. 16

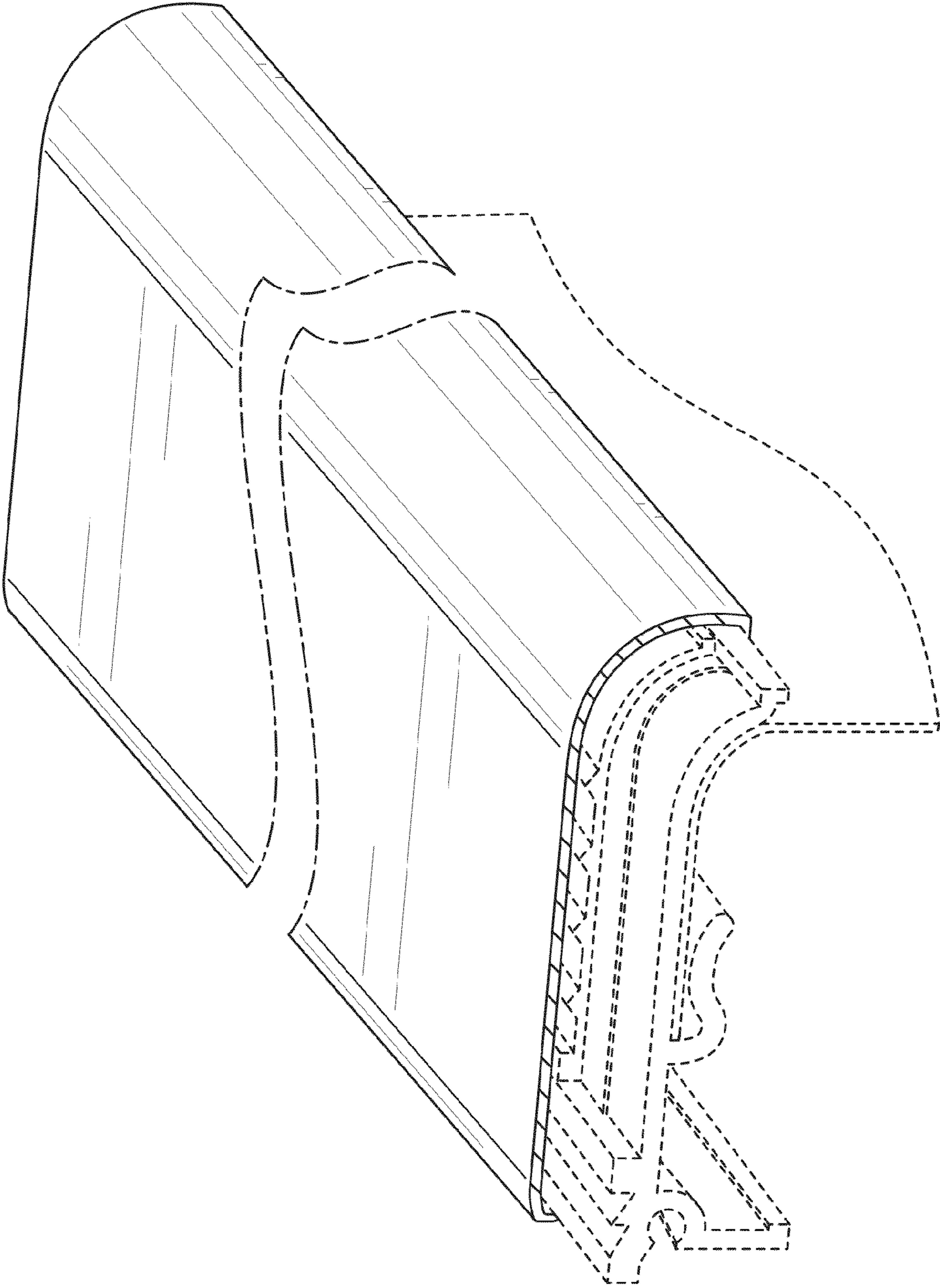


FIG. 17

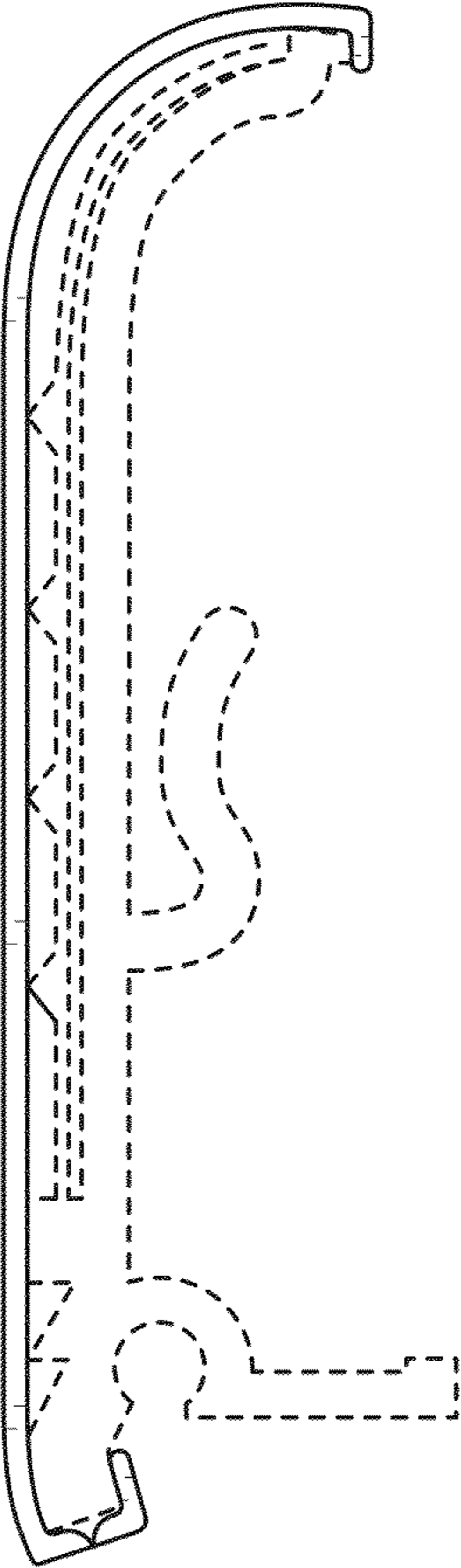


FIG. 18