



US00D685502S

(12) **United States Design Patent**
MacDonald

(10) **Patent No.:** **US D685,502 S**
(45) **Date of Patent:** **** Jul. 2, 2013**

(54) **LANDSCAPING BLOCK**

(75) Inventor: **Robert A. MacDonald**, Plymouth, MN (US)

(73) Assignee: **Keystone Retaining Wall Systems LLC**, West Chester, OH (US)

(**) Term: **14 Years**

(21) Appl. No.: **29/426,991**

(22) Filed: **Jul. 12, 2012**

Related U.S. Application Data

(62) Division of application No. 29/366,124, filed on Jul. 20, 2010, now Pat. No. Des. 663,858.

(51) **LOC (9) Cl.** **25-01**

(52) **U.S. Cl.**
USPC **D25/113**

(58) **Field of Classification Search**
USPC D25/102–118, 136, 138, 140, 151, D25/152, 153, 156–162, 164; D21/484–491, D21/499–504; 405/16, 284, 286; 52/503–505, 52/574, 575, 596–612, 102; 404/27–42; 47/33; D8/1

See application file for complete search history.

(56) **References Cited**

U.S. PATENT DOCUMENTS

D296,007 S	5/1988	Forsberg
D301,064 S	5/1989	Forsberg
4,920,712 A	5/1990	Dean, Jr.
D319,885 S	9/1991	Blomquist et al.
D321,060 S	10/1991	Blomquist et al.
5,062,610 A	11/1991	Woolford et al.
5,161,918 A	11/1992	Hodel
5,214,898 A	6/1993	Beretta
5,252,017 A	10/1993	Hodel
D341,215 S	11/1993	Blomquist et al.
D346,667 S	5/1994	Blomquist et al.

D347,070 S	5/1994	Anderson et al.
D350,402 S	9/1994	Pribyl et al.
D352,789 S	11/1994	Adam
D363,787 S	10/1995	Powell
5,507,599 A	4/1996	Anderson et al.
5,568,994 A	10/1996	Dawson
5,601,384 A	2/1997	Dawson
5,619,835 A	4/1997	Bailey, II et al.
5,624,211 A	4/1997	Anderson et al.
D380,560 S	7/1997	Forsberg
D381,086 S	7/1997	Forsberg

(Continued)

Primary Examiner — Anhdao Doan

(74) *Attorney, Agent, or Firm* — Popovich, Wiles & O'Connell, P.A.

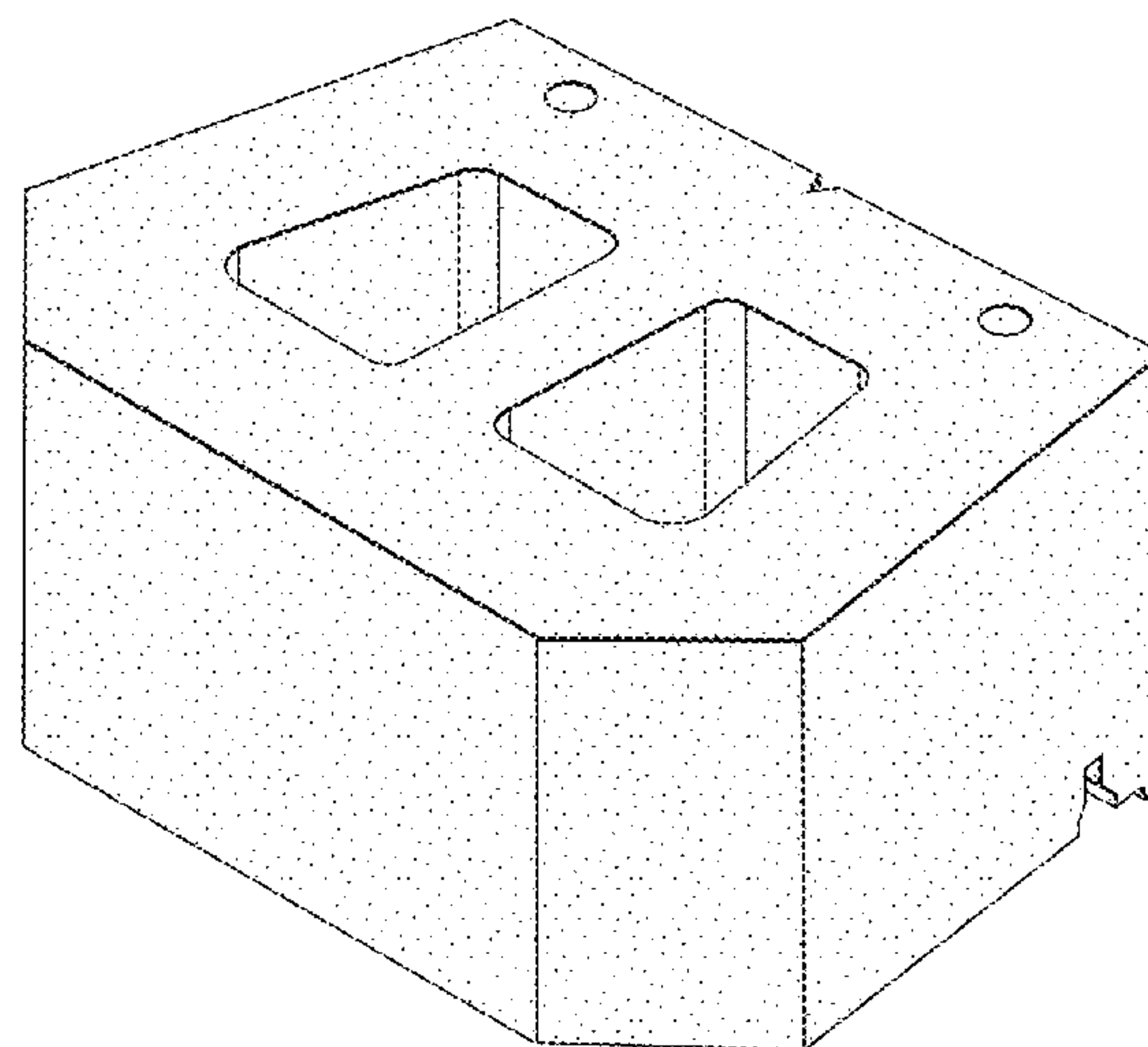
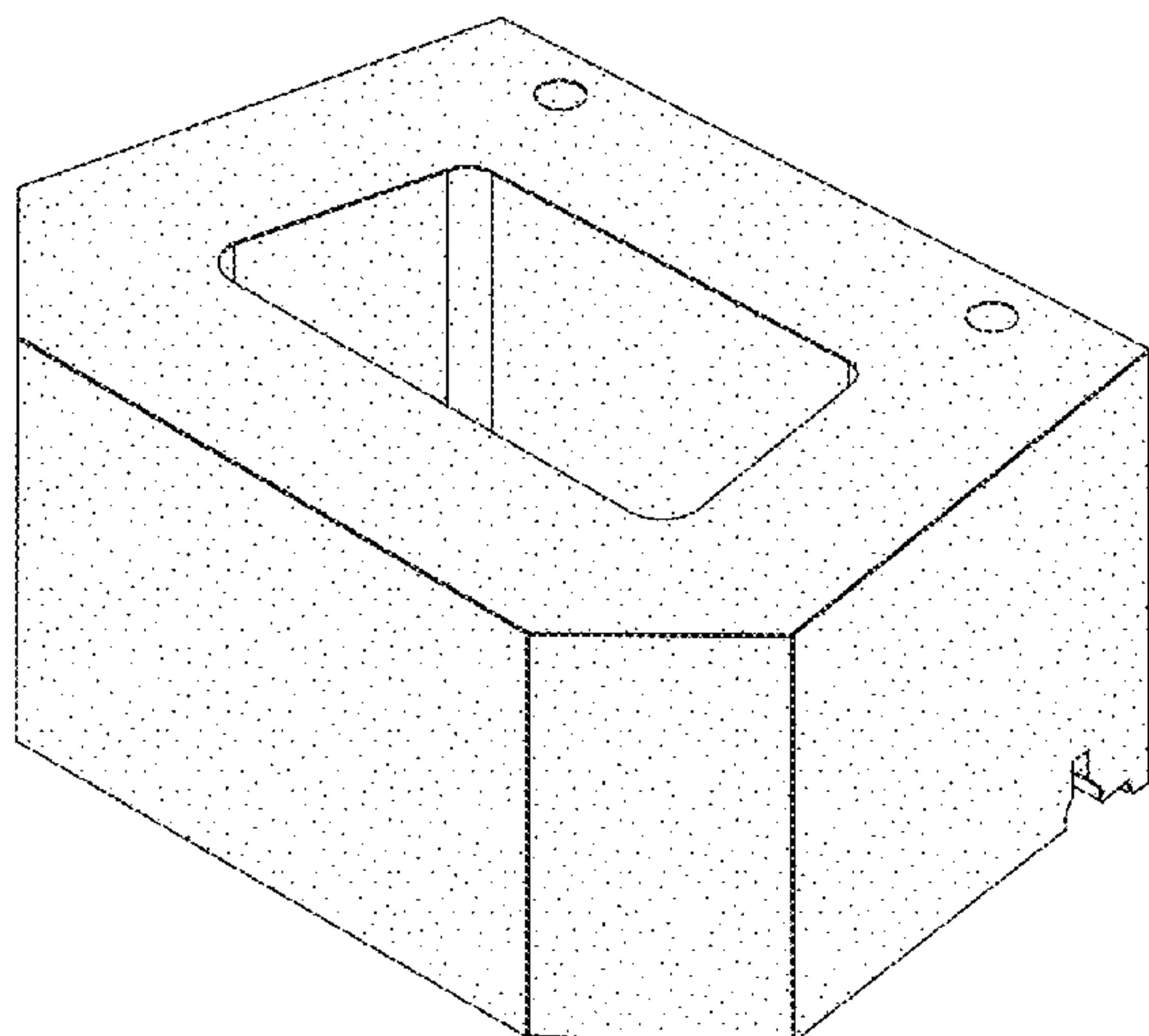
(57) **CLAIM**

The ornamental design for a landscaping block, as shown and described.

DESCRIPTION

FIG. 1 is a front perspective view of a first embodiment of a landscaping block;
 FIG. 2 is a top plan view thereof;
 FIG. 3 is a bottom plan view thereof;
 FIG. 4 is a left side elevational view thereof;
 FIG. 5 is a right side elevational view thereof;
 FIG. 6 is a rear elevational view thereof;
 FIG. 7 is a front elevational view thereof;
 FIG. 8 is a front perspective view of a second embodiment of a landscaping block;
 FIG. 9 is a top plan view thereof;
 FIG. 10 is a bottom plan view thereof;
 FIG. 11 is a left side elevational view thereof;
 FIG. 12 is a right side elevational view thereof;
 FIG. 13 is a rear elevational view thereof; and,
 FIG. 14 is a front elevational view thereof.
 The portions of the landscaping block shown in broken lines form no part of the claimed design.

1 Claim, 14 Drawing Sheets



US D685,502 S

U.S. PATENT DOCUMENTS					
			6,912,823	B2	7/2005 MacDonald et al.
D384,168	S	9/1997 Stevenson	7,048,472	B2	5/2006 Woolford et al.
D387,434	S	12/1997 Dawson	7,096,634	B2	8/2006 Dean, Jr.
5,707,184	A	1/1998 Anderson et al.	D530,830	S	10/2006 Collison et al.
D391,376	S	2/1998 Strand et al.	7,168,892	B1	1/2007 MacDonald et al.
D397,230	S	8/1998 Forsberg	7,244,079	B1	7/2007 Blomquist et al.
D397,451	S	8/1998 Stevenson	D551,360	S	9/2007 Price
D397,808	S	9/1998 Dawson	D551,361	S	9/2007 Price
5,827,015	A	10/1998 Woolford et al.	D556,919	S	12/2007 Price
5,865,006	A	2/1999 Dawson	7,328,537	B2	2/2008 Hammer
5,913,790	A	6/1999 Dawson	7,360,970	B2	4/2008 Woolford et al.
5,941,042	A	8/1999 Dueck	7,448,830	B2	11/2008 MacDonald et al.
5,984,589	A	11/1999 Ciccarello	7,641,178	B2	1/2010 MacDonald et al.
6,019,550	A	2/2000 Wrigley et al.	D610,710	S	2/2010 LaCroix et al.
6,035,599	A	3/2000 Sonnentag	7,654,776	B2	2/2010 MacDonald et al.
D429,004	S	8/2000 Strand et al.	D615,669	S	5/2010 Caggiano
D430,308	S	8/2000 Dawson	D620,135	S	7/2010 Adam
D433,158	S	10/2000 Hammer	D620,615	S	7/2010 MacDonald et al.
6,149,352	A	11/2000 MacDonald	D621,070	S	8/2010 MacDonald et al.
D435,917	S	1/2001 Hammer	7,780,141	B2	8/2010 Dawson et al.
6,168,354	B1	1/2001 Martin et al.	7,934,351	B2	5/2011 Clarno
D439,678	S	3/2001 Blomquist et al.	7,971,407	B2	7/2011 MacDonald
D458,387	S	6/2002 Blomquist et al.	D645,575	S	9/2011 Bone
D464,149	S	10/2002 Risi et al.	8,240,105	B2 *	8/2012 Dueck 52/604
D466,228	S	11/2002 Hammer	D667,138	S *	9/2012 Rainey D25/113
6,474,036	B2	11/2002 Martin et al.	2002/0001509	A1	1/2002 Hong
D467,009	S	12/2002 Agee	2005/0102949	A1	5/2005 Whitson
6,488,448	B1	12/2002 Bloomquist et al.	2006/0110223	A1	5/2006 Dawson
6,527,483	B1	3/2003 Agee	2006/0171784	A1	8/2006 Shaw
6,536,994	B2	3/2003 Race	2008/0277561	A1	11/2008 MacDonald
D479,003	S	8/2003 Nordstrand	2008/0289282	A1	11/2008 MacDonald
6,615,561	B2	9/2003 MacDonald et al.	2008/0302350	A1	12/2008 LaCroix
6,622,445	B1	9/2003 Shillingburg et al.	2008/0307740	A1	12/2008 MacDonald
D485,371	S	1/2004 Burgess et al.	2008/0313988	A1	12/2008 MacDonald
6,701,687	B1	3/2004 Shillingburg	2009/0120029	A1	5/2009 LaCroix et al.
6,709,201	B2	3/2004 Race	2009/0151281	A1	6/2009 MacDonald et al.
D488,242	S	4/2004 MacDonald	2009/0188196	A1	7/2009 MacDonald
D488,568	S	4/2004 MacDonald	2009/0308015	A1	12/2009 MacDonald et al.
D488,569	S	4/2004 Dawson	2009/0313936	A1	12/2009 MacDonald et al.
D490,542	S	5/2004 MacDonald	2010/0308502	A1	12/2010 LaCroix et al.
6,803,002	B2	10/2004 Suto et al.	2010/0310695	A1	12/2010 LaCroix et al.
6,821,058	B1	11/2004 Dawson	2011/0072753	A1	3/2011 MacDonald
D501,935	S	2/2005 MacDonald et al.	2011/0217127	A1	9/2011 MacDonald
6,854,231	B2	2/2005 MacDonald et al.	2011/0243669	A1	10/2011 Friederichs et al.
6,871,468	B2	3/2005 Whitson			

* cited by examiner

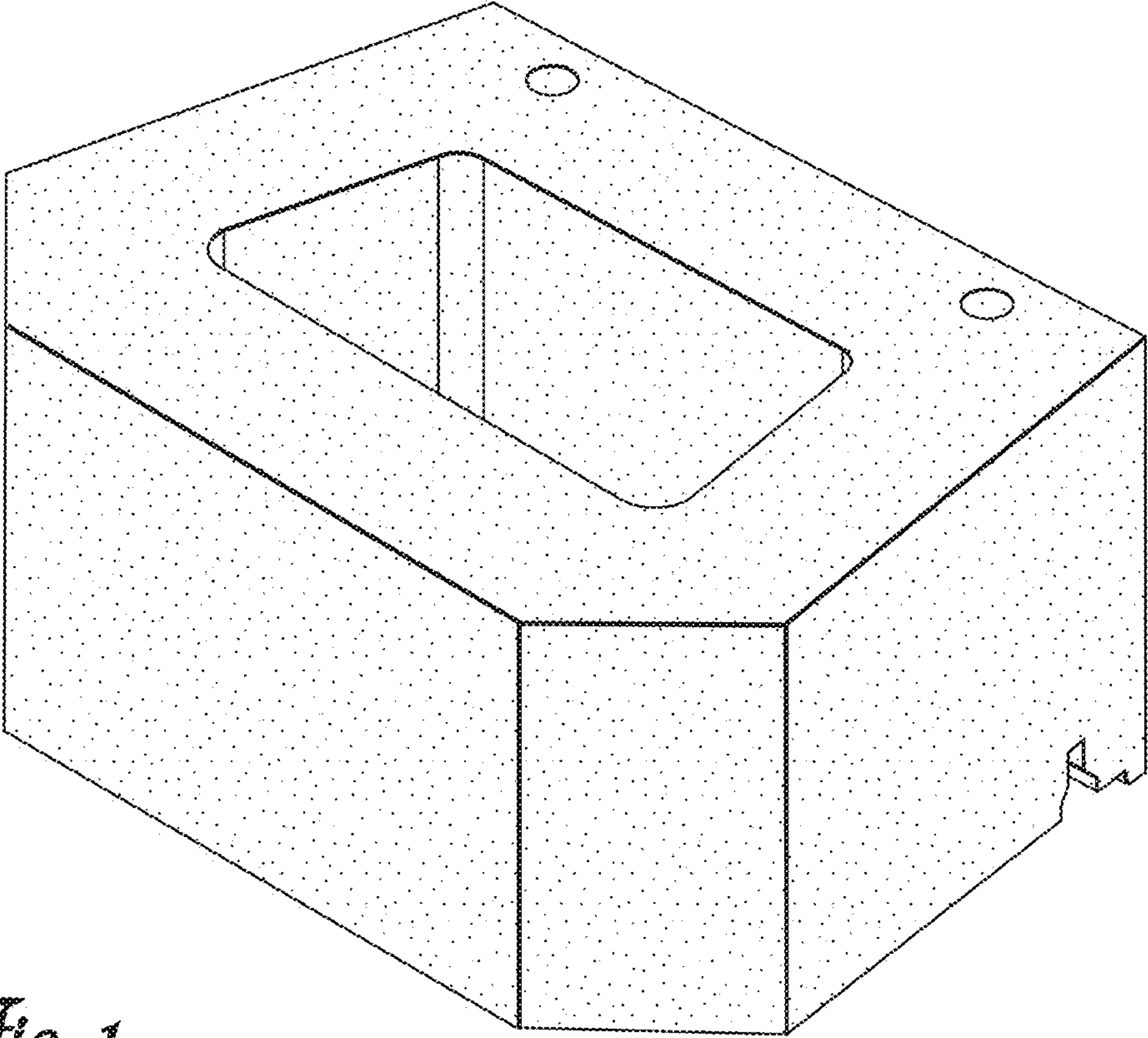


Fig. 1

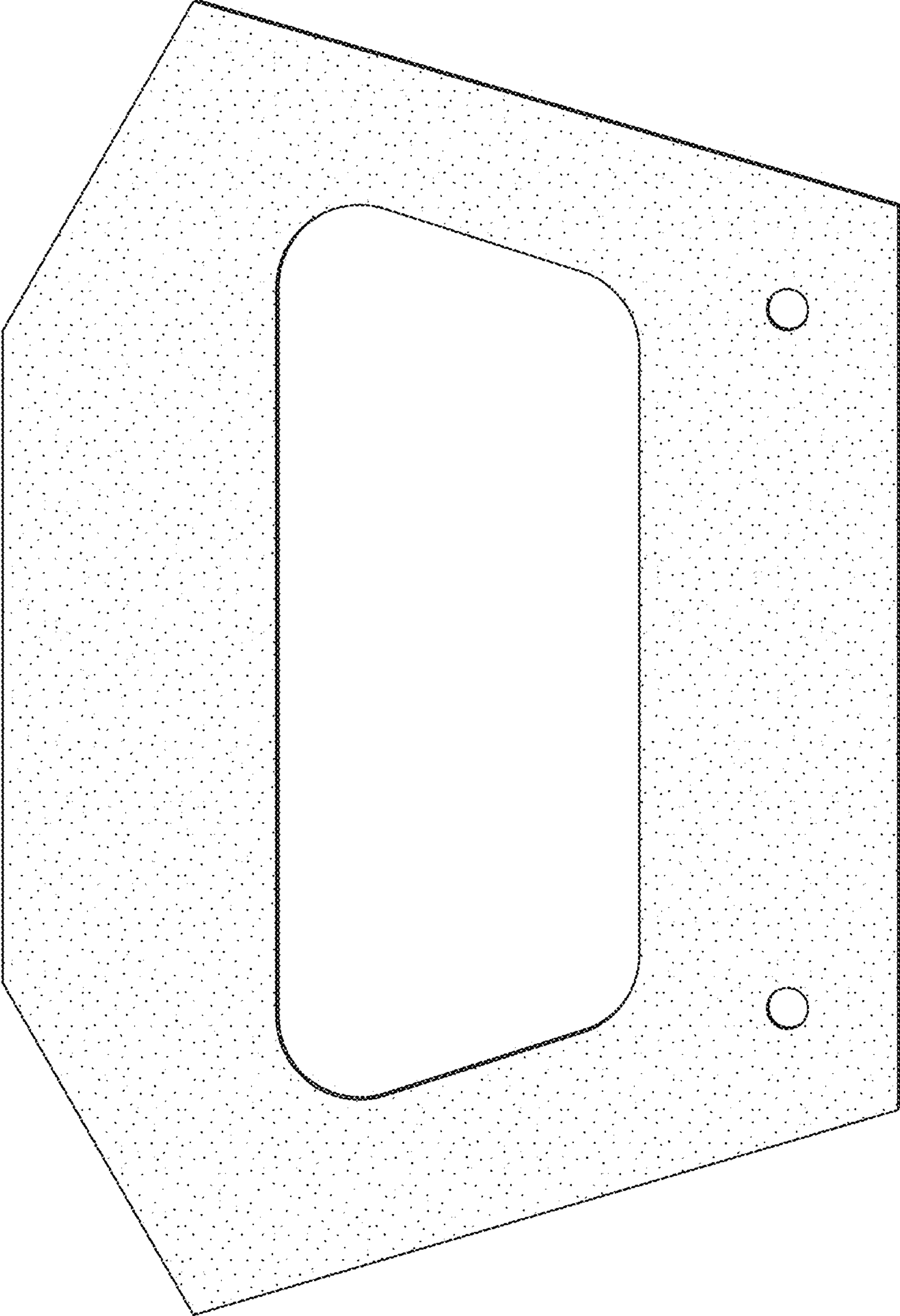


Fig. 2

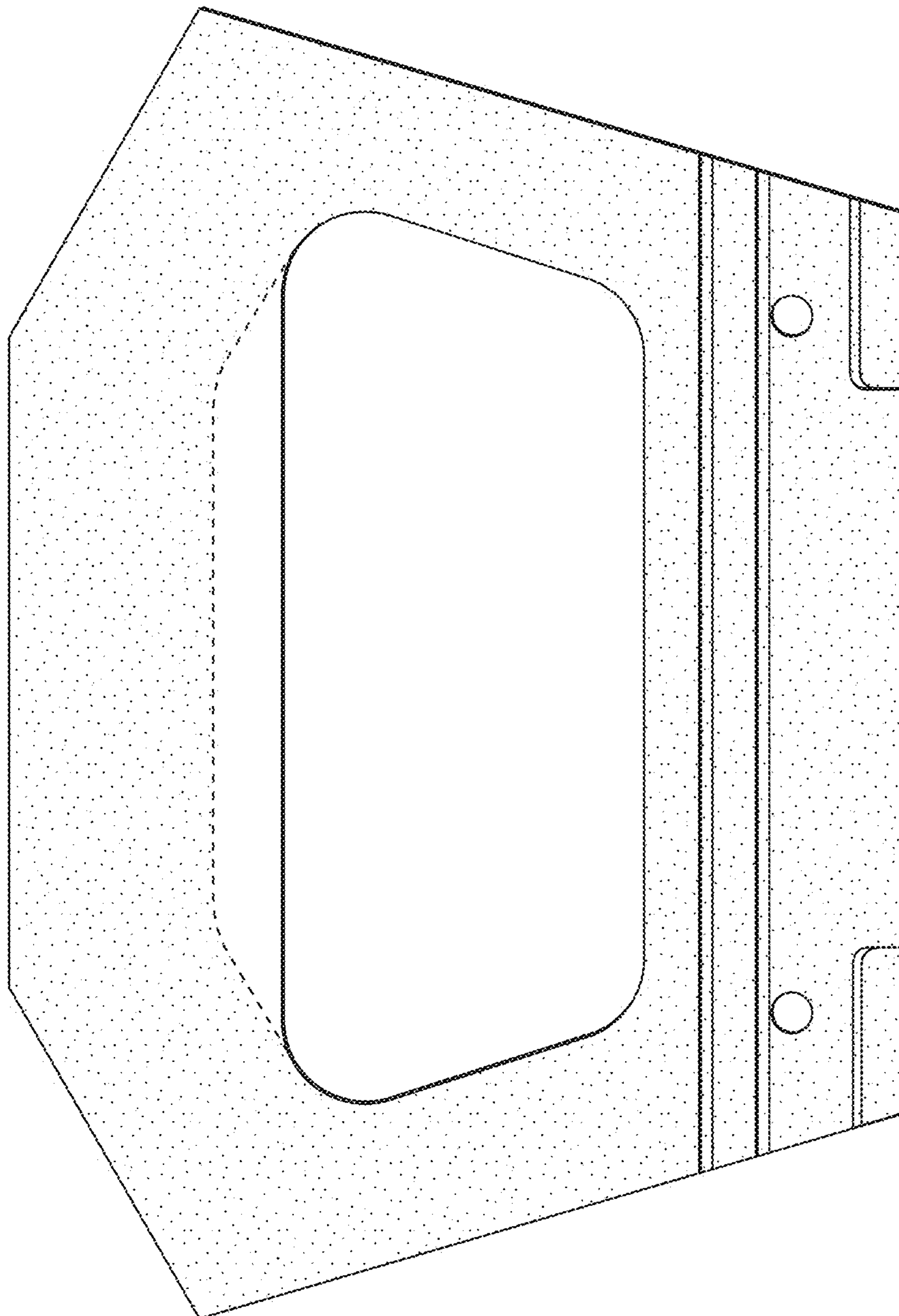


Fig. 3

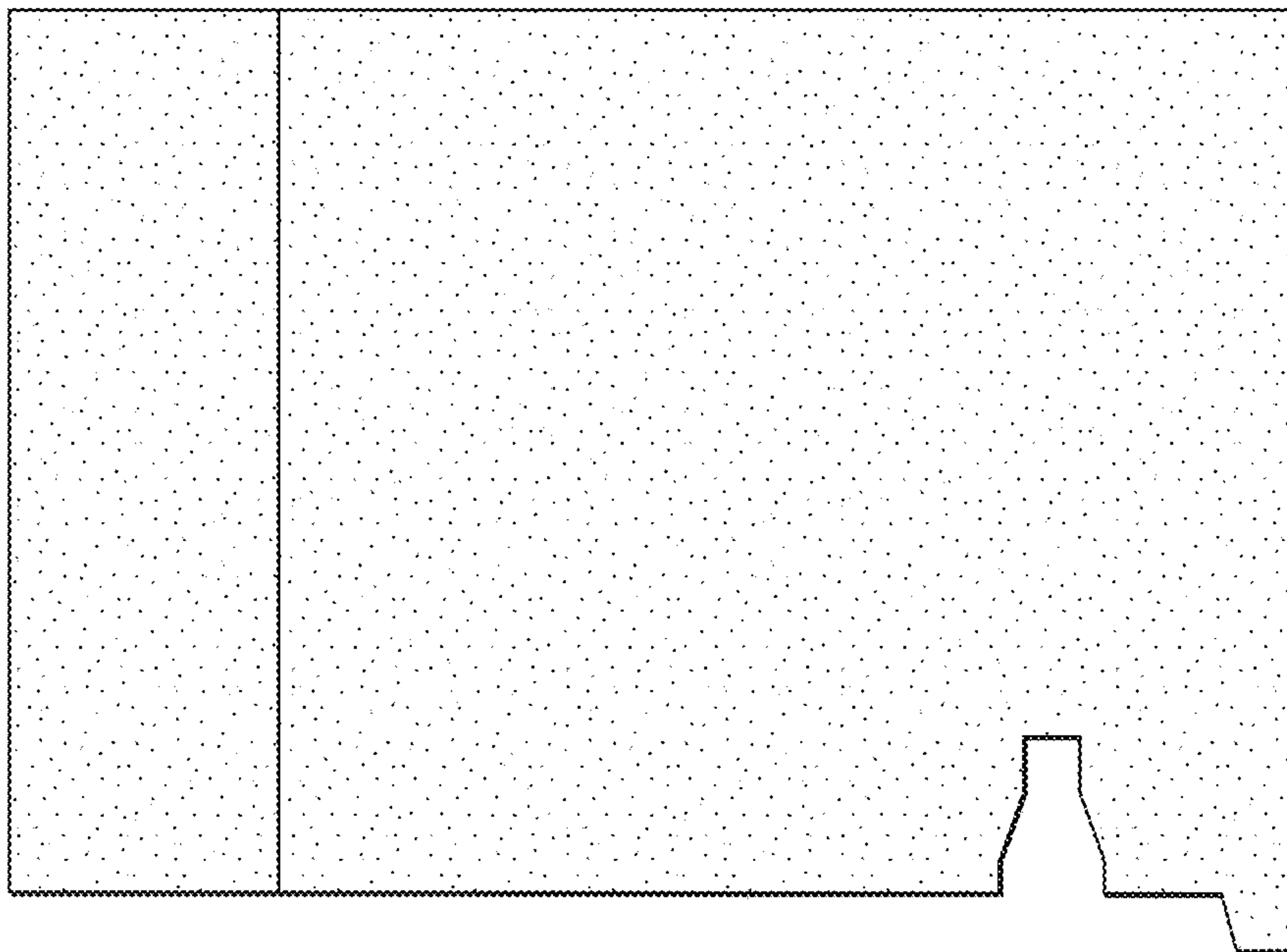


Fig. 4

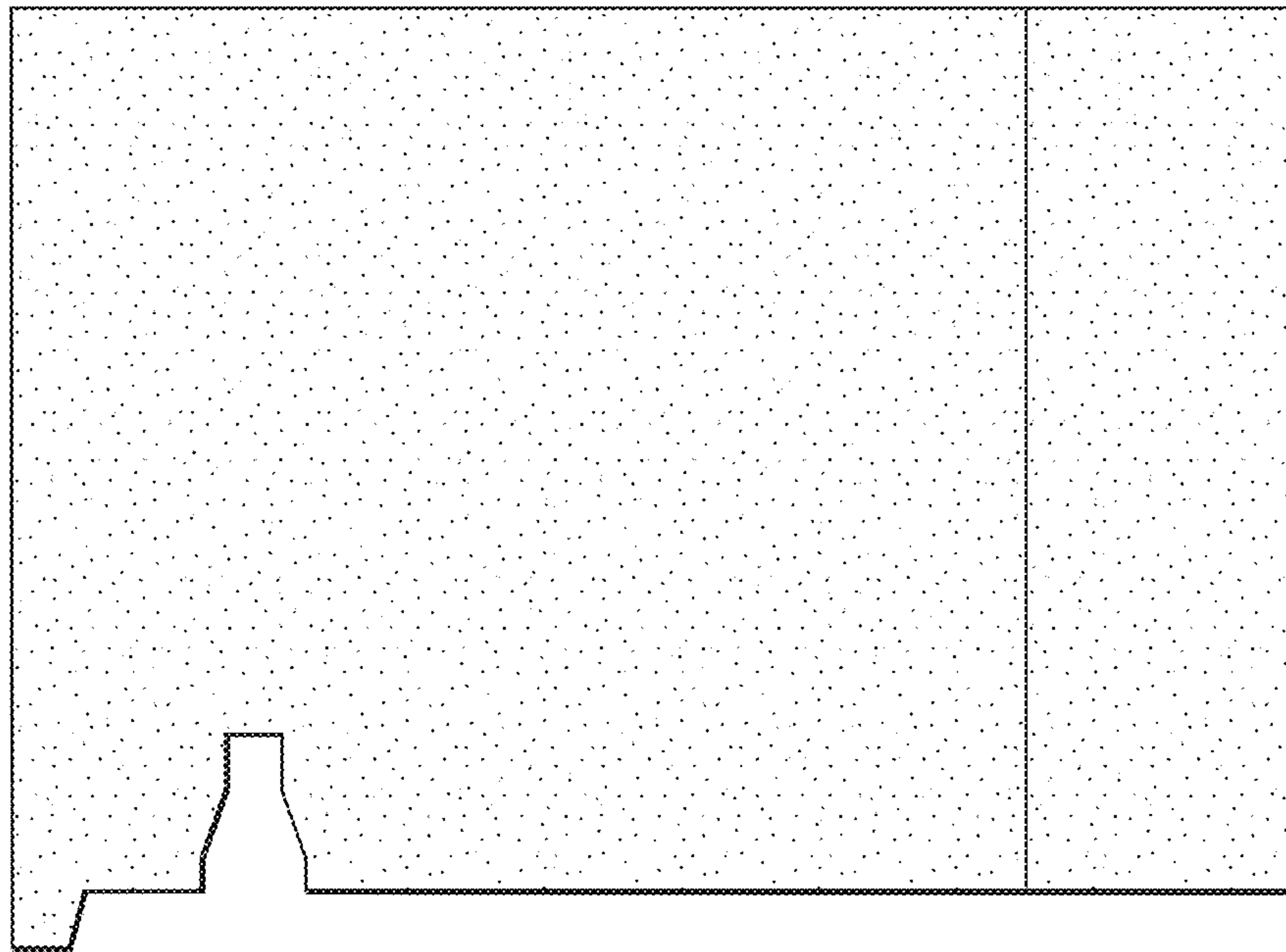


Fig. 5

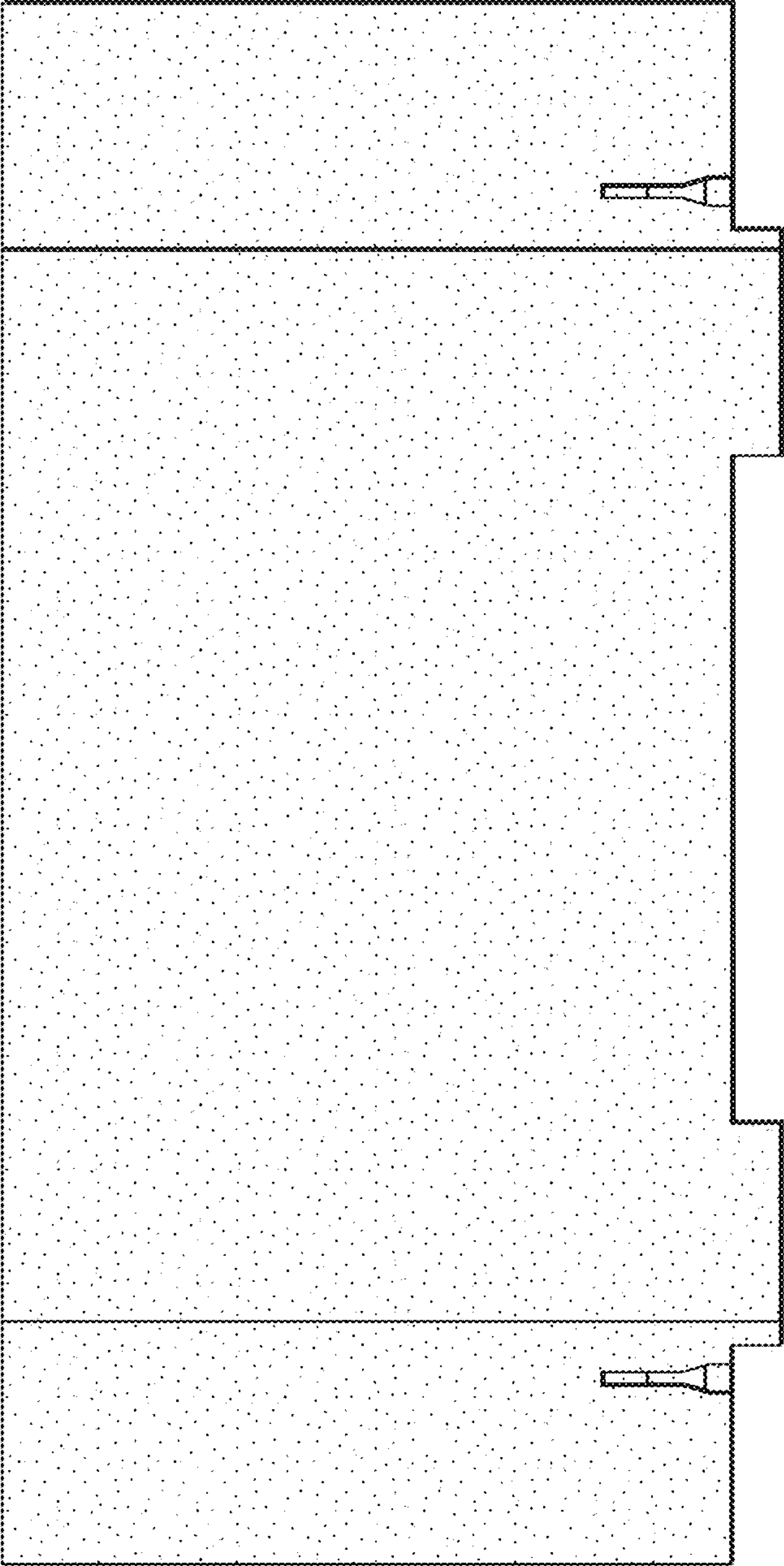


Fig. 6

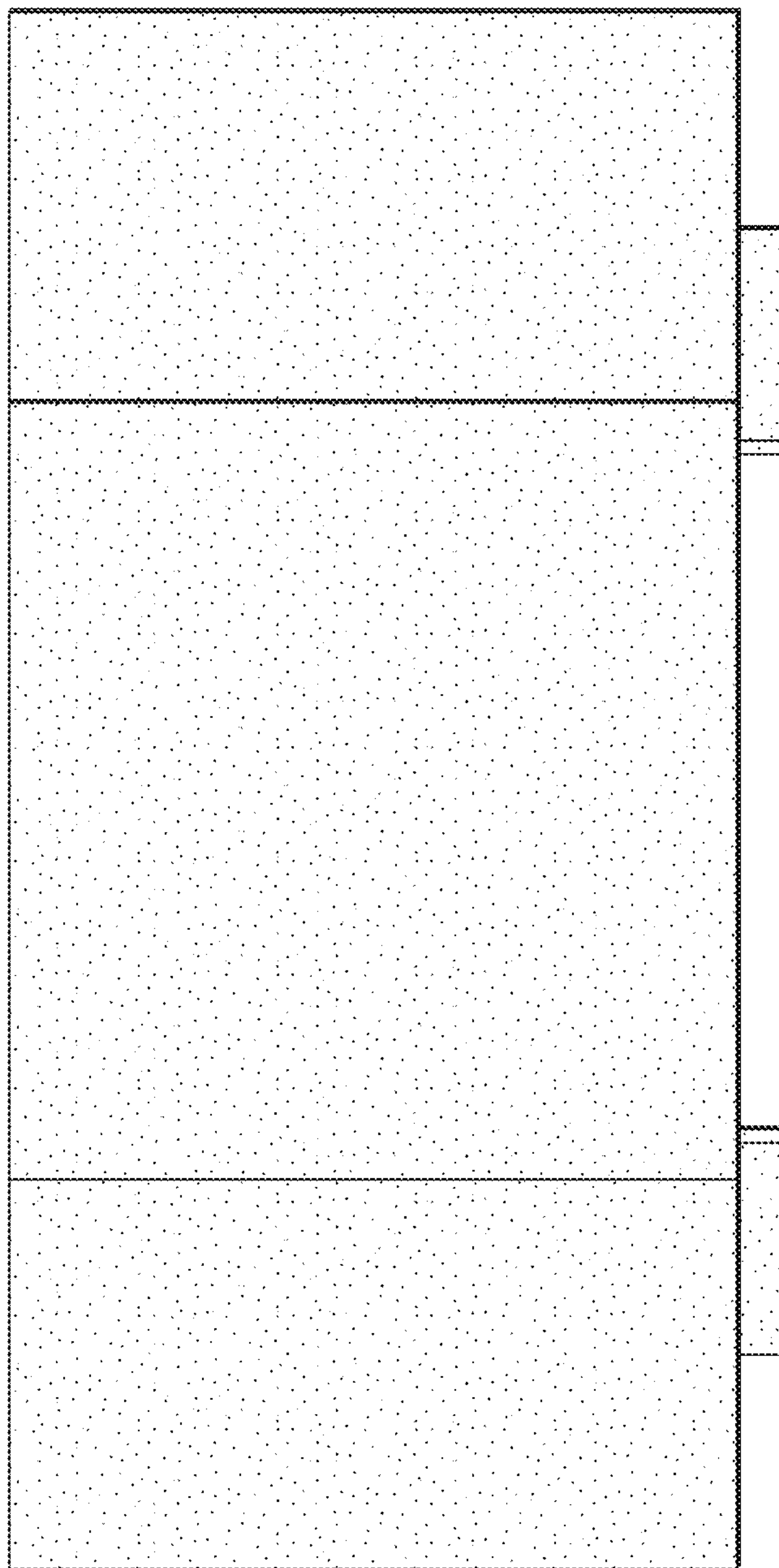


Fig. 7

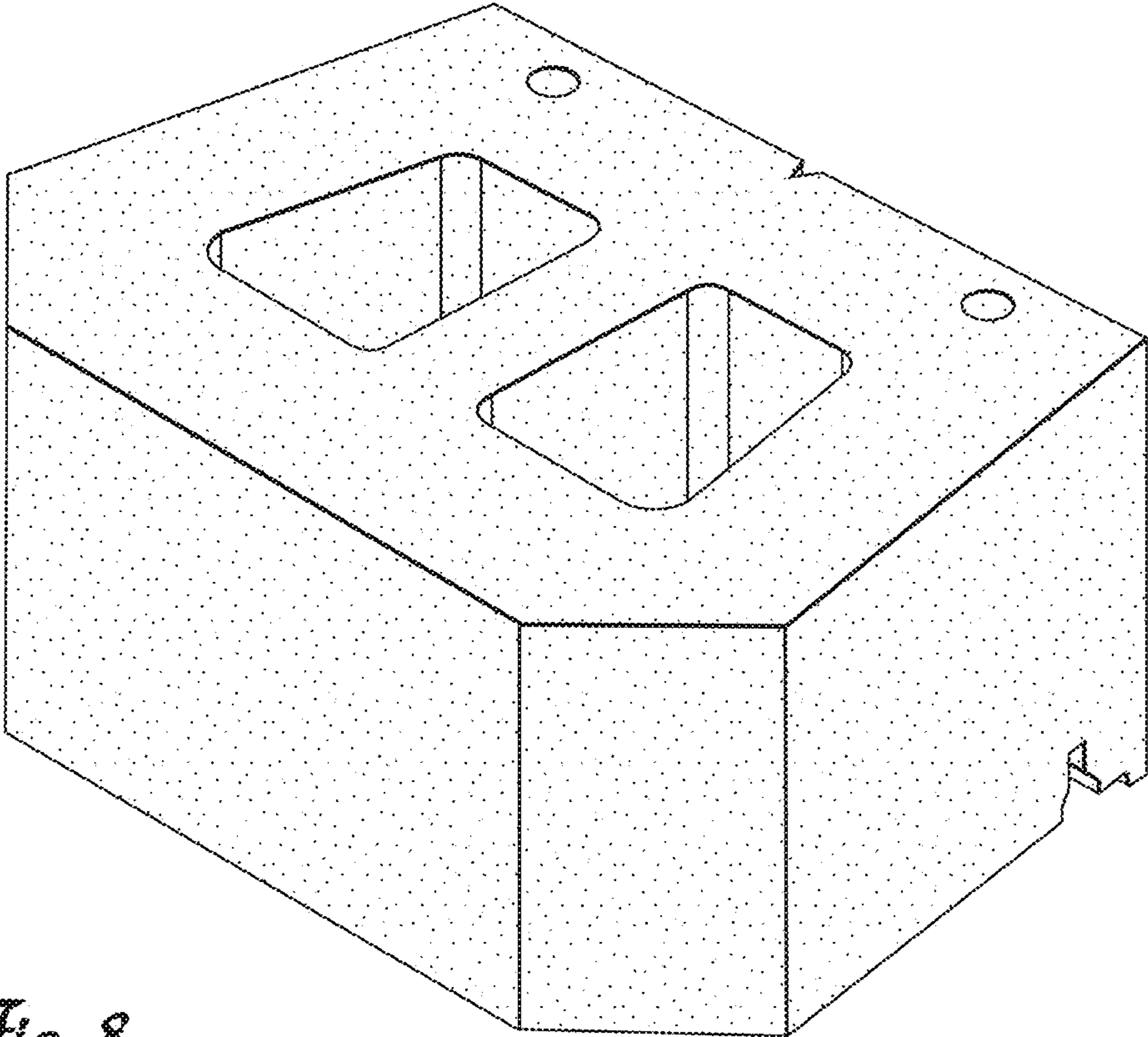


Fig. 8

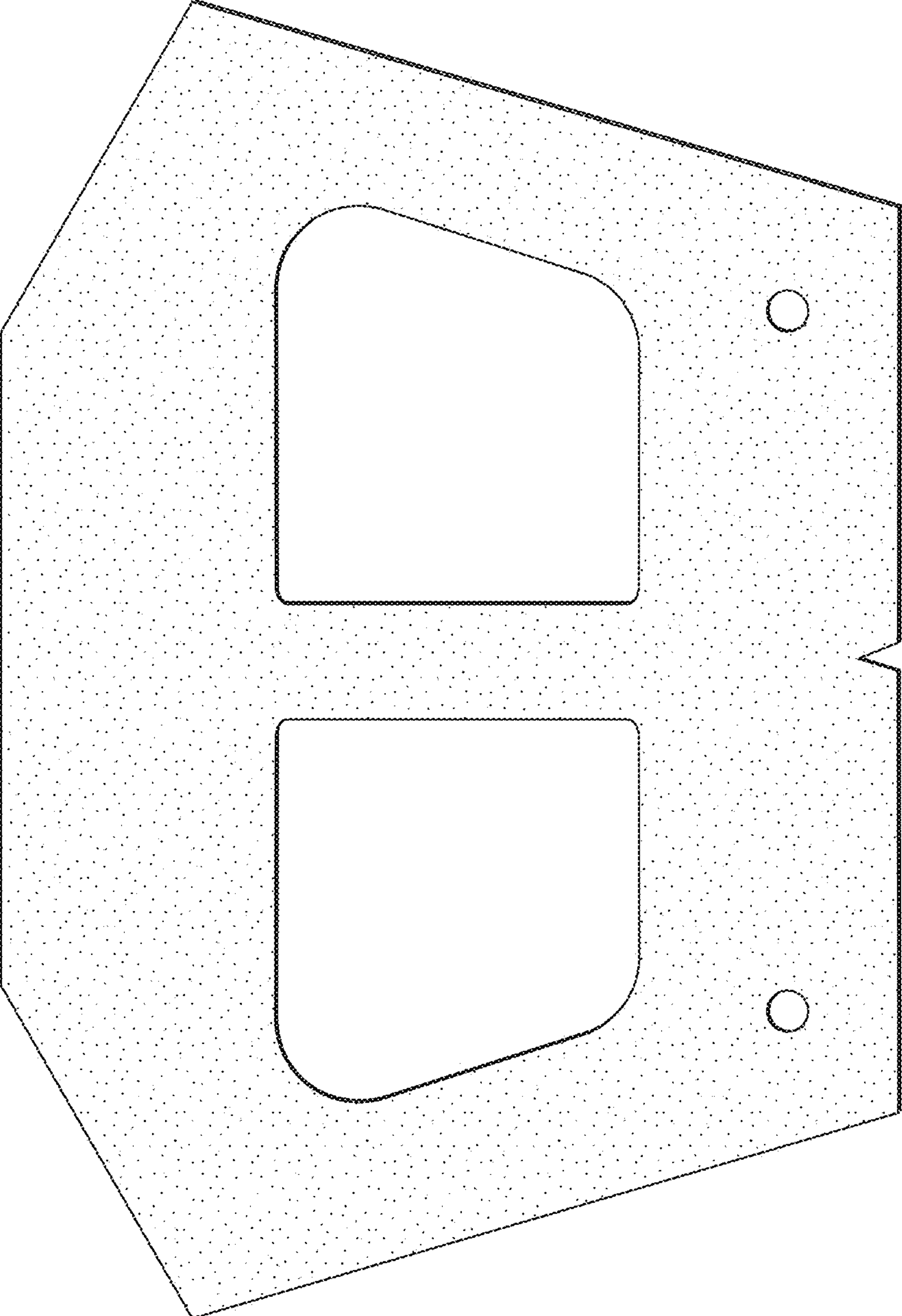


Fig. 9

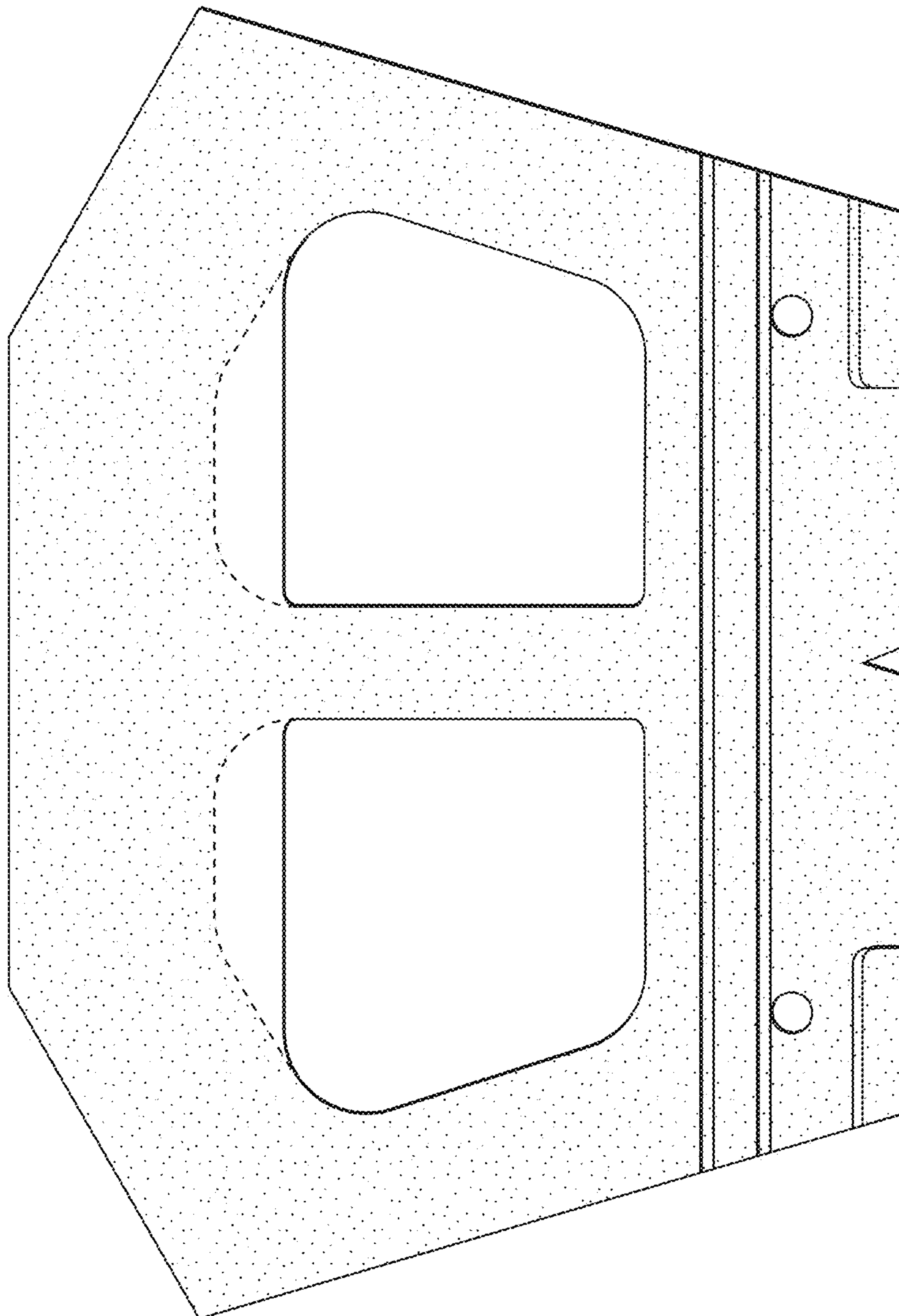


Fig. 10

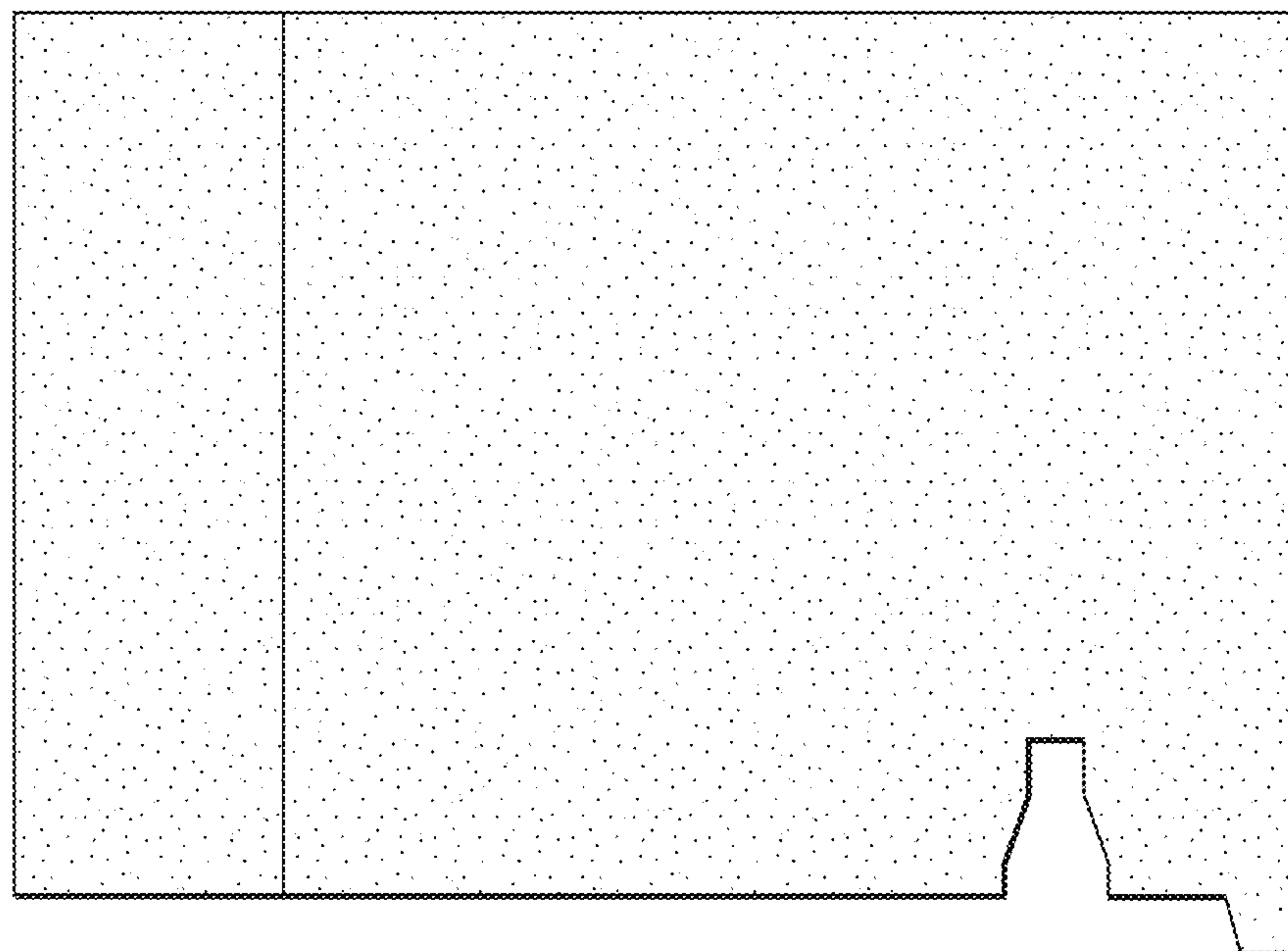


Fig. 11

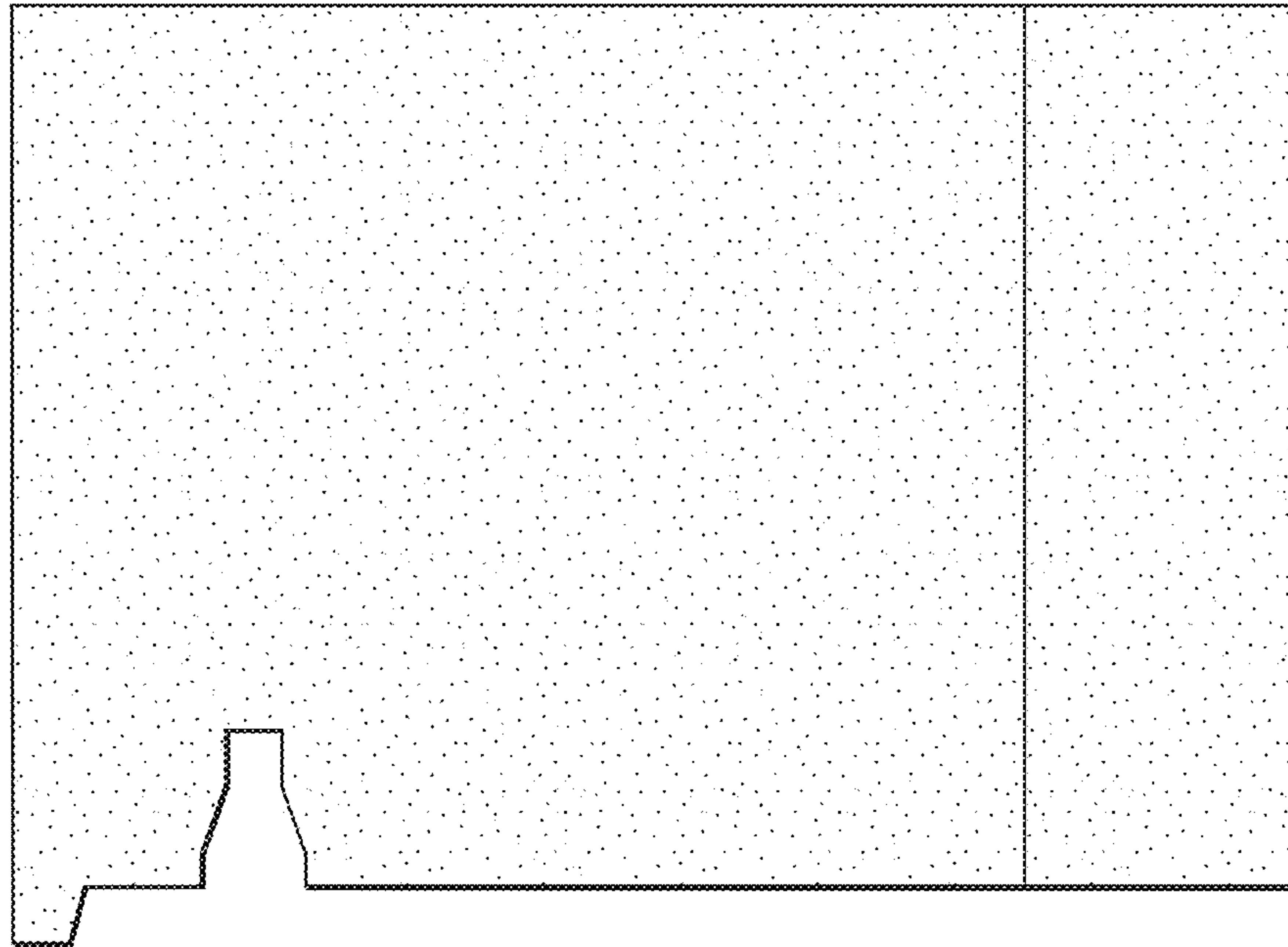


Fig. 12

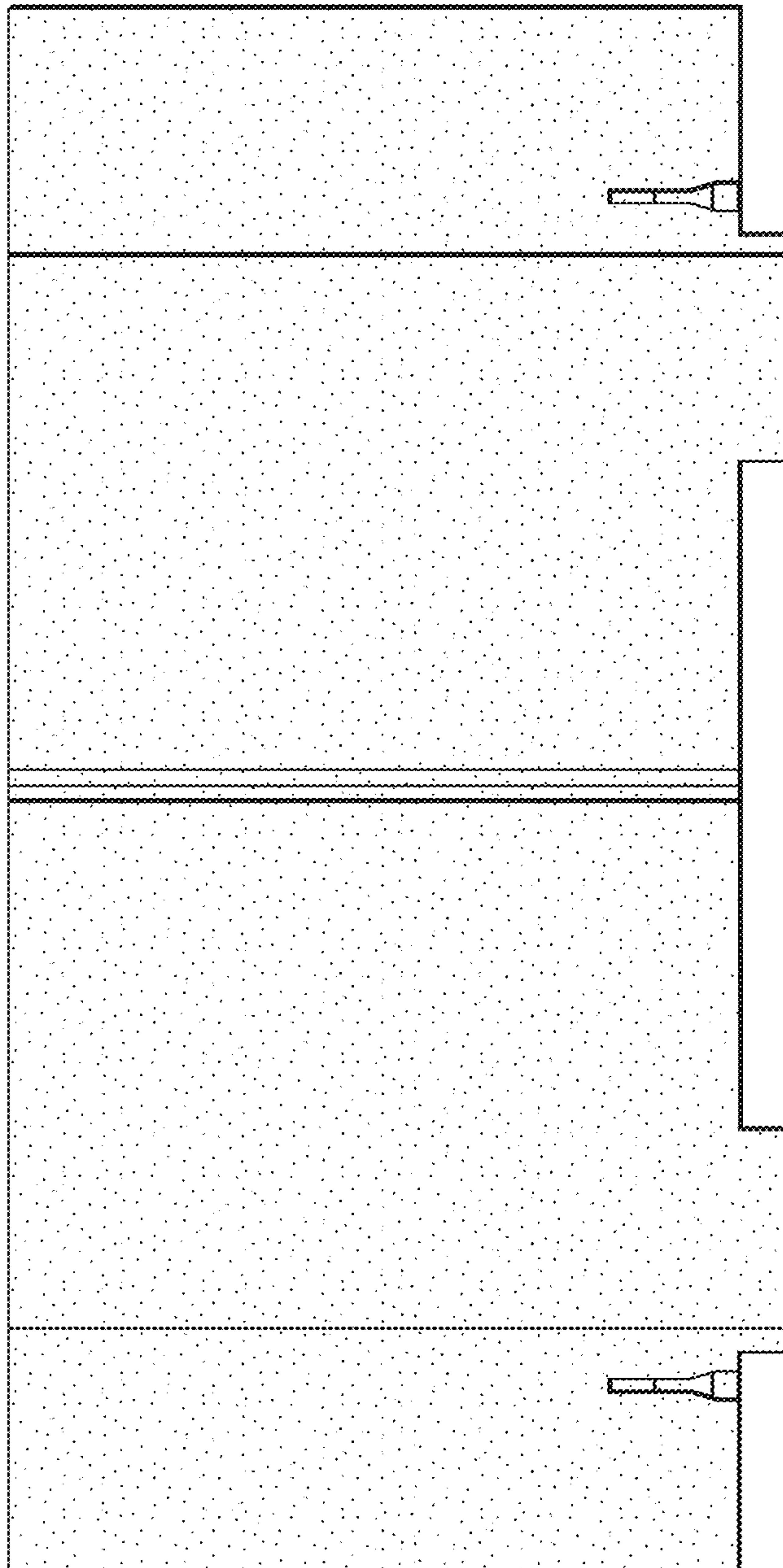


Fig. 13

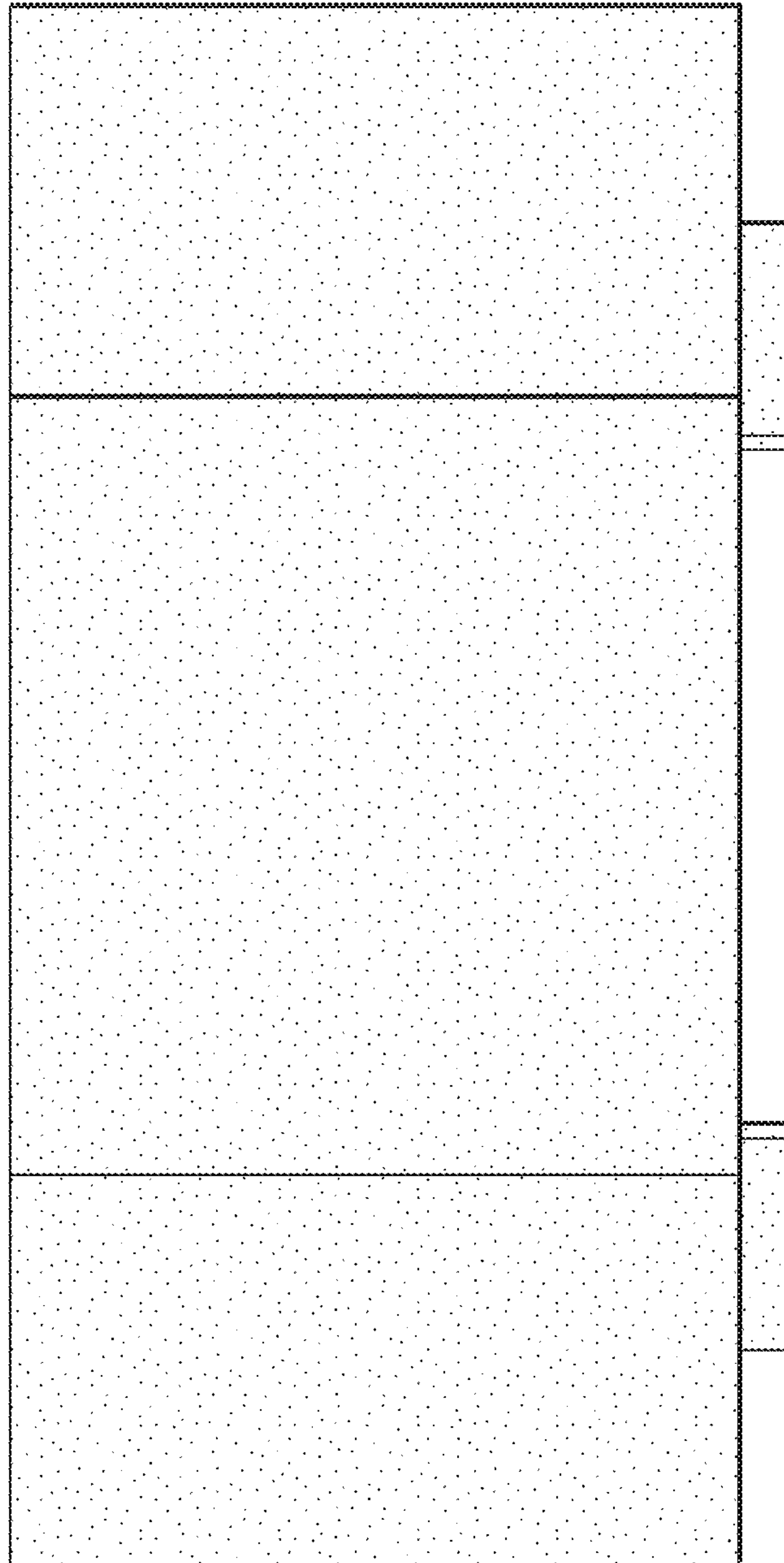


Fig. 14