



US00D685501S

(12) **United States Design Patent**  
**Schildmeyer**

(10) **Patent No.:** **US D685,501 S**

(45) **Date of Patent:** **\*\* Jul. 2, 2013**

(54) **FLUORESCENT BULB HOLDER**

*Primary Examiner* — Doris Clark

(76) **Inventor:** **Gregory B. Schildmeyer**, Cincinnati, OH (US)

(74) *Attorney, Agent, or Firm* — Neal O. Willmann

(\*\*) **Term:** **14 Years**

(57) **CLAIM**

(21) **Appl. No.:** **29/373,549**

The ornamental design for a fluorescent bulb holder, as shown and described.

(22) **Filed:** **Apr. 26, 2011**

(51) **LOC (9) Cl.** ..... **25-04**

(52) **U.S. Cl.**  
USPC ..... **D25/68**

(58) **Field of Classification Search**  
USPC ..... D25/68; 248/238, 210; 182/112,  
182/120; 206/419

See application file for complete search history.

**DESCRIPTION**

FIG. 1 is a perspective view of a fluorescent bulb holder showing my new design;  
FIG. 2 is a top plan view thereof;  
FIG. 3 is a front elevation view thereof;  
FIG. 4 is a right side elevation view thereof;  
FIG. 5 is a left side elevation view thereof;  
FIG. 6 is a rear elevation view thereof; and,  
FIG. 7 is a bottom plan view thereof.  
Broken lines are used to illustrate the environment of the claimed tool and form no part thereof.

(56) **References Cited**

**U.S. PATENT DOCUMENTS**

D273,996	S	*	5/1984	Rasler	.....	D25/68
4,613,042	A	*	9/1986	Aeschliman	.....	206/419
D324,272	S	*	2/1992	Thiel	.....	D25/68
5,542,535	A	*	8/1996	Dalton	.....	206/419

\* cited by examiner

**1 Claim, 3 Drawing Sheets**

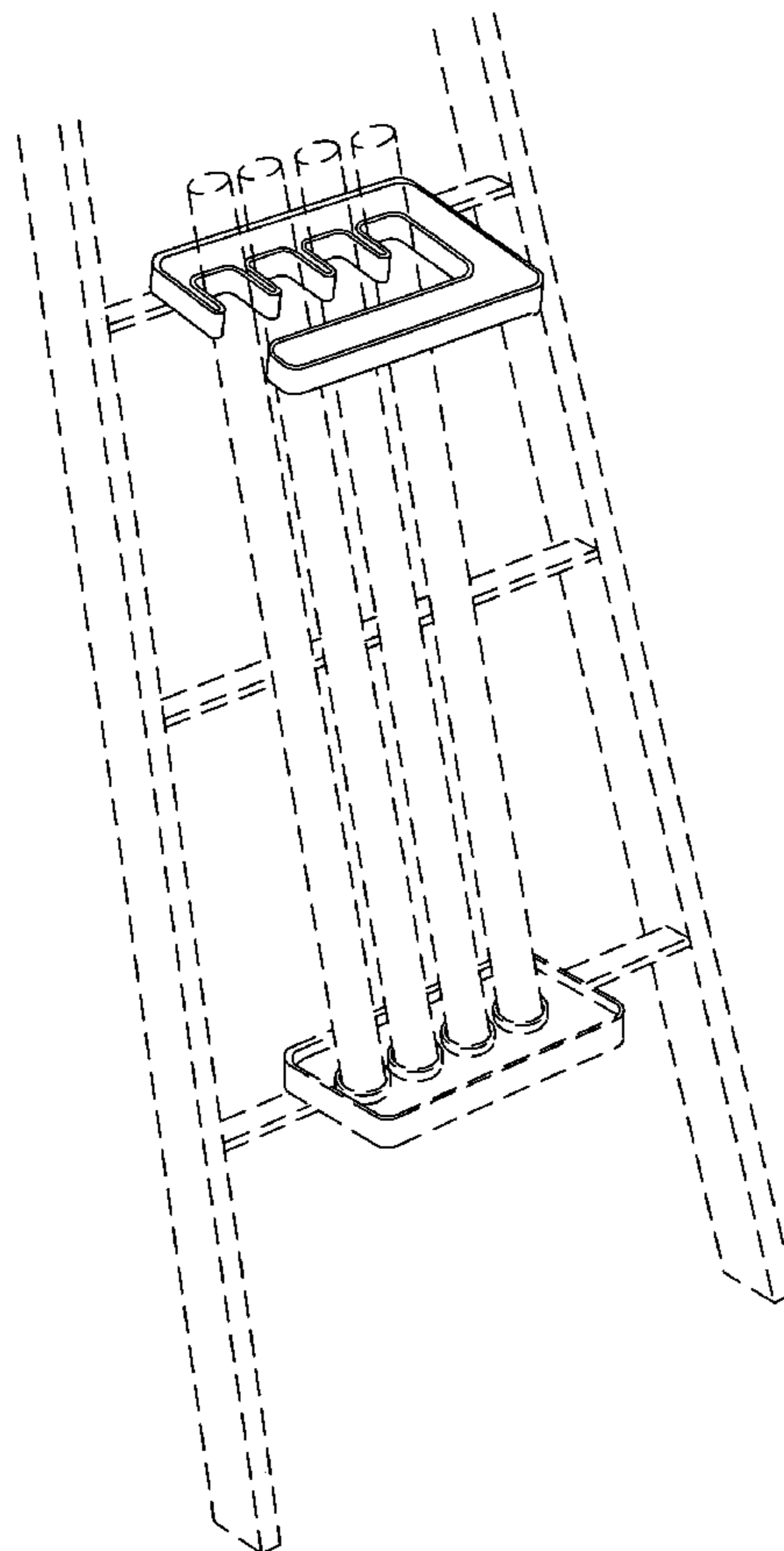


Fig. 1

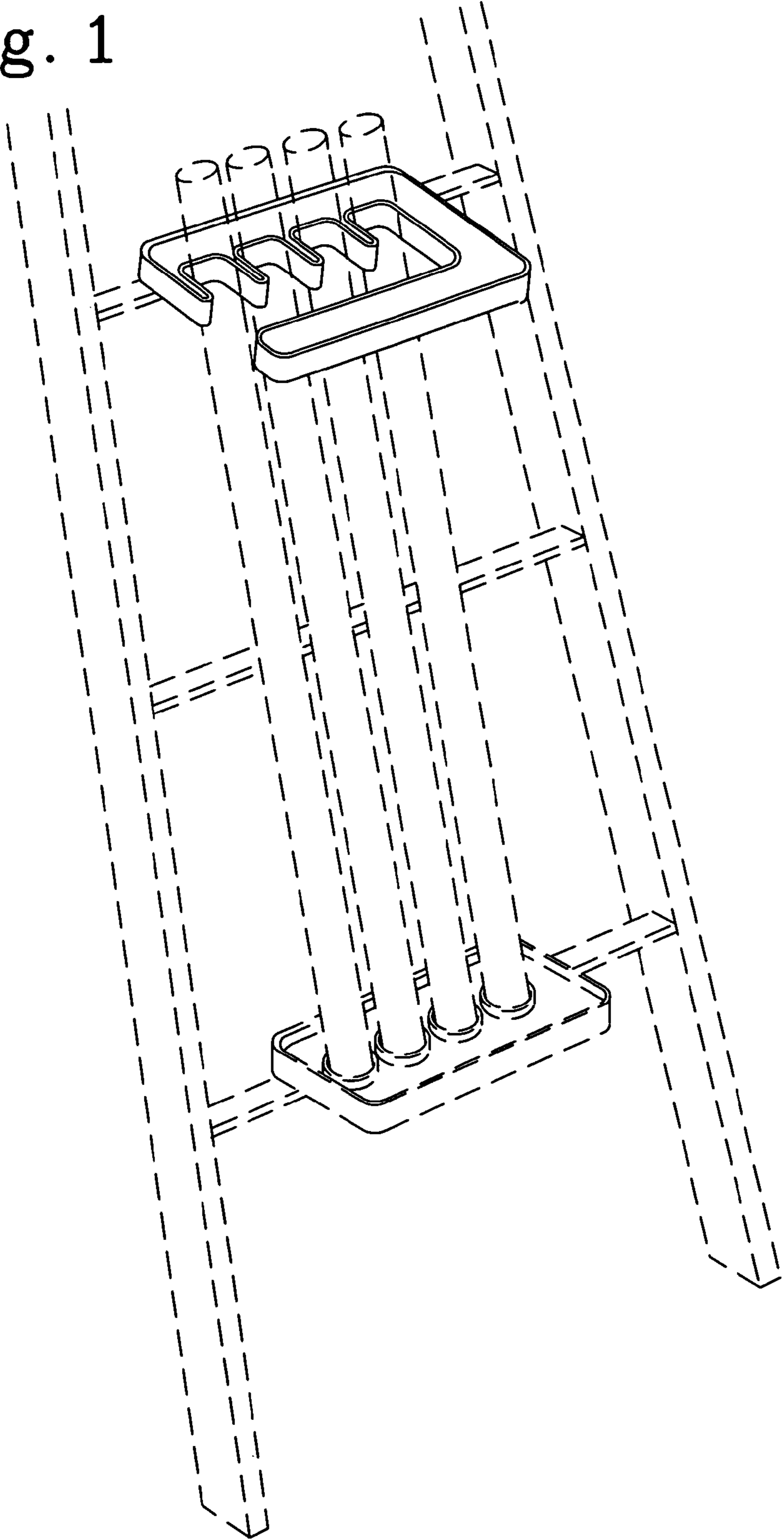


Fig. 2

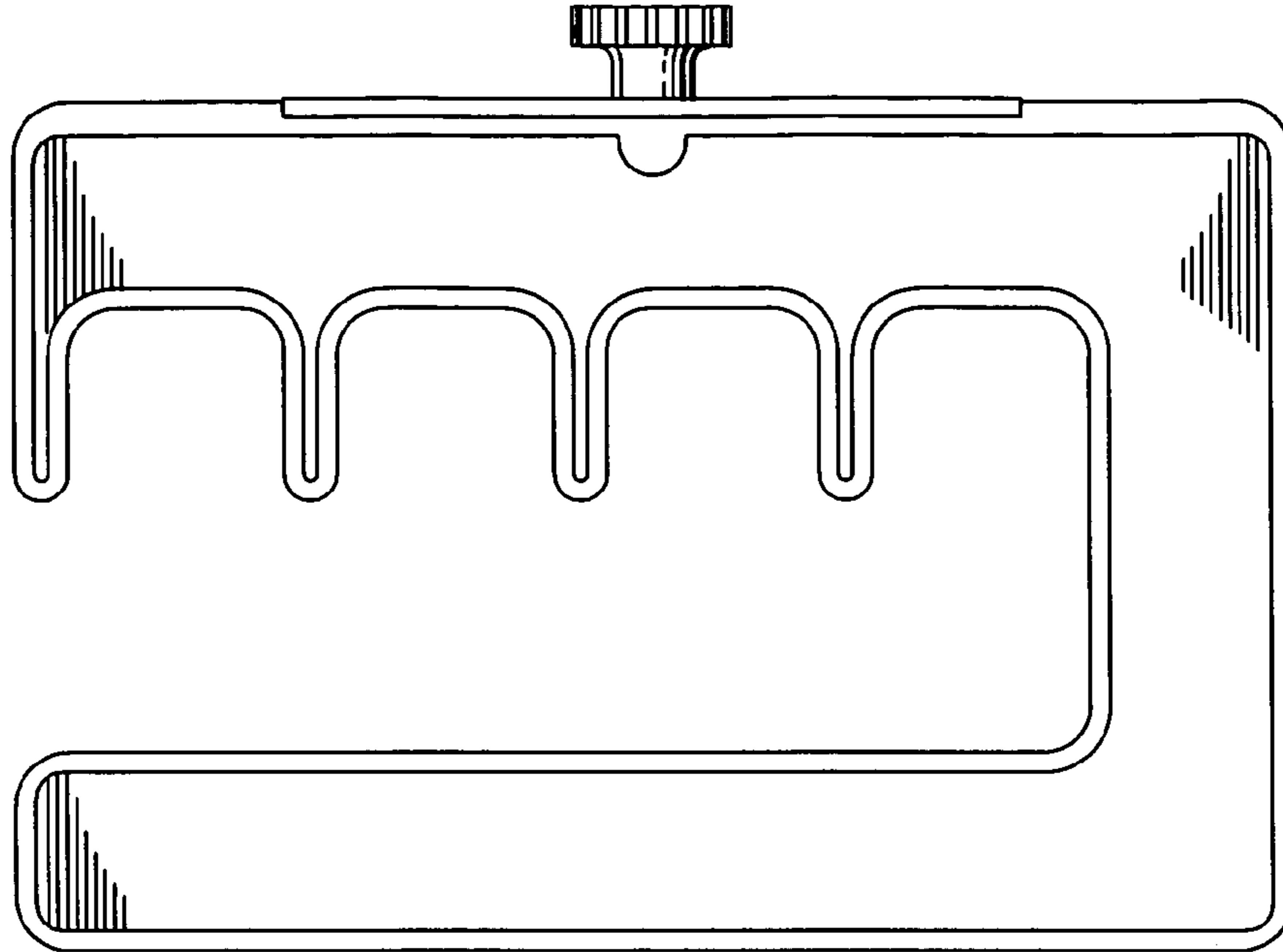


Fig. 3

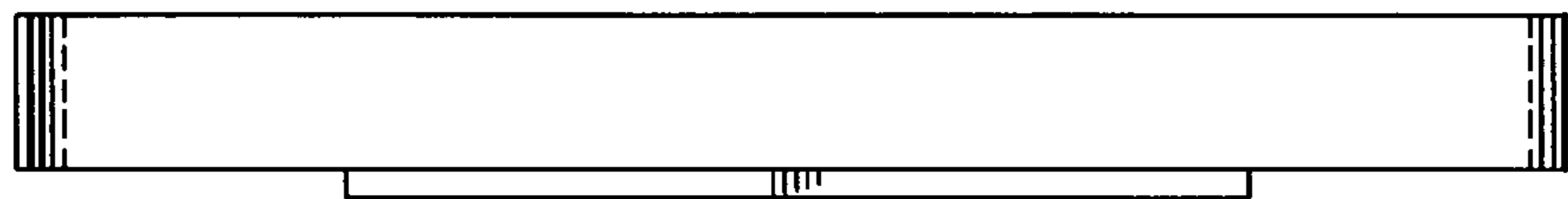


Fig. 4



Fig. 5

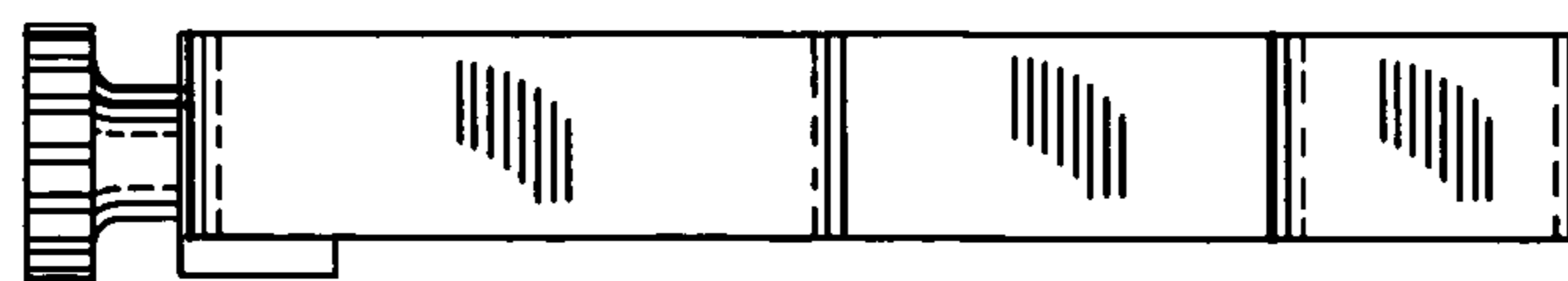


Fig. 6

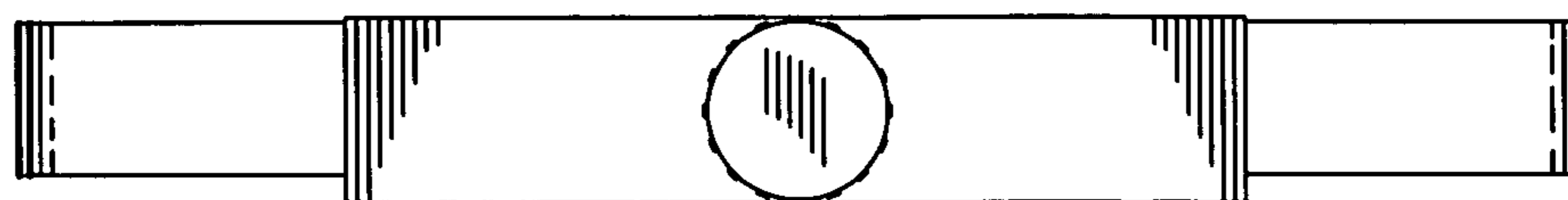


Fig. 7

