



US00D685499S

(12) **United States Design Patent**
Kimura et al.

(10) **Patent No.:** **US D685,499 S**
(45) **Date of Patent:** **** Jul. 2, 2013**

(54) **PUMP FOR LIQUID CHROMATOGRAPHY APPARATUS**

(75) Inventors: **Jun Kimura**, Kyoto Pref. (JP); **Masami Tomita**, Kyoto Pref. (JP)

(73) Assignee: **Shimadzu Corporation**, Kyoto (JP)

(**) Term: **14 Years**

(21) Appl. No.: **29/358,119**

(22) Filed: **Mar. 23, 2010**

(30) **Foreign Application Priority Data**

Nov. 18, 2009 (JP) 2009-026942

(51) **LOC (9) Cl.** **24-02**

(52) **U.S. Cl.**
USPC **D24/232**

(58) **Field of Classification Search**

USPC D10/81, 103, 75, 46; D24/224, 216,
D24/231-233, 138, 176; D14/399; 210/198.2,
210/656, 402.02, 657; 250/281-288, 427,
250/294, 292, 382, 384, 385.1; 422/70, 99-102;
530/350, 412

See application file for complete search history.

(56) **References Cited**

U.S. PATENT DOCUMENTS

D347,396 S * 5/1994 Ohnuma et al. D10/81
D356,967 S * 4/1995 Takekoshi et al. D10/81

D364,576 S * 11/1995 Glaser D10/75
D471,642 S * 3/2003 Alden et al. D24/231
D527,464 S * 8/2006 Ina et al. D24/216
D535,403 S * 1/2007 Isozaki et al. D24/232
D554,757 S * 11/2007 Haymann et al. D24/176
D588,276 S * 3/2009 Isozaki et al. D24/232
D591,864 S * 5/2009 Schmidt D24/216
D599,234 S * 9/2009 Ito D10/81
D612,503 S * 3/2010 Johnston et al. D24/186
D612,514 S * 3/2010 Johnston et al. D24/232
D629,112 S * 12/2010 Immekus D24/186

* cited by examiner

Primary Examiner — T. Chase Nelson

Assistant Examiner — Mark Cavanna

(74) *Attorney, Agent, or Firm* — J.C. Patents

(57) **CLAIM**

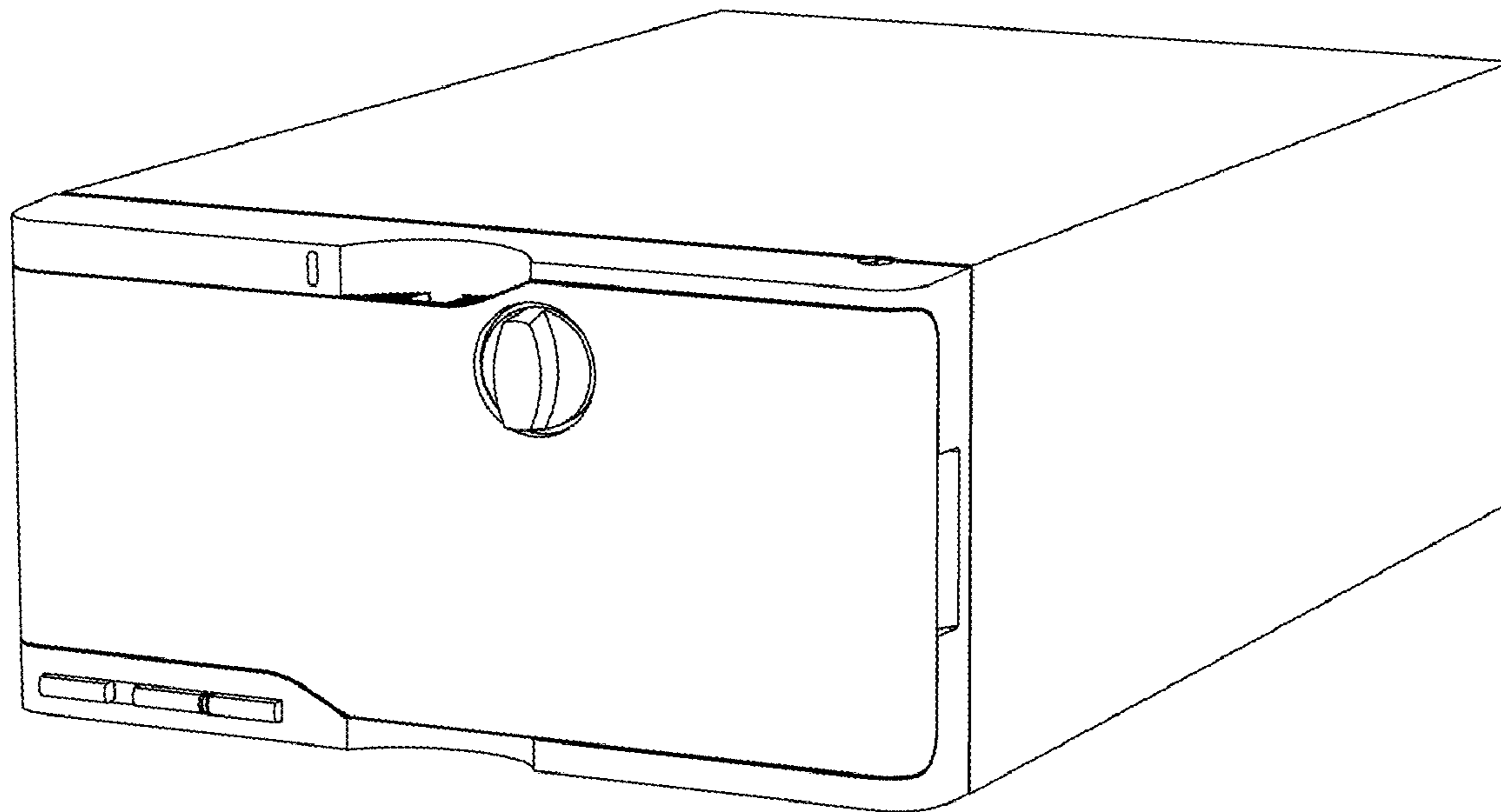
The ornamental design for pump for liquid chromatography apparatus, as shown and described.

DESCRIPTION

FIG. 1 is a perspective view of a pump for a liquid chromatography apparatus showing our new design;
FIG. 2 is a front view thereof;
FIG. 3 is a rear view thereof;
FIG. 4 is a left side view thereof;
FIG. 5 is a right side view thereof;
FIG. 6 is a top view thereof; and,
FIG. 7 is a bottom view thereof.

The broken lines are included for the purpose of illustrating unclaimed portions of the pump for liquid chromatography apparatus and form no part of the claimed design.

1 Claim, 5 Drawing Sheets



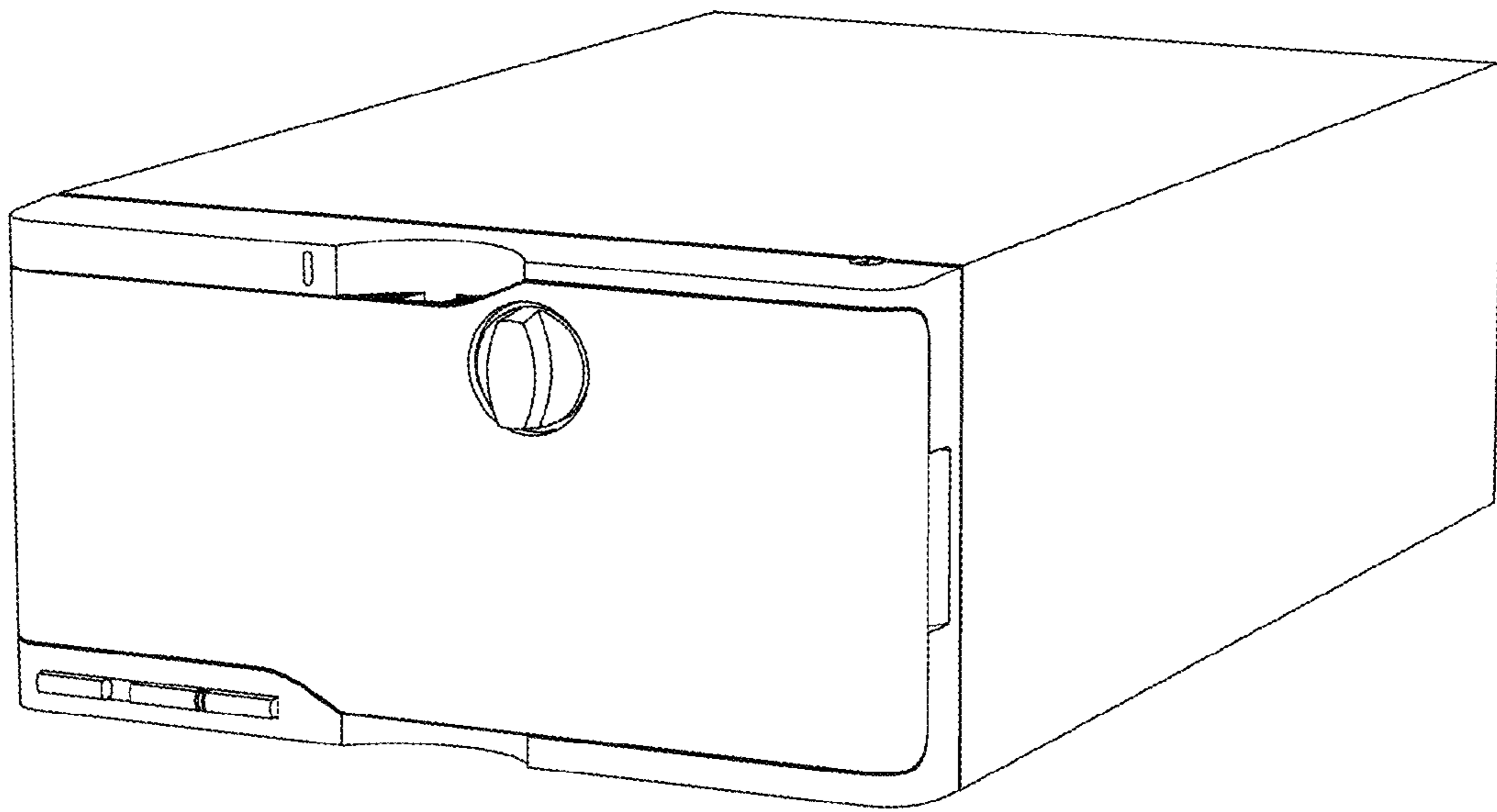


FIG. 1

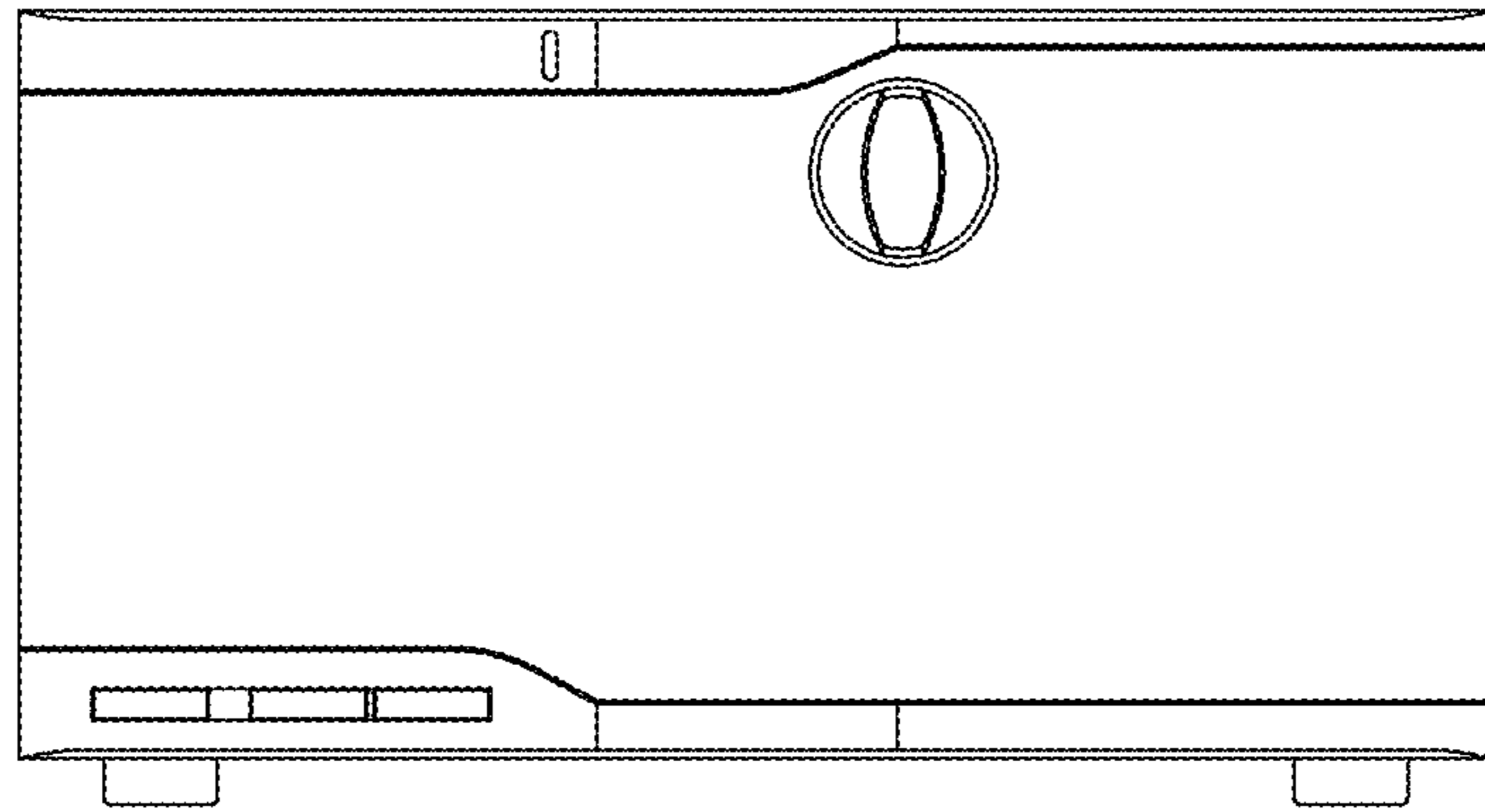


FIG. 2

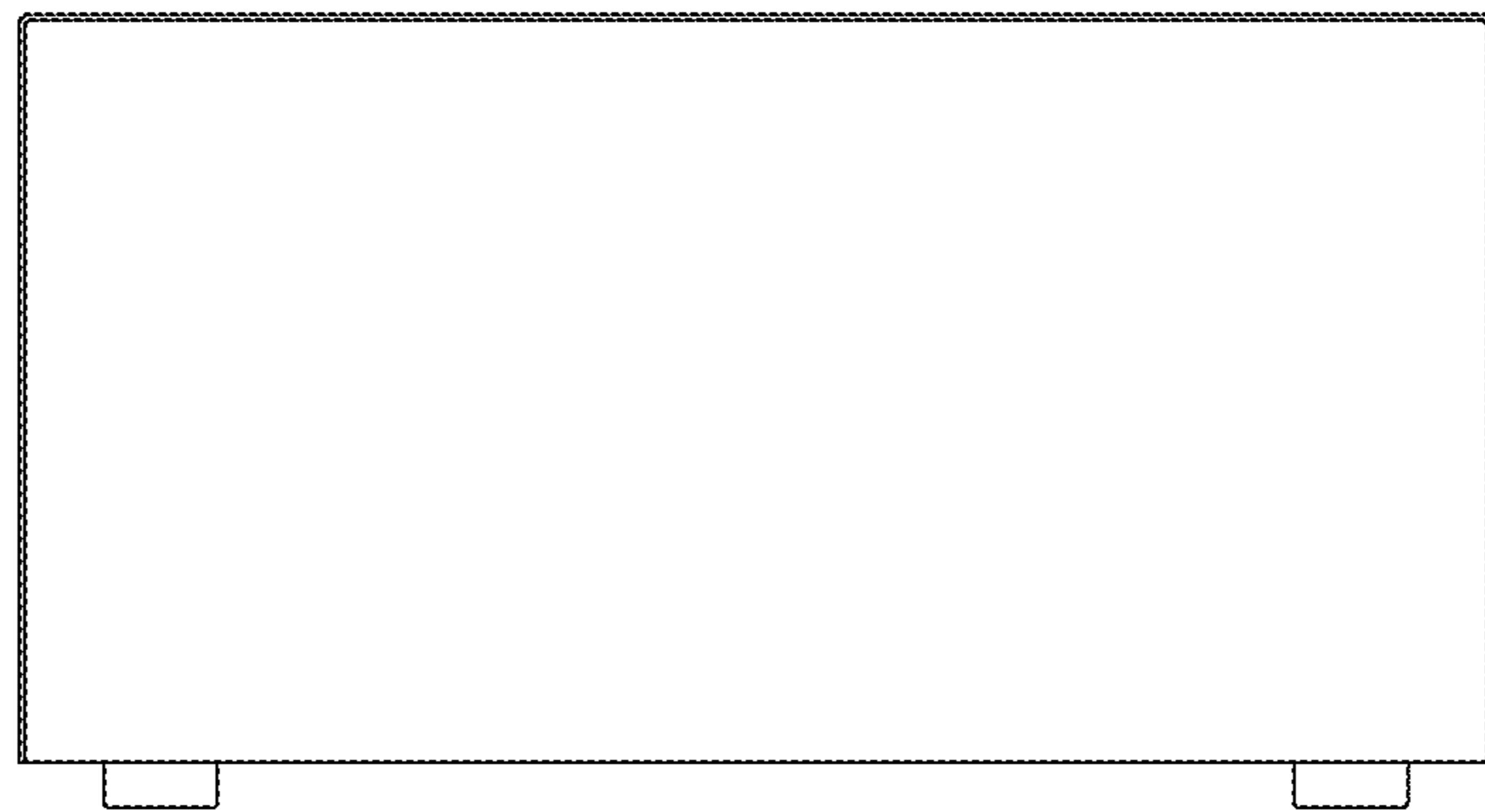


FIG. 3



FIG. 4

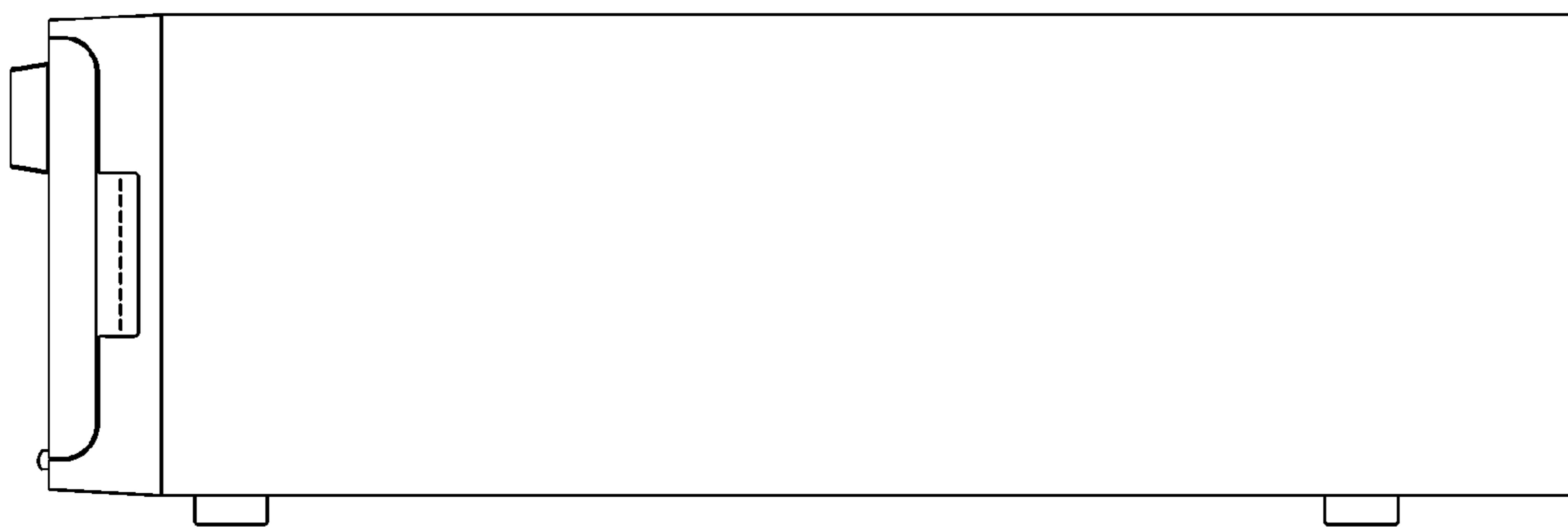


FIG. 5

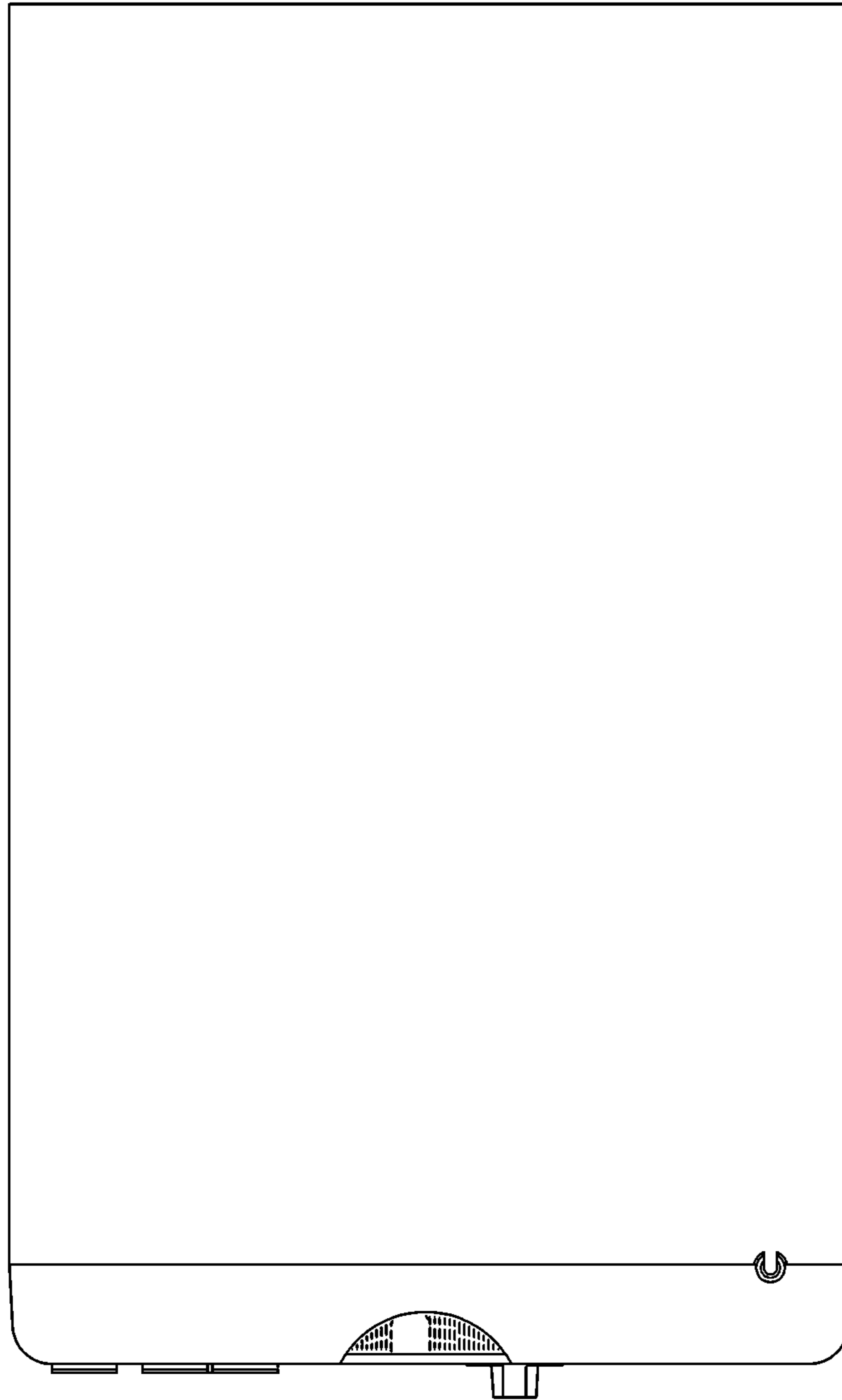


FIG. 6

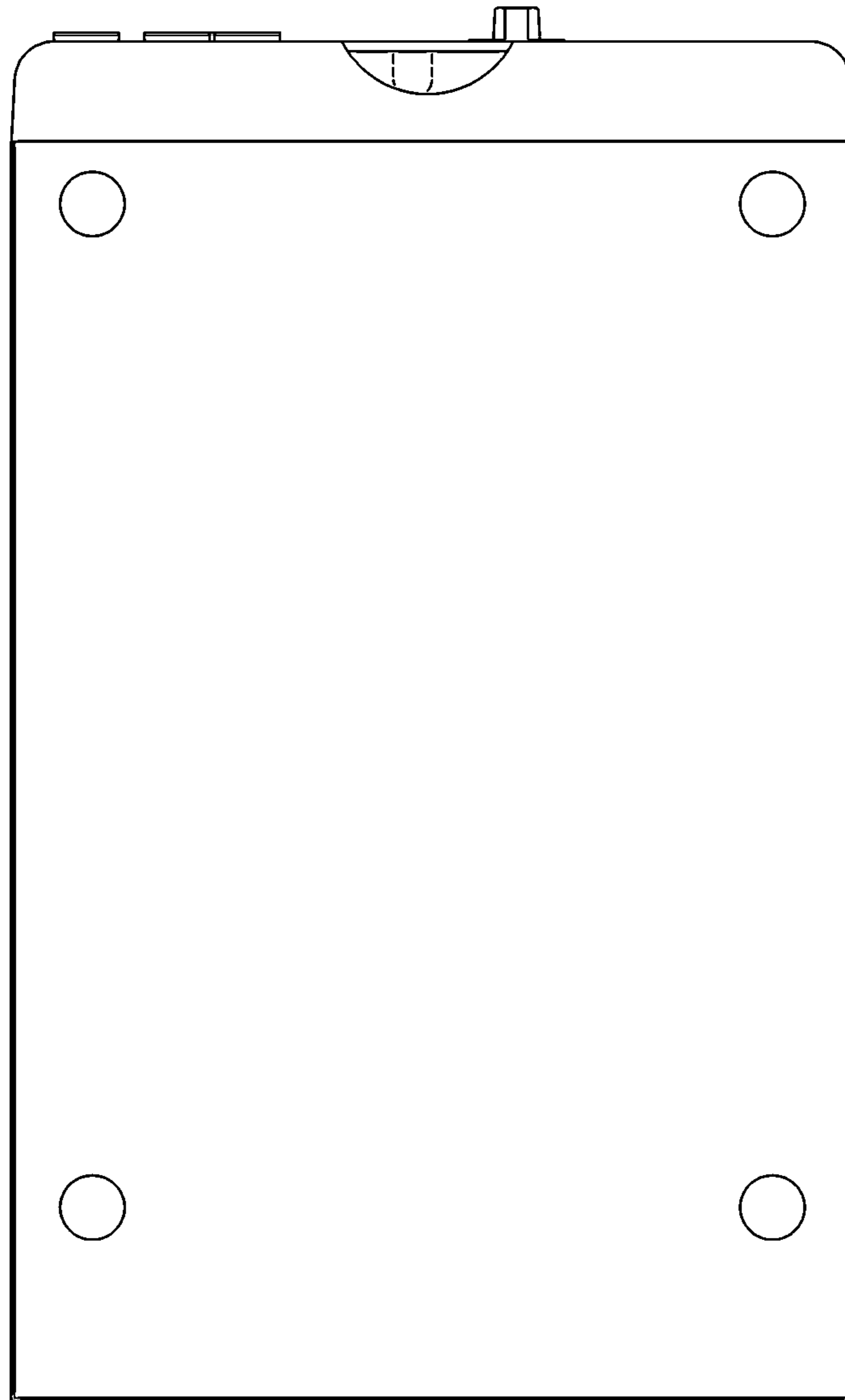


FIG. 7