



US00D685498S

(12) **United States Design Patent**  
**Steinman et al.**

(10) **Patent No.:** **US D685,498 S**  
(45) **Date of Patent:** **\*\* Jul. 2, 2013**

(54) **ORGAN OR TISSUE CRADLE**  
(75) Inventors: **Christopher P. Steinman**, Sandy, UT (US); **Rick W. Walker**, Stow, OH (US); **Kirk C. Palmerton**, Kent, OH (US); **Jeffrey S. Louis**, Akron, OH (US); **David Pettinato**, Schaumburg, IL (US); **Matthew Copithorne**, Framingham, MA (US); **Brian Otts**, Warrior, AL (US); **Peter Demuylder**, Londerzeel (BE); **James Guarrera**, New York, NY (US)

(73) Assignee: **Lifeline Scientific, Inc.**, Itasca, IL (US)

(\*\*) Term: **14 Years**

(21) Appl. No.: **29/426,748**

(22) Filed: **Jul. 10, 2012**

(51) **LOC (9) Cl.** ..... **24-01**

(52) **U.S. Cl.**  
USPC ..... **D24/227; D24/216**

(58) **Field of Classification Search**  
USPC ..... D24/107, 23, 169, 176, 216, 224, D24/227-230; 422/99, 102, 104, 297, 300; 604/29; D6/406.1, 406.2, 406.3, 601; D7/500, D7/550.1, 543, 602, 554.3, 361, 354, 587; D10/91-92, 94; 62/4, 78, 306; 435/284.1, 435/1.1

See application file for complete search history.

(56) **References Cited**

**U.S. PATENT DOCUMENTS**

3,654,085	A *	4/1972	Noar	435/284.1
3,810,367	A *	5/1974	Peterson	435/1.1
3,995,444	A *	12/1976	Clark et al.	435/284.1
4,186,565	A *	2/1980	Toledo-Pereyra	435/284.1
4,242,883	A *	1/1981	Toledo-Pereyra	62/306
4,502,295	A *	3/1985	Toledo-Pereyra	62/306
4,723,974	A *	2/1988	Ammerman	62/4

4,745,759	A *	5/1988	Bauer et al.	435/284.1
4,766,740	A *	8/1988	Bradley et al.	62/384
D308,249	S *	5/1990	Buckley	D24/169
D312,422	S *	11/1990	Stephens	D10/92
D314,716	S *	2/1991	Busse	D10/91
5,157,930	A *	10/1992	McGhee et al.	62/78
D351,470	S *	10/1994	Scherer et al.	D24/169
5,634,896	A *	6/1997	Bryant et al.	604/29
D445,048	S *	7/2001	Rodgers et al.	D10/94
D453,828	S *	2/2002	Brassil et al.	D24/109
D463,302	S *	9/2002	Ariyama et al.	D10/91
D468,436	S *	1/2003	Brassil et al.	D24/224
6,582,953	B2 *	6/2003	Brasile	435/284.1
6,673,594	B1 *	1/2004	Owen et al.	435/284.1
6,803,227	B2 *	10/2004	Wood et al.	435/284.1
D522,393	S *	6/2006	Schumann	D10/91
D524,670	S *	7/2006	Carls	D10/91

(Continued)

*Primary Examiner* — T. Chase Nelson

*Assistant Examiner* — Mark Cavanna

(74) *Attorney, Agent, or Firm* — Oliff & Berridge, PLC

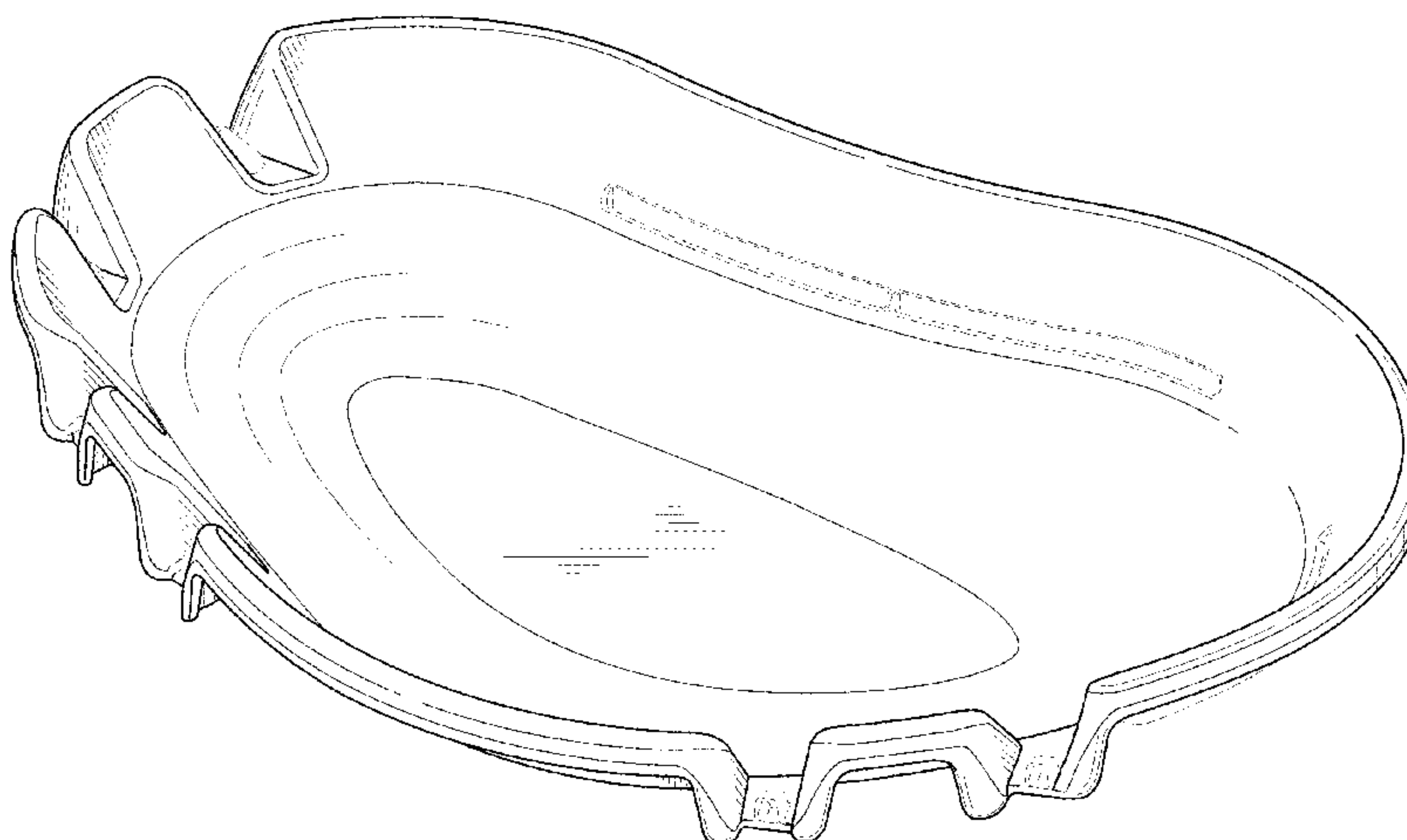
(57) **CLAIM**

The ornamental design for an organ or tissue cradle, as shown and described.

**DESCRIPTION**

FIG. 1 is a perspective view of an organ or tissue cradle; FIG. 2 is a front view thereof; FIG. 3 is a top view thereof; FIG. 4 is a right-side view thereof; FIG. 5 is a left-side view thereof; FIG. 6 is a rear view thereof; FIG. 7 is a bottom view thereof; FIG. 8 is a cross sectional view thereof taken along lines 8-8 in FIG. 3; and, FIG. 9 is a cross sectional view thereof taken along lines 9-9 in FIG. 3. The broken lines depict unclaimed portions only and form no part of the claimed design.

**1 Claim, 7 Drawing Sheets**



# US D685,498 S

Page 2

---

## U.S. PATENT DOCUMENTS

D531,319 S *	10/2006	Schein et al. ....	D24/216	D618,821 S *	6/2010	Larsen .....	D24/227
D531,320 S *	10/2006	Garland et al. ....	D24/107	D638,137 S *	5/2011	Gross et al. ....	D24/227
D543,880 S *	6/2007	Matsumoto et al. ....	D10/91	D645,157 S *	9/2011	Fallon et al. ....	D24/227
D543,882 S *	6/2007	Kousuge .....	D10/91	D650,912 S *	12/2011	Tomes et al. ....	D24/227
D554,012 S *	10/2007	Medugorac .....	D10/91	2010/0304352 A1 *	12/2010	Patrick et al. ....	435/1.2

\* cited by examiner

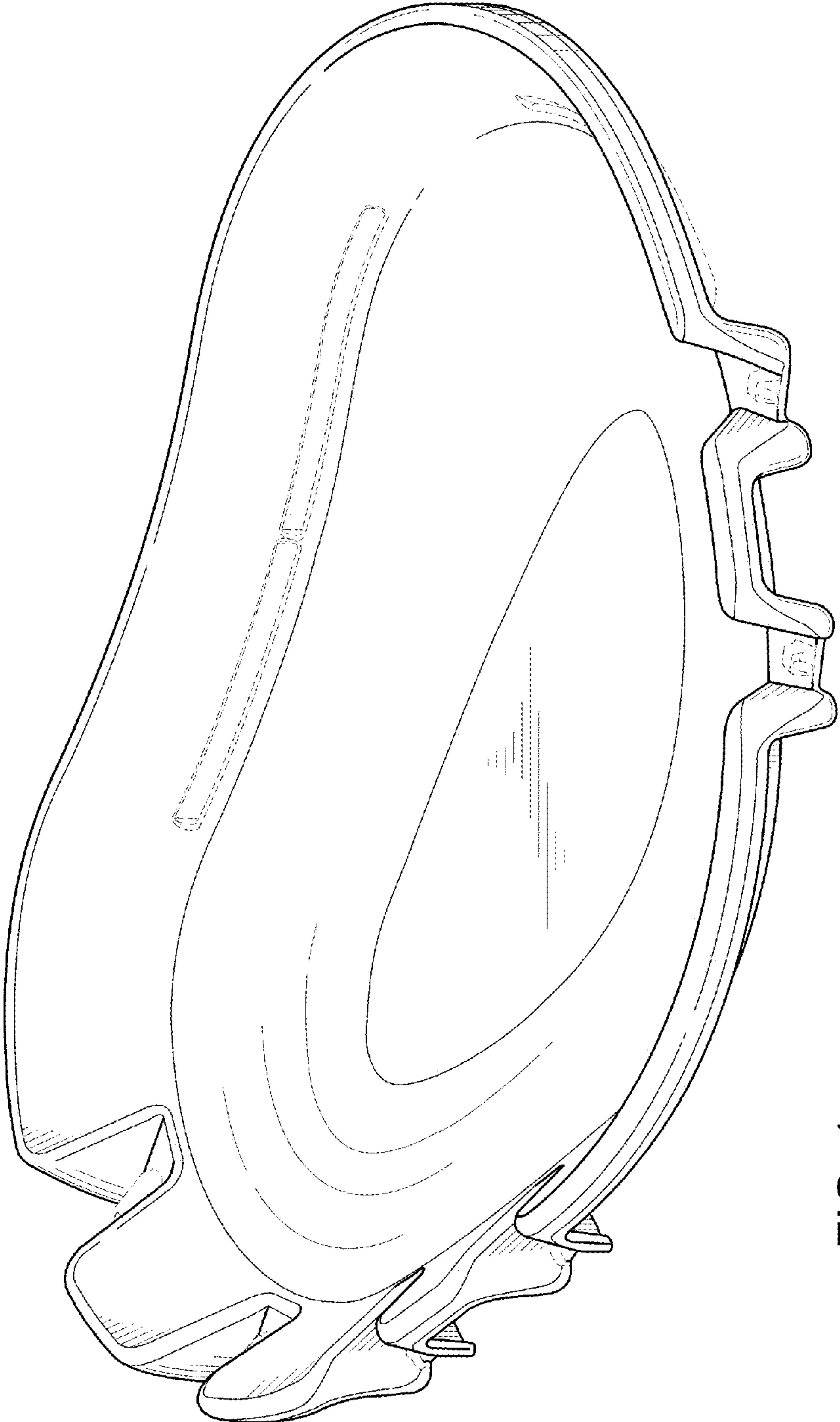


FIG. 1

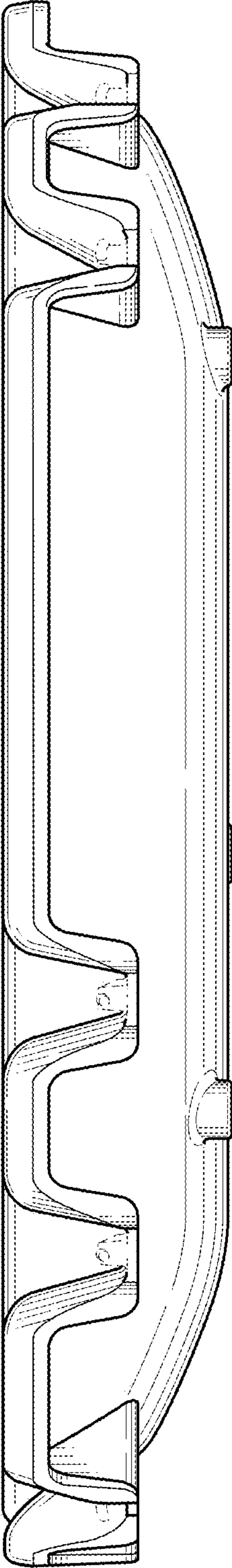


FIG. 2



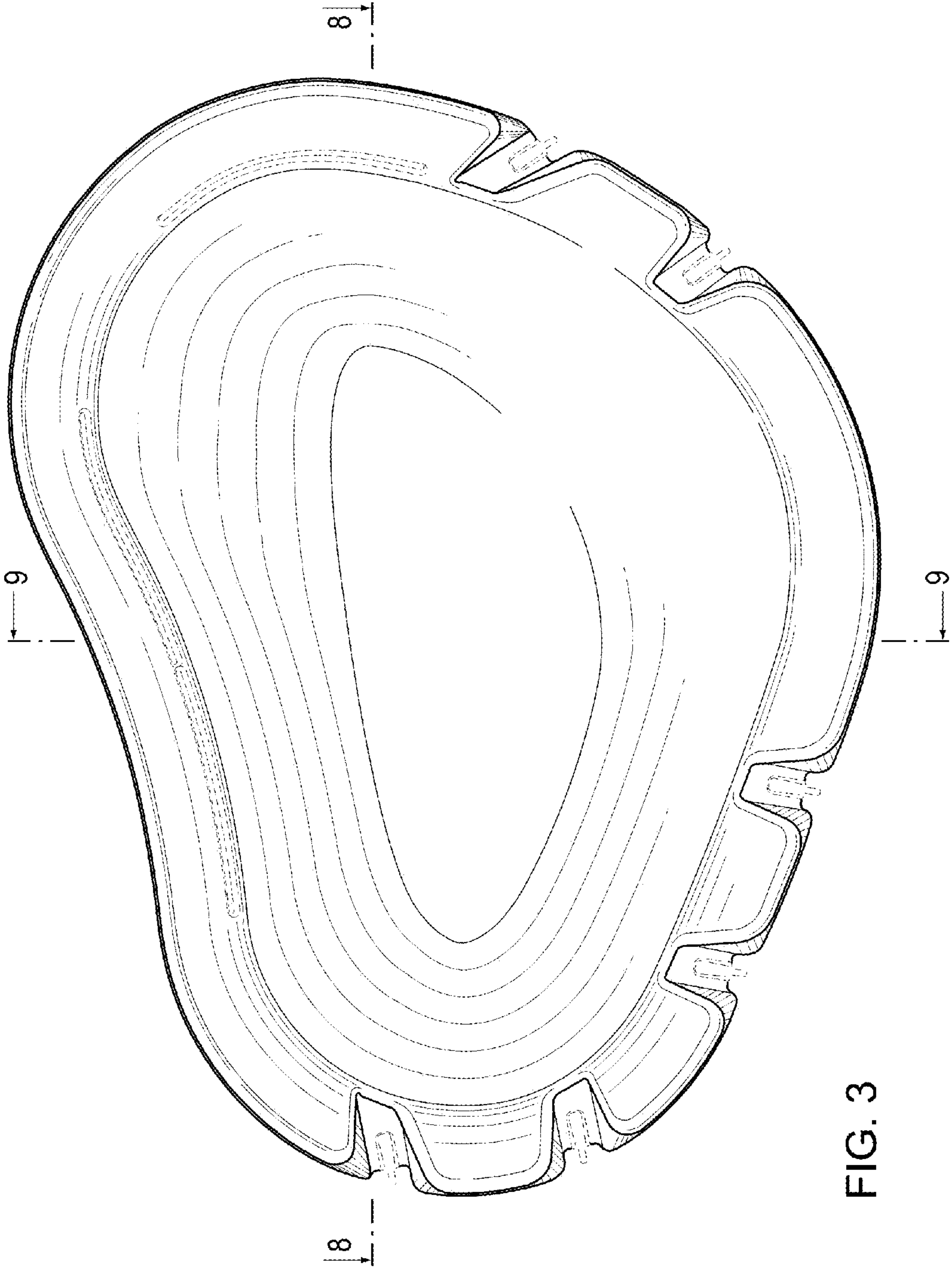


FIG. 3

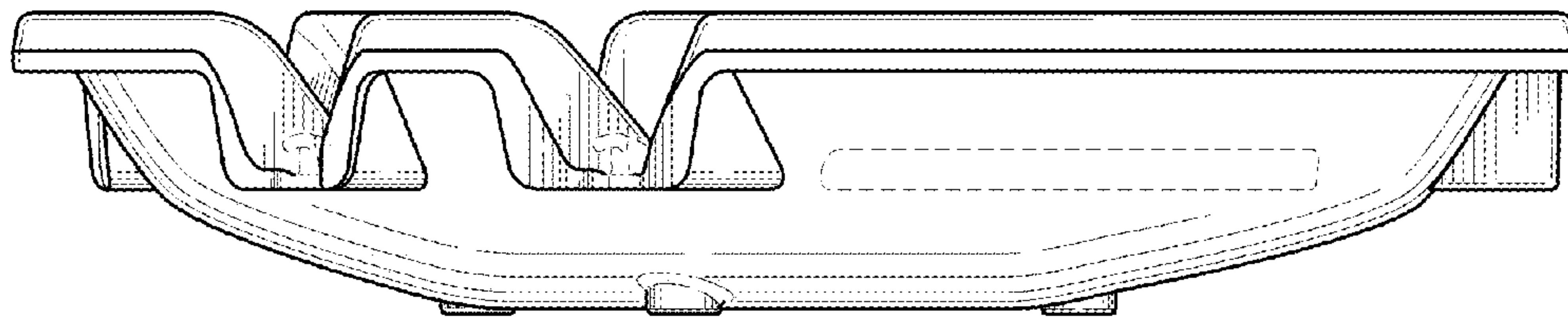


FIG. 4

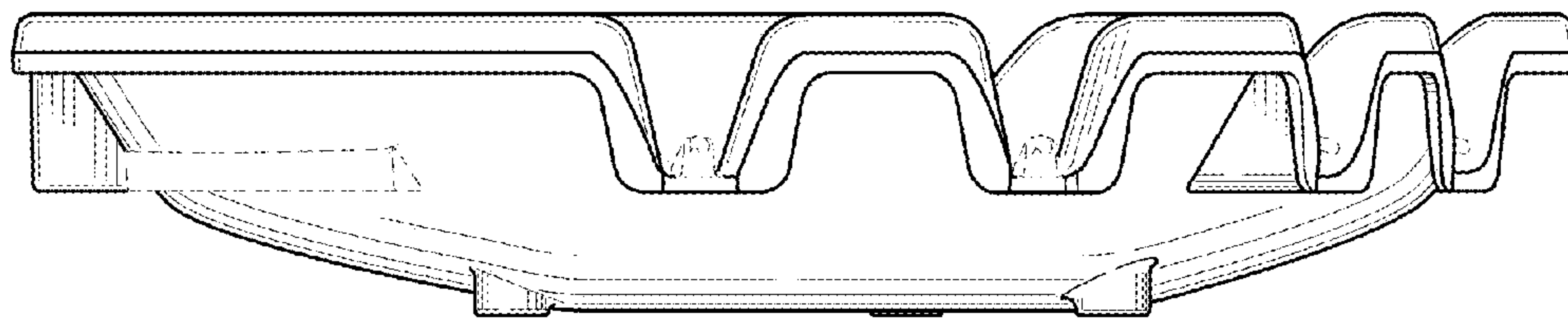


FIG. 5

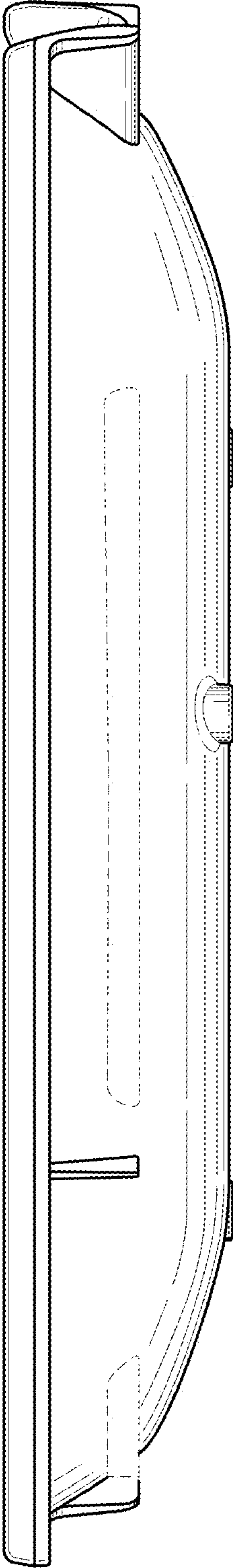


FIG. 6

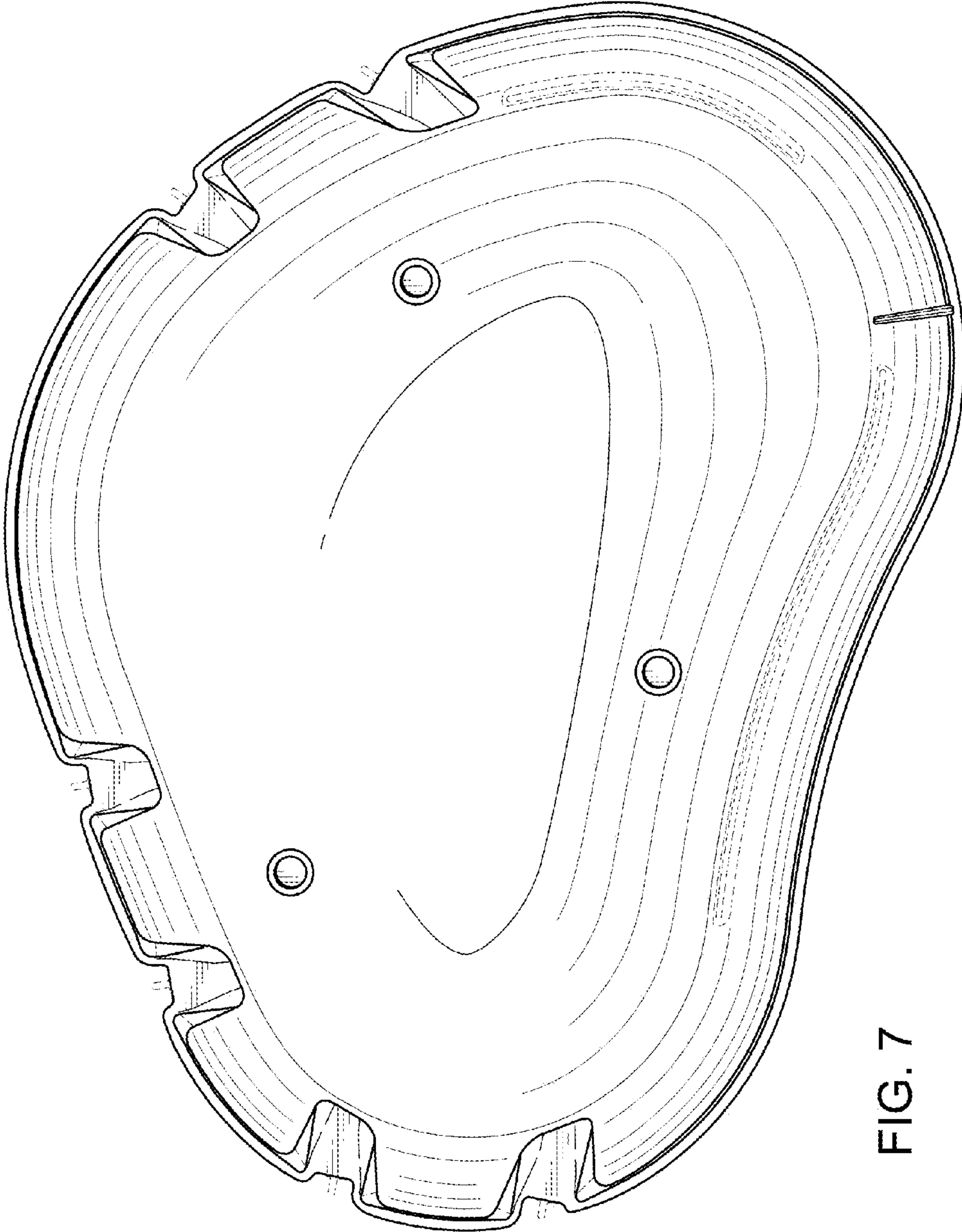


FIG. 7



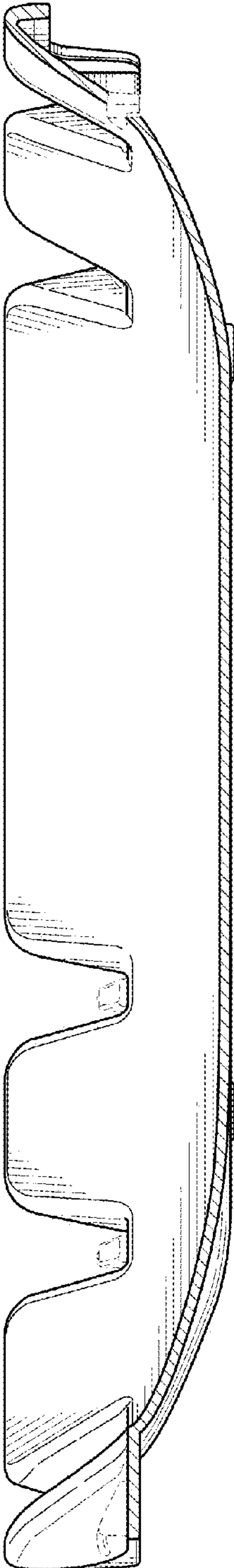


FIG. 8

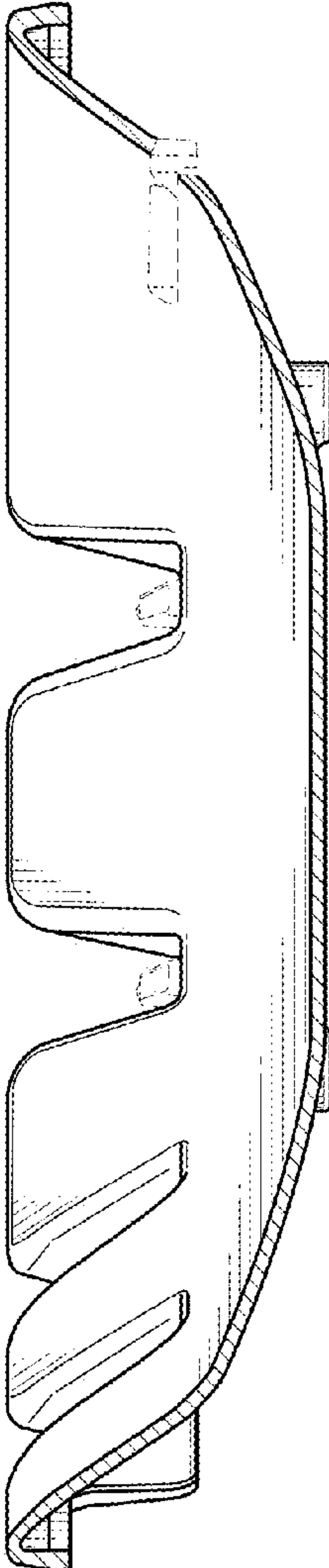


FIG. 9