



US00D685496S

(12) **United States Design Patent**
Lee et al.

(10) **Patent No.:** **US D685,496 S**
(45) **Date of Patent:** **** Jul. 2, 2013**

(54) **DISK FOR CHECKING BODY FLUID**

(71) Applicants: **Beom-Seok Lee**, Hwaseong (KR);
Young-Goun Lee, Seoul (KR)

(72) Inventors: **Beom-Seok Lee**, Hwaseong (KR);
Young-Goun Lee, Seoul (KR)

(73) Assignee: **Samsung Electronics Co., Ltd.**,
Suwon-si, Gyeonggi-do (KR)

(**) Term: **14 Years**

(21) Appl. No.: **29/438,062**

(22) Filed: **Nov. 26, 2012**

(30) **Foreign Application Priority Data**

Jun. 1, 2012 (KR) 30-2012-0027141

(51) **LOC (9) Cl.** **24-01**

(52) **U.S. Cl.**
USPC **D24/216**

(58) **Field of Classification Search**
USPC D24/216, 217, 219, 231, 232, 107,
D24/169, 186; D10/81; 422/62-65, 67, 72;
436/43, 45, 47; 494/9, 11, 12, 20, 84
See application file for complete search history.

(56) **References Cited**

U.S. PATENT DOCUMENTS

7,218,394	B2 *	5/2007	Murakami et al.	356/246
D564,667	S *	3/2008	Bedingham et al.	D24/216
7,604,776	B2 *	10/2009	Yamamoto et al.	422/64
7,758,810	B2 *	7/2010	Lee et al.	422/72
8,226,826	B2 *	7/2012	Wo et al.	422/72
D672,050	S *	12/2012	Lee et al.	D24/216
D672,467	S *	12/2012	Smith et al.	D24/216
2009/0053108	A1 *	2/2009	Cho et al.	422/72

2009/0317896	A1 *	12/2009	Yoo	422/72
2010/0035333	A1 *	2/2010	Lee et al.	435/287.1
2010/0297659	A1 *	11/2010	Yoo	435/6
2011/0124128	A1 *	5/2011	Oosterbroek et al.	436/518
2011/0201101	A1 *	8/2011	Lee et al.	422/72

OTHER PUBLICATIONS

U.S. Appl. No. 29/438,075, Applicant: Beom-Seok Lee et al., filed Nov. 26, 2012 entitled Lower Disk for Checking Body Fluid.

* cited by examiner

Primary Examiner — Anhdao Doan

(74) *Attorney, Agent, or Firm* — Flynn, Thiel, Boutell & Tanis, P.C.

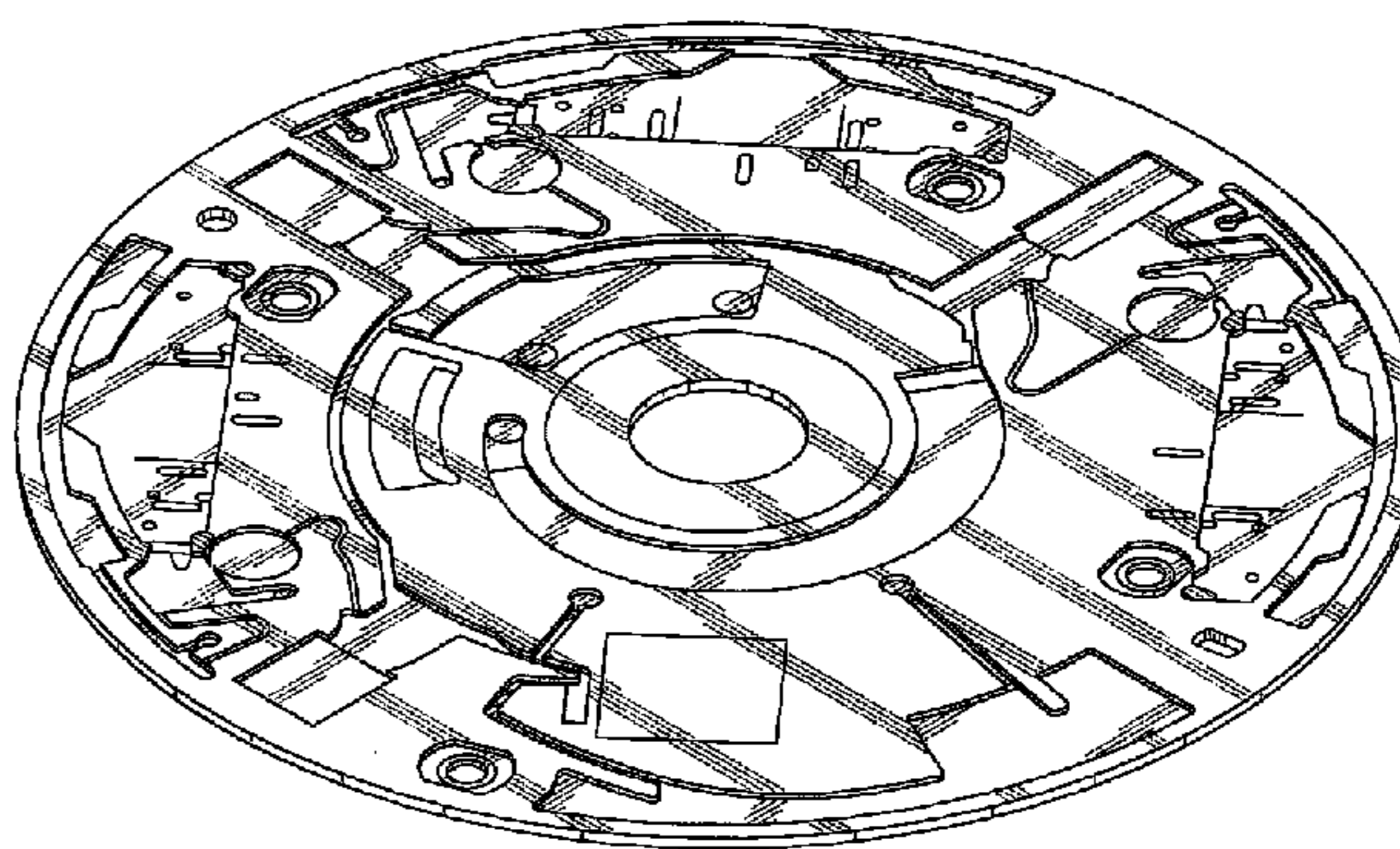
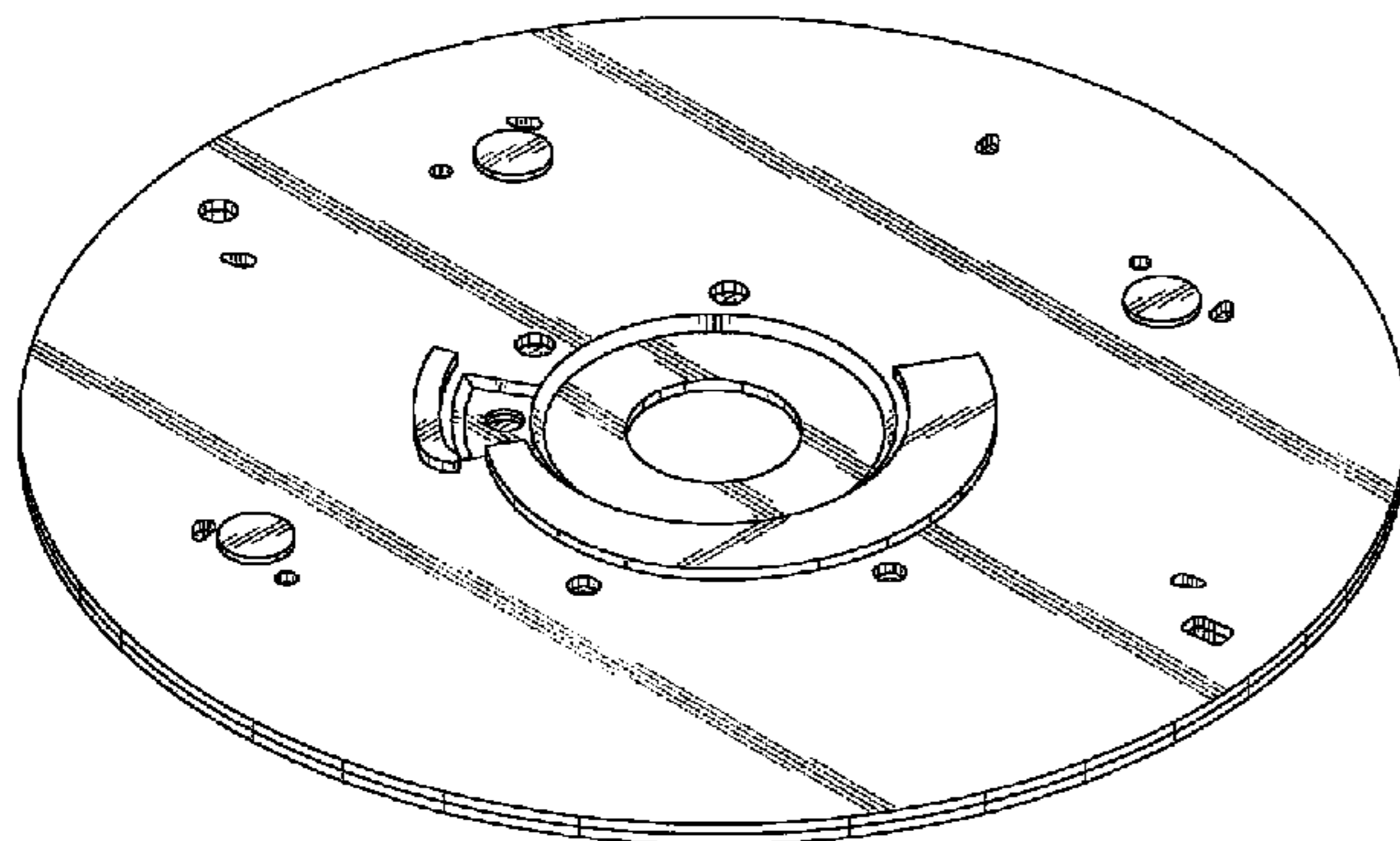
(57) **CLAIM**

The ornamental design for a disk for checking body fluid, as shown and described.

DESCRIPTION

FIG. 1 is a top front perspective view of a disk for checking body fluid showing our new design;
 FIG. 2 is a front elevational view thereof;
 FIG. 3 is a rear elevational view thereof;
 FIG. 4 is a left side elevational view thereof;
 FIG. 5 is a right side elevational view thereof;
 FIG. 6 is a top plan view thereof;
 FIG. 7 is a bottom plan view thereof;
 FIG. 8 is a top front perspective view of the lower disk for checking body fluid when the upper disk of the FIG. 1 disk is removed;
 FIG. 9 is a front elevational view thereof;
 FIG. 10 is a rear elevational view thereof;
 FIG. 11 is a left side elevational view thereof;
 FIG. 12 is a right side elevational view thereof;
 FIG. 13 is a top plan view thereof; and,
 FIG. 14 is a bottom plan view thereof.

1 Claim, 6 Drawing Sheets



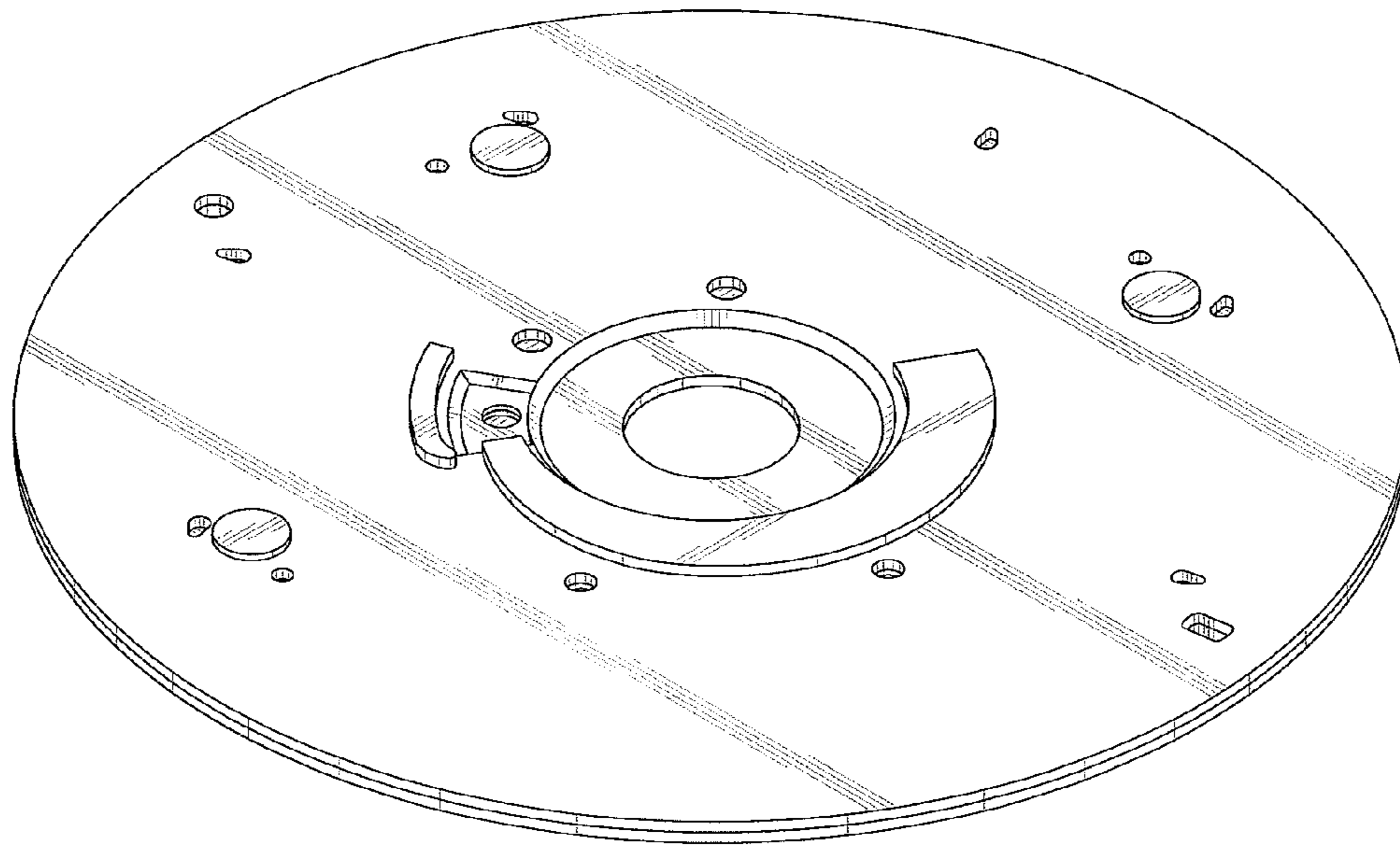


FIG. 1

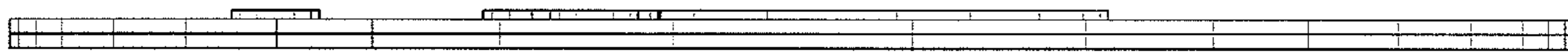


FIG. 2

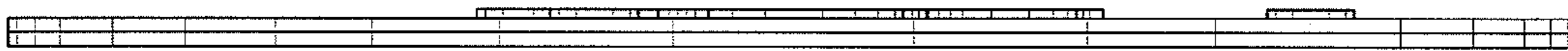


FIG. 3

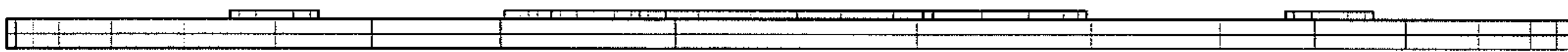


FIG. 4

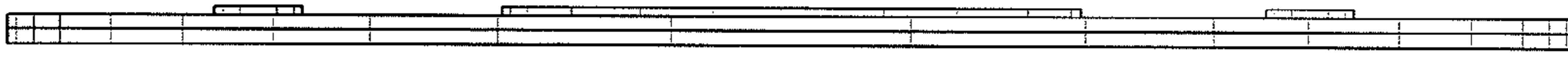


FIG. 5

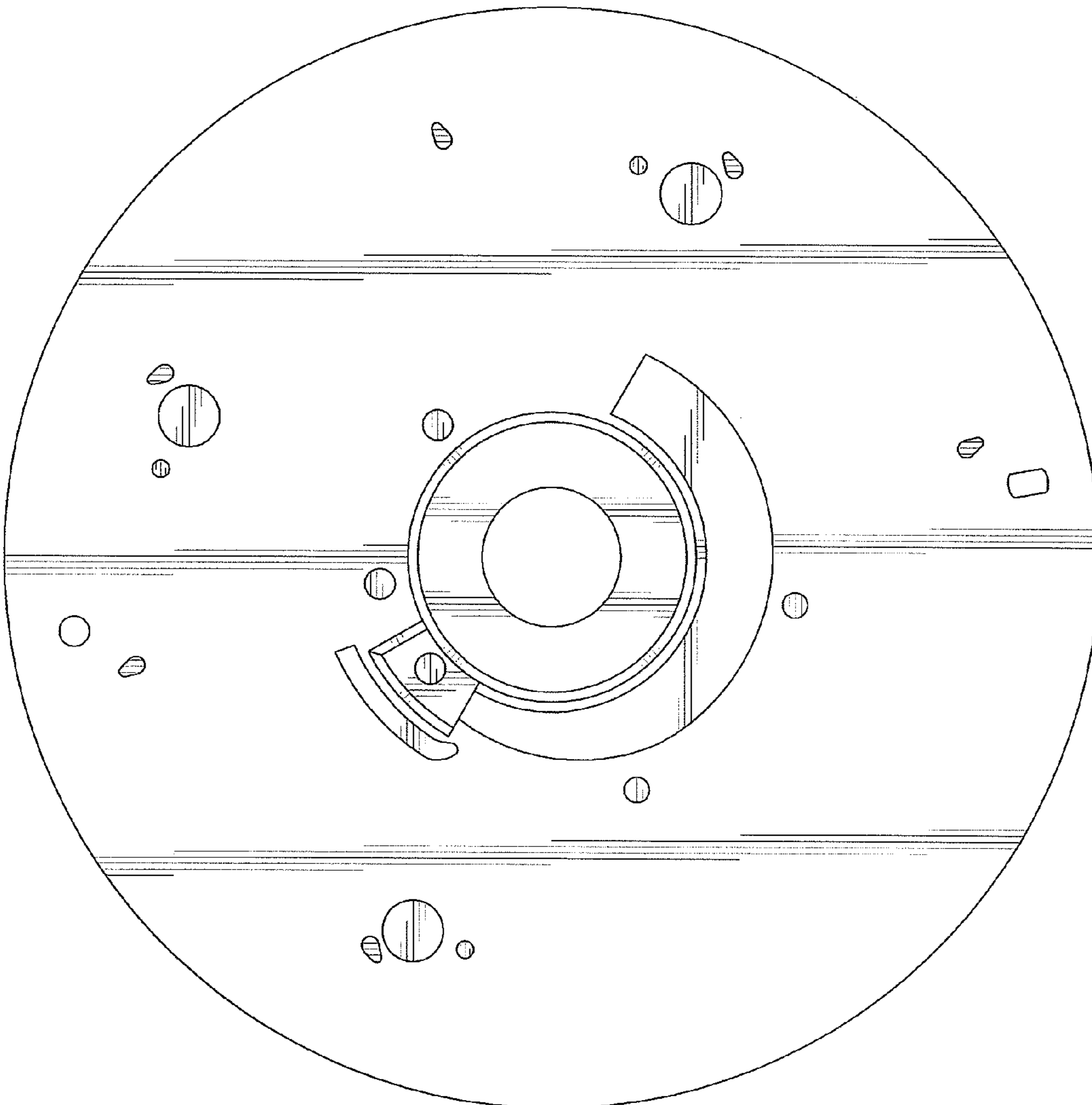


FIG. 6

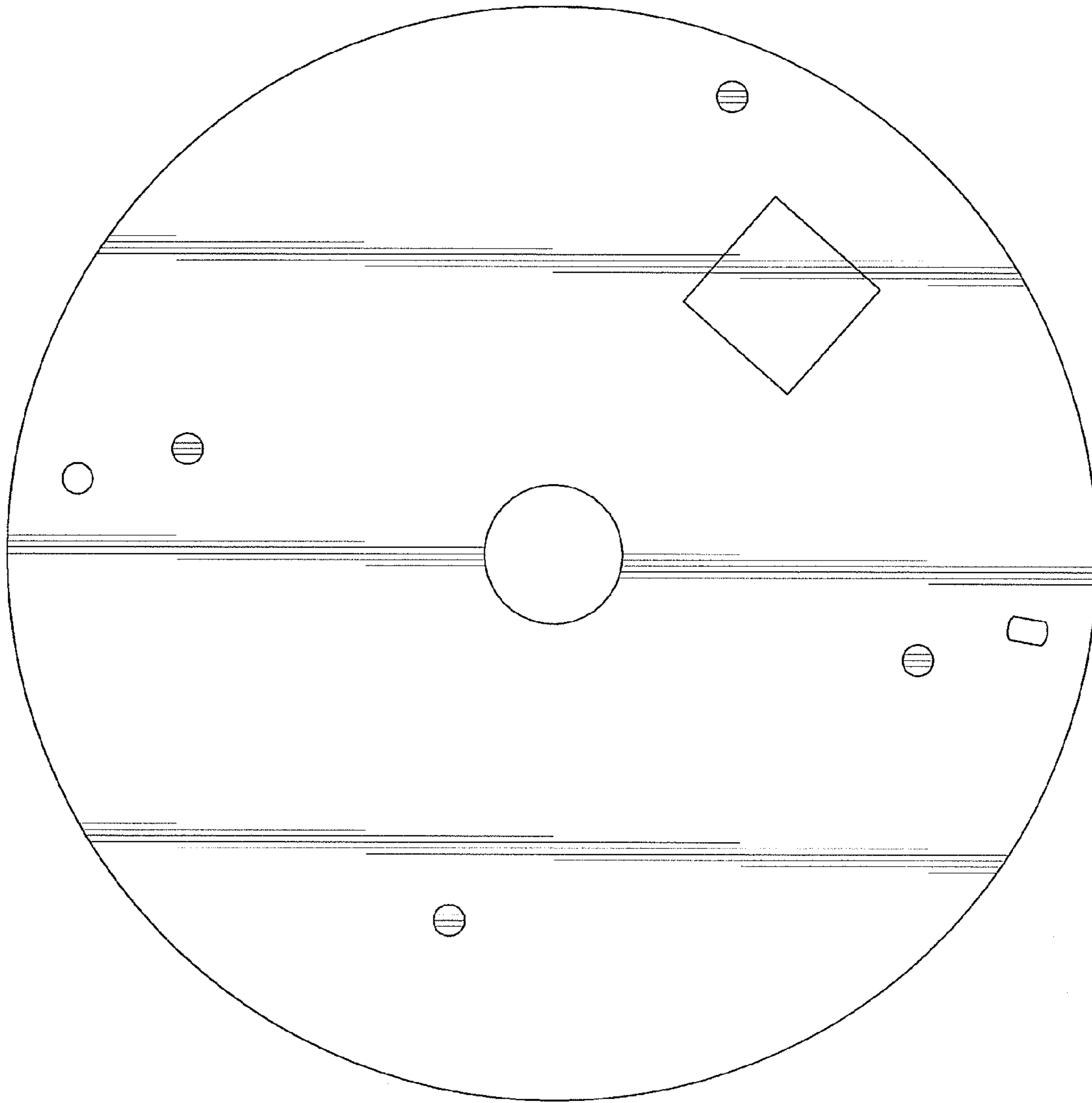


FIG. 7

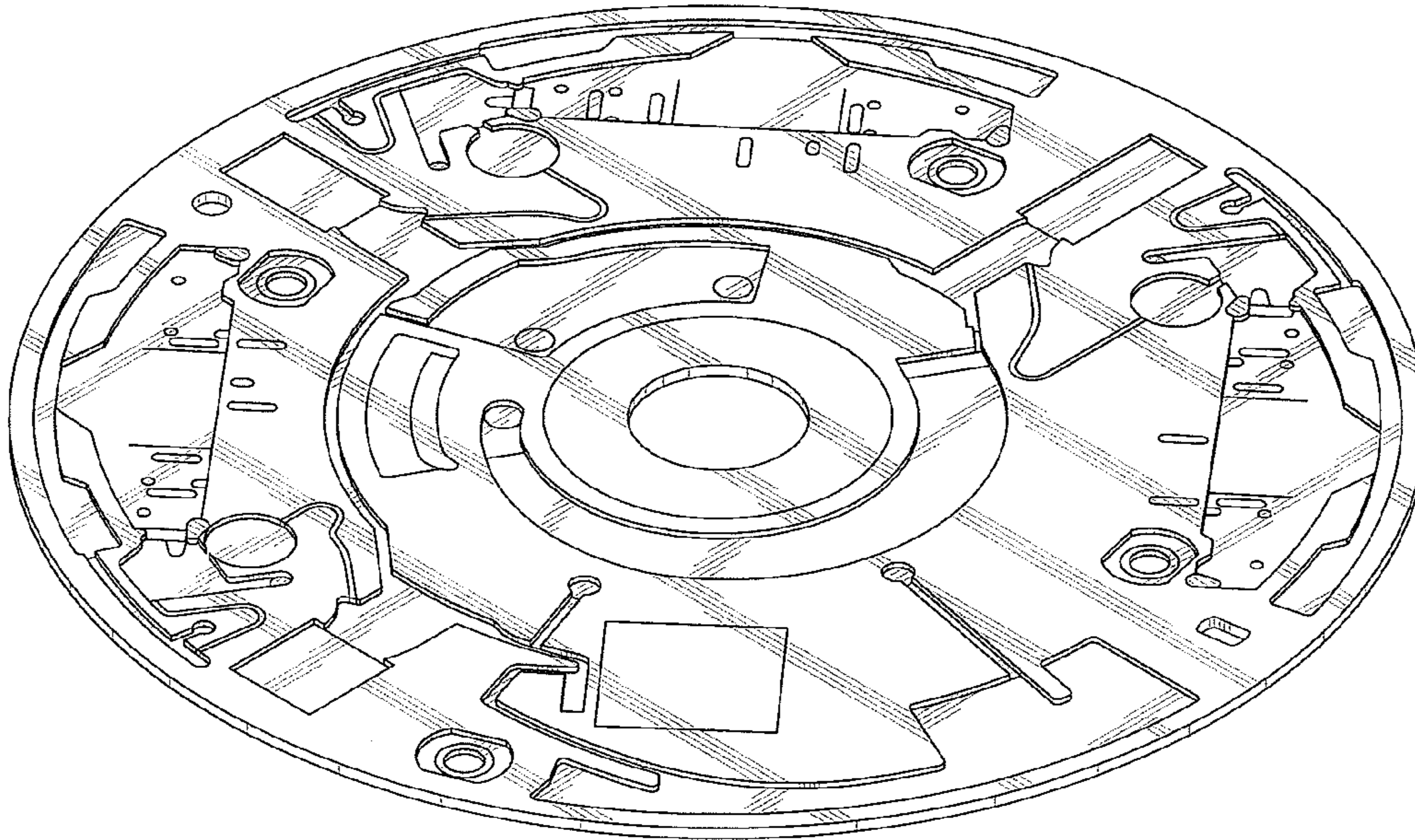


FIG. 8

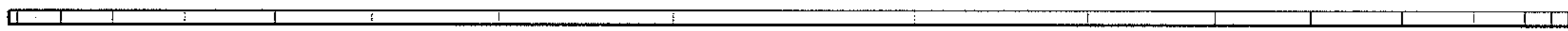


FIG. 9

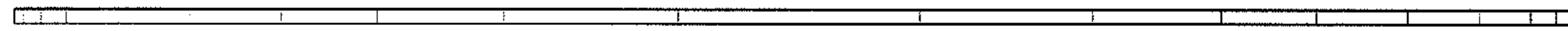


FIG. 10

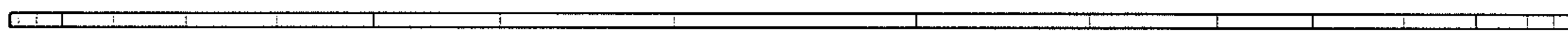


FIG. 11

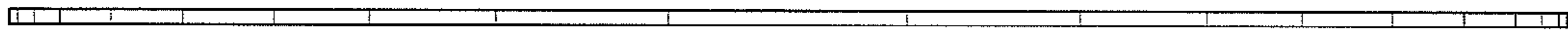


FIG. 12

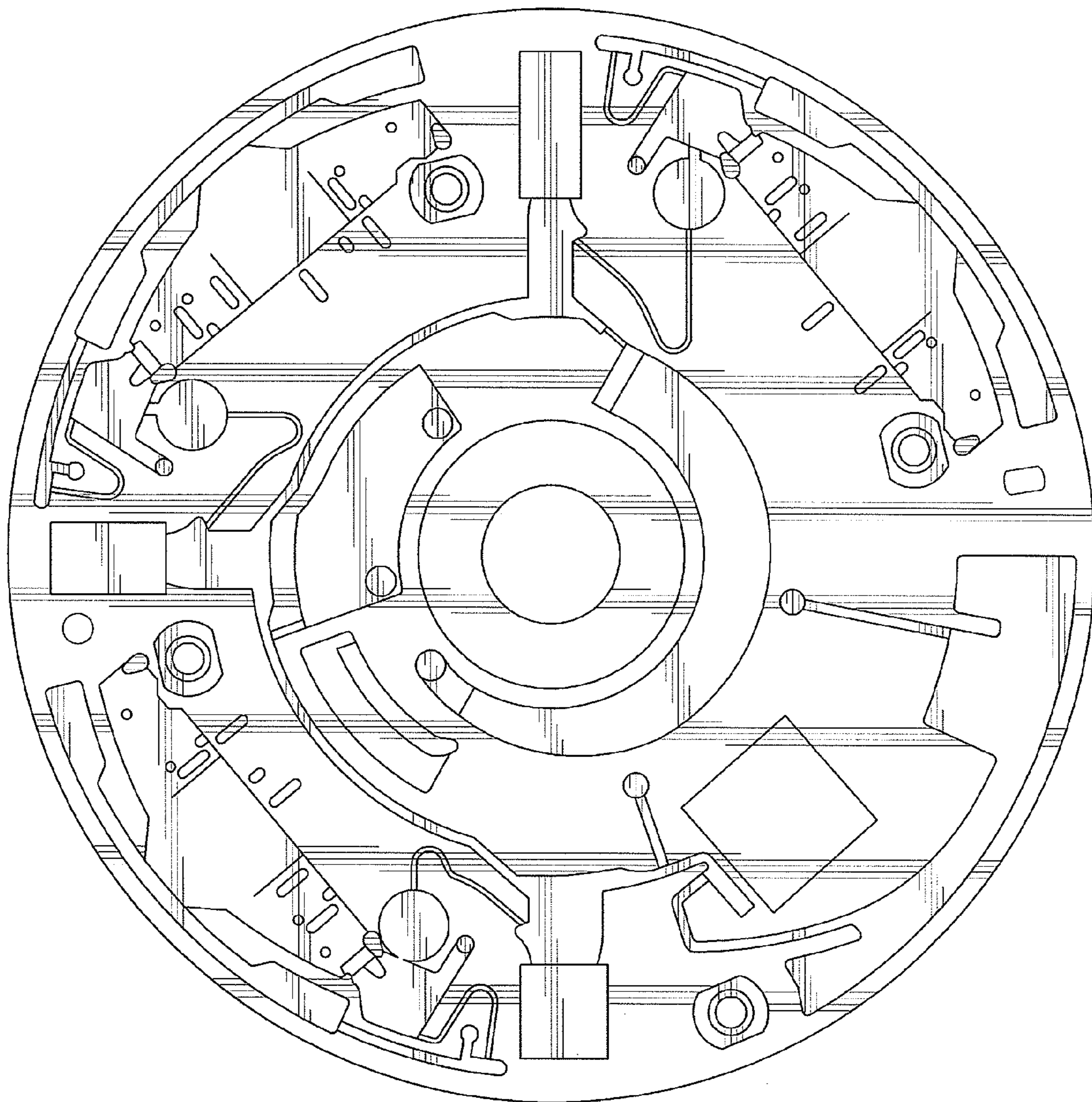


FIG. 13

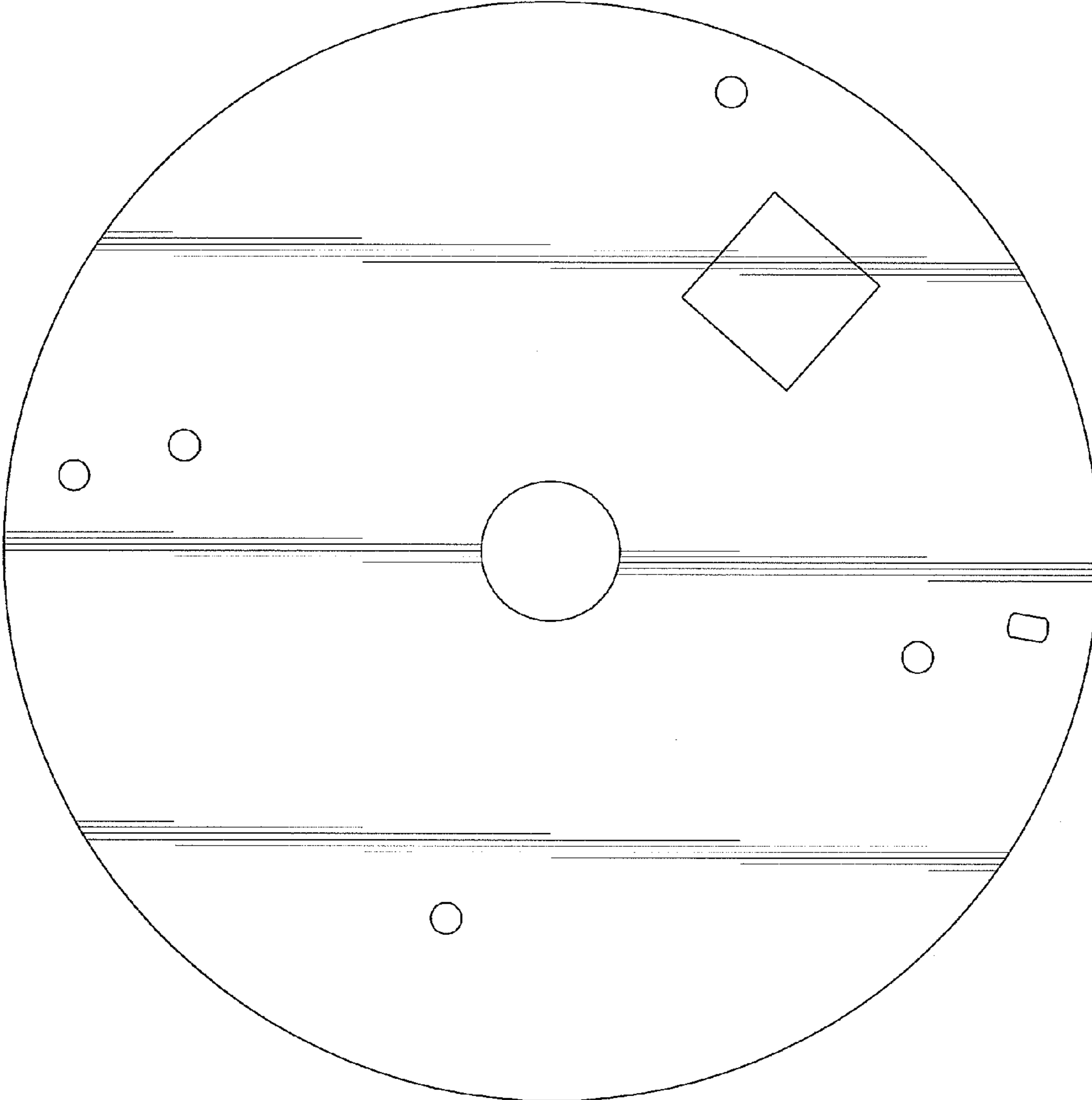


FIG. 14