



US00D685495S

(12) **United States Design Patent**  
**Oonuma et al.**

(10) **Patent No.:** **US D685,495 S**  
(45) **Date of Patent:** **\*\* Jul. 2, 2013**

(54) **INPUT AND OUTPUT BUFFER MODULE FOR CLINICAL ANALYZER**

(75) Inventors: **Mitsuru Oonuma**, Tokyo (JP); **Hitoshi Tokieda**, Hitachinaka (JP); **Takenori Okusa**, Mito (JP); **Miki Taki**, Hitachinaka (JP); **Hiroyuki Noda**, Musashino (JP)

(73) Assignee: **Hitachi High-Technologies Corporation**, Tokyo (JP)

(\*\*) Term: **14 Years**

(21) Appl. No.: **29/427,880**

(22) Filed: **Jul. 24, 2012**

(30) **Foreign Application Priority Data**

Mar. 23, 2012 (JP) ..... 2012-006588

(51) **LOC (9) Cl.** ..... **24-01**

(52) **U.S. Cl.**  
USPC ..... **D24/216**

(58) **Field of Classification Search**  
USPC ..... D24/216, 217, 219, 231, 232, 107,  
D24/169, 186; D10/81; 422/62-65, 67; 436/43,  
436/45, 47  
See application file for complete search history.

(56) **References Cited**

U.S. PATENT DOCUMENTS

- D377,455 S 1/1997 Burchard et al.
- 5,855,847 A \* 1/1999 Oonuma et al. .... 422/64
- D523,153 S \* 6/2006 Akashi et al. .... D24/232
- D631,976 S \* 2/2011 Oonuma et al. .... D24/216
- D633,537 S \* 3/2011 Oonuma et al. .... D16/131
- D658,776 S \* 5/2012 Oonuma et al. .... D24/216
- D670,401 S \* 11/2012 Tsuda et al. .... D24/216
- 2009/0269841 A1 \* 10/2009 Wojciechowski et al. .... 435/325

FOREIGN PATENT DOCUMENTS

- JP D 1186178 S 9/2003
- JP D 1321995 S 2/2008
- JP D 1414660 S 5/2011

OTHER PUBLICATIONS

- Copending U.S. Appl. No. 29/427,876, filed Jul. 24, 2012, Oonuma et al.
- Copending U.S. Appl. No. 29/427,878, filed Jul. 24, 2012, Oonuma et al.

\* cited by examiner

*Primary Examiner* — Anhdao Doan

(74) *Attorney, Agent, or Firm* — Antonelli, Terry, Stout & Kraus, LLP.

(57) **CLAIM**

We claim the ornamental design for a input and output buffer module for clinical analyzer, as shown and described.

**DESCRIPTION**

FIG. 1 is a front, top and right side perspective view of input and output buffer module for clinical analyzer showing our new design;

FIG. 2 is a front elevational view thereof;

FIG. 3 is a rear elevational view thereof;

FIG. 4 is a left side elevational view thereof;

FIG. 5 is a right side elevational view thereof;

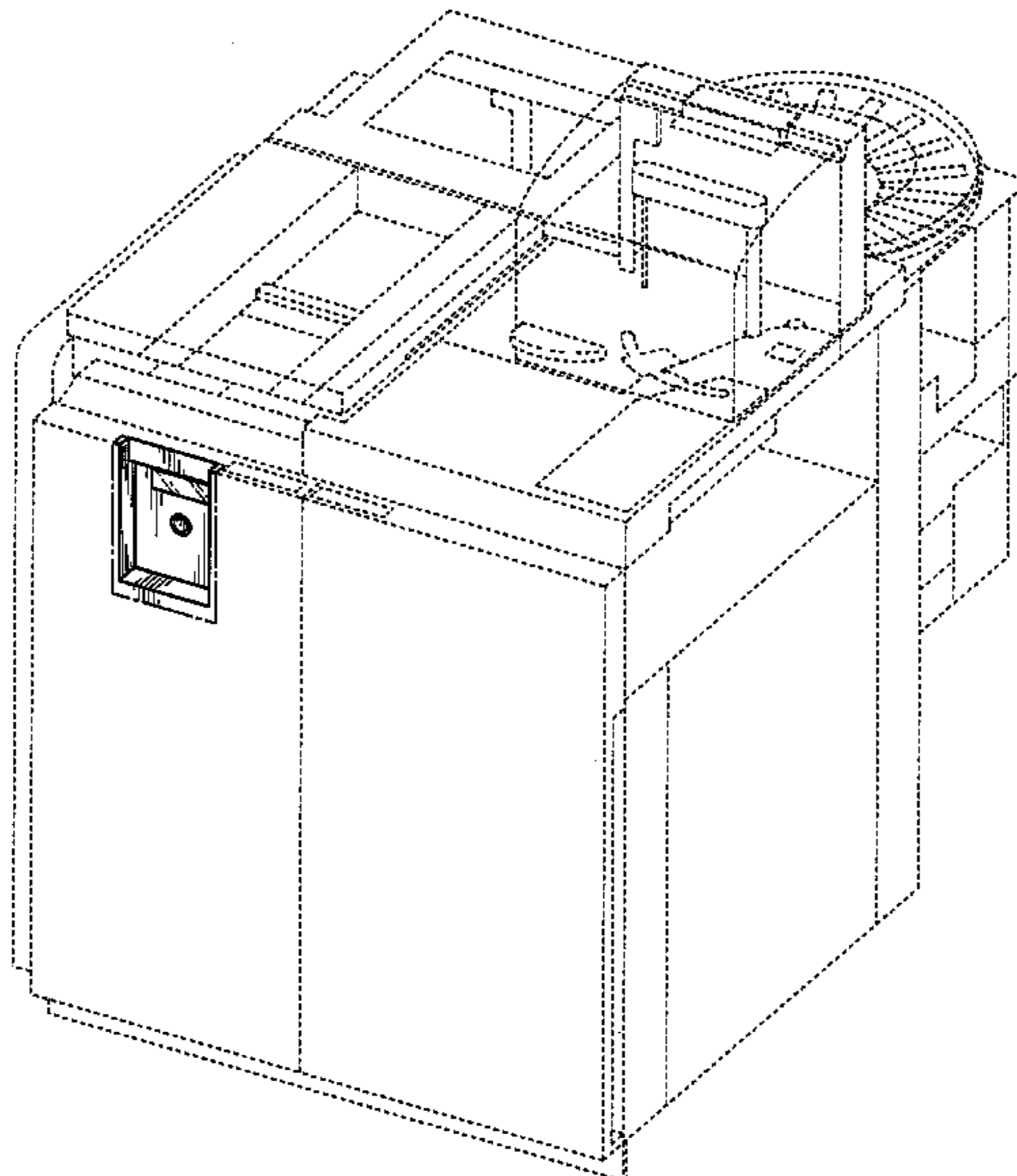
FIG. 6 is a top plan view thereof;

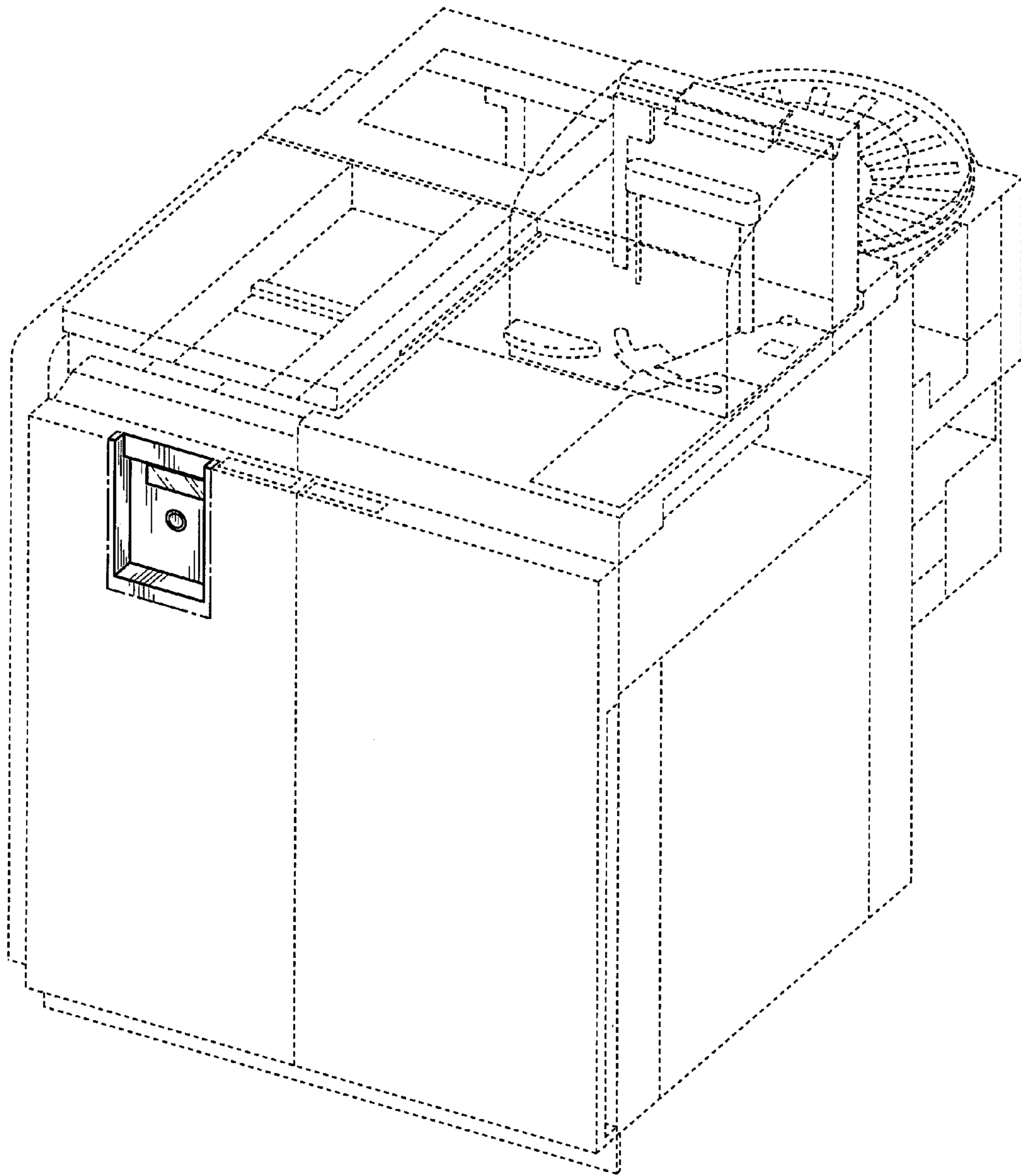
FIG. 7 is a bottom plan view thereof; and,

FIG. 8 is a cross sectional view taken along the lines 8-8 of FIG. 2.

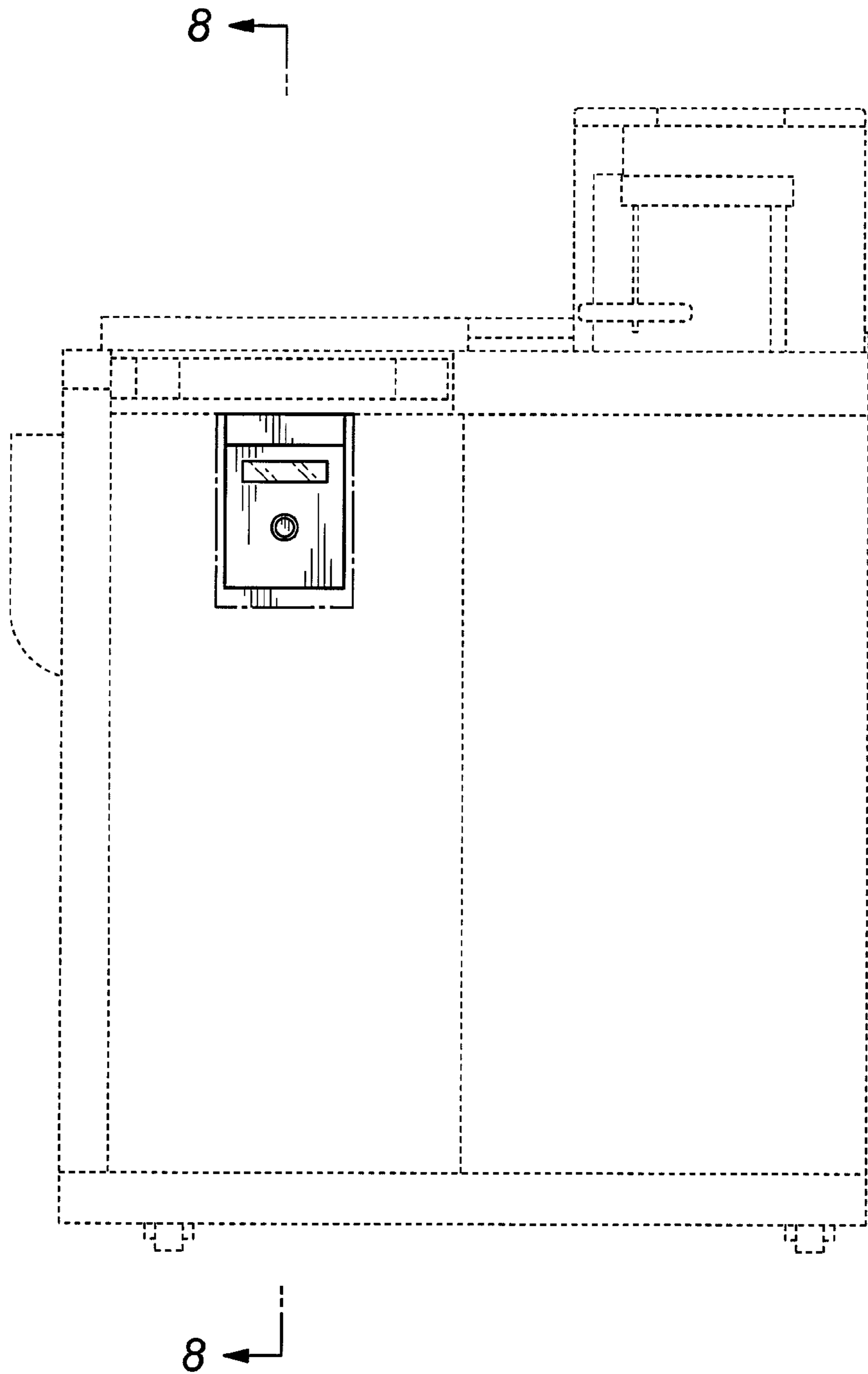
The long-short dashed lines represent the bounds of the claim, and all other broken lines in the drawing views are included for the purpose of illustrating portions of the input and output buffer module for clinical analyzer that form no part of the claimed design.

**1 Claim, 8 Drawing Sheets**

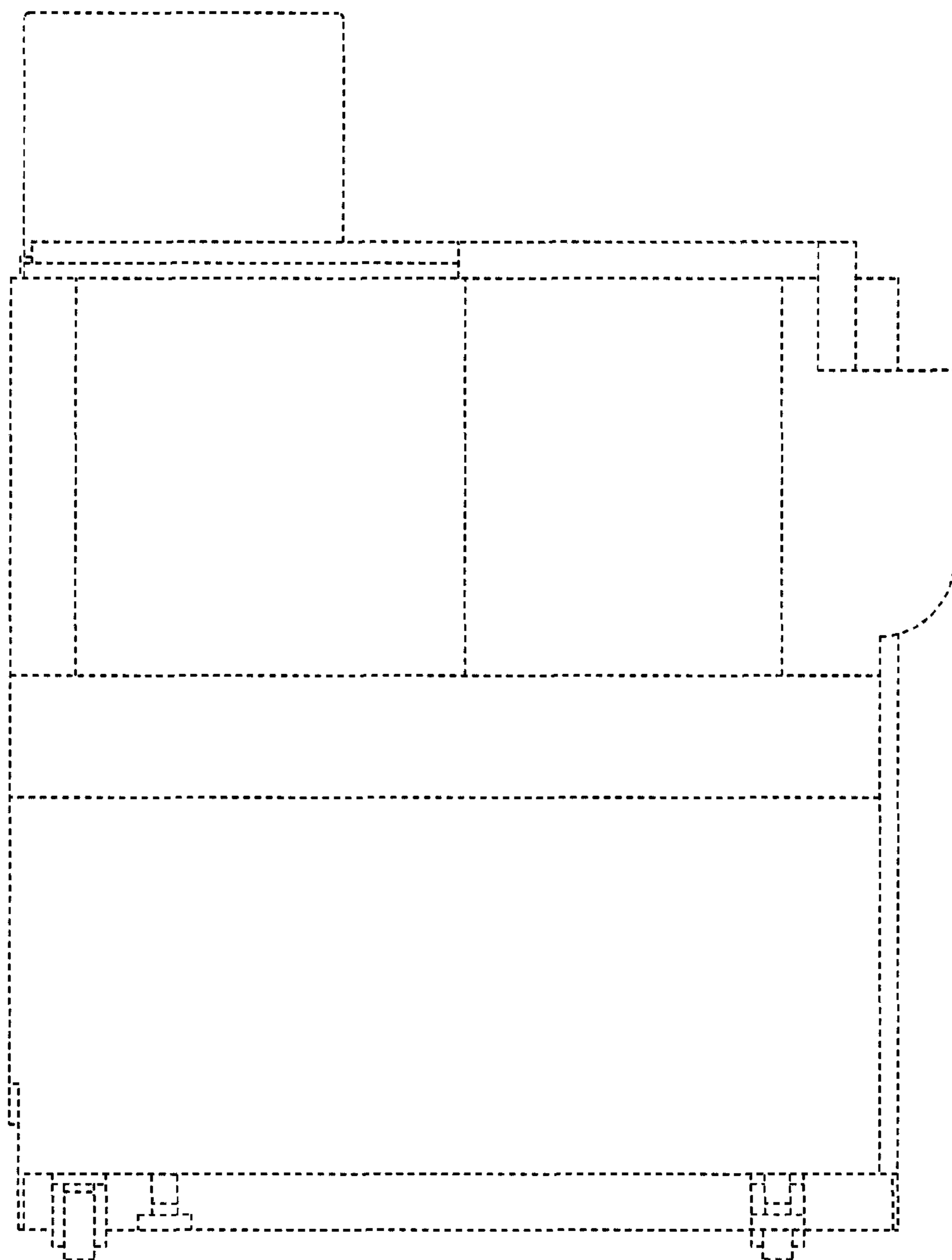




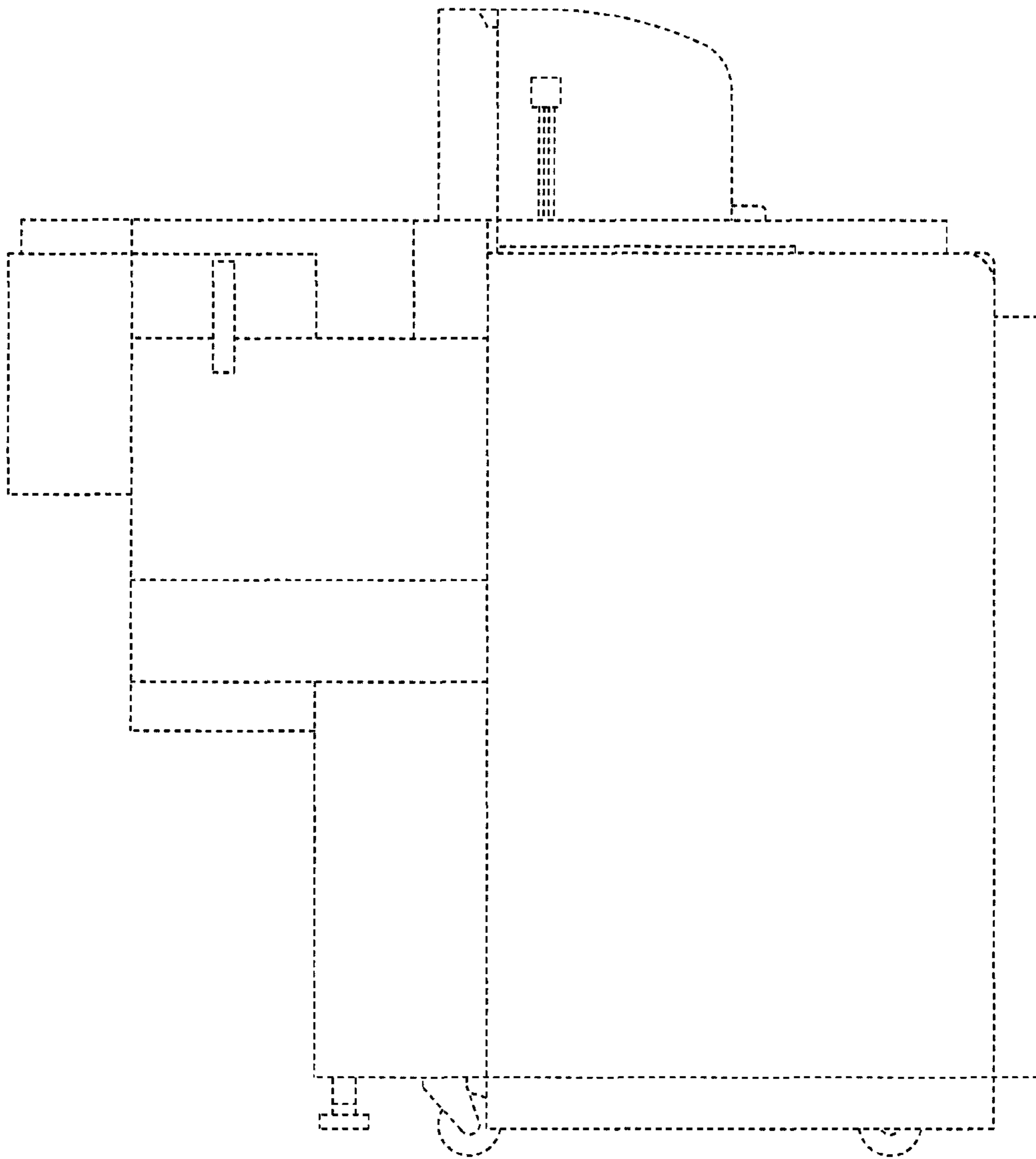
**FIG. 1**



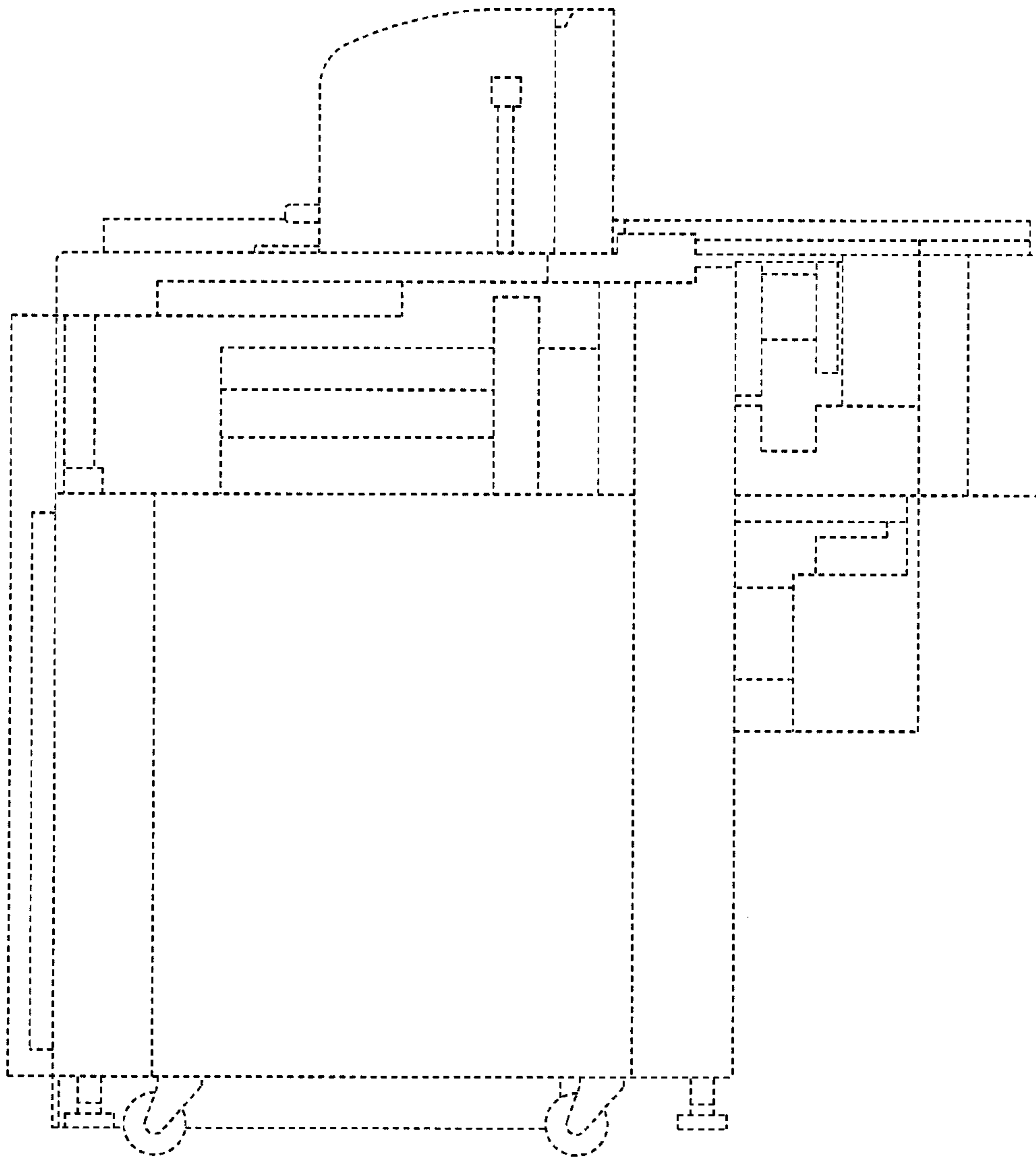
**FIG. 2**



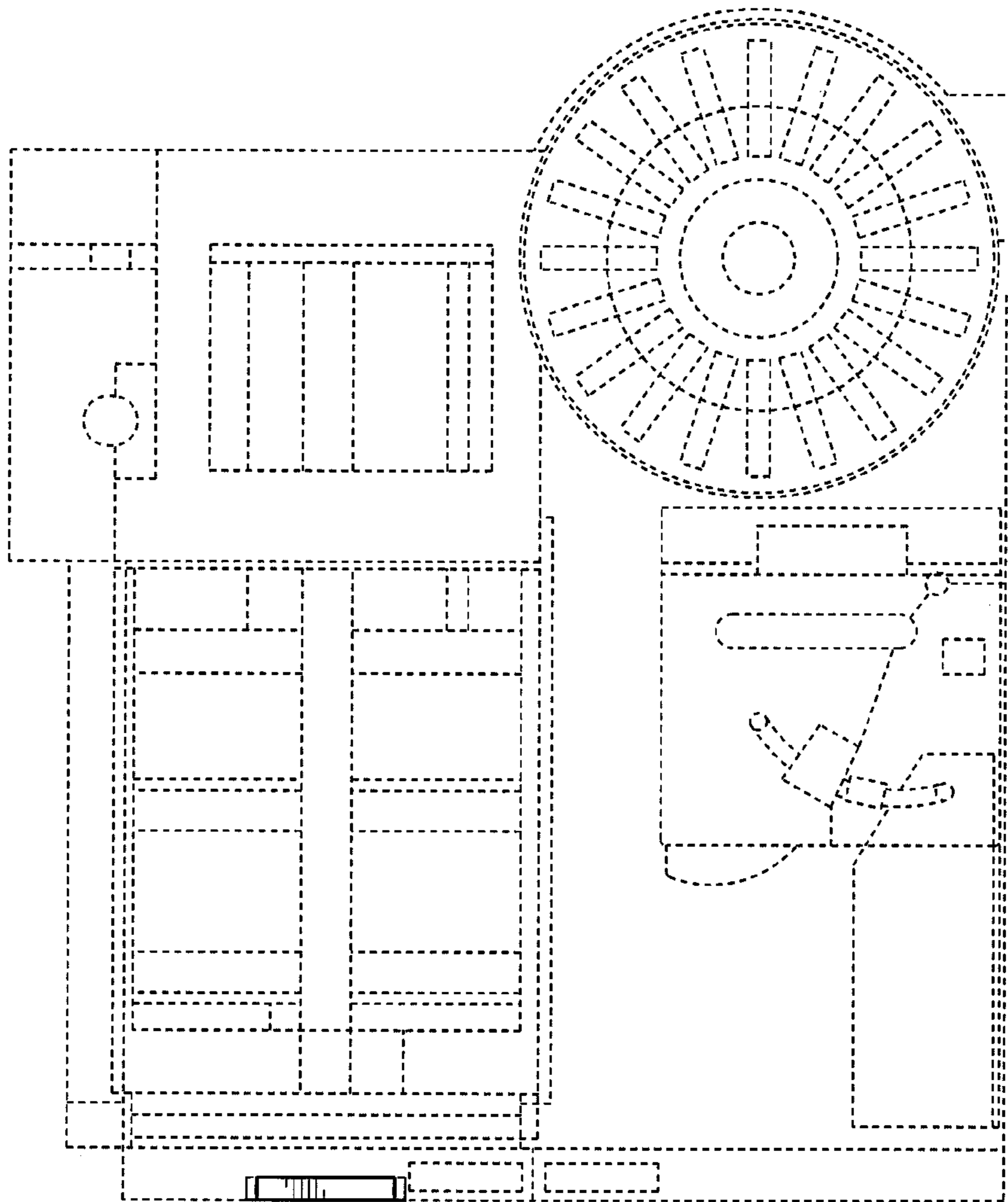
**FIG. 3**



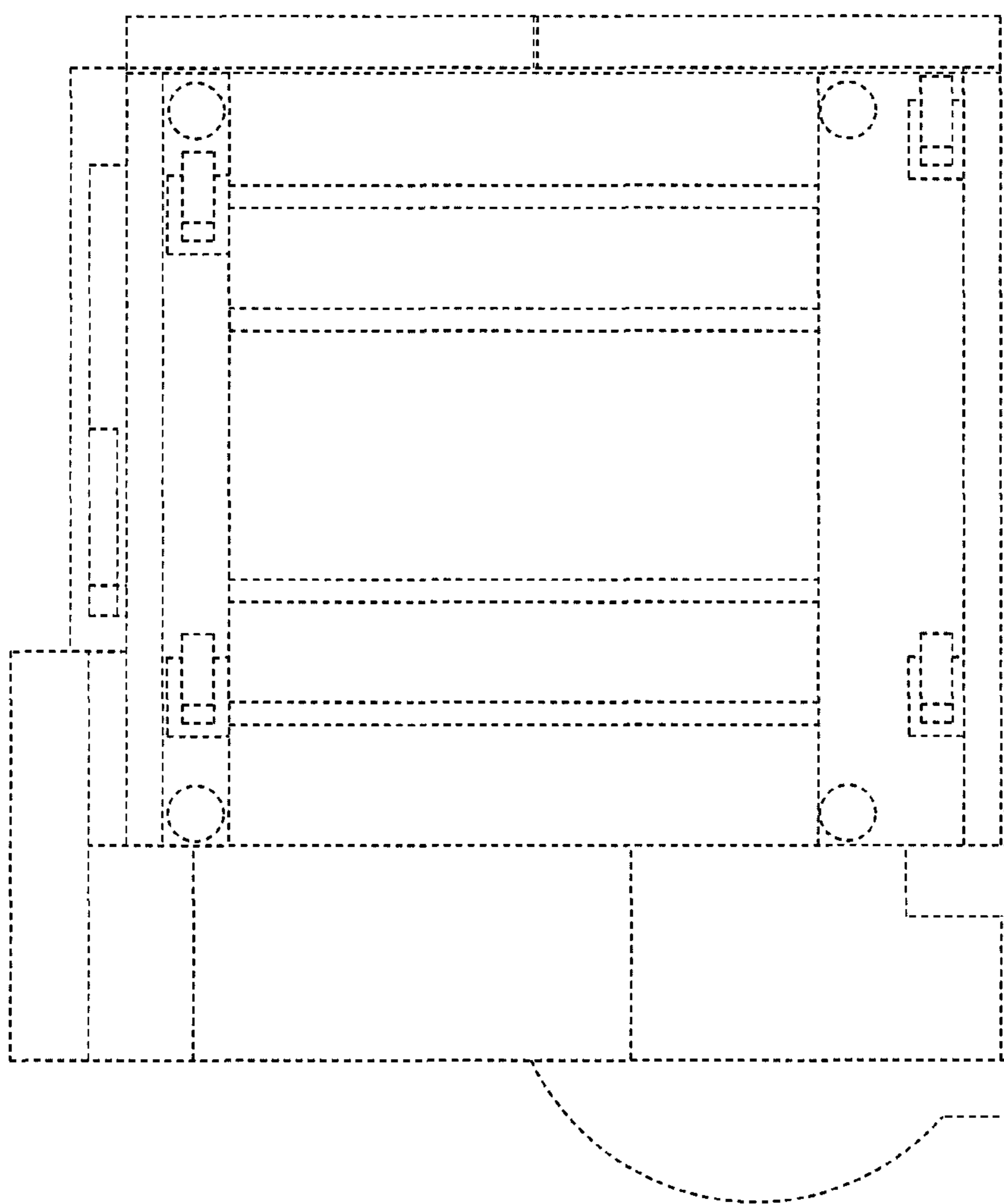
**FIG. 4**



*FIG. 5*



*FIG. 6*



*FIG. 7*



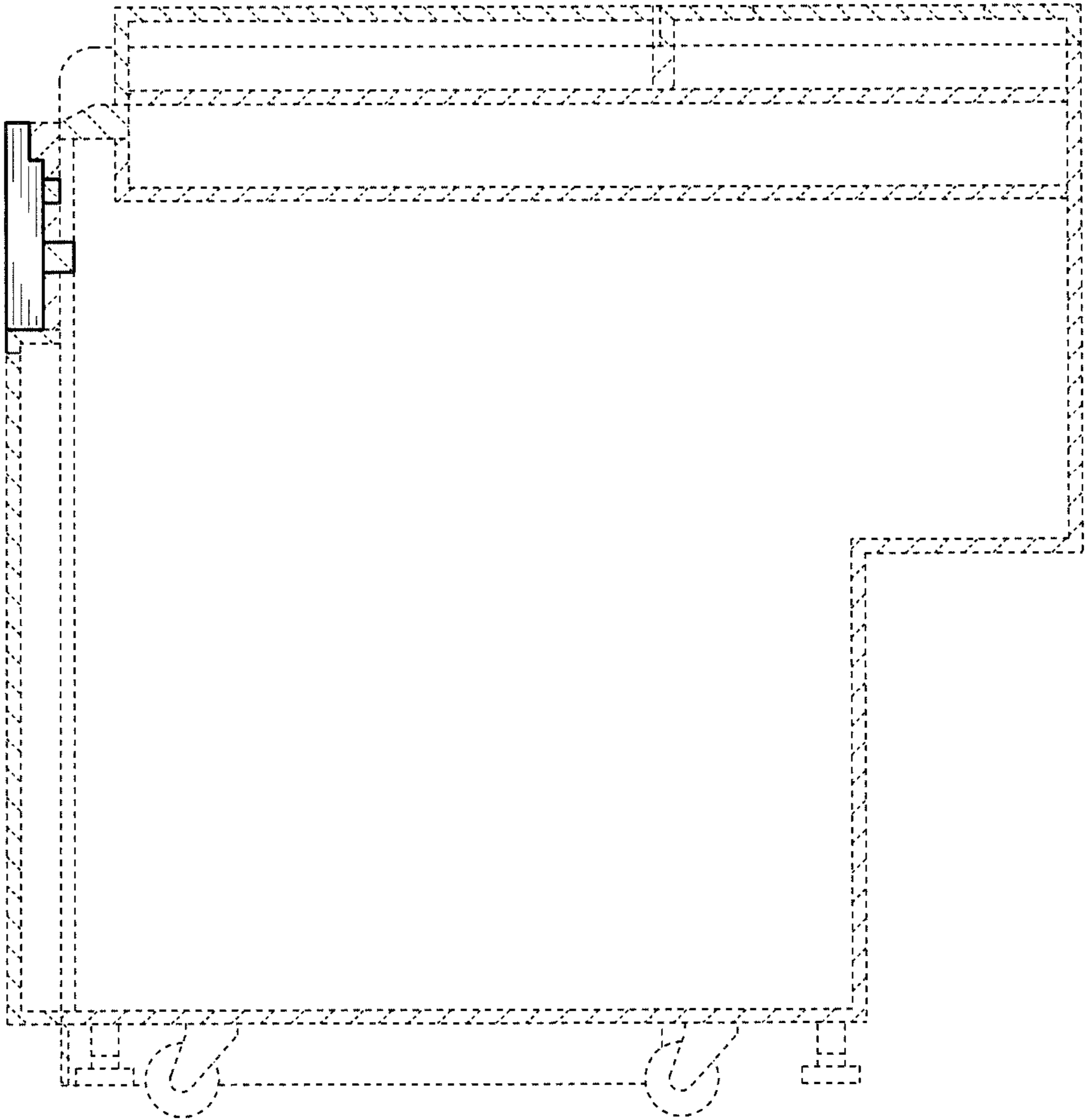


FIG. 8