



US00D685490S

(12) **United States Design Patent**
Hennessey

(10) **Patent No.:** **US D685,490 S**
(45) **Date of Patent:** **** Jul. 2, 2013**

- (54) **HAND-HELD MASSAGER**
- (75) Inventor: **Daniel J. Hennessey**, Como, CO (US)
- (73) Assignee: **Pro Massage, Inc.**, Como, CO (US)
- (**) Term: **14 Years**
- (21) Appl. No.: **29/423,030**
- (22) Filed: **May 25, 2012**
- (51) **LOC (9) Cl.** **28-03**
- (52) **U.S. Cl.**
USPC **D24/214**
- (58) **Field of Classification Search**
USPC . D24/200, 211, 212, 213, 214, 215; 601/114,
601/120, 121, 124, 125, 130, 131, 134, 135,
601/136, 137
See application file for complete search history.

- D349,771 S * 8/1994 Heiligenstein et al. D24/211
- D359,359 S * 6/1995 Robertson et al. D24/211
- D361,133 S * 8/1995 Robertson et al. D24/211

* cited by examiner

Primary Examiner — Sandra Snapp
(74) *Attorney, Agent, or Firm* — Klaas, Law, O’Meara & Malkin, P.C.; Robert W. Nelson, Esq.

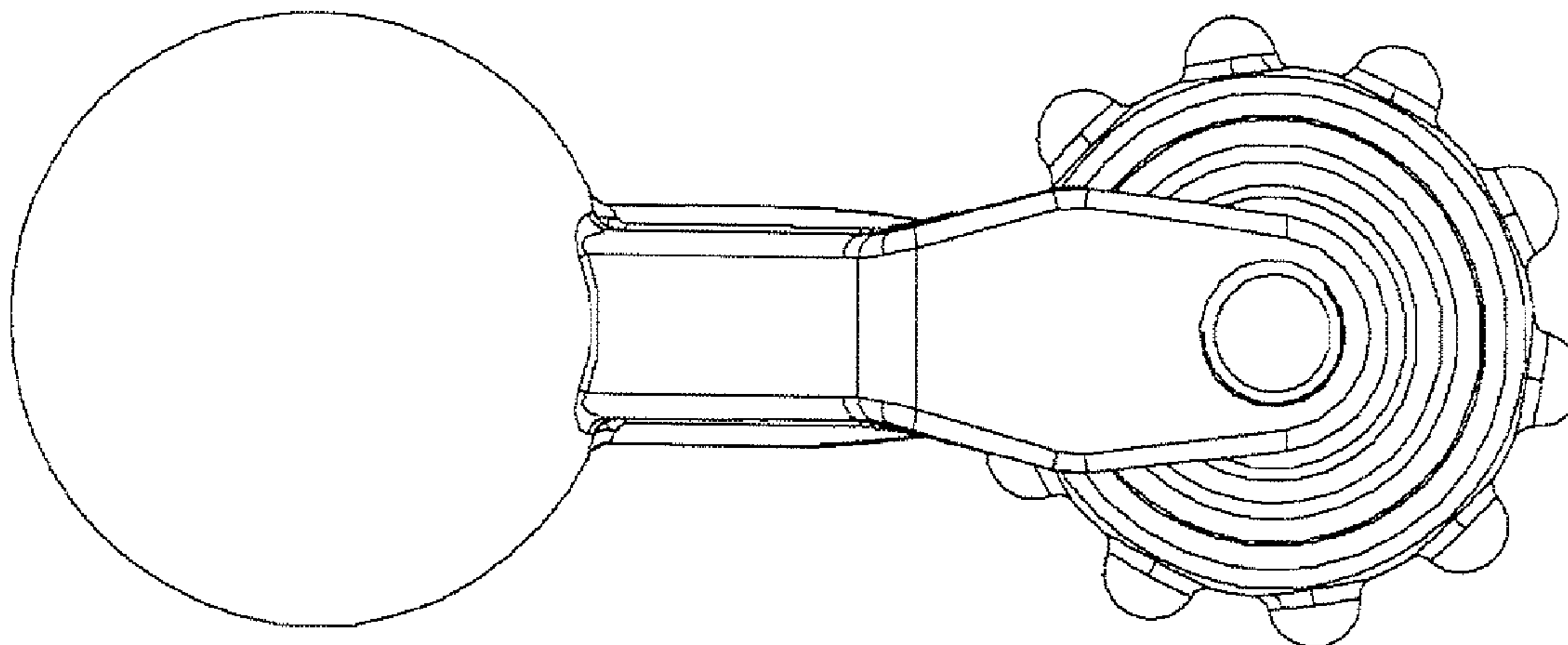
(57) **CLAIM**
The ornamental design for hand-held massager, as shown and described.

DESCRIPTION

FIG. 1 is a left side elevation view of a hand-held massager, a right side elevation view of the massager being a mirror image thereof.
FIG. 2 is a front elevation view of the massager of FIG. 1, a rear elevation view of the massager being a mirror image thereof; and,
FIG. 3 is an isometric view of the massager of FIG. 1.
The broken lines illustrate environmental structure that form no part of the claimed design.

- (56) **References Cited**
U.S. PATENT DOCUMENTS
1,111,427 A * 9/1914 Archibald D24/211
D285,724 S * 9/1986 Grundler et al. D24/211
D349,576 S * 8/1994 Heiligenstein et al. D24/211

1 Claim, 1 Drawing Sheet



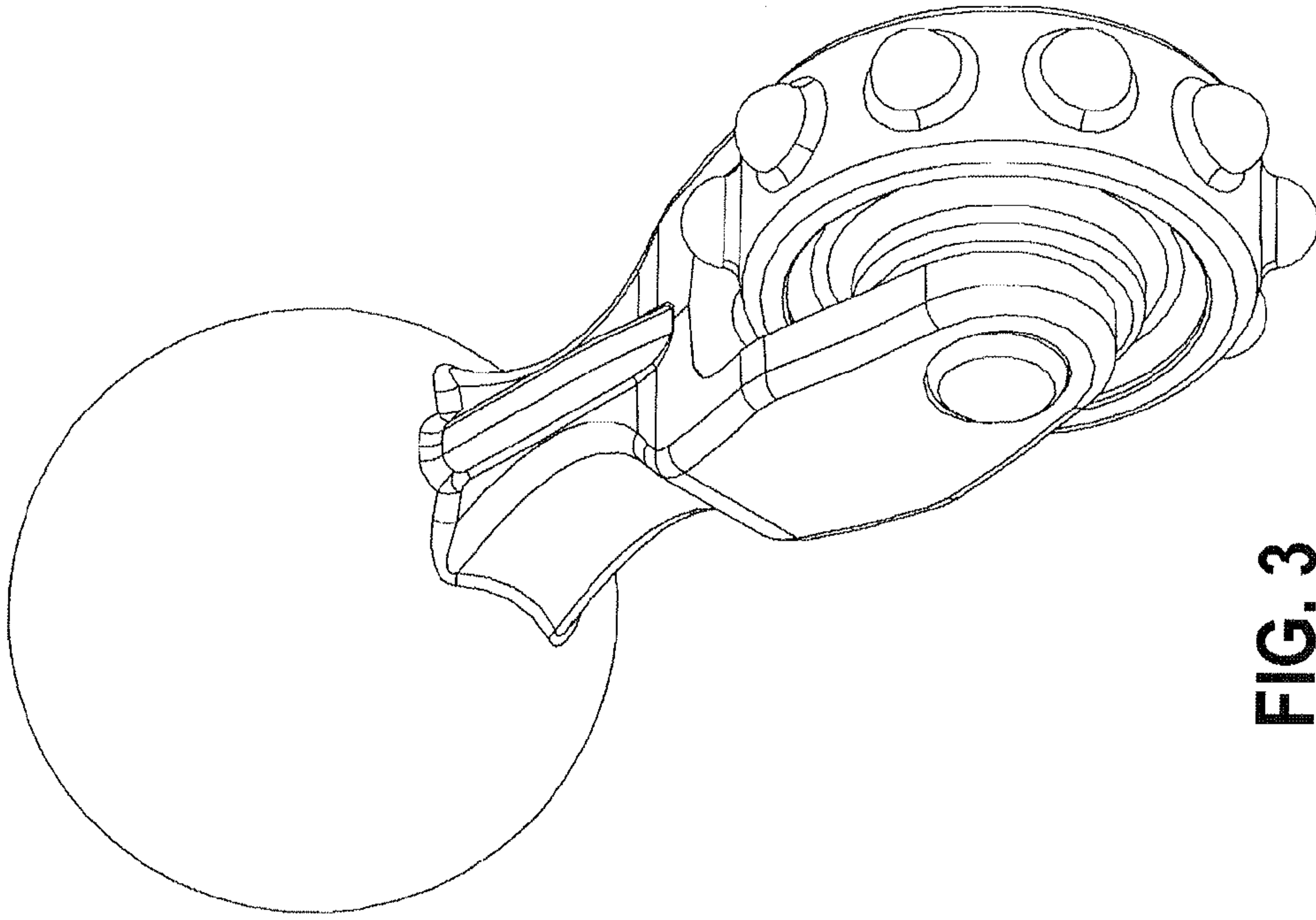


FIG. 3

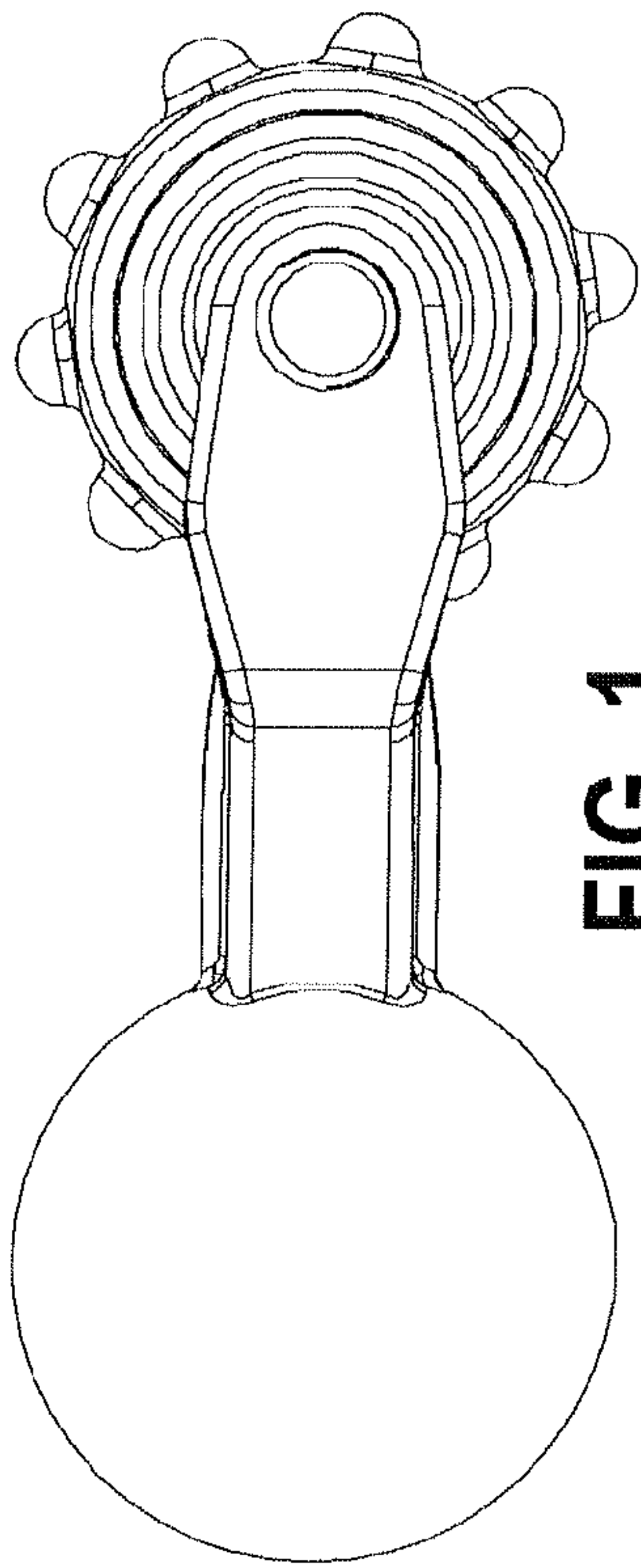


FIG. 1

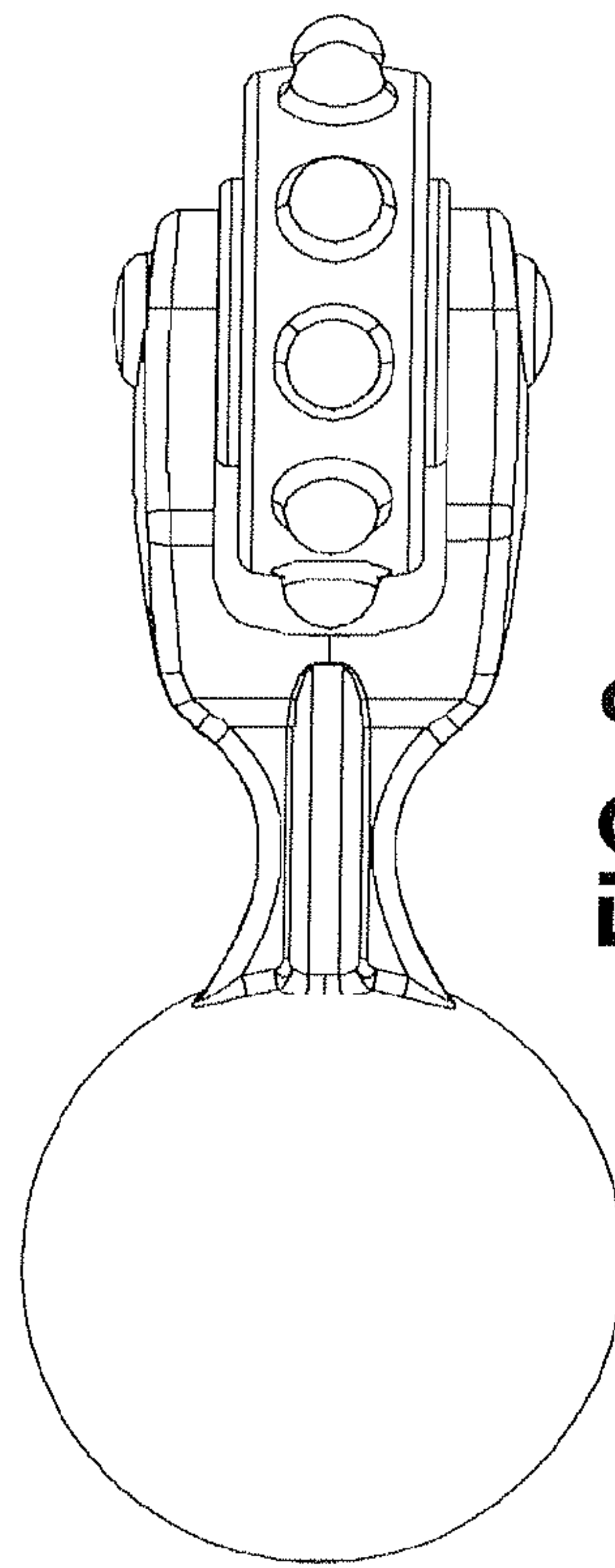


FIG. 2