



US00D685482S

(12) **United States Design Patent**  
**Martin et al.**

(10) **Patent No.:** **US D685,482 S**  
(45) **Date of Patent:** **\*\* Jul. 2, 2013**

(54) **COVER FOR A PROBE OR THE LIKE**

- (75) Inventors: **Scott A. Martin**, Warners, NY (US);  
**John A. Lane**, Weedsport, NY (US);  
**Matthew D. Mullin**, Memphis, NY (US);  
**David E. Quinn**, Auburn, NY (US);  
**John R. Strom**, Moravia, NY (US);  
**Dio Climaco Caverio**, North Merrick, NY (US);  
**Jeffrey M. Cross**, Westborough, MA (US)
- (73) Assignee: **Welch Allyn, Inc.**, Skaneateles Falls, NY (US)
- (\*\*) Term: **14 Years**
- (21) Appl. No.: **29/429,431**
- (22) Filed: **Aug. 10, 2012**

**Related U.S. Application Data**

- (63) Continuation-in-part of application No. 13/196,700, filed on Aug. 2, 2011, which is a continuation-in-part of application No. 12/420,926, filed on Apr. 9, 2009, now Pat. No. 8,231,271.
- (51) **LOC (9) Cl.** ..... **24-01**
- (52) **U.S. Cl.**  
USPC ..... **D24/186; D10/60**
- (58) **Field of Classification Search**  
USPC ..... D24/130, 135, 186, 231, 137, 151,  
D24/173-174; D10/57, 60, 103; 600/200,  
600/474, 549; 374/121, 158, 208-209  
See application file for complete search history.

(56) **References Cited**

**U.S. PATENT DOCUMENTS**

3,110,304 A 11/1963 Hartman  
3,840,004 A \* 10/1974 Heine ..... 600/200

(Continued)

**FOREIGN PATENT DOCUMENTS**

EP 0180368 5/1986  
EP 1262753 12/2002

(Continued)

**OTHER PUBLICATIONS**

U.S. Appl. No. 11/678,357, filed Feb. 23, 2007, Huerter.

(Continued)

*Primary Examiner* — T. Chase Nelson

*Assistant Examiner* — Mark Cavanna

(57) **CLAIM**

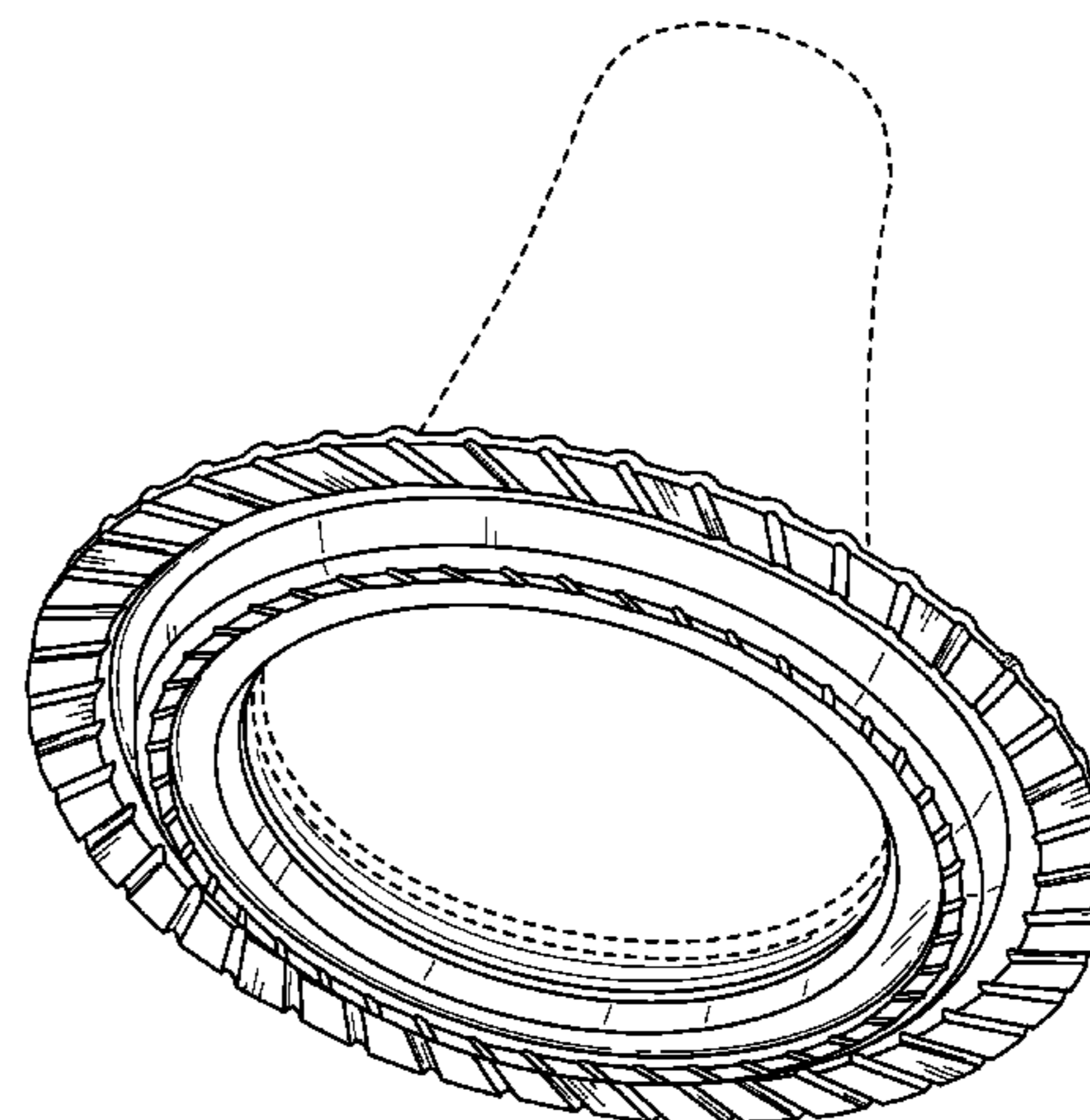
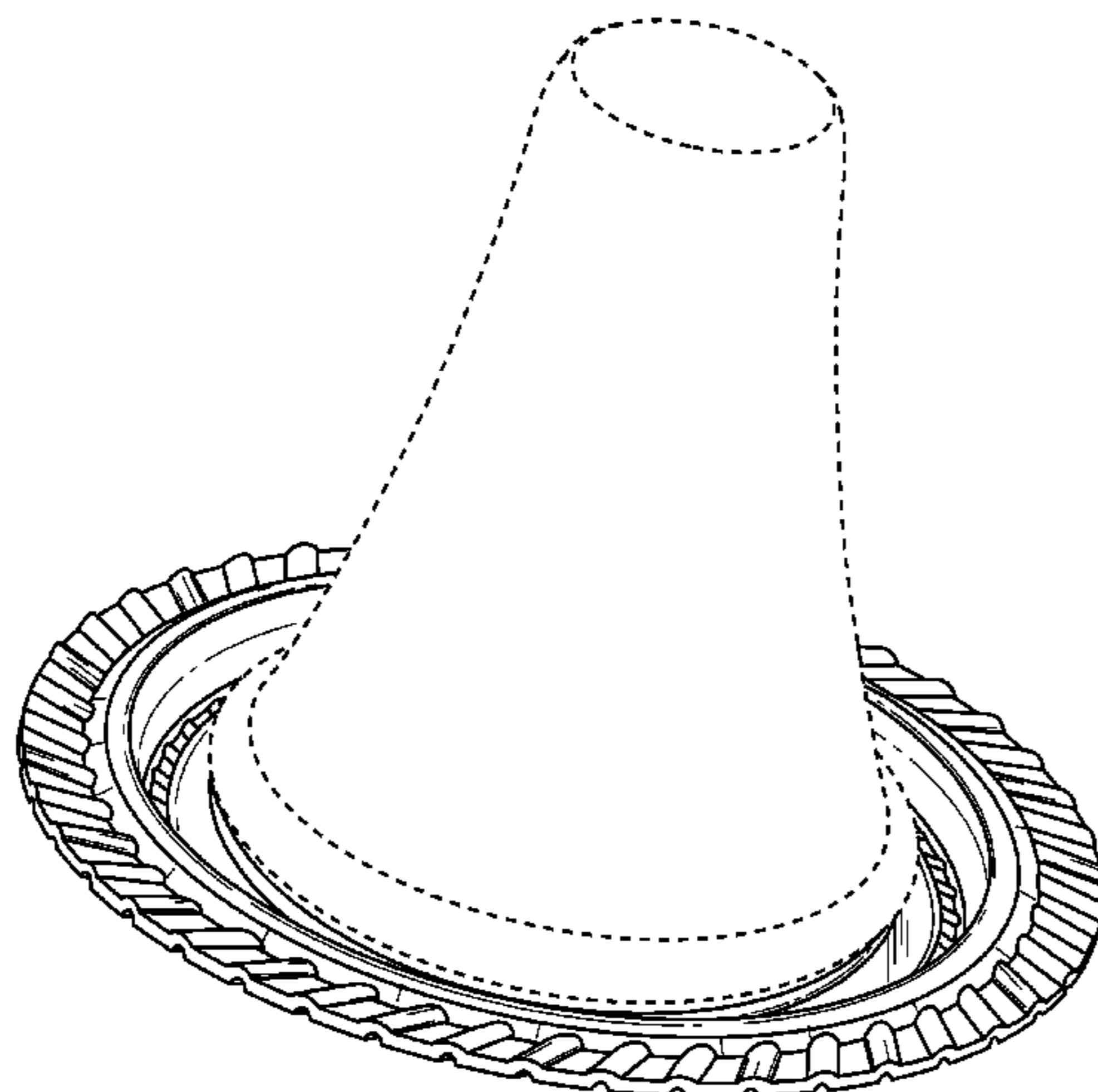
The ornamental design for cover for a probe or the like, as shown and described.

**DESCRIPTION**

FIG. 1 is a top perspective view of a cover for a probe or the like according to the first embodiment of our new design; FIG. 2 is a bottom perspective view of the portions of the probe cover shown in FIG. 1; FIG. 3 is a side cross-section view of the portions of the probe cover shown in FIG. 1 taken along line 3-3 in FIG. 4; FIG. 4 is a bottom plan view of the portions of the probe cover shown in FIG. 1; FIG. 5 is a side view of the portions of the probe cover shown in FIG. 1; FIG. 6 is a top plan view of the portions of the probe cover shown in FIG. 1; FIG. 7 is a top perspective view of cover for a probe or the like according to a second embodiment of our new design; FIG. 8 is a bottom perspective view of the portions of the probe cover shown in FIG. 7; FIG. 9 is a side cross-section view of the portions of the probe cover shown in FIG. 7 taken along line 9-9 in FIG. 10; FIG. 10 is a bottom plan view of the portions of the probe cover shown in FIG. 7; FIG. 11 is a side view of the portions of the probe cover shown in FIG. 7; and, FIG. 12 is a top plan view of the portions of the probe cover shown in FIG. 7.

Broken lines immediately adjacent shaded areas represent bounds of the claimed design. All other broken lines are directed to environment or unclaimed features. The broken lines form no part of the claimed design.

**1 Claim, 12 Drawing Sheets**



# US D685,482 S

## U.S. PATENT DOCUMENTS

3,878,836	A *	4/1975	Twentier	600/200
3,929,018	A	12/1975	Turner	
3,987,899	A	10/1976	Vyprachticky	
D246,352	S *	11/1977	Dykstra	D10/103
D248,839	S *	8/1978	Turner	D10/60
D267,154	S *	12/1982	Bilgutay	D10/57
4,380,998	A	4/1983	Kieffer, III et al.	
4,662,360	A	5/1987	O'Hara et al.	
4,784,149	A	11/1988	Berman et al.	
D303,008	S *	8/1989	O'Hara et al.	D24/135
4,863,281	A	9/1989	Suszynski	
D318,812	S *	8/1991	Matsuura et al.	D24/135
5,066,142	A	11/1991	DeFrank et al.	
5,088,834	A	2/1992	Howe et al.	
5,163,418	A	11/1992	Fraden et al.	
5,176,630	A	1/1993	Shilling et al.	
5,293,862	A	3/1994	O'Hara et al.	
5,390,663	A	2/1995	Schaefer	
5,403,286	A	4/1995	Lockwood, Jr.	
5,411,032	A	5/1995	Esseff et al.	
5,516,010	A	5/1996	O'Hara et al.	
5,588,748	A	12/1996	Nomura et al.	
5,645,350	A	7/1997	Jang	
5,707,343	A	1/1998	O'Hara et al.	
5,795,067	A	8/1998	Fraden et al.	
5,893,833	A	4/1999	Pompei et al.	
5,968,458	A	10/1999	Shaikho	
5,980,451	A	11/1999	O'Hara et al.	
6,022,140	A	2/2000	Fraden et al.	
6,042,266	A	3/2000	Cheslock et al.	
6,053,875	A	4/2000	Rosenbaum et al.	
6,123,454	A	9/2000	Canfield et al.	
6,129,673	A	10/2000	Fraden	
6,139,182	A	10/2000	Levatter et al.	
6,142,934	A	11/2000	Lagerway et al.	
6,152,596	A	11/2000	Fraden	
6,155,987	A	12/2000	Scherl	
6,224,256	B1	5/2001	Bala	
6,254,271	B1	7/2001	Lin	
6,332,090	B1	12/2001	DeFrank et al.	
6,347,243	B1	2/2002	Fraden	
6,367,973	B2	4/2002	Yamaka	
6,383,133	B1	5/2002	Jones	
6,390,671	B1	5/2002	Tseng	
6,461,037	B1	10/2002	O'Leary	
6,513,970	B1	2/2003	Tabata et al.	
6,612,735	B2	9/2003	Tomioka et al.	
6,695,474	B2	2/2004	Beerwerth et al.	

6,751,497	B2	6/2004	Fraden	
6,786,636	B1	9/2004	Huang et al.	
6,789,936	B1	9/2004	Kraus et al.	
6,850,789	B2	2/2005	Schweitzer, Jr. et al.	
7,037,083	B2	5/2006	O'Neil et al.	
7,083,330	B1	8/2006	Yao	
7,237,949	B2	7/2007	Lantz et al.	
7,354,194	B2 *	4/2008	Walker et al.	374/158
7,494,273	B2	2/2009	Huang et al.	
7,556,424	B2	7/2009	Walker et al.	
7,585,108	B2	9/2009	Chuang et al.	
7,841,767	B2	11/2010	Harr	
2002/0085616	A1	7/2002	Yu	
2002/0163955	A1	11/2002	Yu	
2003/0179809	A1	9/2003	Nakagawa	
2005/0027168	A1	2/2005	Strom et al.	
2005/0027169	A1	2/2005	Goldfain et al.	
2005/0043588	A1	2/2005	Tsai	
2005/0085733	A1	4/2005	Wong	
2006/0020176	A1	1/2006	Berall	
2006/0120432	A1	6/2006	Lantz et al.	
2006/0165152	A1	7/2006	Walker et al.	
2007/0189358	A1	8/2007	Lane et al.	
2008/0123717	A1	5/2008	Lane et al.	
2009/0129437	A1	5/2009	Chuang et al.	
2010/0260230	A1	10/2010	Lane et al.	
2011/0134962	A1	6/2011	Fraden	
2011/0257521	A1	10/2011	Fraden	

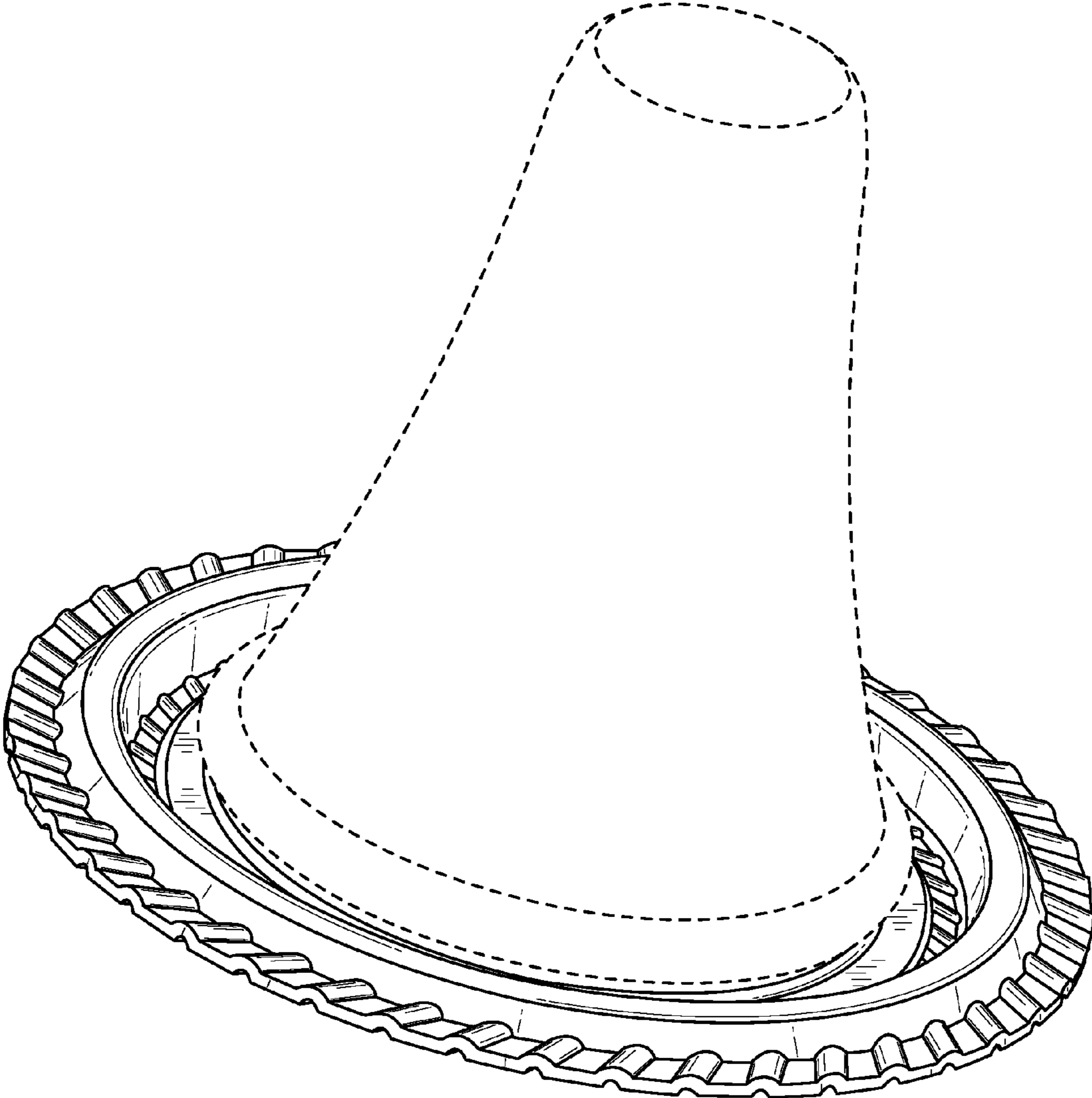
## FOREIGN PATENT DOCUMENTS

EP	1857037	11/2007
WO	WO9500067	1/1995
WO	WO9719332	5/1997
WO	WO9942760	8/1999
WO	WO02056756	7/2002
WO	WO2004063686	7/2004
WO	WO2010078219	7/2010

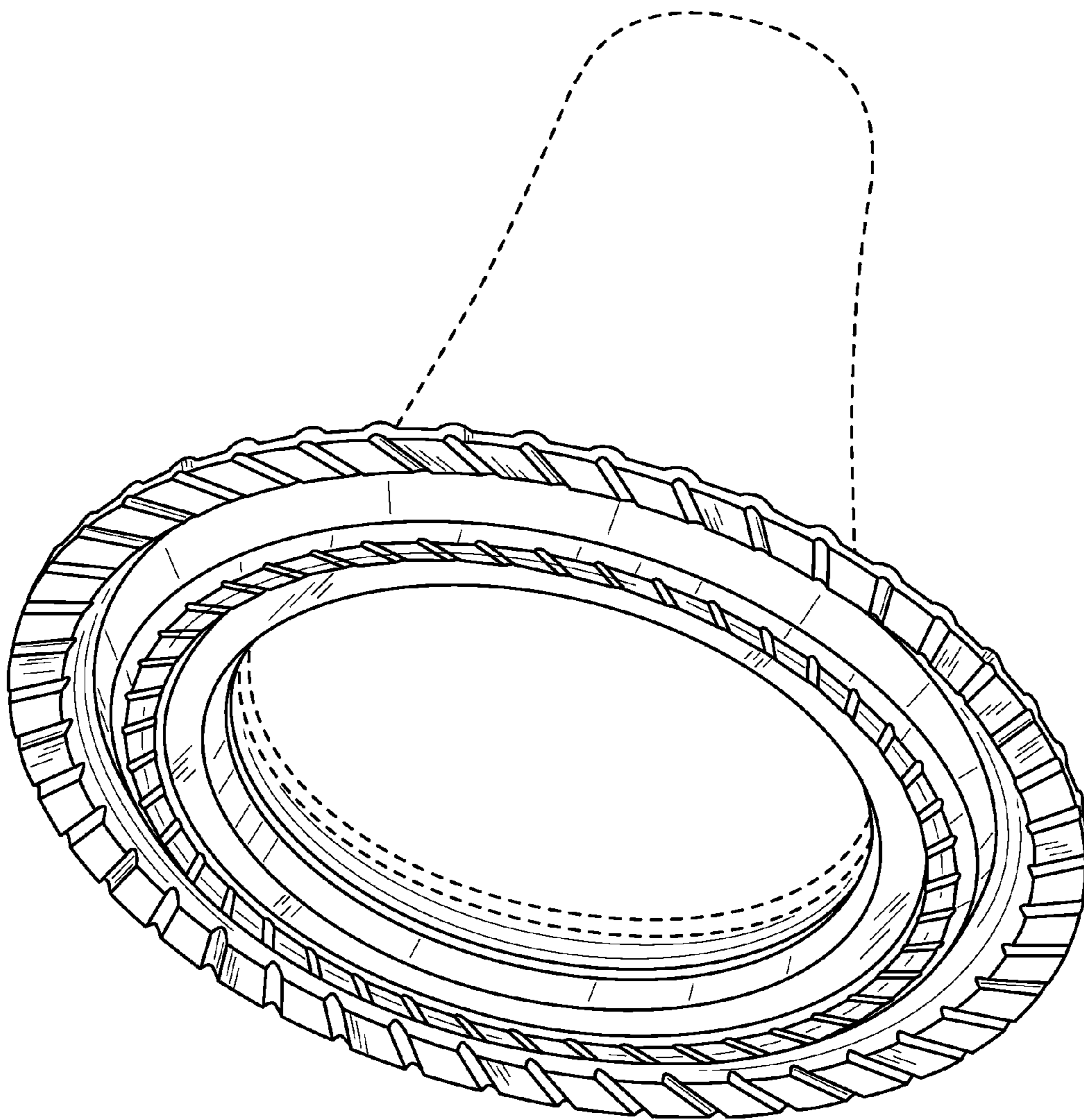
## OTHER PUBLICATIONS

International Search Report/Written Opinion for PCT Application No. PCT/US2010/030233; mailed Jun. 17, 2010; 9 pages.  
 Supplemental European Search Report dated Oct. 27, 2010, EP 08798437.3, 7 pages.  
 International Search Report, mailed Mar. 10, 2009, PCT/US2008/073956, 4 pages.  
 Anonymous, "FirstTemp Genius Infrared Thermometer," Feb. 2004, Tyco Healthcare, pp. 1-4.

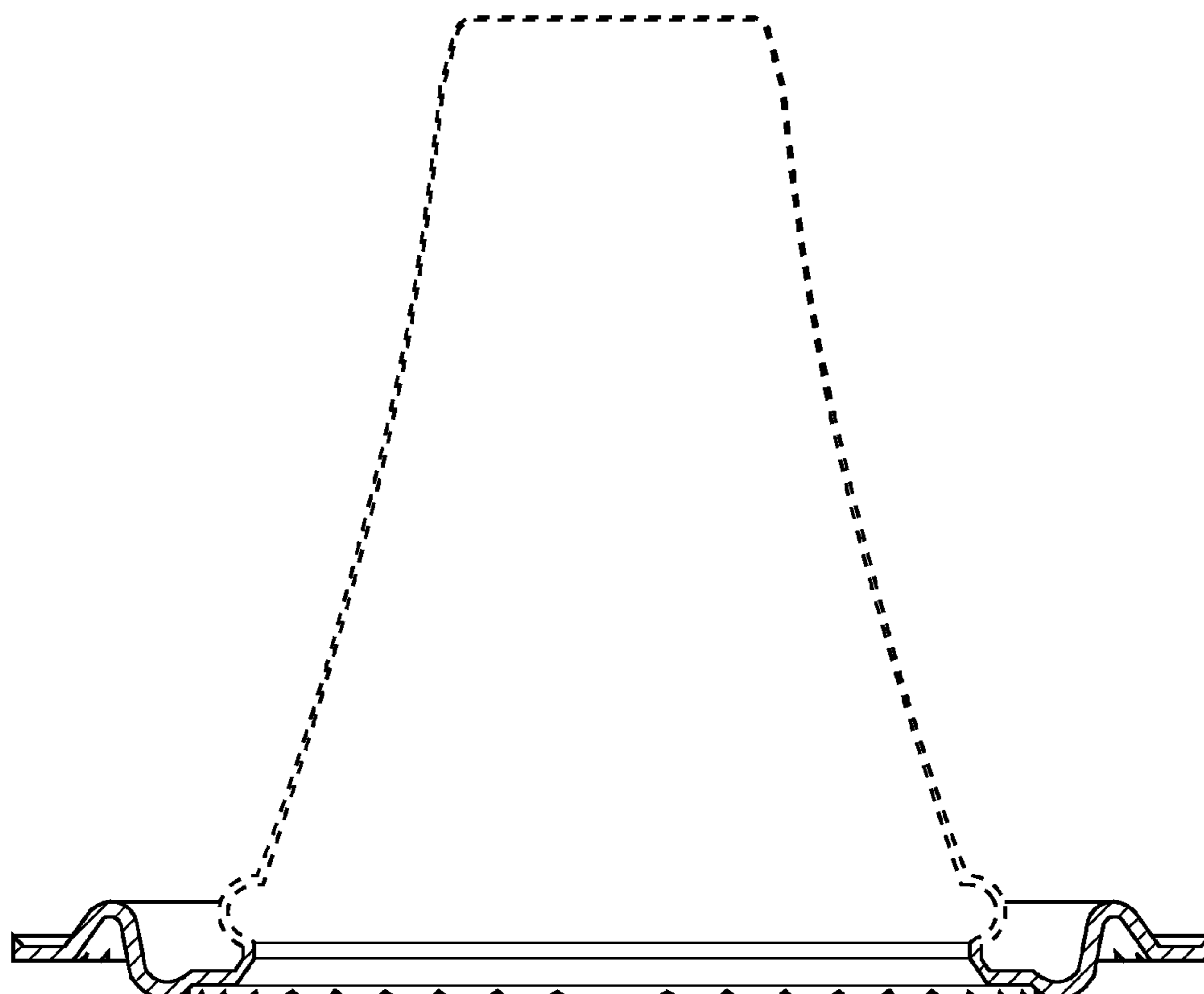
\* cited by examiner



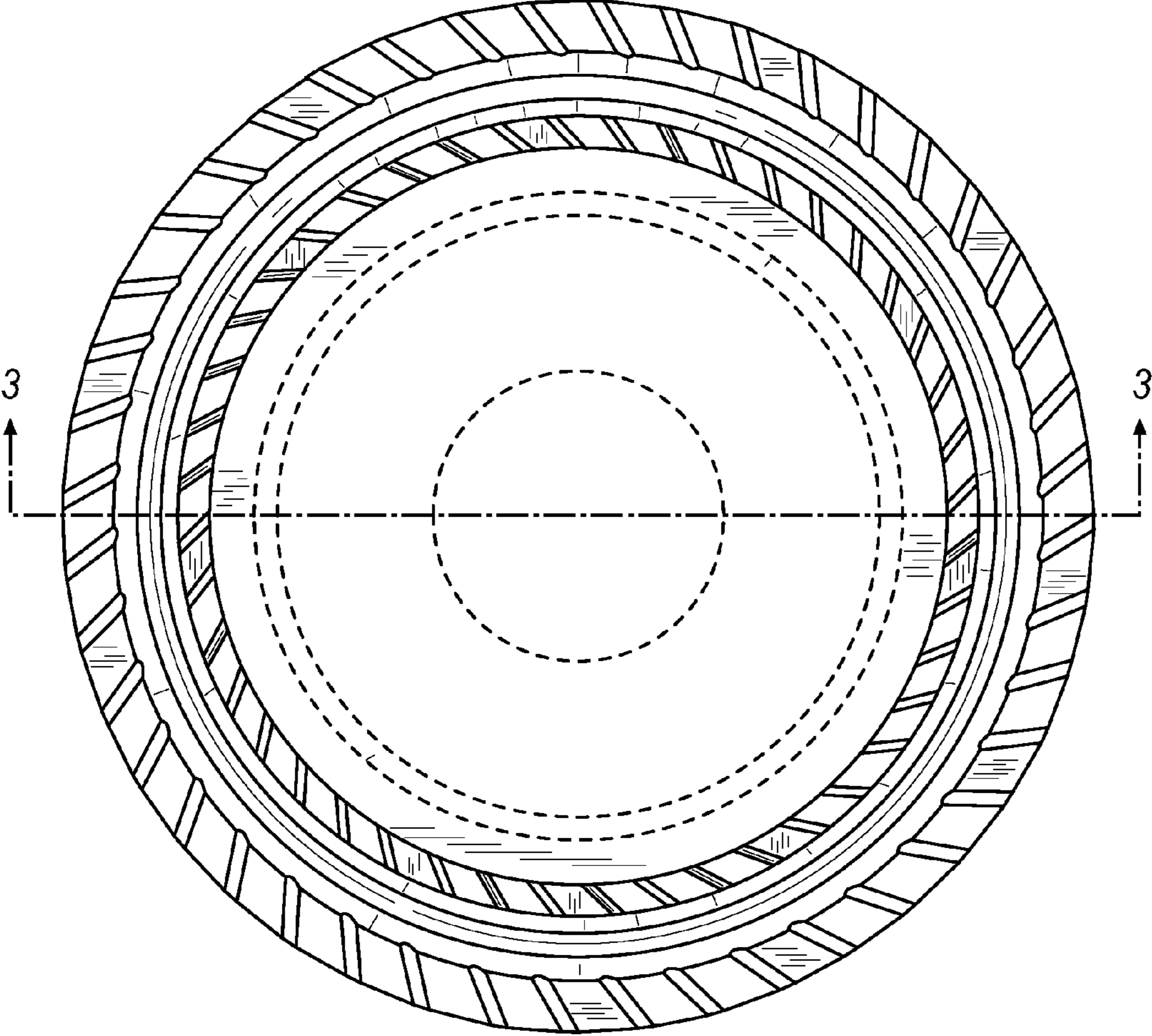
**FIG. 1**



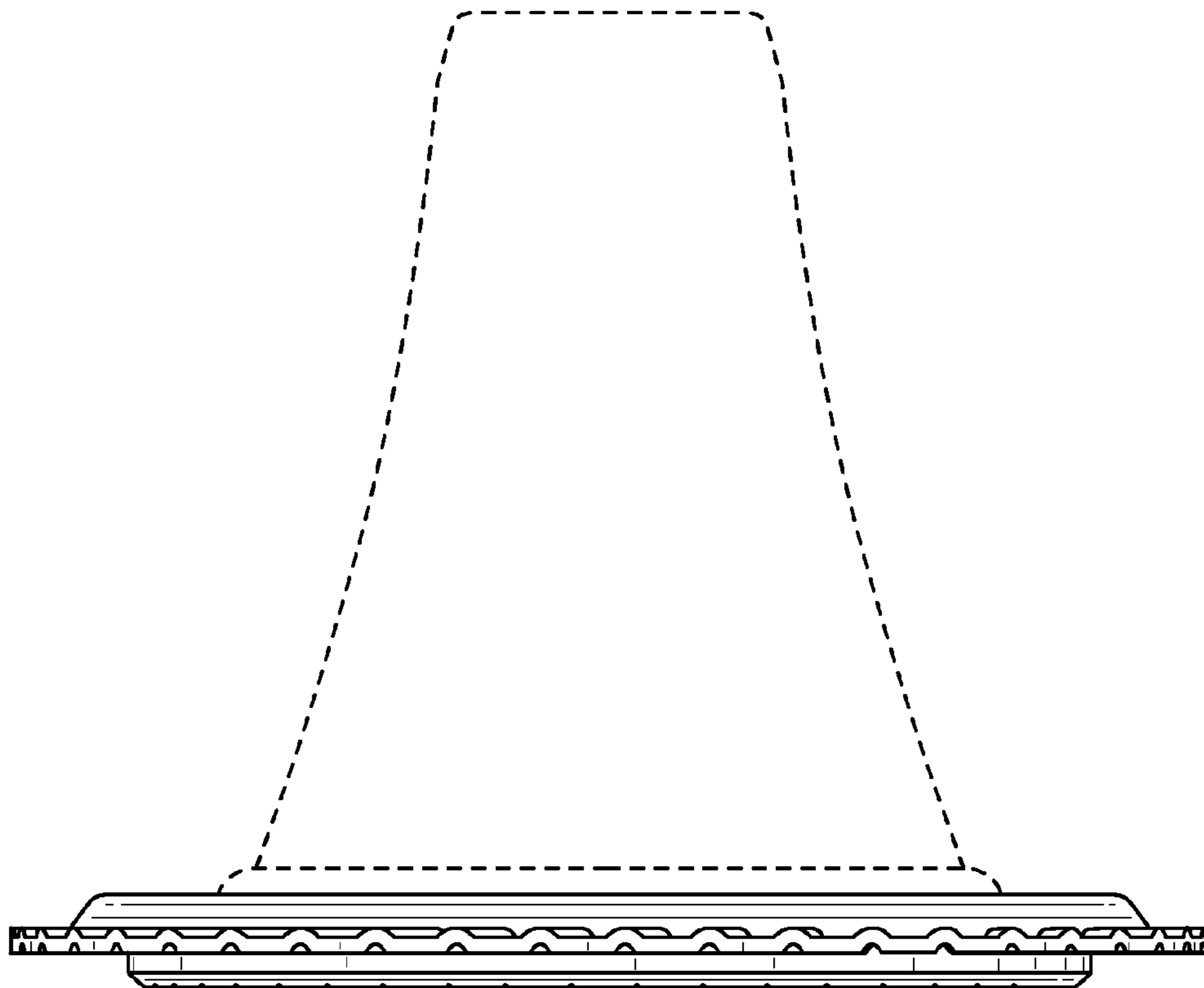
**FIG. 2**



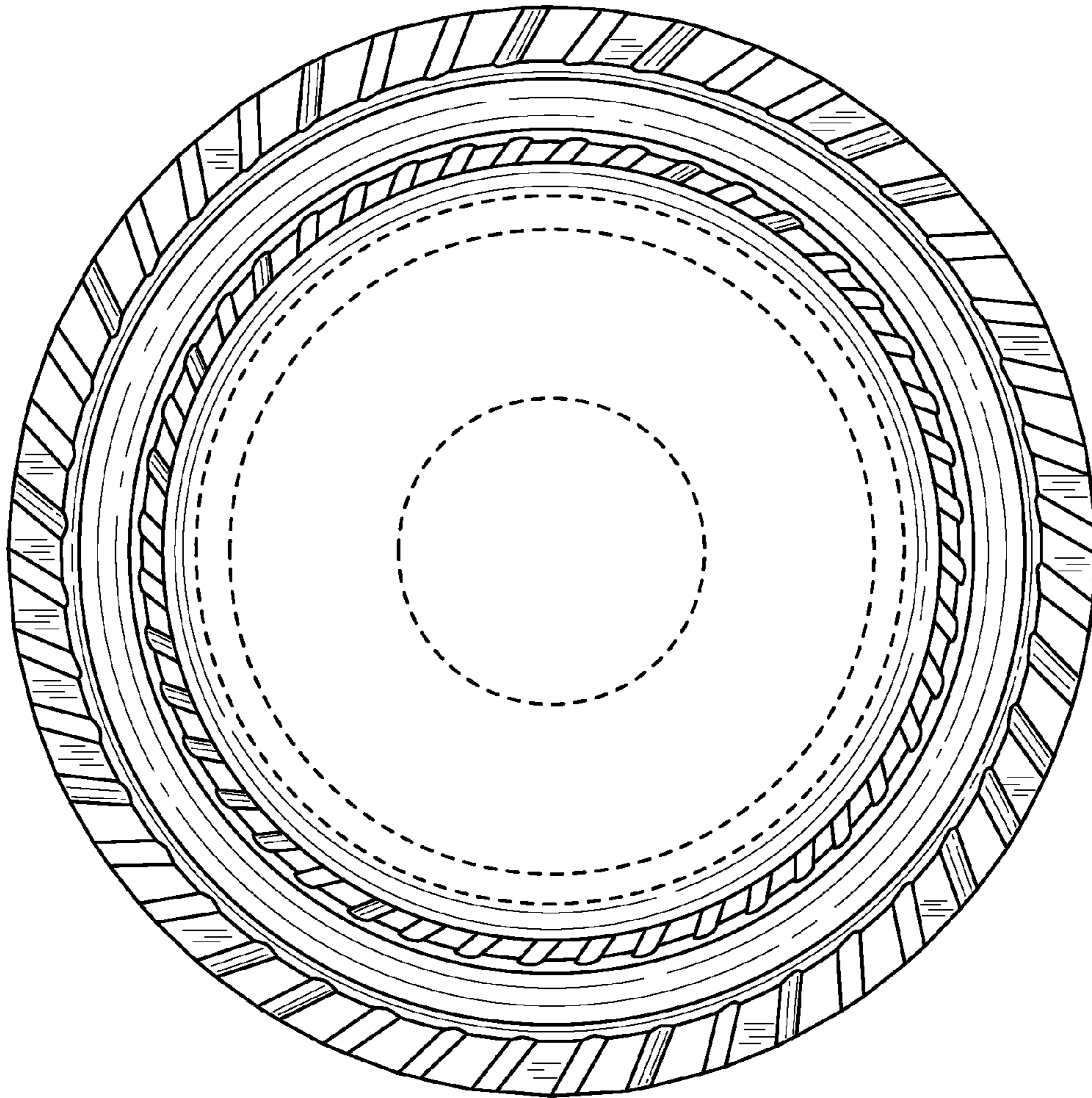
**FIG. 3**



**FIG. 4**

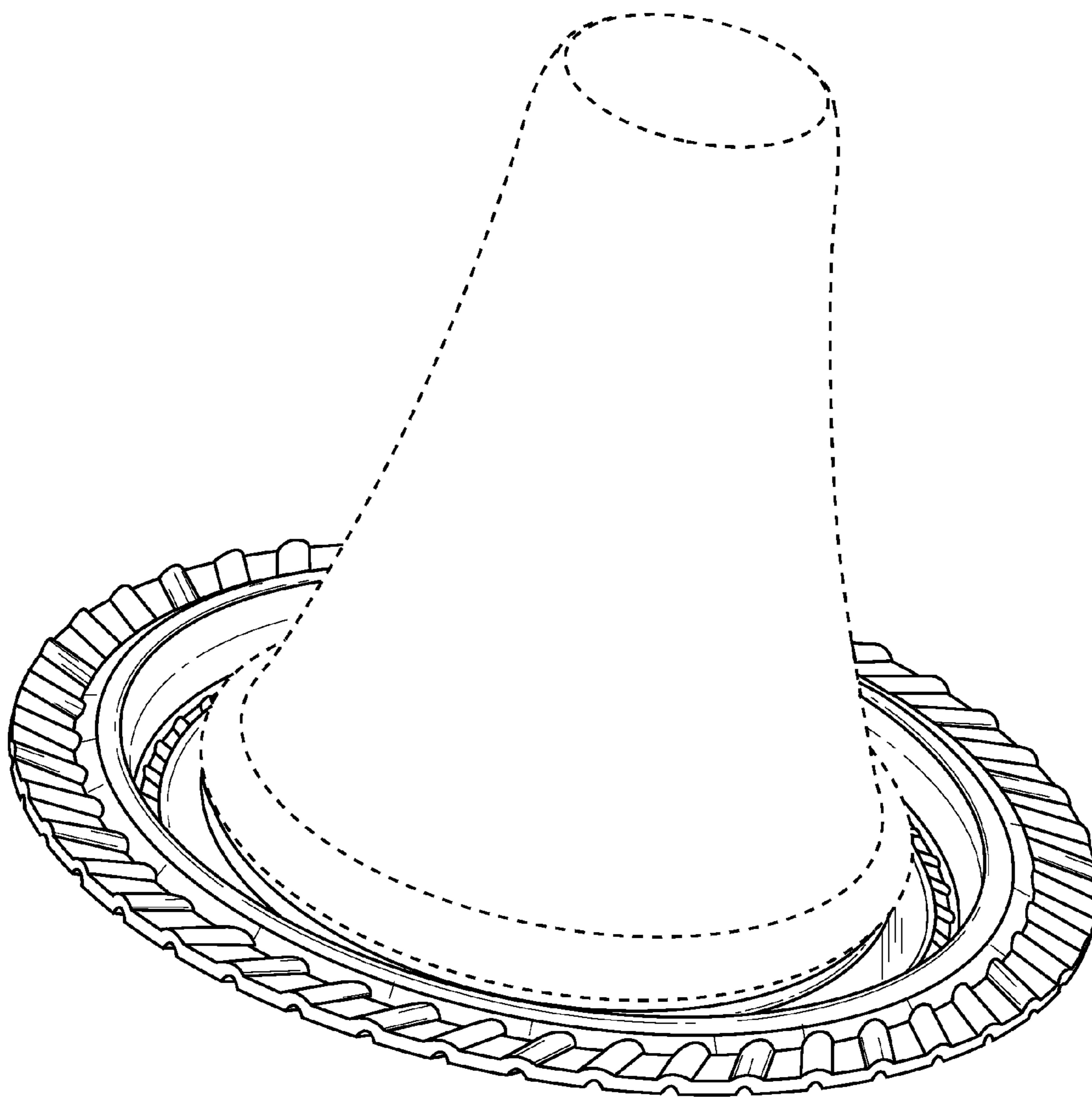


**FIG. 5**

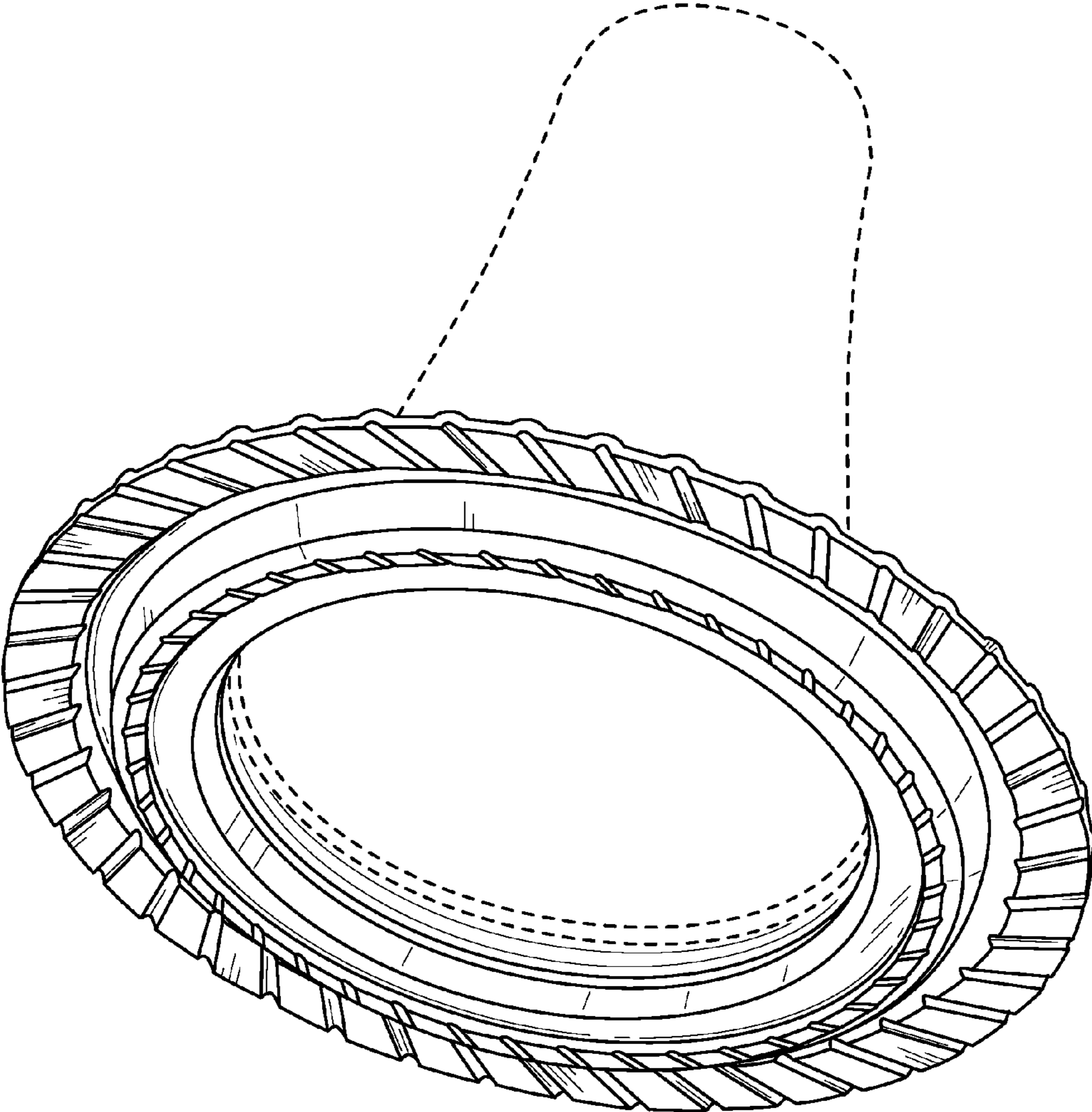


**FIG. 6**

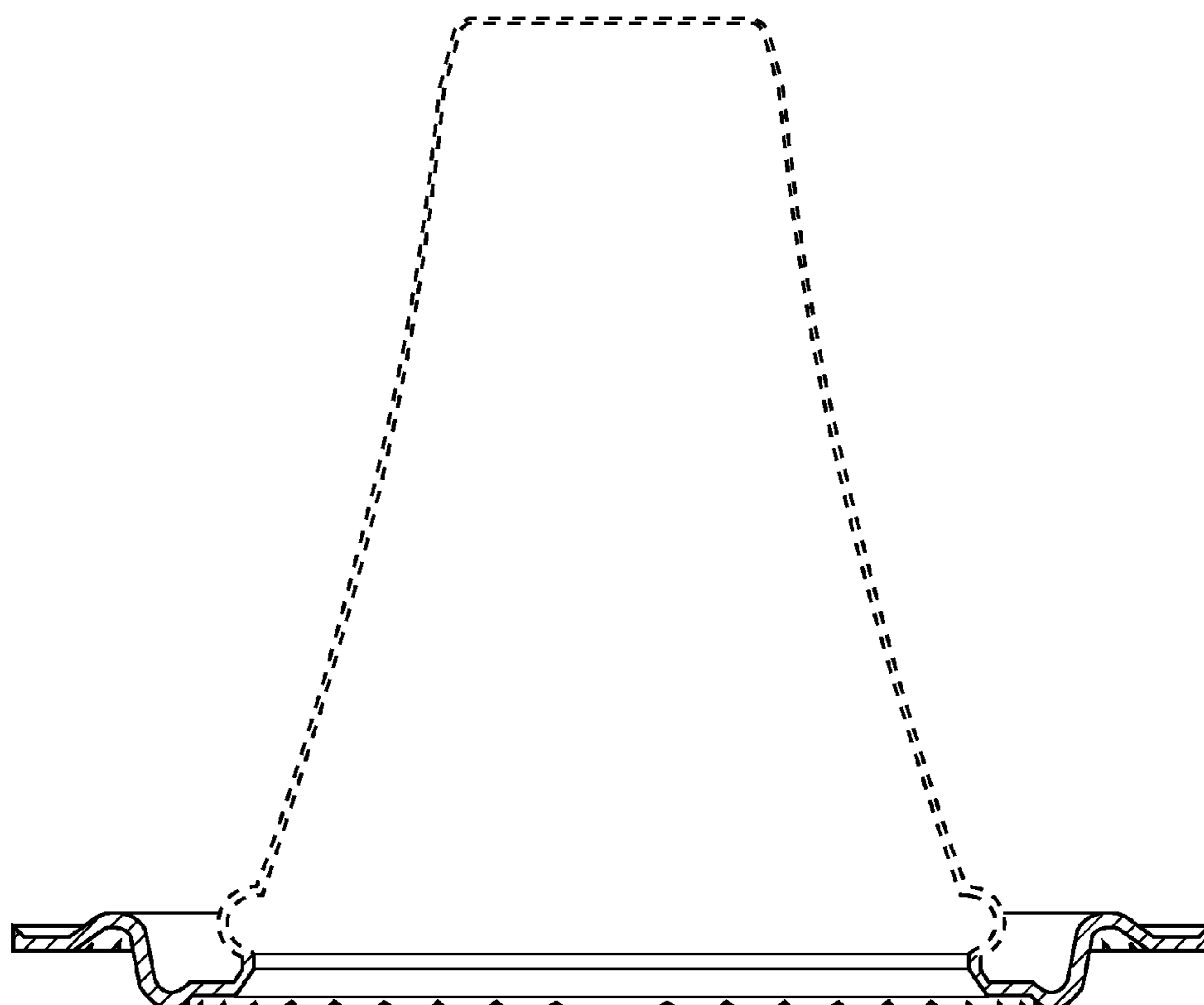




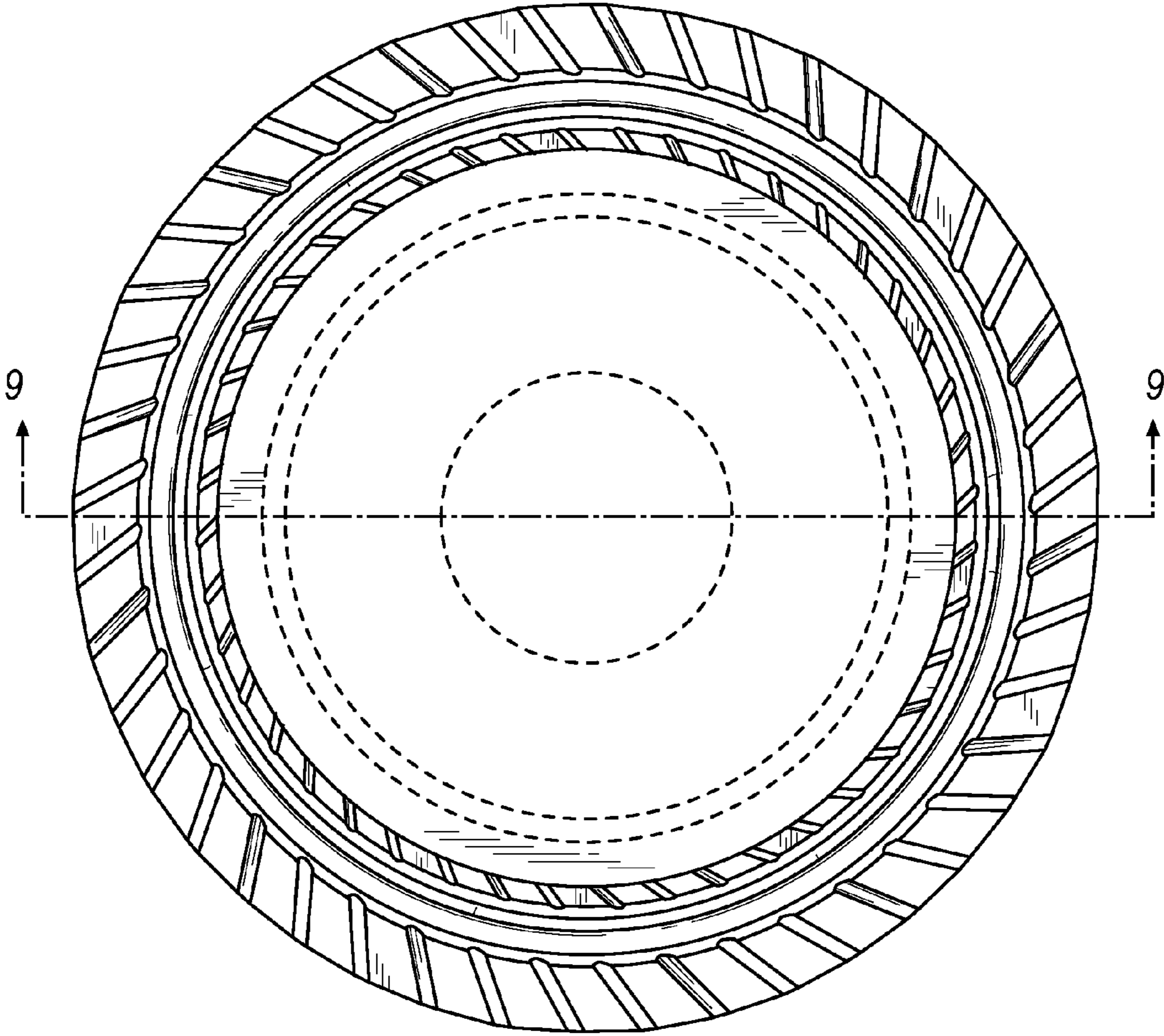
**FIG. 7**



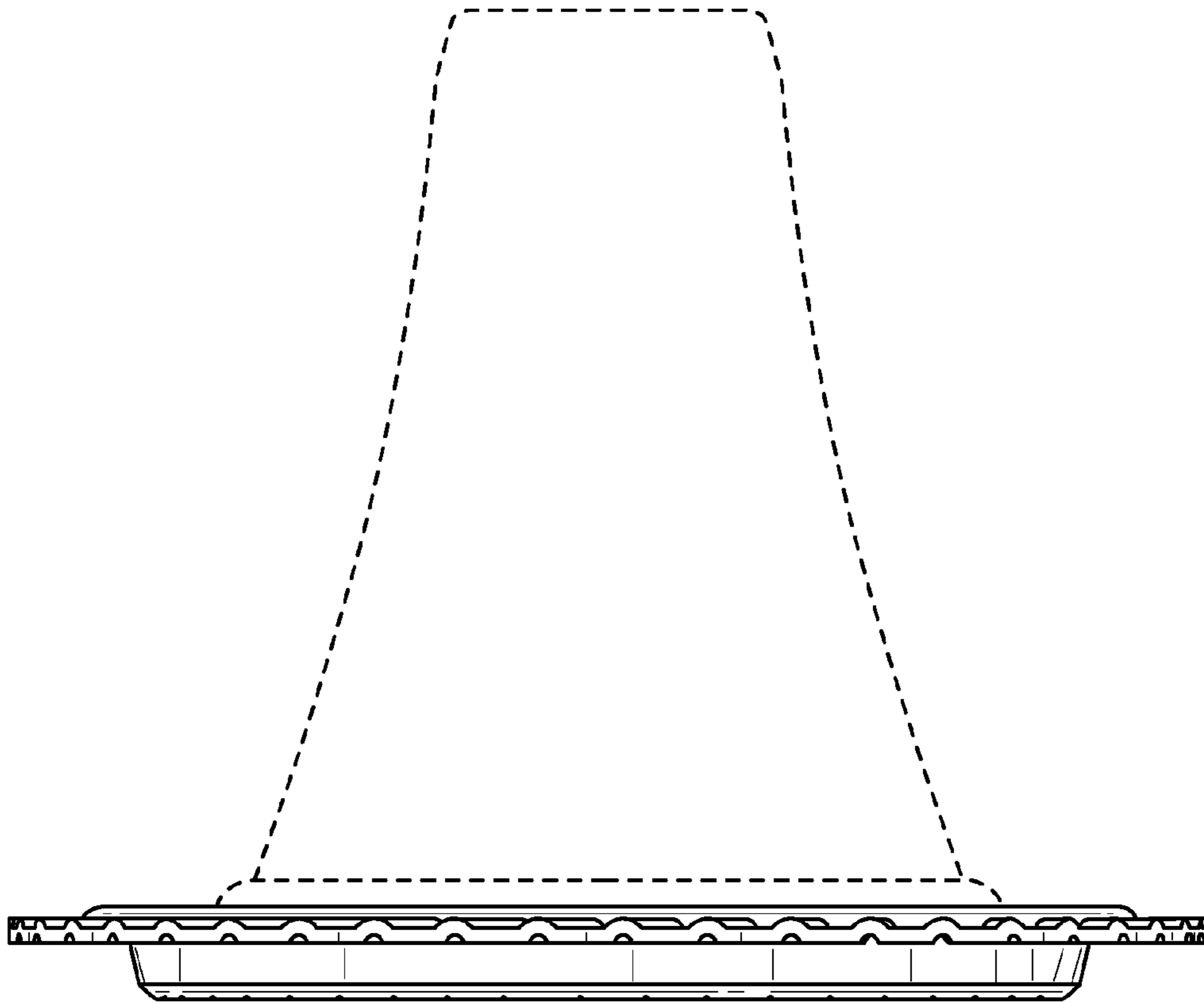
**FIG. 8**



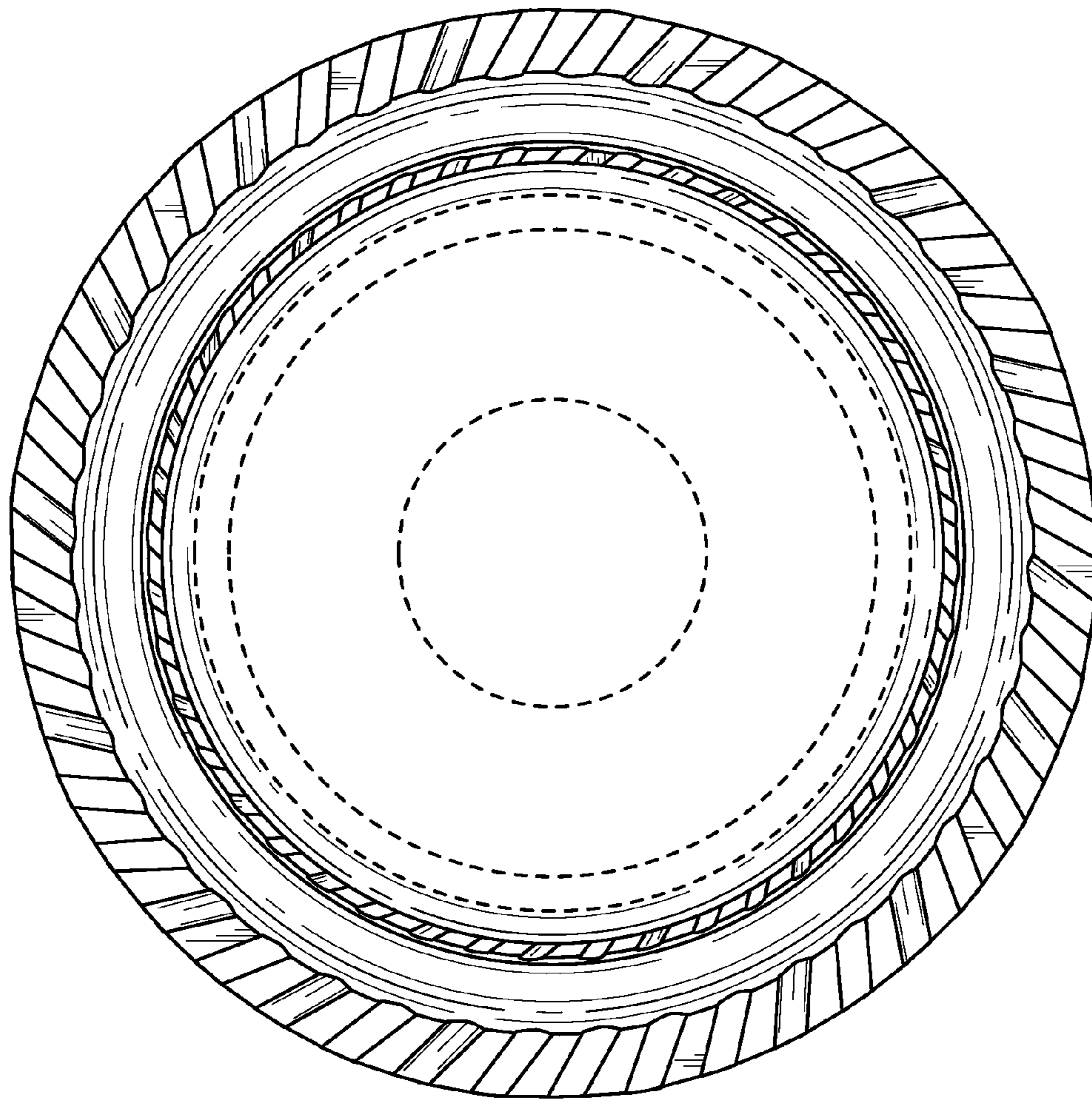
**FIG. 9**



**FIG. 10**



**FIG. 11**



**FIG. 12**

UNITED STATES PATENT AND TRADEMARK OFFICE  
**CERTIFICATE OF CORRECTION**

PATENT NO. : D685,482 S  
APPLICATION NO. : 29/429431  
DATED : July 2, 2013  
INVENTOR(S) : Scott A. Martin et al.

Page 1 of 1

It is certified that error appears in the above-identified patent and that said Letters Patent is hereby corrected as shown below:

On The Title Page, Item (73)

The correct Assignee(s) should be listed as:

WELCH ALLYN, INC. Skaneateles Falls, NY (US)

KAZ USA, INC. Southborough, MA (US)

Signed and Sealed this  
Seventeenth Day of March, 2015



Michelle K. Lee  
*Director of the United States Patent and Trademark Office*