



US00D685478S

(12) **United States Design Patent**
Lomas et al.

(10) **Patent No.:** **US D685,478 S**

(45) **Date of Patent:** **** Jul. 2, 2013**

(54) **CONTROL DEVICE**

(75) Inventors: **David J Lomas**, Cambridge (GB);
Martin J Graves, Cambridge (GB);
Daniel P Godfrey, Cambridge (GB);
David B Warwick, Cambridge (GB)

(73) Assignee: **Cambridge Enterprise Limited**,
Cambridge (GB)

(**) Term: **14 Years**

(21) Appl. No.: **29/366,859**

(22) Filed: **Jul. 30, 2010**

(51) **LOC (9) Cl.** **24-01**

(52) **U.S. Cl.**
USPC **D24/158**

(58) **Field of Classification Search**
USPC D24/158-161, 185, 186; 378/4, 15,
378/17, 20, 21, 23-27, 62, 68, 146, 195-198,
378/177, 179, 208; D15/199; D13/162, 168,
D13/169; D14/402, 404, 452; 248/276.1,
248/278.1
See application file for complete search history.

(56) **References Cited**

U.S. PATENT DOCUMENTS

D391,638 S * 3/1998 Coons et al. D24/160
6,347,771 B1 * 2/2002 Lauzon et al. 248/118

D461,484 S * 8/2002 Kraft D15/199
D469,182 S * 1/2003 Choi et al. D24/158
D494,184 S * 8/2004 Lauzon et al. D14/457
D506,260 S * 6/2005 Ryan D24/186
D545,334 S * 6/2007 Kraft D15/199
D545,434 S * 6/2007 Ogiwara D24/158
D548,344 S * 8/2007 Ogiwara et al. D24/158
D624,186 S * 9/2010 Youn D24/158
2003/0091152 A1 * 5/2003 Dietz et al. 378/197

* cited by examiner

Primary Examiner — Anhdao Doan

(74) *Attorney, Agent, or Firm* — Stephen H. Eland; Dann,
Dorfman, Herrell & Skillman

(57) **CLAIM**

The ornamental design for a control device, as shown and described.

DESCRIPTION

FIG. 1 is a side view of a control device showing our new design;

FIG. 2 is an end view of the control device shown in FIG. 1;

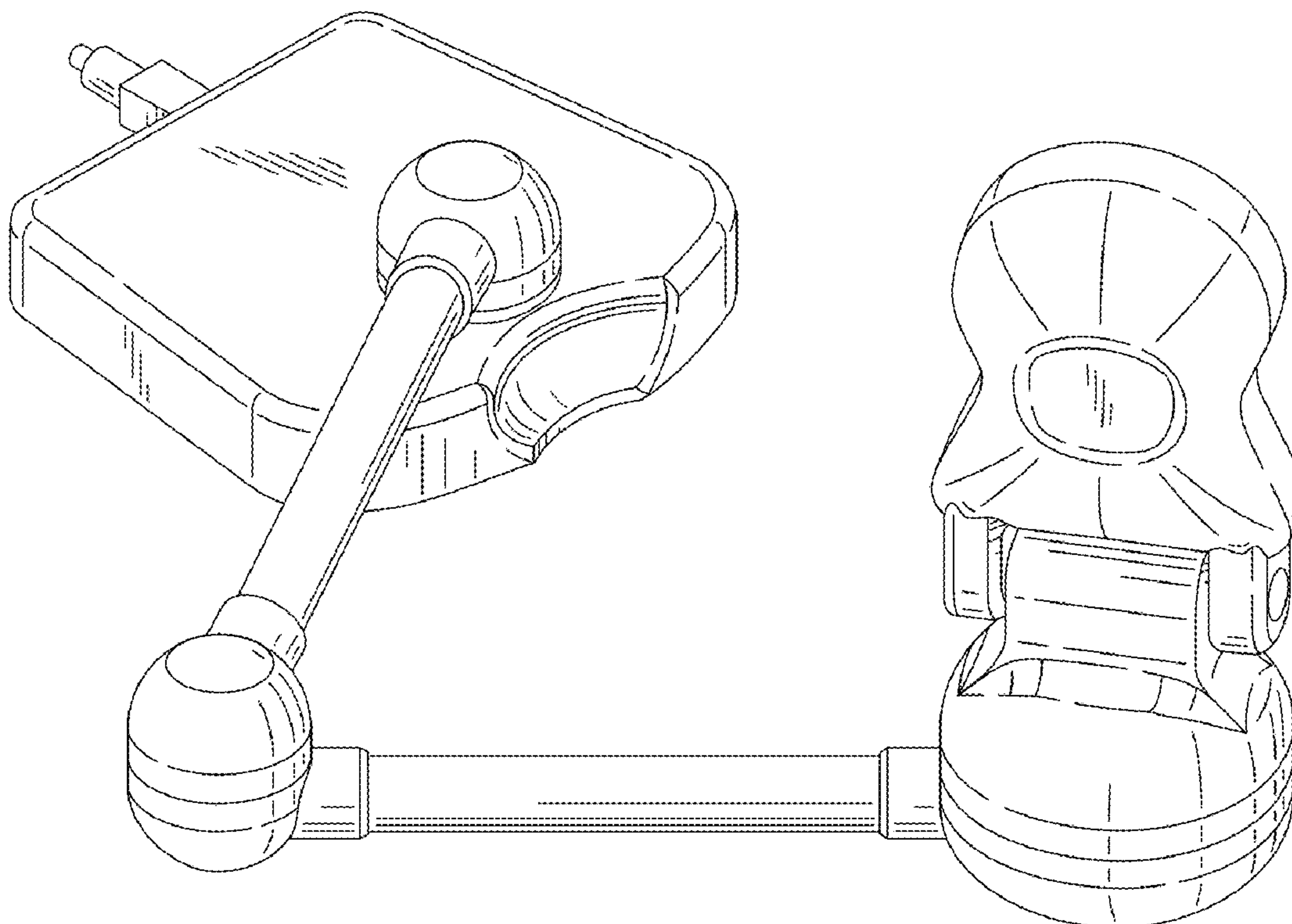
FIG. 3 is a top view of the control device shown in FIG. 1;

FIG. 4 is a right perspective view of the control device shown in FIG. 1; and,

FIG. 5 is a left perspective view of the control device shown in FIG. 1.

The broken lines show transition points for curved features and form no part of the claimed design.

1 Claim, 5 Drawing Sheets



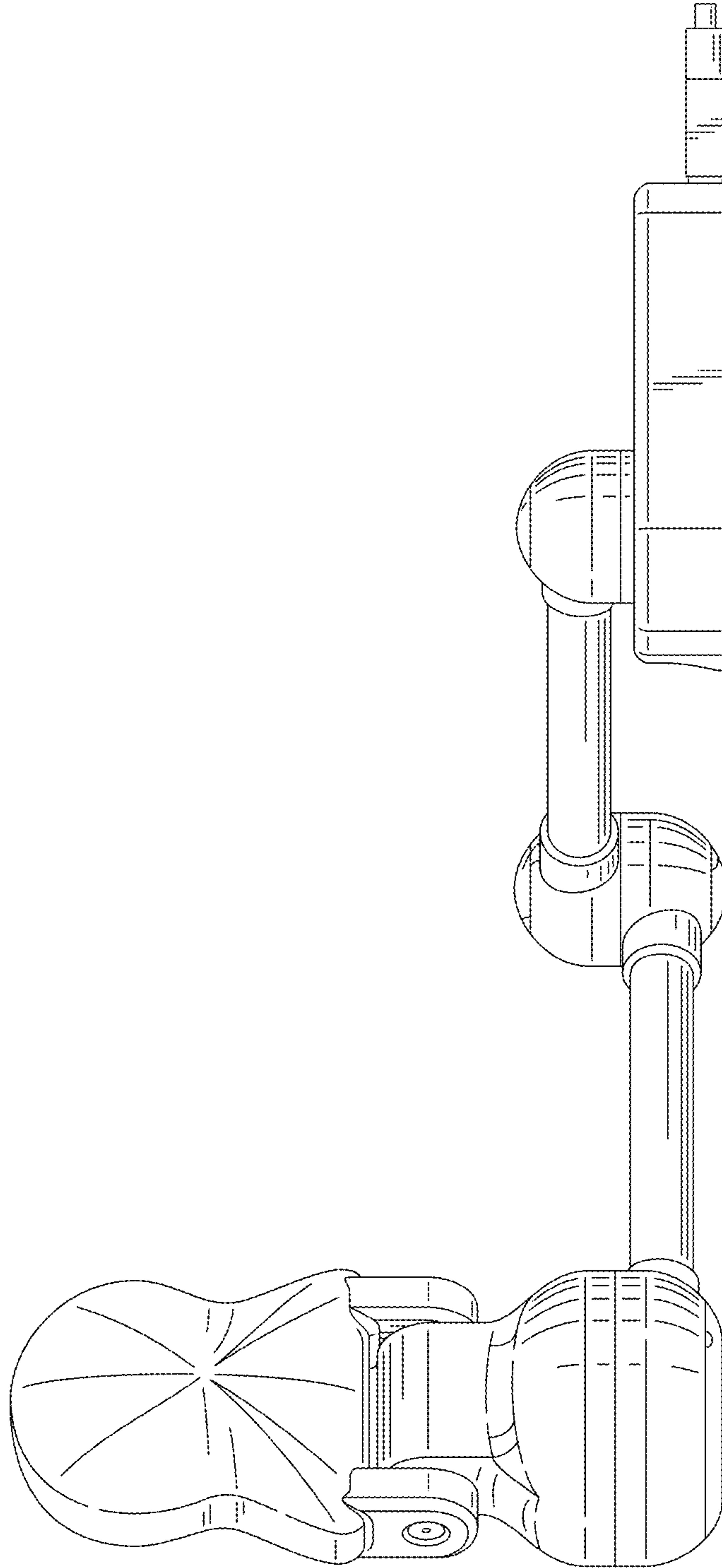


FIG. 1

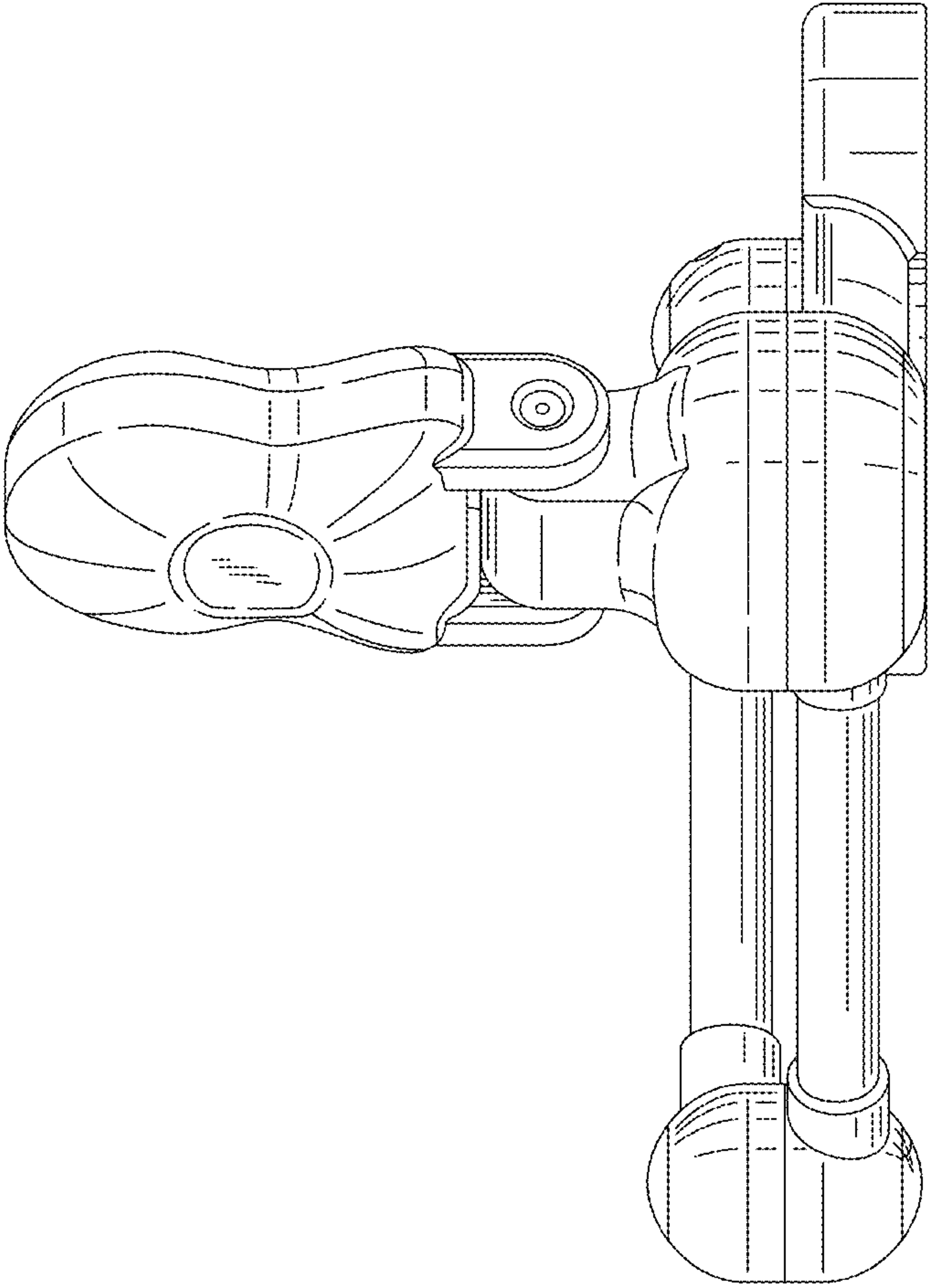


FIG. 2

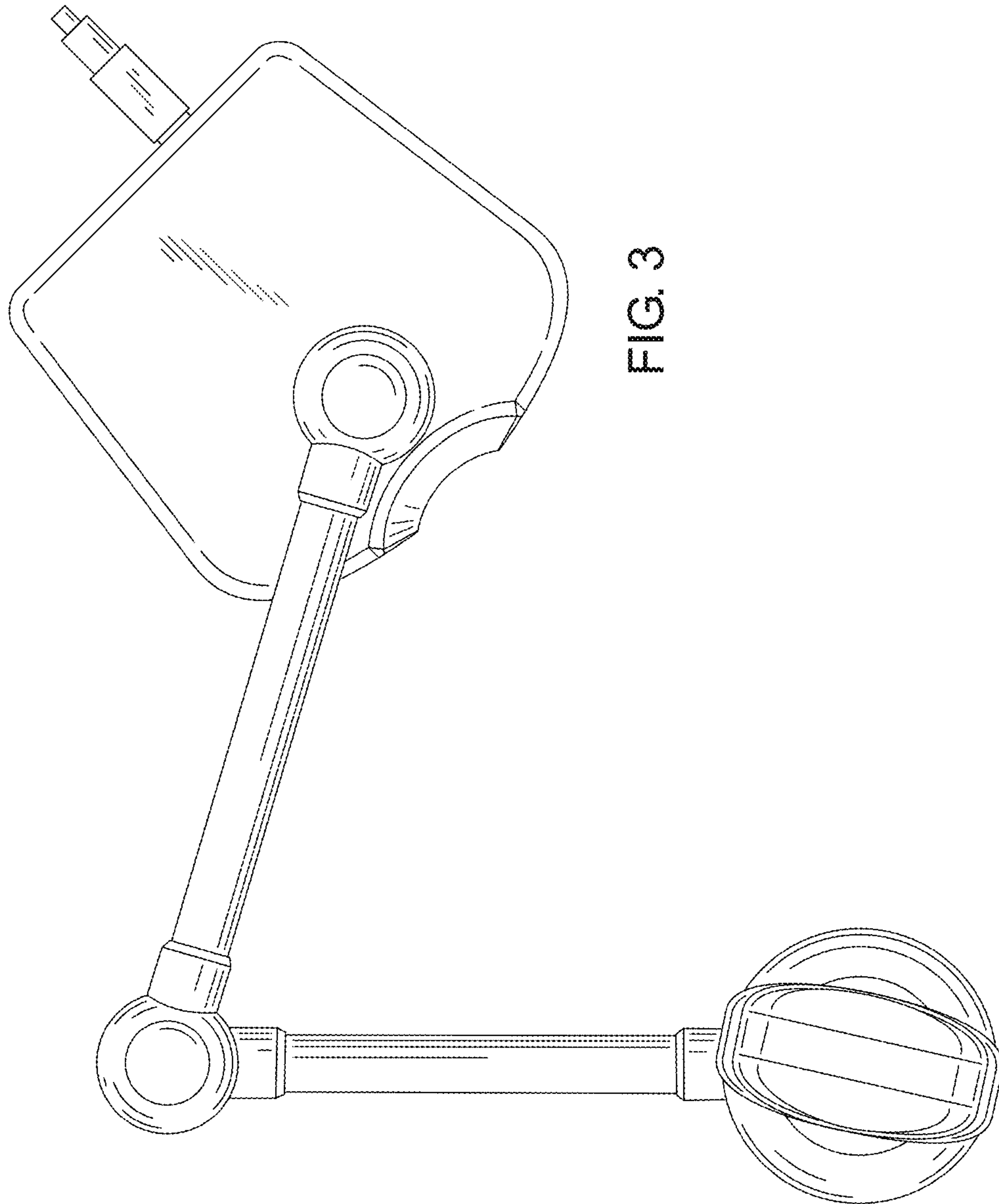


FIG. 3

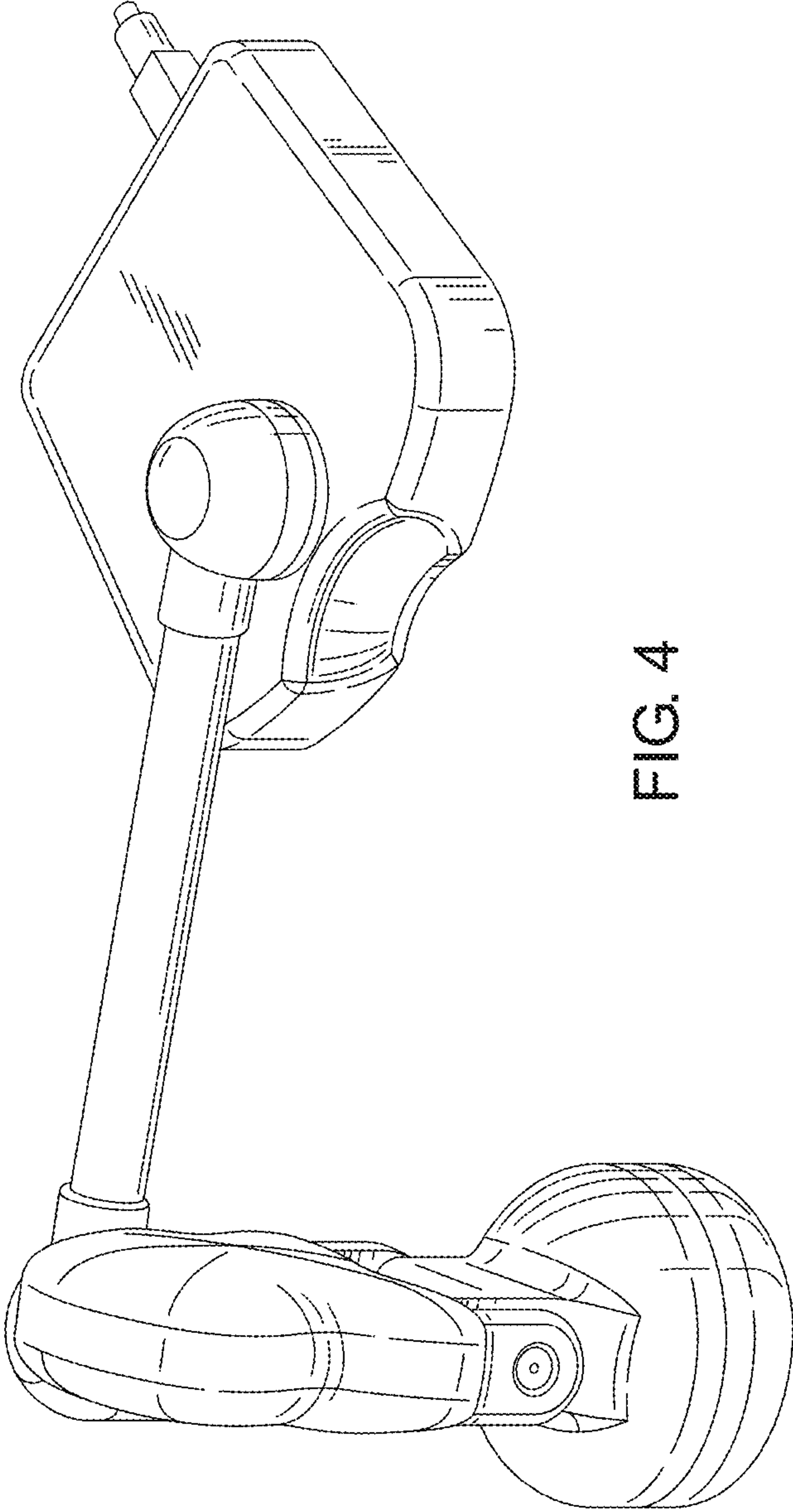


FIG. 4

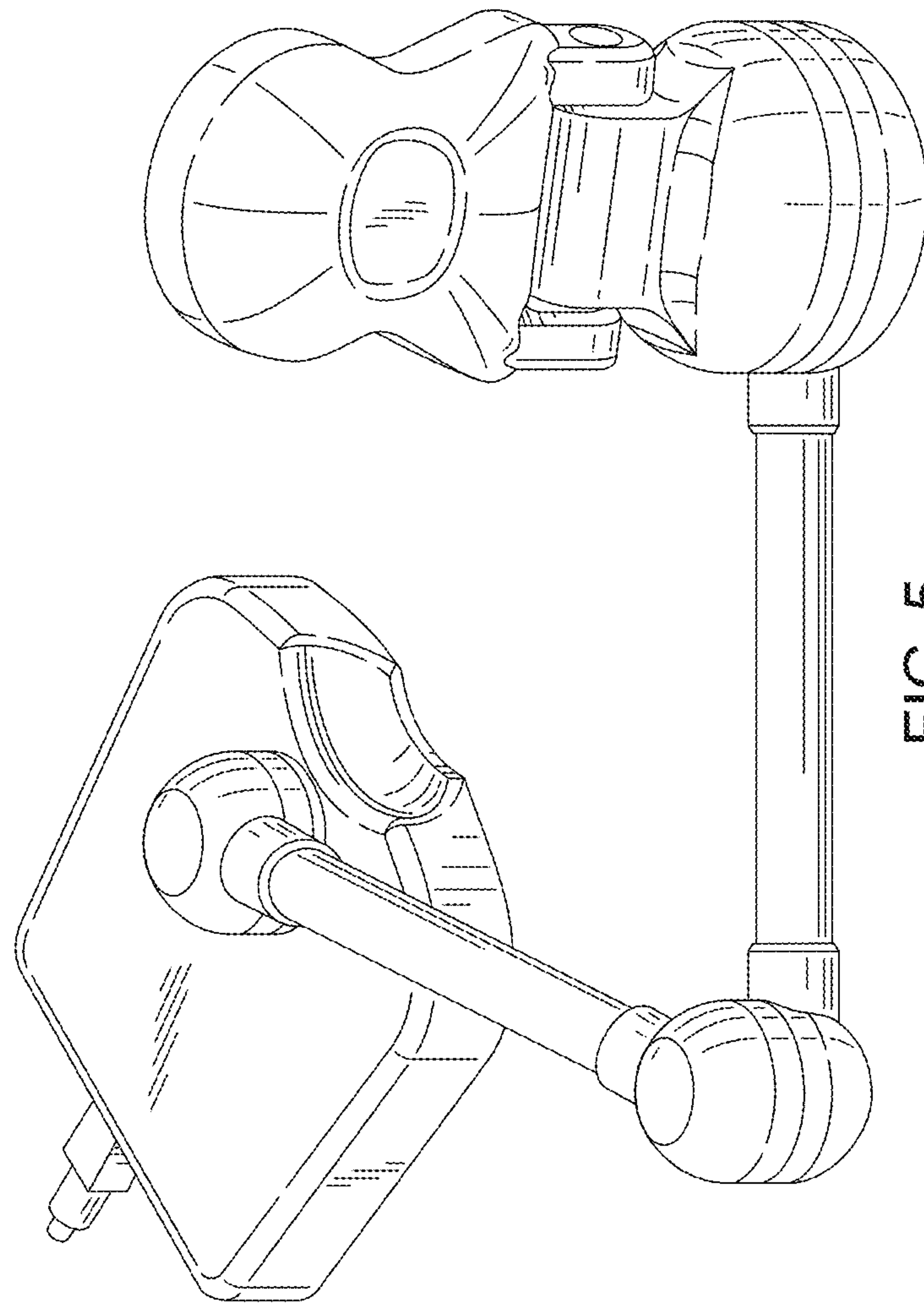


FIG. 5