



US00D685475S

(12) **United States Design Patent**
Brotman

(10) **Patent No.:** **US D685,475 S**
(45) **Date of Patent:** **** Jul. 2, 2013**

- (54) **SPINAL IMPLANT**
- (75) Inventor: **Michael Brotman**, San Diego, CA (US)
- (73) Assignee: **NuVasive, In.**, San Diego, CA (US)
- (**) Term: **14 Years**
- (21) Appl. No.: **29/419,794**
- (22) Filed: **May 1, 2012**

D595,853 S *	7/2009	Hanson et al.	D24/155
D611,147 S *	3/2010	Hanson et al.	D24/155
D615,653 S *	5/2010	Horton	D24/155
D620,116 S *	7/2010	Pannu	D24/155
D623,748 S *	9/2010	Horton et al.	D24/155
D623,749 S *	9/2010	Horton et al.	D24/155
D627,468 S *	11/2010	Richter et al.	D24/155
D629,108 S *	12/2010	Richter et al.	D24/155
D631,967 S *	2/2011	Horton	D24/155

* cited by examiner

Primary Examiner — Ian Simmons

Assistant Examiner — Charles Hanson

(74) *Attorney, Agent, or Firm* — NuVasive, Inc.; Jonathan Spangler

Related U.S. Application Data

- (63) Continuation of application No. 29/369,140, filed on Sep. 2, 2010, now Pat. No. Des. 658,761.
- (51) **LOC (9) Cl.** **24-02**
- (52) **U.S. Cl.**
USPC **D24/155**
- (58) **Field of Classification Search**
USPC D24/155, 156, 133, 152, 154, 135,
D24/141, 144–146, 151; 606/194, 198;
604/1.02, 103.02; 128/204.18
See application file for complete search history.

(57) **CLAIM**

The ornamental design for a spinal implant, substantially as shown and described.

DESCRIPTION

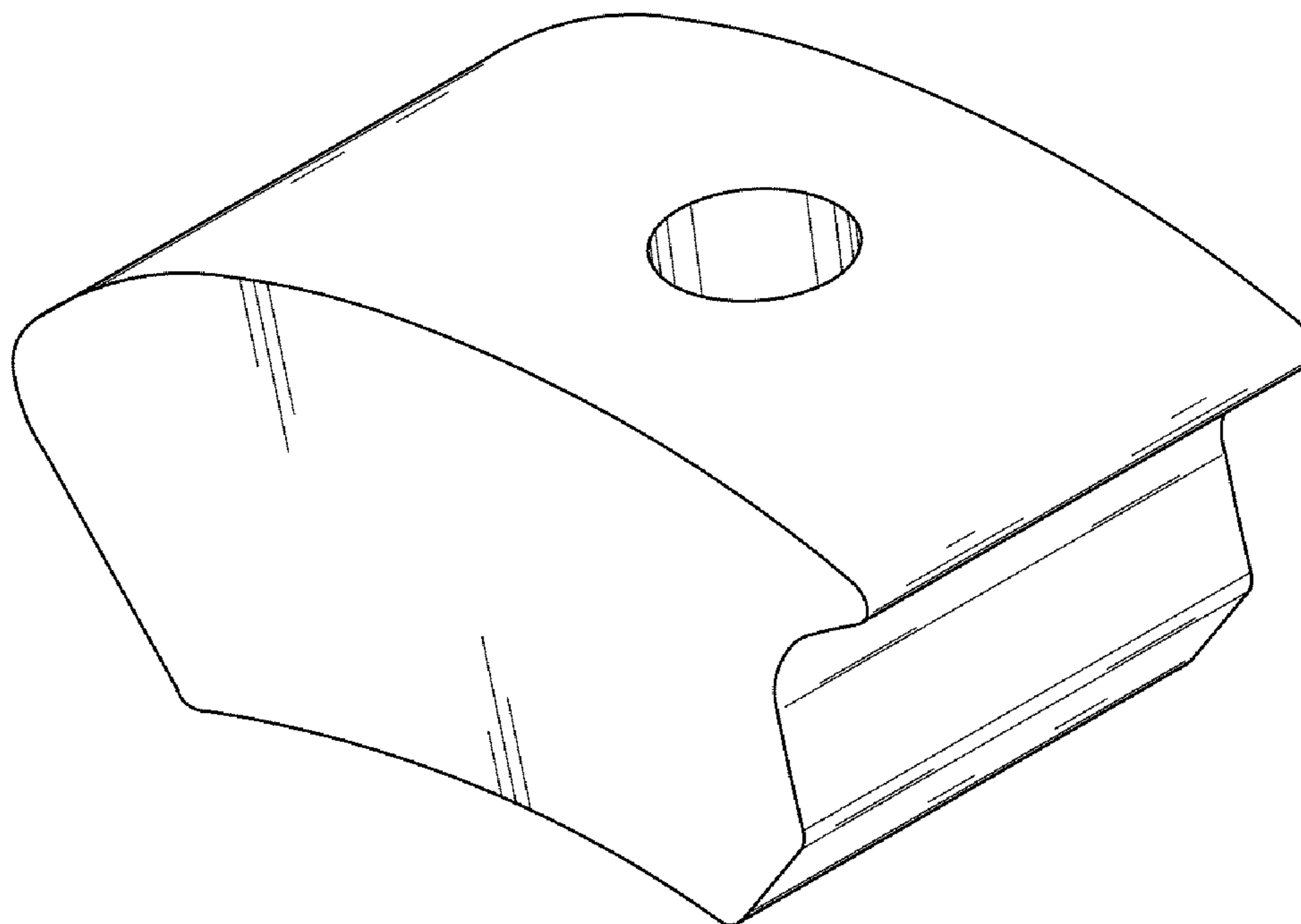
FIG. 1 is a perspective view of a spinal implant showing our new design;
 FIG. 2 is a first side view thereof;
 FIG. 3 is a second side view thereof;
 FIG. 4 is a first end view thereof;
 FIG. 5 is a second end view thereof;
 FIG. 6 is a top view thereof; and,
 FIG. 7 is a bottom view thereof.

(56) **References Cited**

U.S. PATENT DOCUMENTS

D585,551 S *	1/2009	Blouin et al.	D24/155
D585,552 S *	1/2009	Blouin et al.	D24/155
D585,553 S *	1/2009	Valois	D24/155

1 Claim, 4 Drawing Sheets



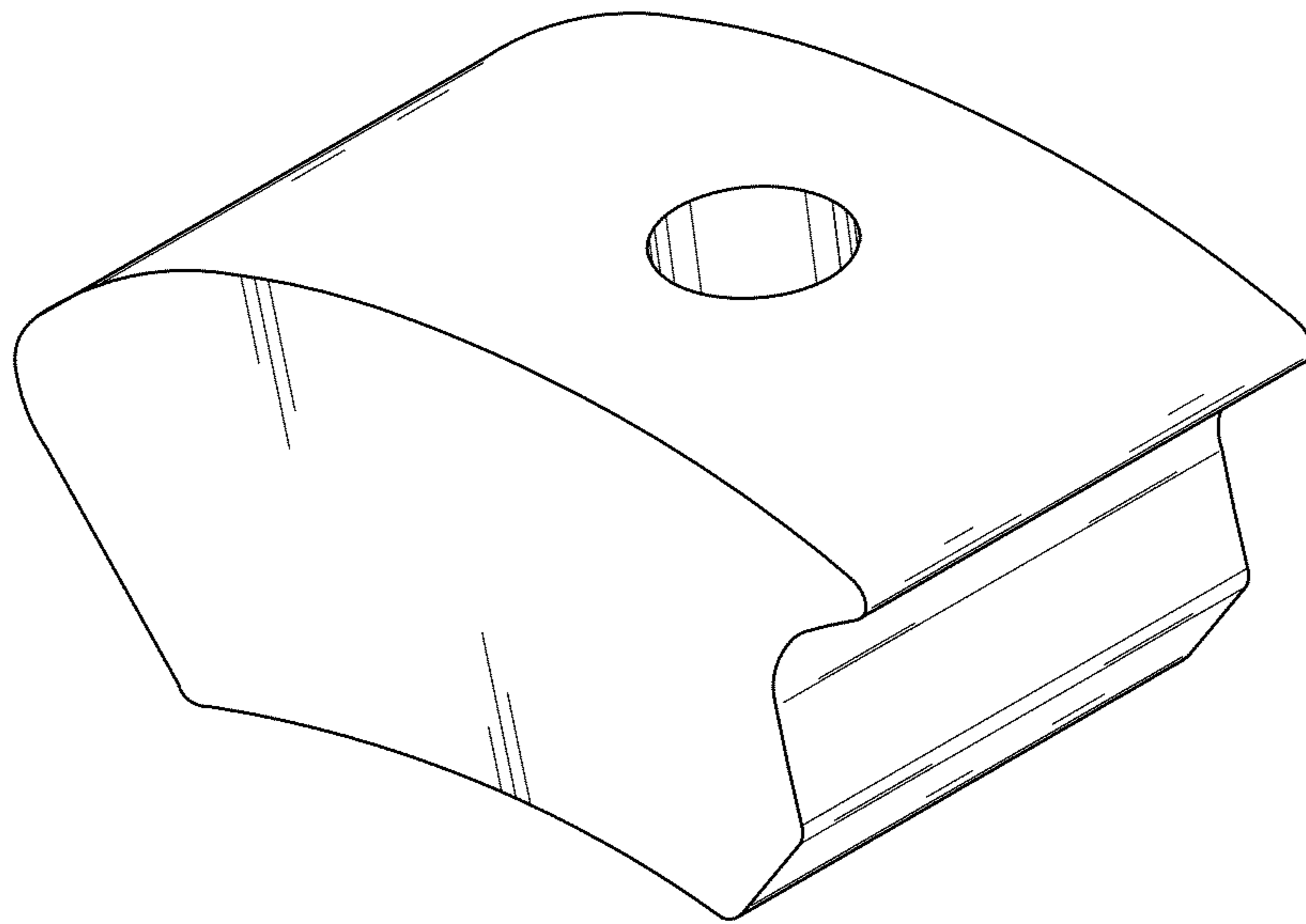


FIG. 1

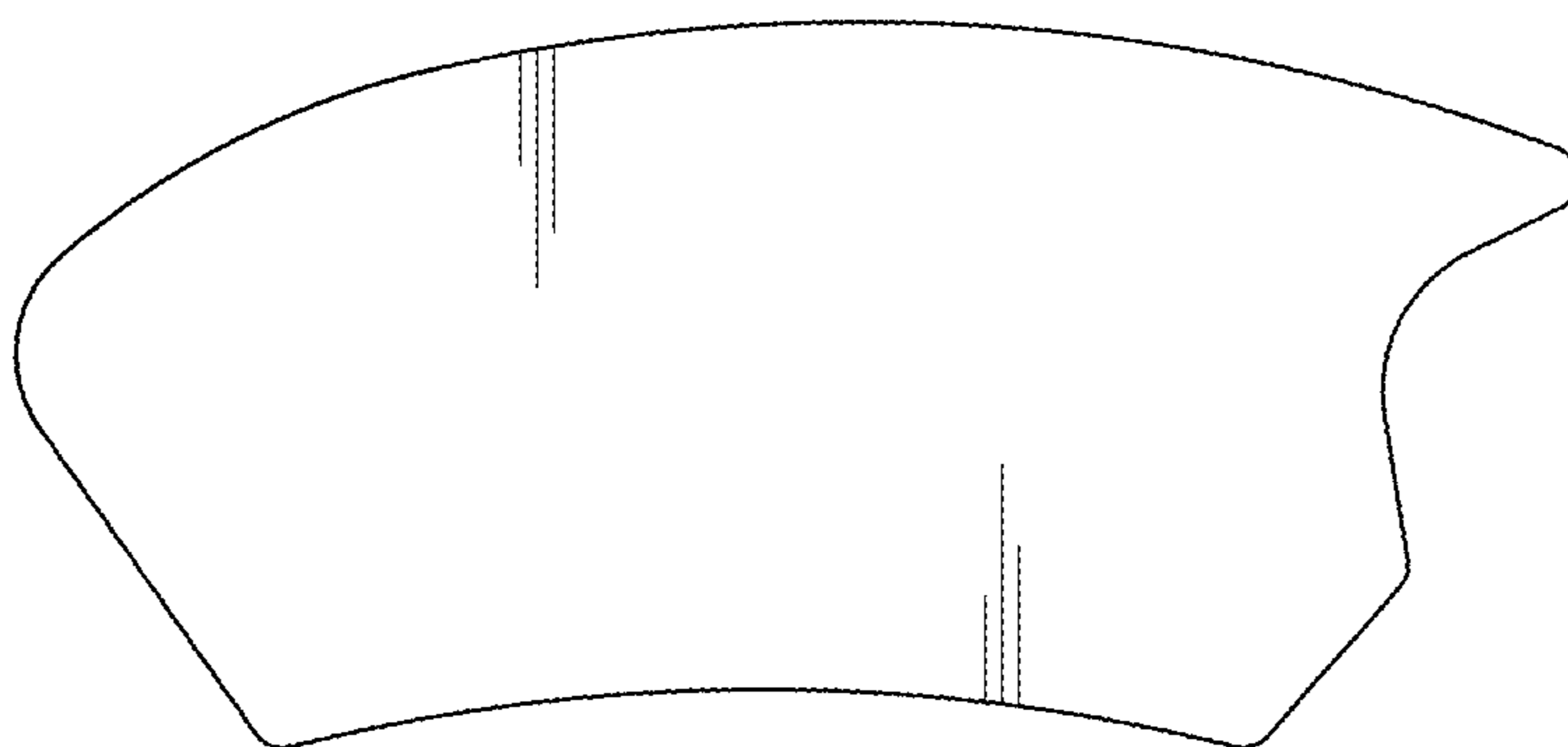


FIG. 2

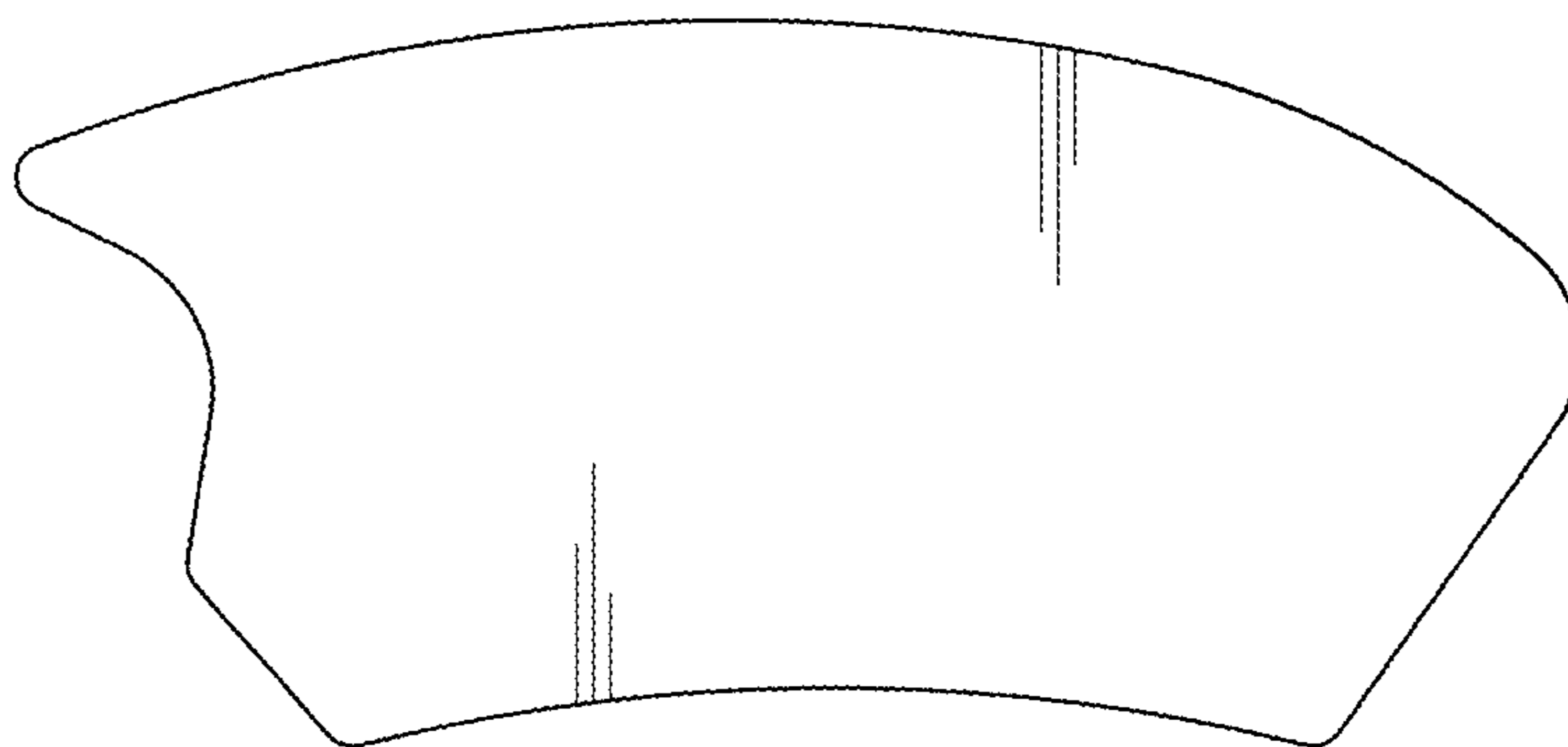


FIG. 3



FIG. 4

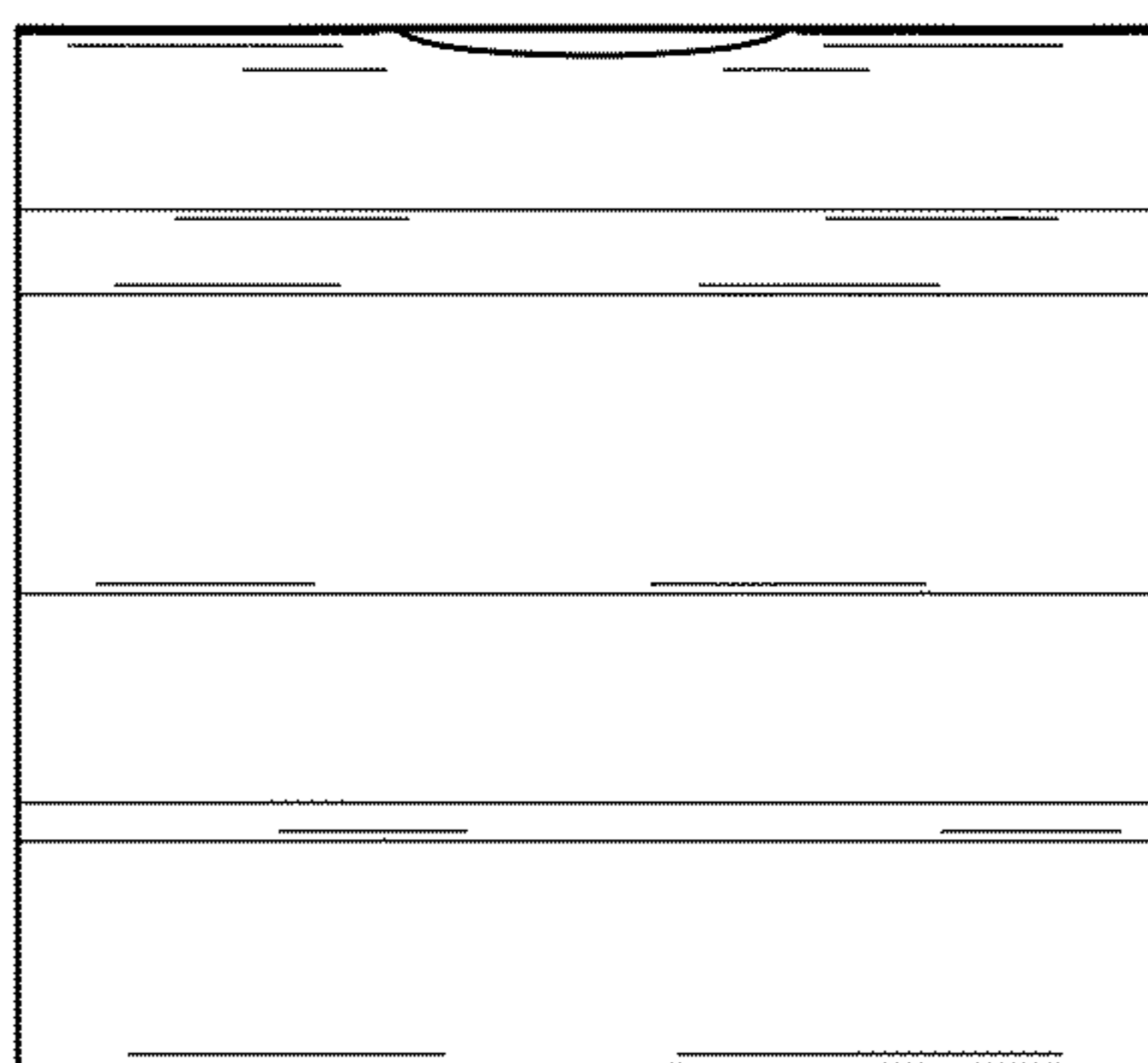


FIG. 5

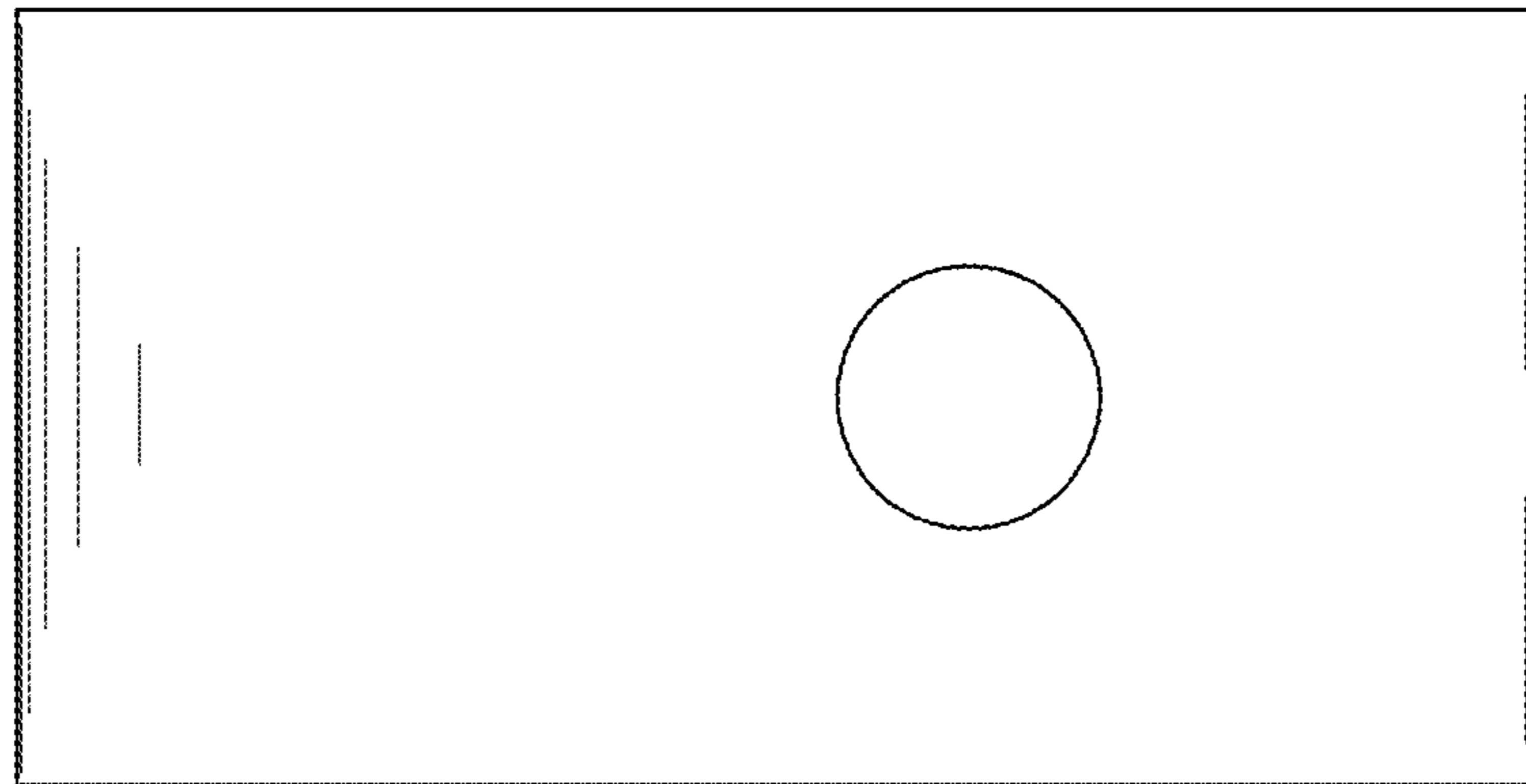


FIG. 6

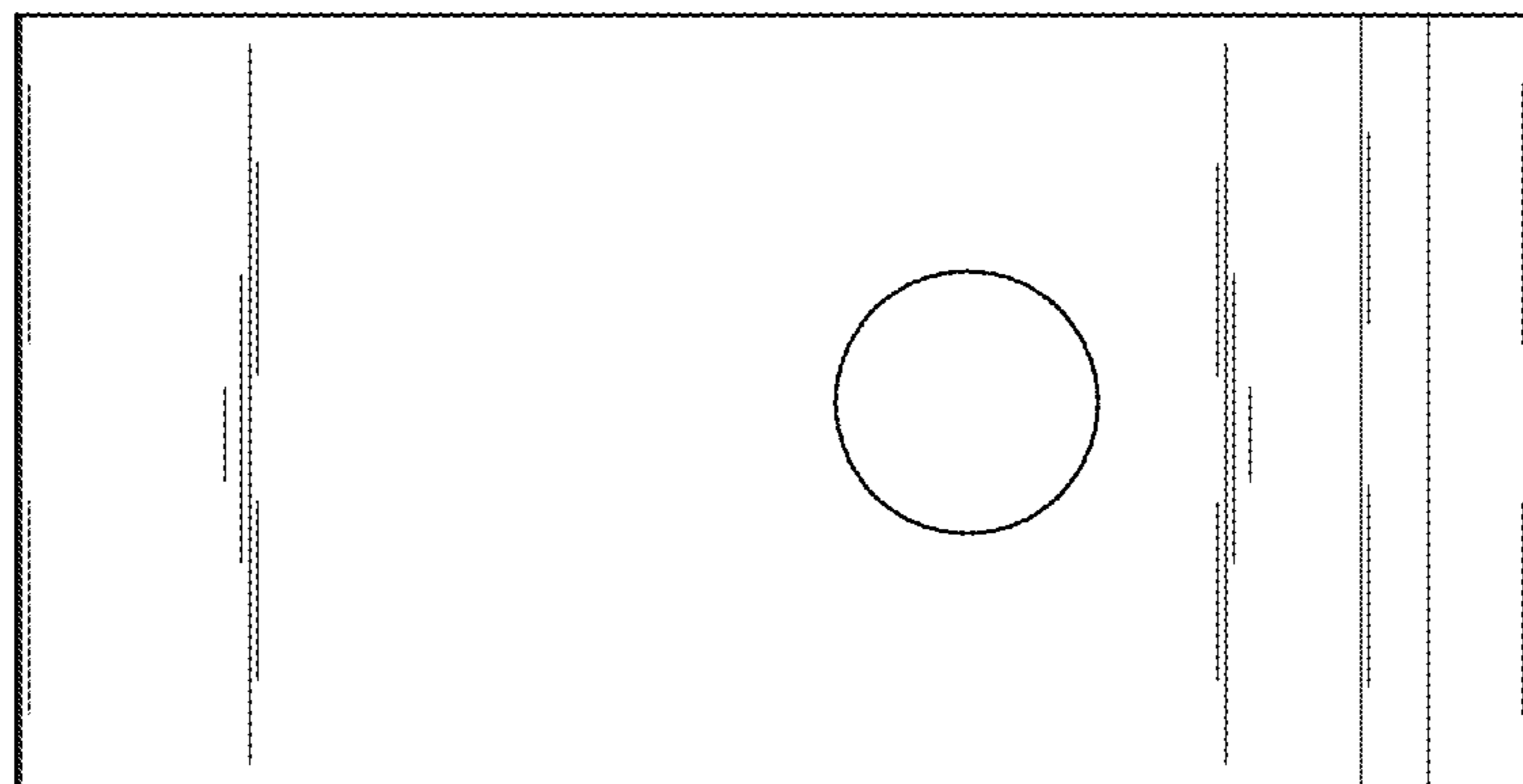


FIG. 7