



US00D685474S

(12) **United States Design Patent**
Courtney, Jr. et al.

(10) **Patent No.:** **US D685,474 S**
(45) **Date of Patent:** **** Jul. 2, 2013**

(54) **PROSTHESIS ANCHOR**

(75) Inventors: **Robert Courtney, Jr.**, Pierceton, IN (US); **Austin W. Mutchler**, Warsaw, IN (US); **Jeffrey M. Ondrla**, Warsaw, IN (US)

(73) Assignee: **Tornier, Inc.**, Bloomington, MN (US)

(**) Term: **14 Years**

(21) Appl. No.: **29/365,240**

(22) Filed: **Jul. 6, 2010**

(51) **LOC (9) Cl.** **24-02**

(52) **U.S. Cl.**
USPC **D24/155**

(58) **Field of Classification Search**
USPC D24/155, 156, 133, 152, 154, 135, D24/144-146, 151; 606/194, 198, 99, 100, 606/264, 266, 280, 319, 329; 623/23.54, 623/23.7, 1.15, 903, 19.11, 19.13, 19.14, 623/20.11, 20.2, 23.42, 23.46-23.48; 604/1.02, 604/103.02

See application file for complete search history.

(56) **References Cited**

U.S. PATENT DOCUMENTS

4,042,980	A *	8/1977	Swanson et al.	623/19.13
4,550,450	A *	11/1985	Kinnett	623/20.11
5,358,526	A *	10/1994	Tornier	623/19.14
6,146,423	A *	11/2000	Cohen et al.	623/20.2
6,379,917	B1	4/2002	Okun et al.	
6,783,549	B1	8/2004	Stone et al.	
7,465,319	B2 *	12/2008	Tornier	623/19.11
7,615,080	B2 *	11/2009	Ondrla	623/19.11
7,670,382	B2 *	3/2010	Parrott et al.	623/19.14
7,678,150	B2 *	3/2010	Tornier et al.	623/19.13
7,887,544	B2 *	2/2011	Tornier et al.	606/96

D643,926	S *	8/2011	Collins	D24/155
8,187,282	B2 *	5/2012	Tornier et al.	606/99
8,192,497	B2 *	6/2012	Ondrla	623/19.14
8,231,682	B2 *	7/2012	Lafosse et al.	623/19.11
8,246,687	B2 *	8/2012	Katrana et al.	623/19.13
2003/0028253	A1 *	2/2003	Stone et al.	623/19.14
2004/0193277	A1	9/2004	Long et al.	
2004/0193278	A1	9/2004	Maroney et al.	
2005/0107882	A1	5/2005	Stone et al.	
2006/0009852	A1	1/2006	Winslow et al.	

FOREIGN PATENT DOCUMENTS

DE	42 20 217	A1	12/1993
DE	102 33 204	A1	1/2004
DE	10 2004 042 502	A1	3/2006
WO	0167988	A2	9/2001

* cited by examiner

Primary Examiner — Ian Simmons

Assistant Examiner — Charles Hanson

(74) *Attorney, Agent, or Firm* — Faegre Baker Daniels LLP

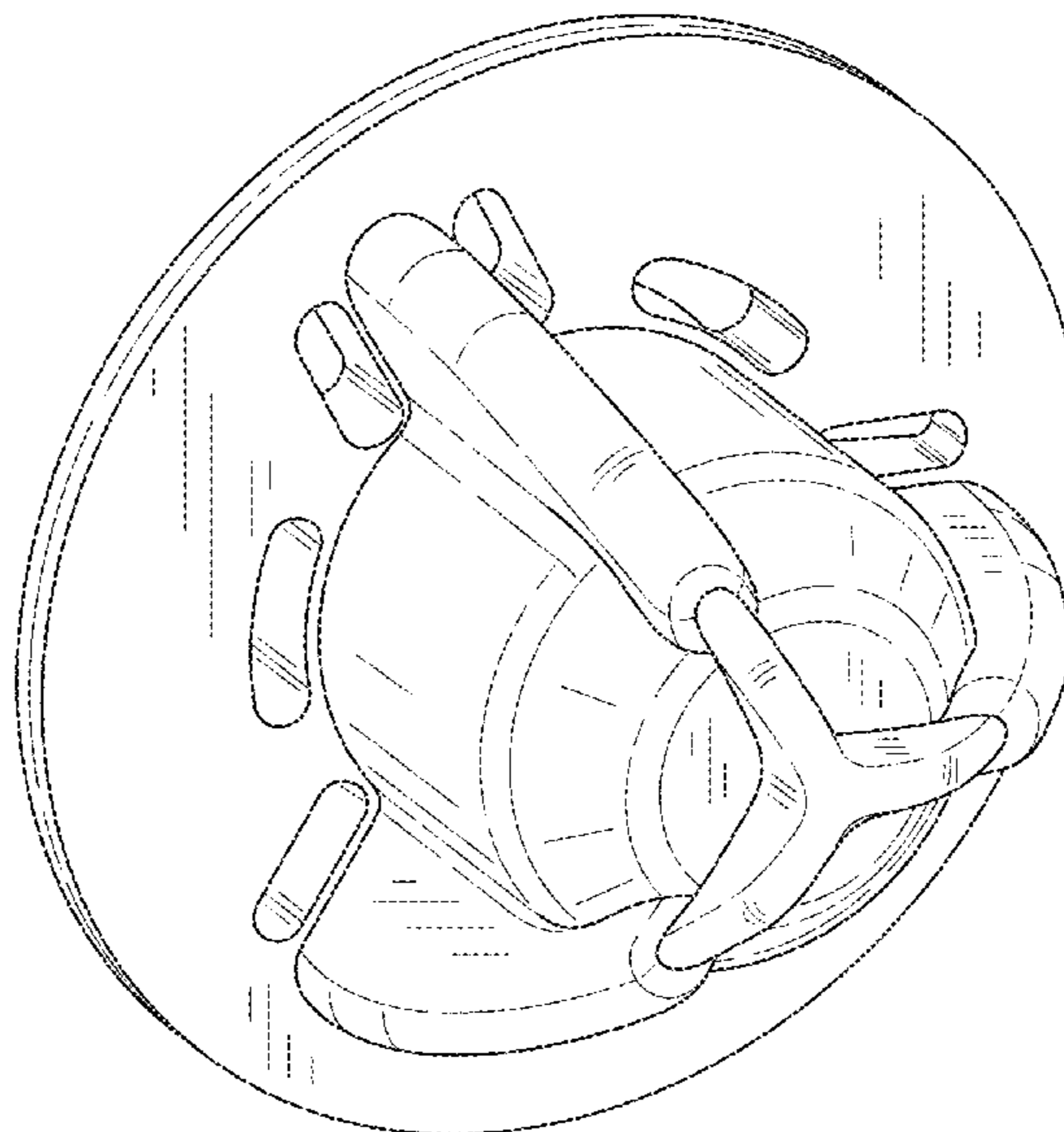
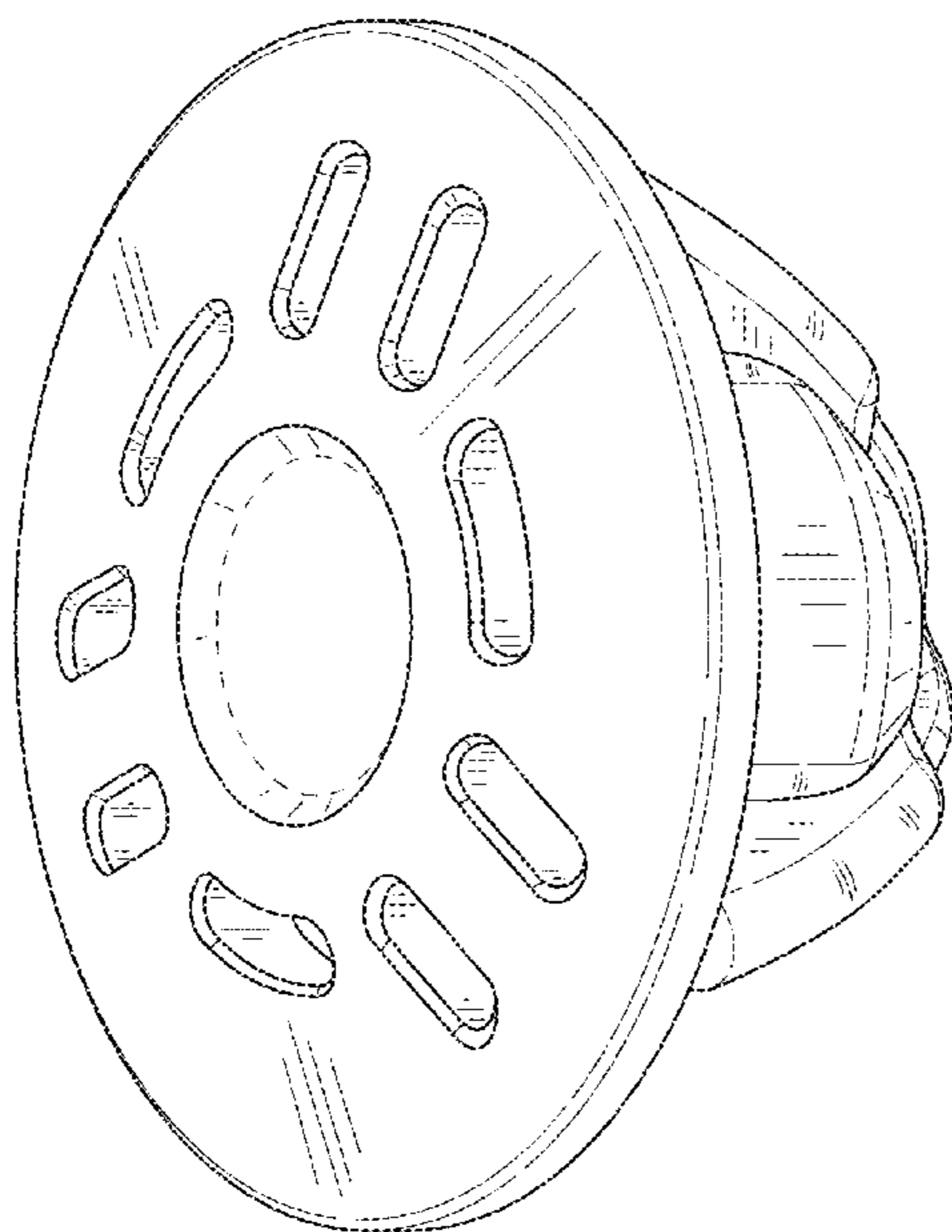
(57) **CLAIM**

The ornamental design for prosthesis anchor, as shown and described.

DESCRIPTION

FIG. 1 is a top perspective view;
FIG. 2 is a bottom perspective view;
FIG. 3 is a front view;
FIG. 4 is a back view;
FIG. 5 is a left side view;
FIG. 6 is a right side view;
FIG. 7 is a top view; and,
FIG. 8 is a bottom view.
The broken line showing is included for the purpose of illustrating environment and forms no part of the claimed design.

1 Claim, 8 Drawing Sheets



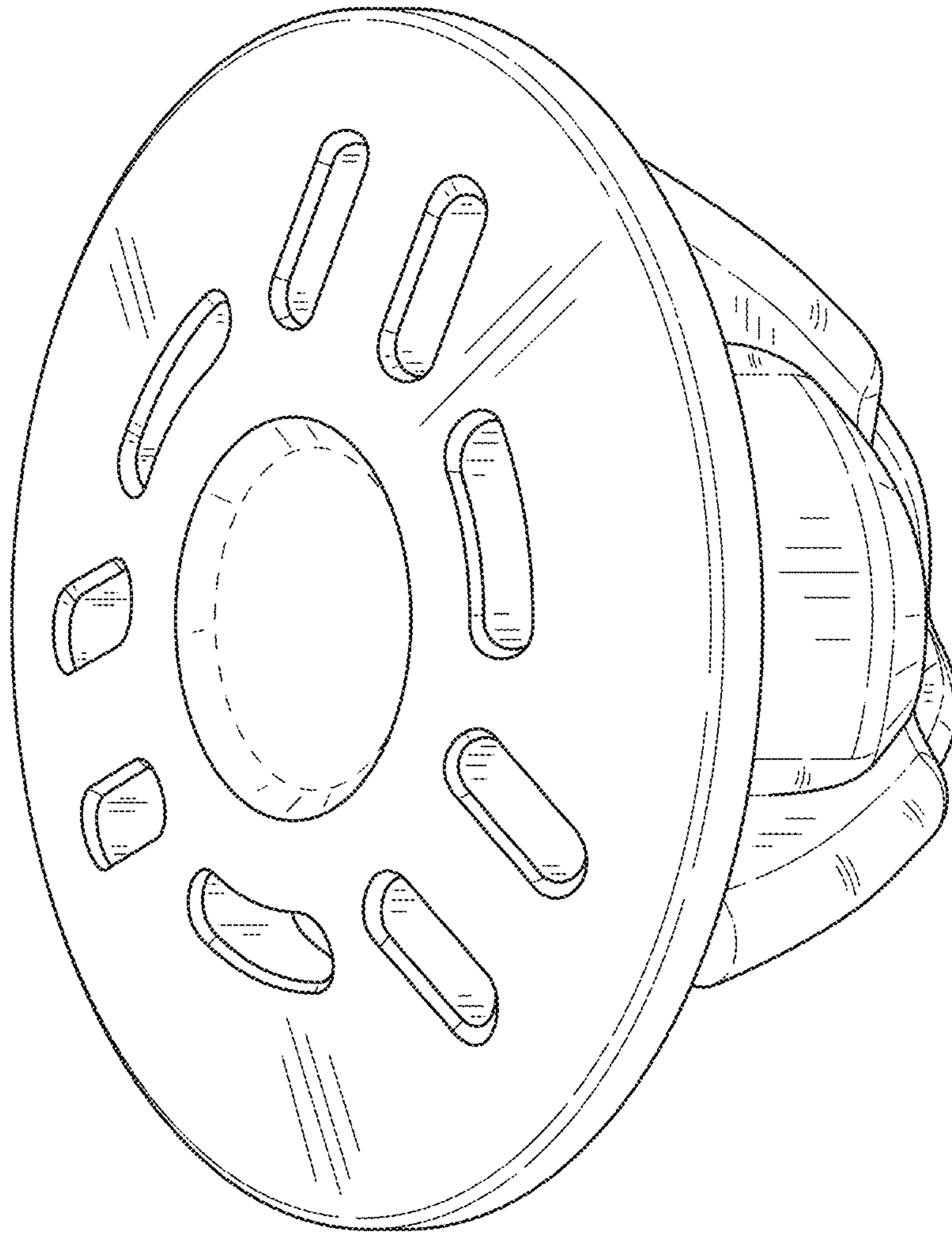


FIG.1

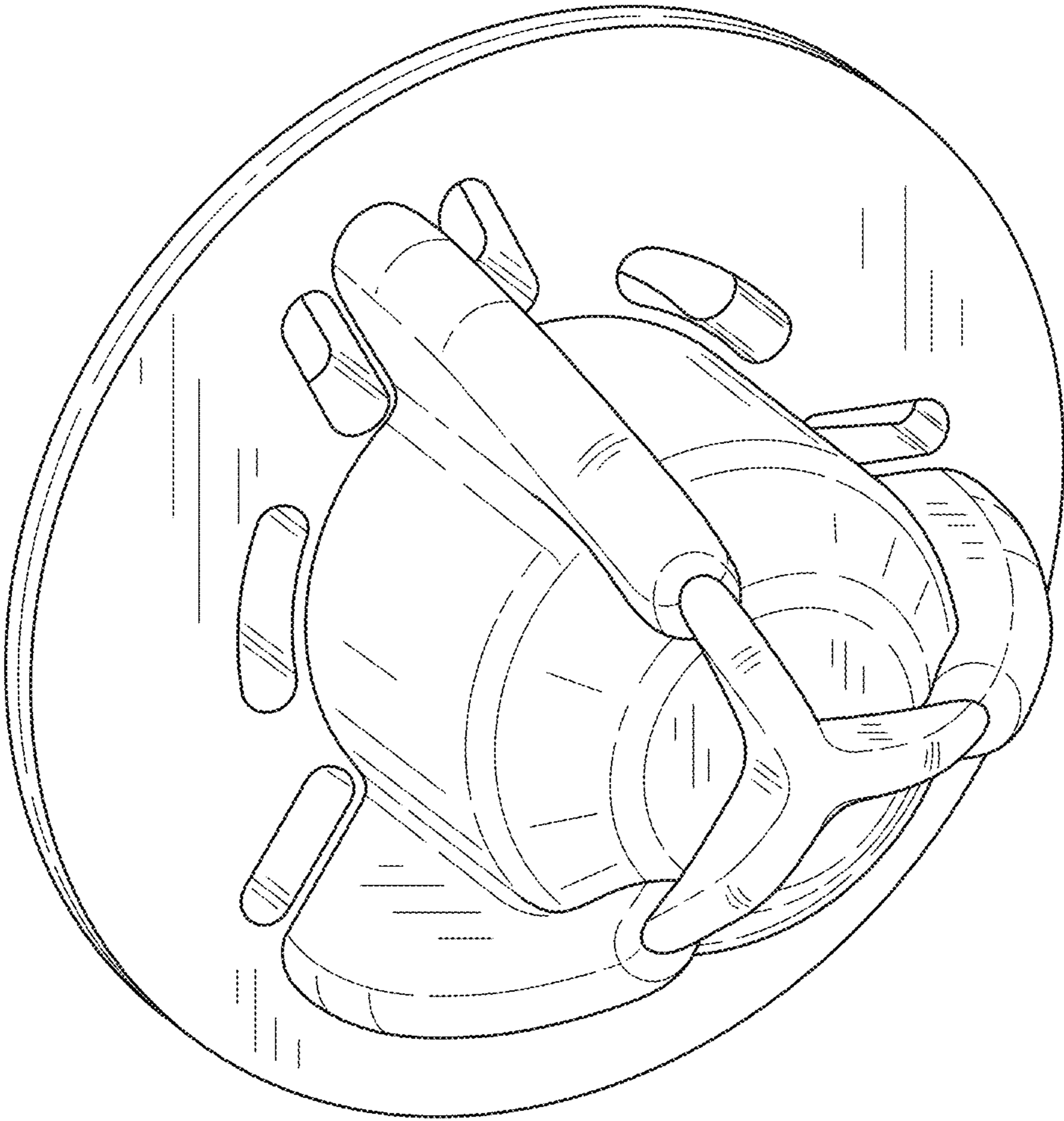


FIG.2

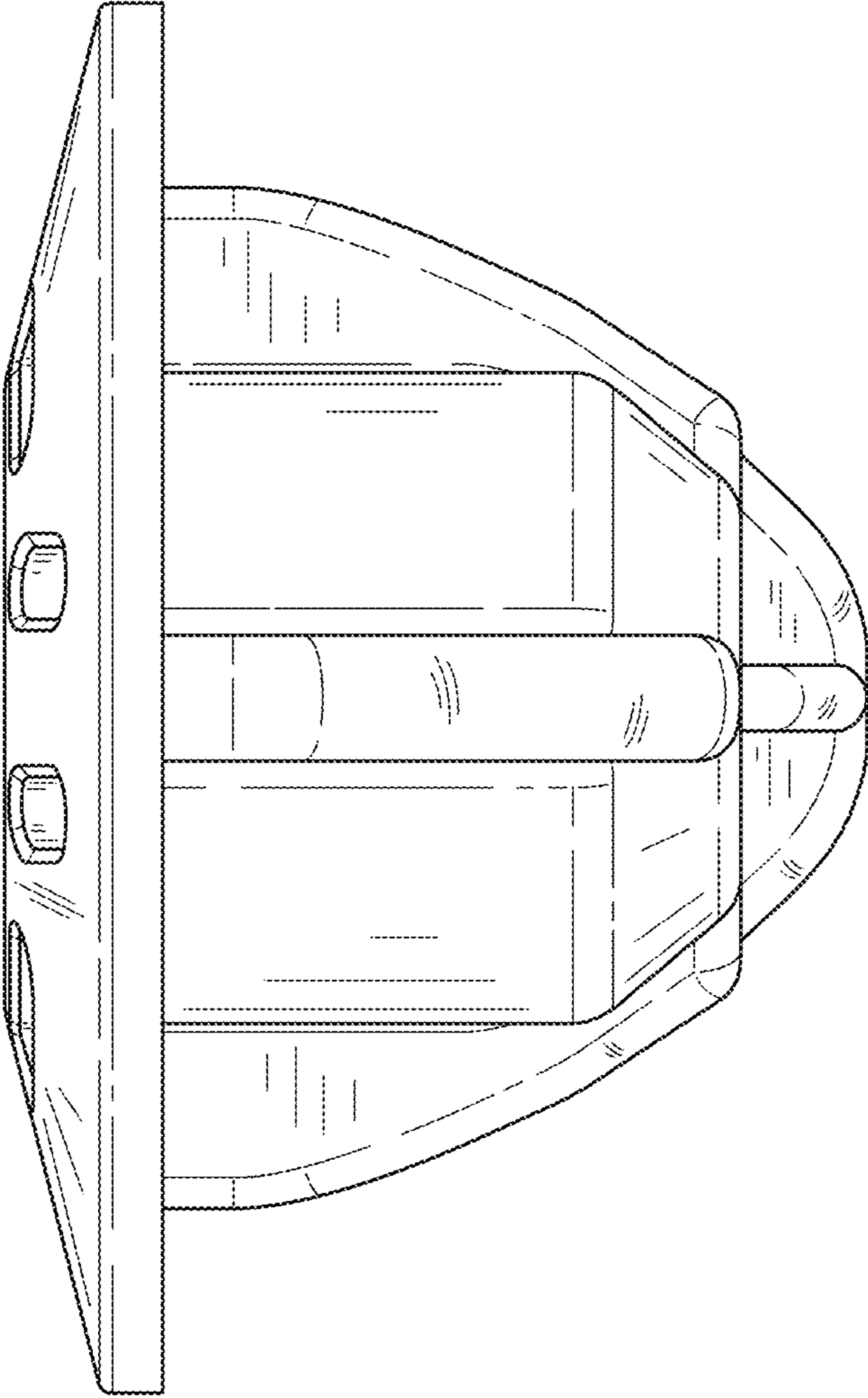


FIG.3

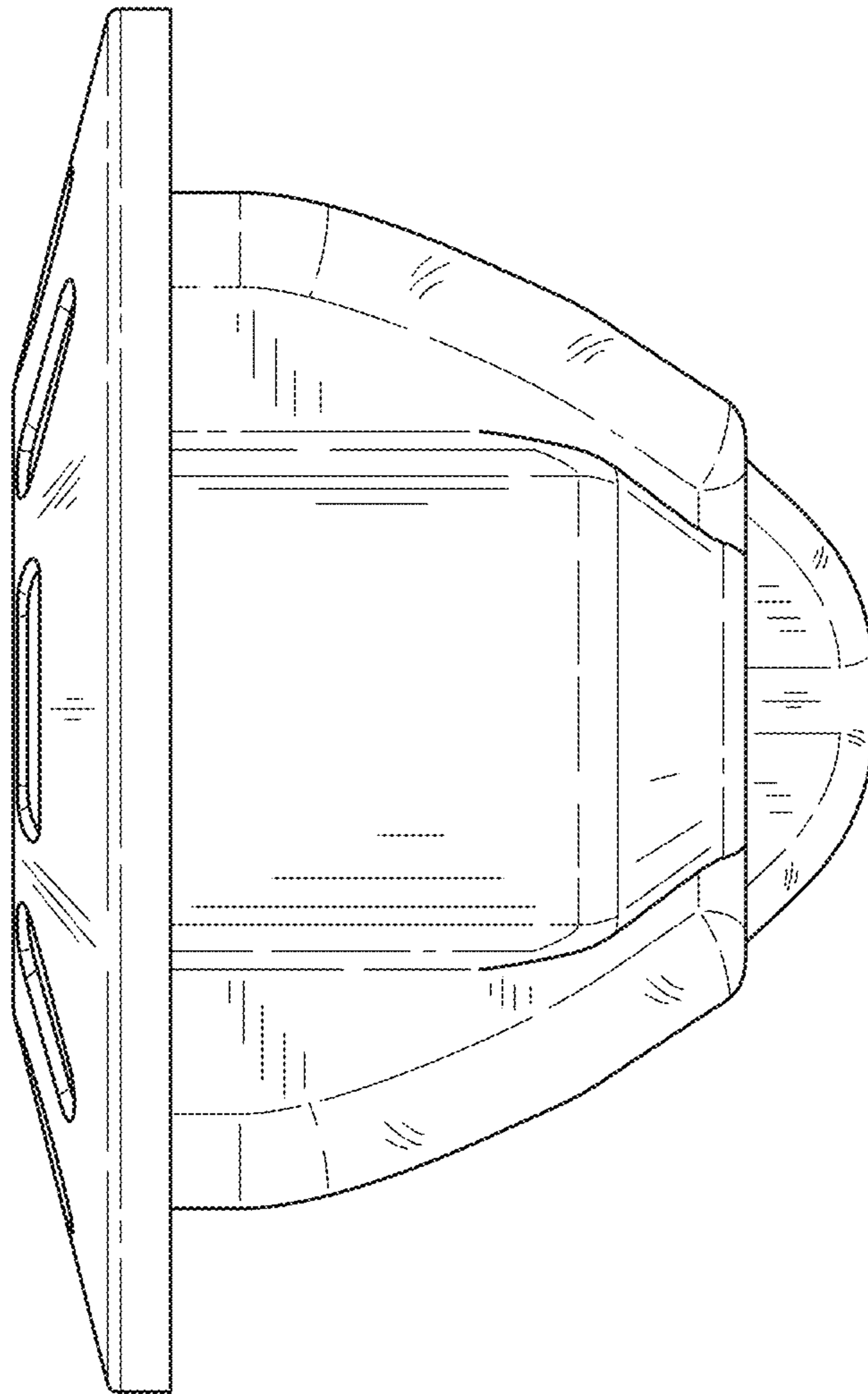


FIG.4

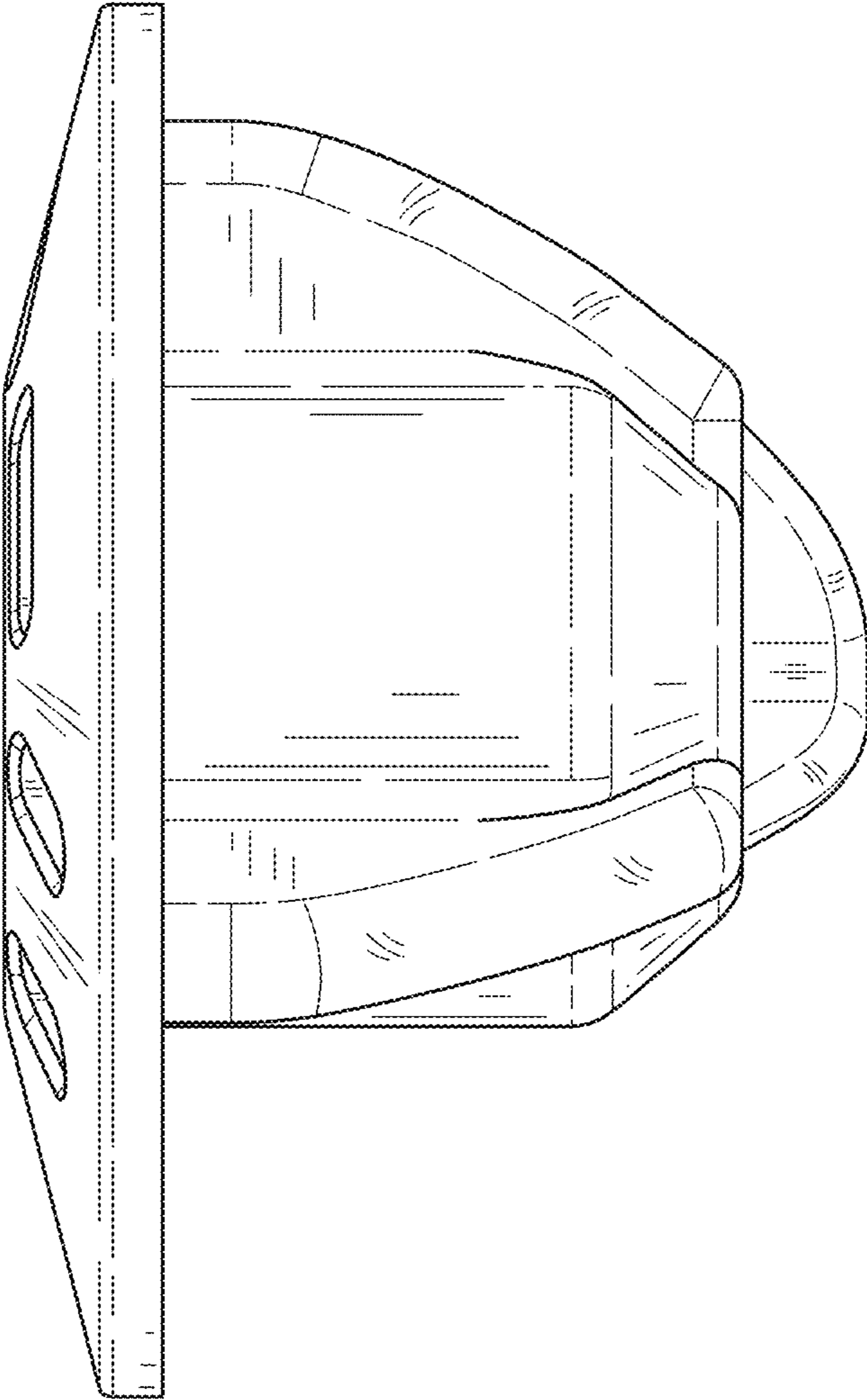


FIG.5

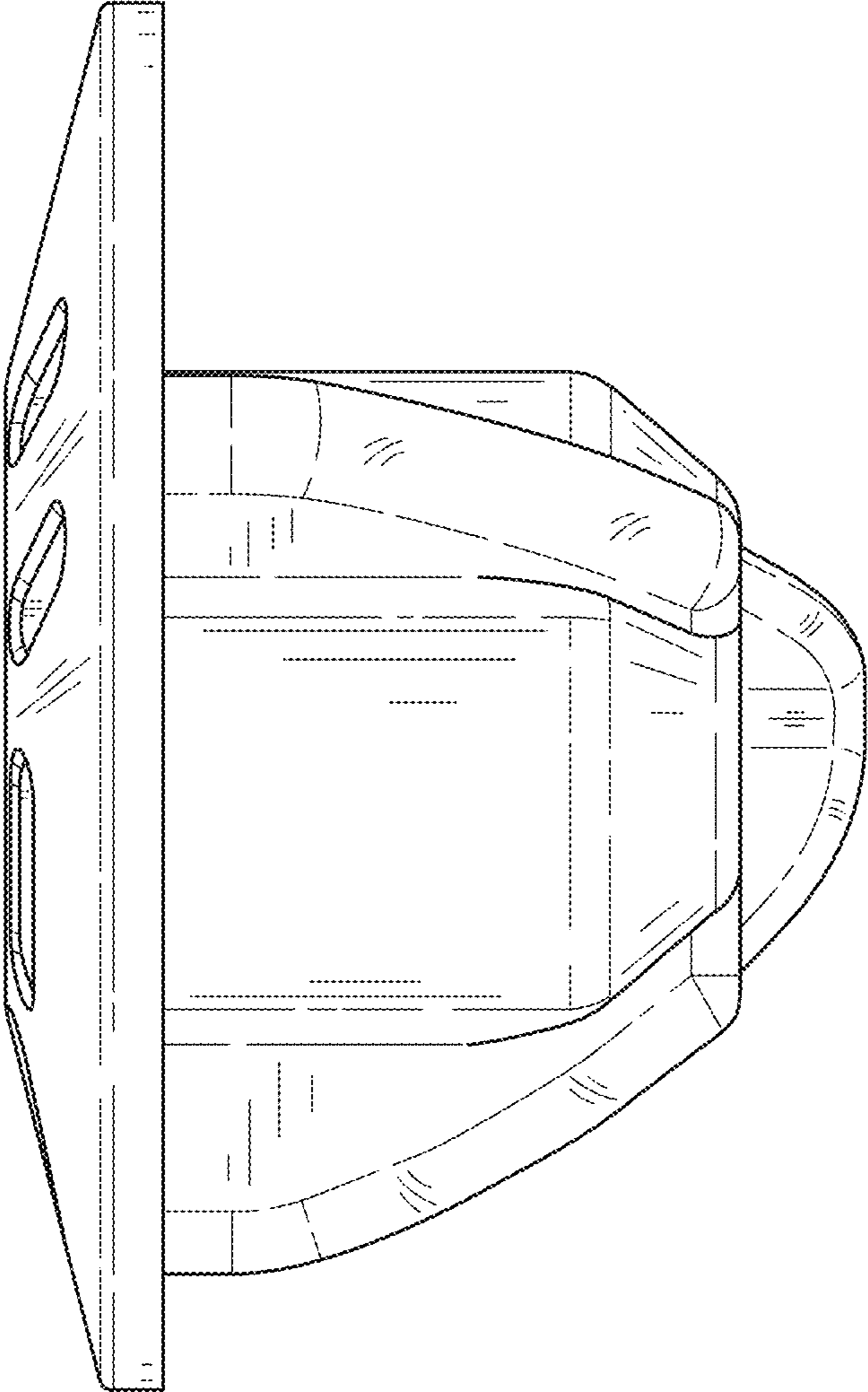


FIG.6

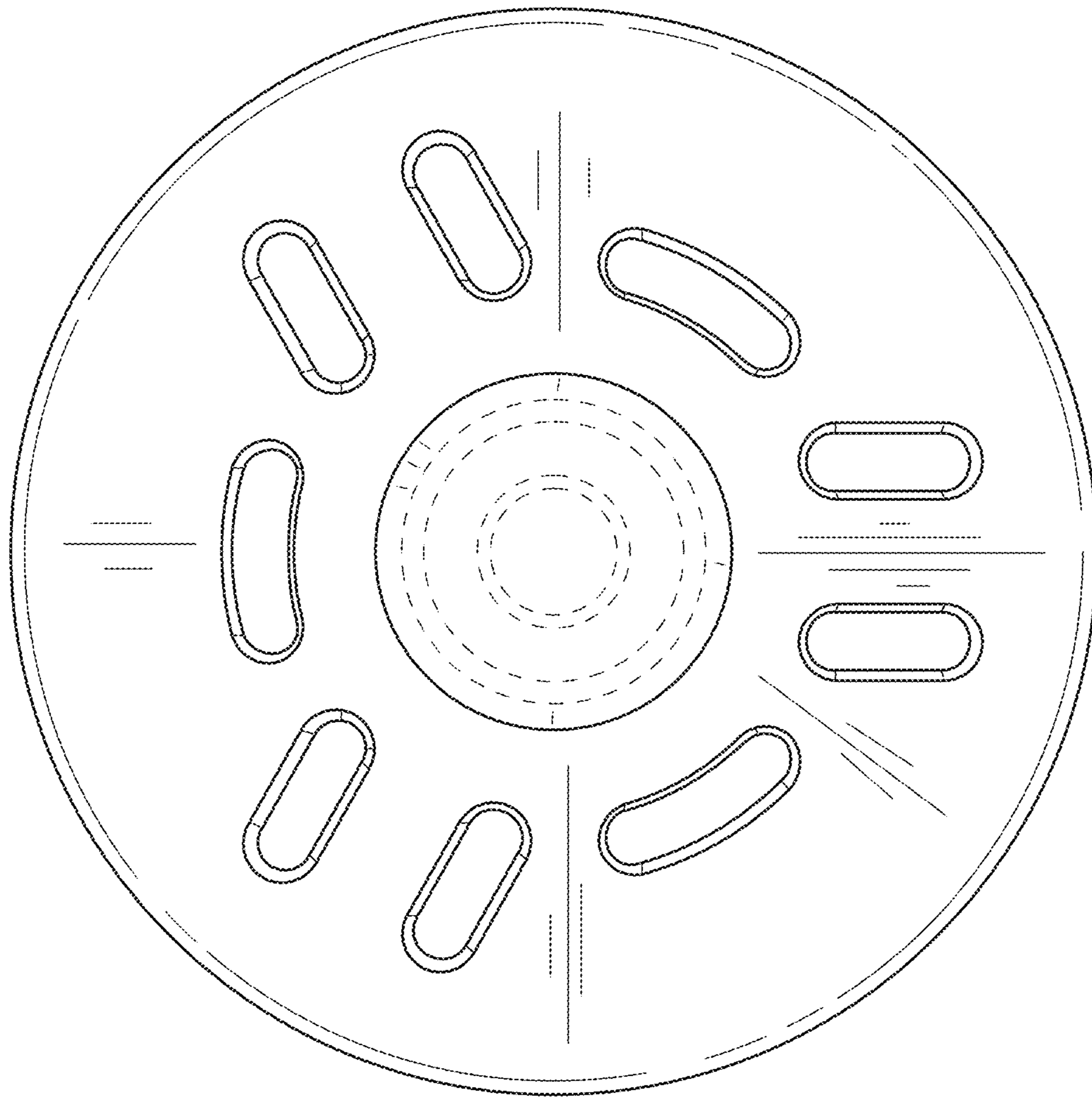


FIG. 7

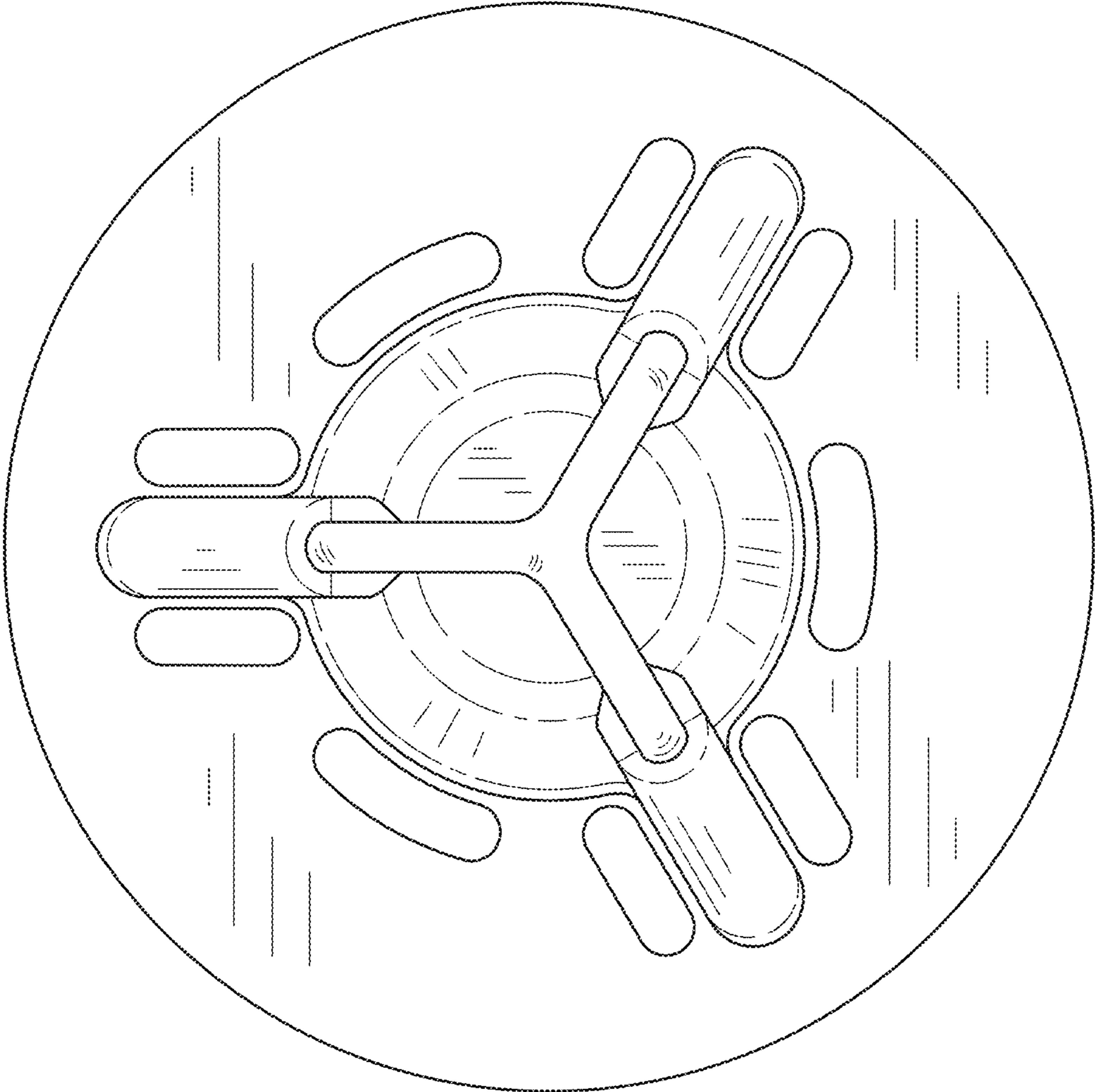


FIG.8