



US00D685472S

(12) **United States Design Patent**  
**Hunt et al.**

(10) **Patent No.:** **US D685,472 S**  
(45) **Date of Patent:** **\*\* Jul. 2, 2013**

(54) **CIRCULAR STAPLER**

(75) Inventors: **John V. Hunt**, Cincinnati, OH (US);  
**Cory G. Kimball**, Cincinnati, OH (US)

(73) Assignee: **Ethicon Endo-Surgery, Inc.**, Cincinnati, OH (US)

(\*\*) Term: **14 Years**

(21) Appl. No.: **29/398,667**

(22) Filed: **Sep. 26, 2011**

(51) **LOC (9) Cl.** ..... **24-02**

(52) **U.S. Cl.**  
USPC ..... **D24/145**

(58) **Field of Classification Search**

USPC ..... D24/145-146; 606/142-144, 148,  
606/219; 227/175.1, 175.2, 176.1, 180.1,  
227/179.1, 181.1, 182.1, 19, 901, 902  
See application file for complete search history.

(56) **References Cited**

U.S. PATENT DOCUMENTS

D271,994 S \* 12/1983 Noiles et al. .... D24/145  
D357,535 S \* 4/1995 Grant et al. .... D24/145

(Continued)

OTHER PUBLICATIONS

Disposable Circular Stapler. Haiers Surgical Staplers, copyright 2008 [retrieved on May 21, 2012]. Retrieved from the Internet: <URL: <http://www.haiersmedical.com/circular-stapler.htm>>.\*

(Continued)

*Primary Examiner* — Wan Laymon

(57) **CLAIM**

The ornamental design for a circular stapler, as shown and described.

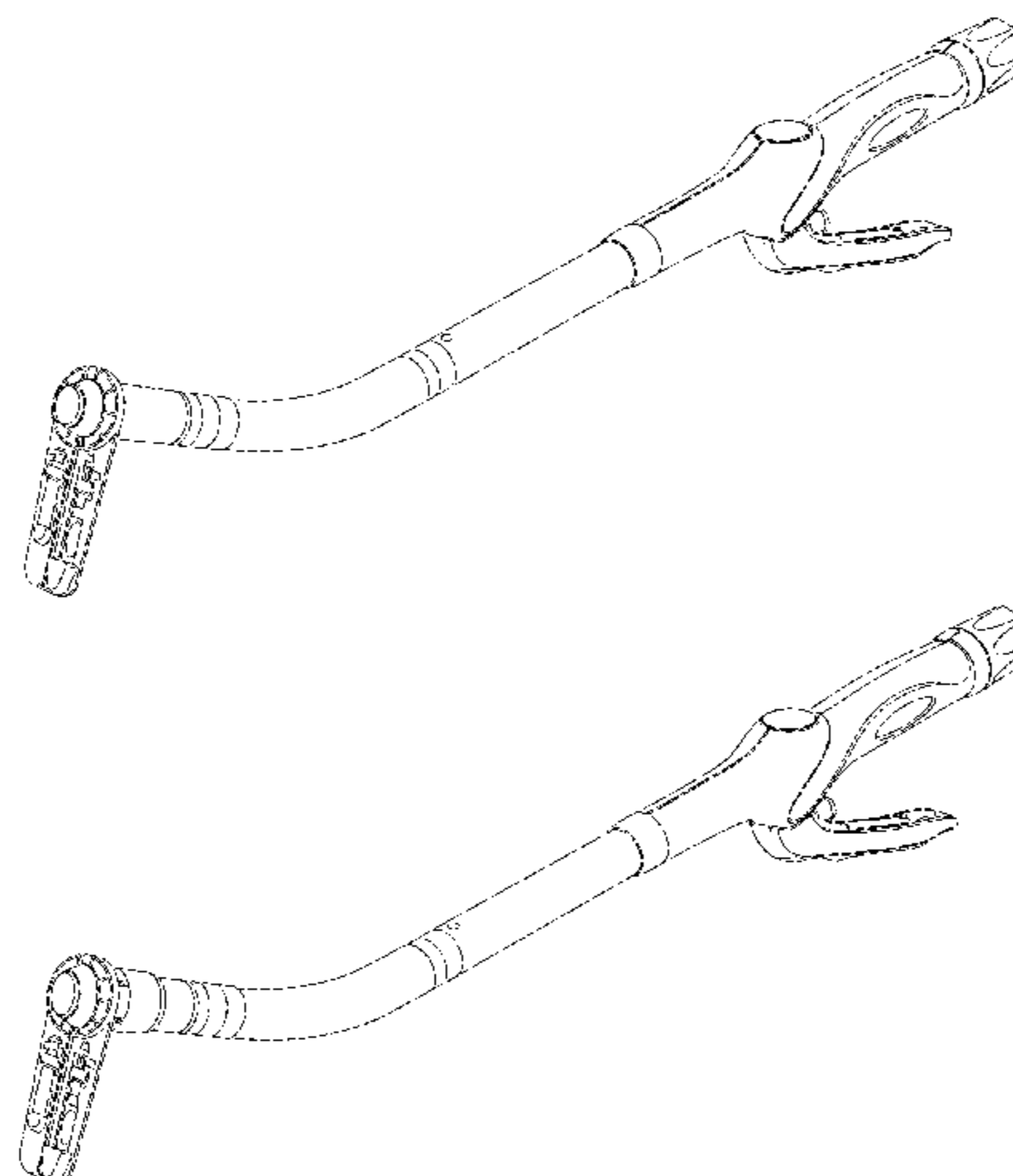
**DESCRIPTION**

FIG. 1 is perspective view of the circular stapler  
FIG. 2 is a top plan view of the circular stapler  
FIG. 3 is a right side view of the circular stapler

FIG. 4 is a bottom plan view of the circular stapler  
FIG. 5 is a left side view of the circular stapler  
FIG. 6 is a front end view of the circular stapler  
FIG. 7 is a rear end view of the circular stapler  
FIG. 8 is perspective view of the circular stapler with the tray removed  
FIG. 9 is perspective view of a second embodiment of the circular stapler  
FIG. 10 is a top plan view of the circular stapler  
FIG. 11 is a right side view of the circular stapler  
FIG. 12 is a bottom plan view of the circular stapler  
FIG. 13 is a left side view of the circular stapler  
FIG. 14 is a front end view of the circular stapler  
FIG. 15 is a rear end view of the circular stapler  
FIG. 16 is perspective view of the circular stapler with the tray removed  
FIG. 17 is perspective view of a third embodiment of the circular stapler  
FIG. 18 is a top plan view of the circular stapler  
FIG. 19 is a right side view of the circular stapler  
FIG. 20 is a bottom plan view of the circular stapler  
FIG. 21 is a left side view of the circular stapler  
FIG. 22 is a front end view of the circular stapler  
FIG. 23 is a rear end view of the circular stapler  
FIG. 24 is perspective view of the circular stapler with the tray removed  
FIG. 25 is perspective view of a fourth embodiment of the circular stapler  
FIG. 26 is a top plan view of the circular stapler  
FIG. 27 is a right side view of the circular stapler  
FIG. 28 is a bottom plan view of the circular stapler  
FIG. 29 is a left side view of the circular stapler  
FIG. 30 is a front end view of the circular stapler  
FIG. 31 is a rear end view of the circular stapler; and,  
FIG. 32 is perspective view of a circular stapler with the tray removed.

The broken lines shown in the figures represent portions of the circular stapler that form no part of the claimed design.

**1 Claim, 20 Drawing Sheets**



# US D685,472 S

Page 2

## U.S. PATENT DOCUMENTS

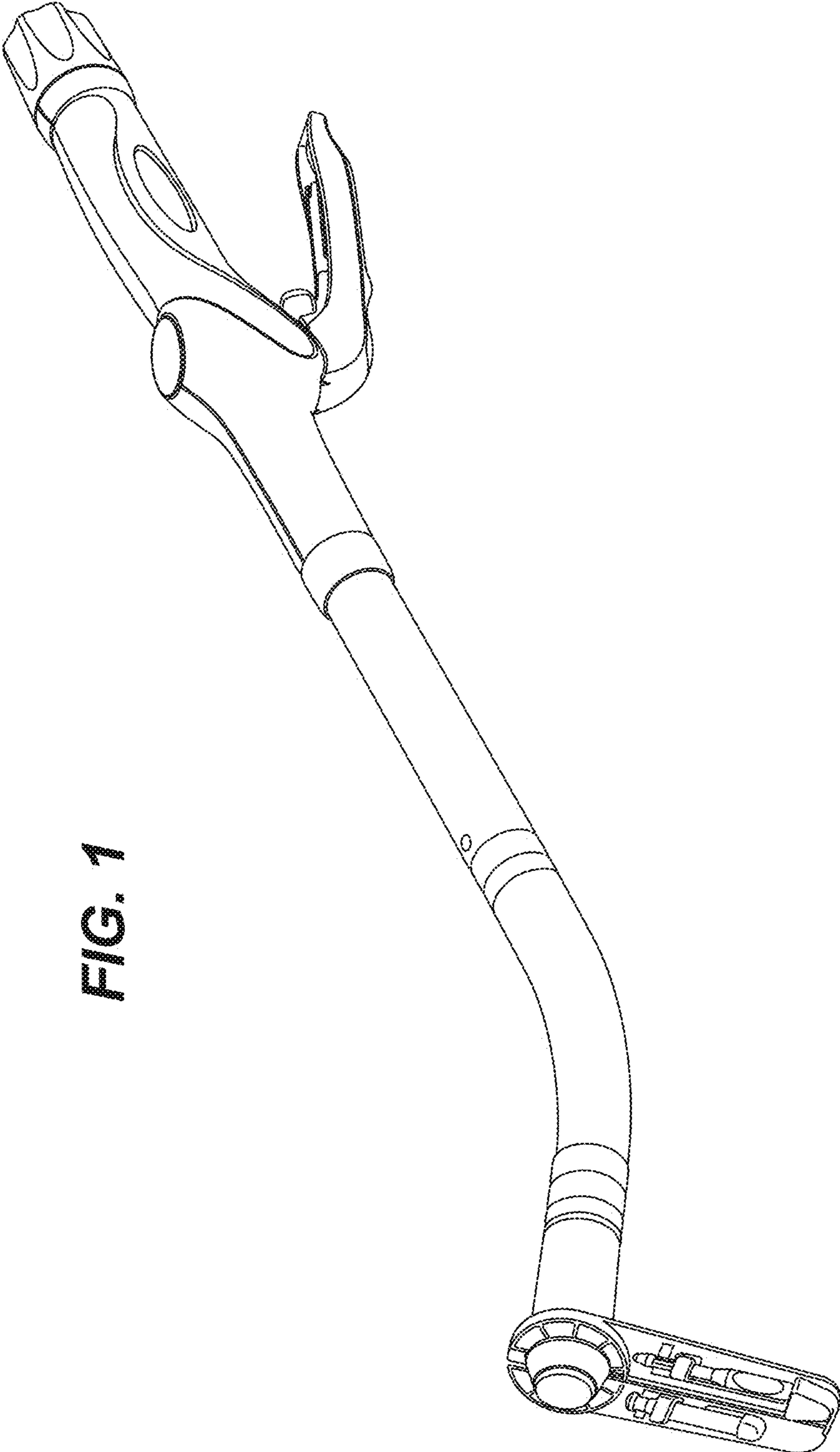
6,050,472 A \* 4/2000 Shibata ..... 227/175.2  
7,364,060 B2 \* 4/2008 Milliman ..... 227/175.1  
7,401,722 B2 \* 7/2008 Hur ..... 227/179.1  
7,506,791 B2 \* 3/2009 Omaitis et al. .... 227/175.1  
7,708,180 B2 \* 5/2010 Murray et al. .... 227/175.1  
7,837,080 B2 \* 11/2010 Schwemberger ..... 227/176.1  
7,886,951 B2 \* 2/2011 Hessler ..... 227/175.1  
7,900,806 B2 \* 3/2011 Chen et al. .... 227/175.1  
7,918,377 B2 \* 4/2011 Measamer et al. .... 227/180.1  
2010/0084453 A1 \* 4/2010 Hu ..... 227/179.1  
2011/0114697 A1 \* 5/2011 Baxter et al. .... 227/175.1  
2011/0114698 A1 \* 5/2011 Baxter et al. .... 227/175.1

2011/0114699 A1 \* 5/2011 Baxter et al. .... 227/175.1  
2011/0114700 A1 \* 5/2011 Baxter et al. .... 227/179.1  
2011/0118761 A1 \* 5/2011 Baxter et al. .... 606/148  
2012/0029547 A1 \* 2/2012 Shelton et al. .... 227/179.1

## OTHER PUBLICATIONS

Disposable Circular Stapler (QYW). E-Store China Wholesale Center, copyright 2012 [retrieved on May 21, 2012]. Retrieved from the Internet: <URL: <http://www.p-wholesale.com/cn-pro/10/460to1/disposable-circular-stapler-qyw-438762.html>>.\*

\* cited by examiner



**FIG. 1**

FIG. 2

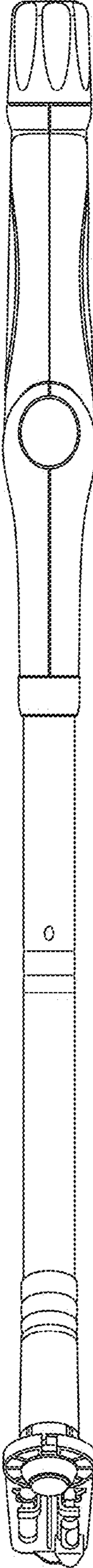


FIG. 3

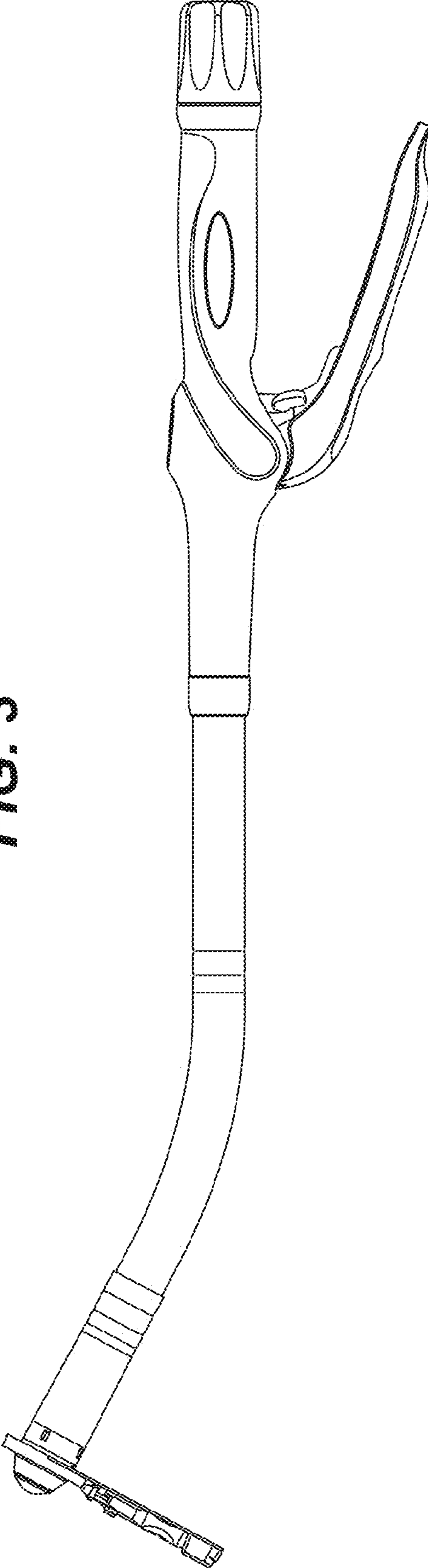


FIG. 4

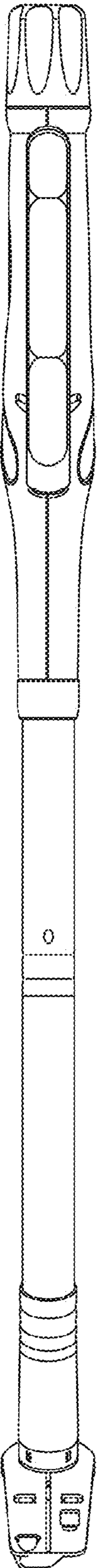
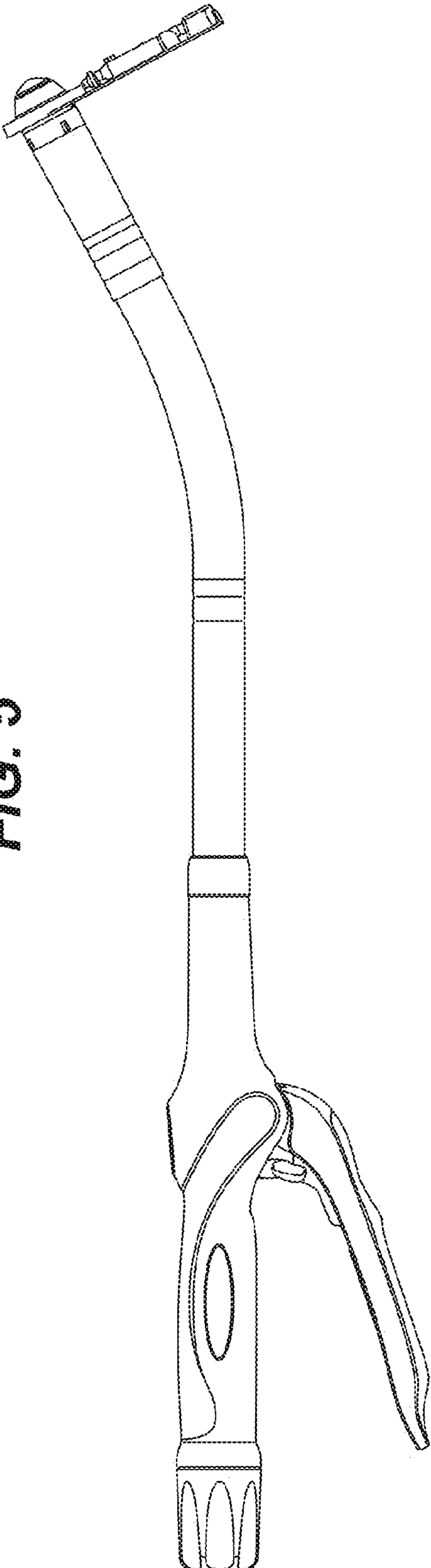
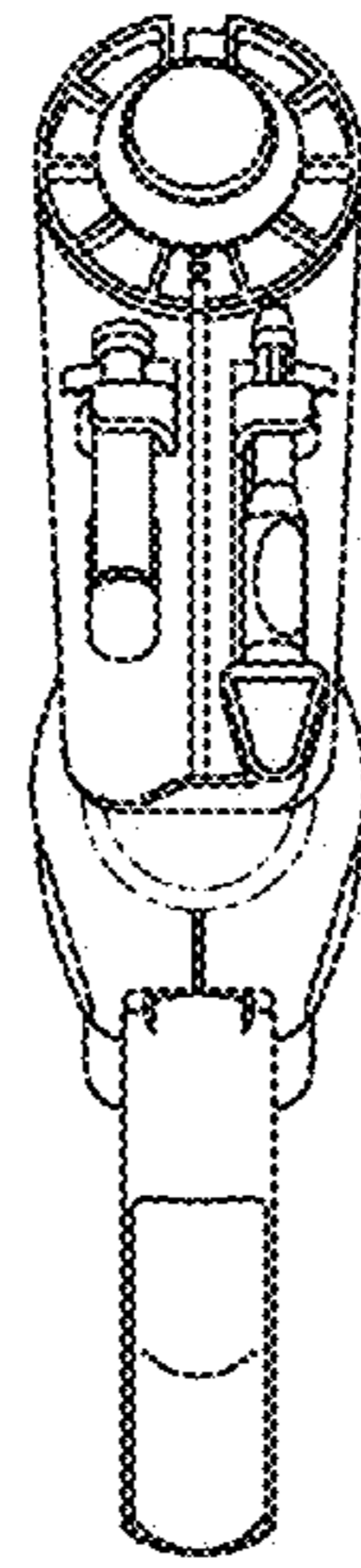


FIG. 5

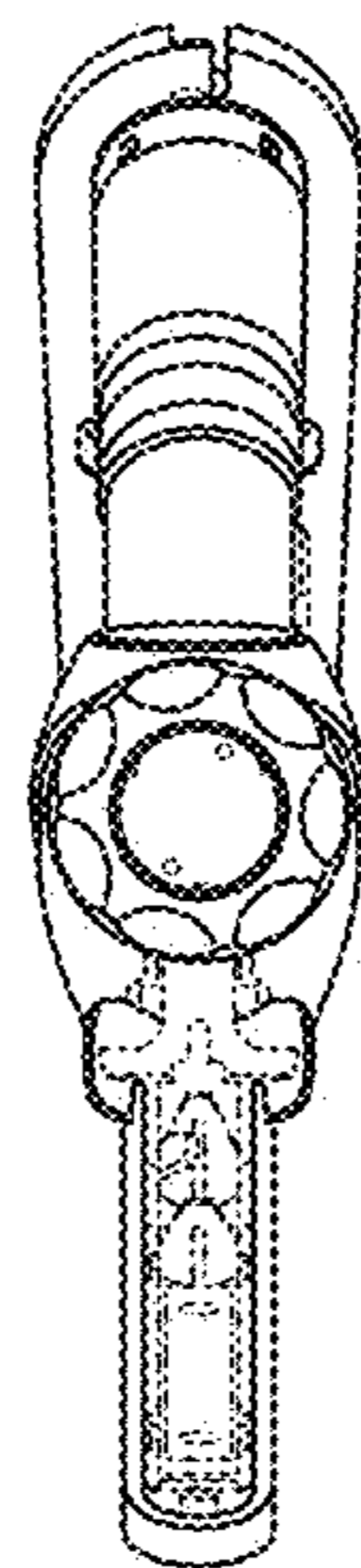


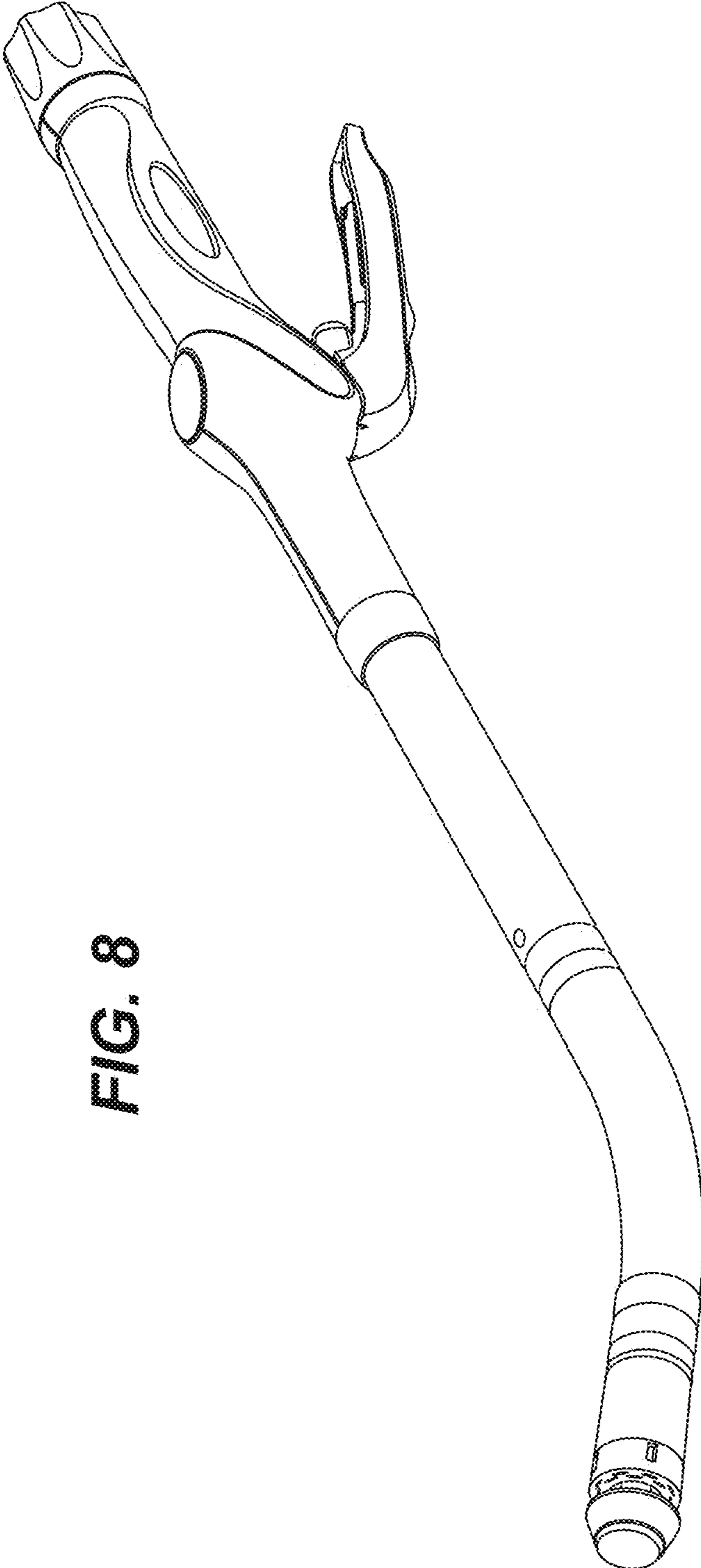


**FIG. 6**



**FIG. 7**





**FIG. 8**

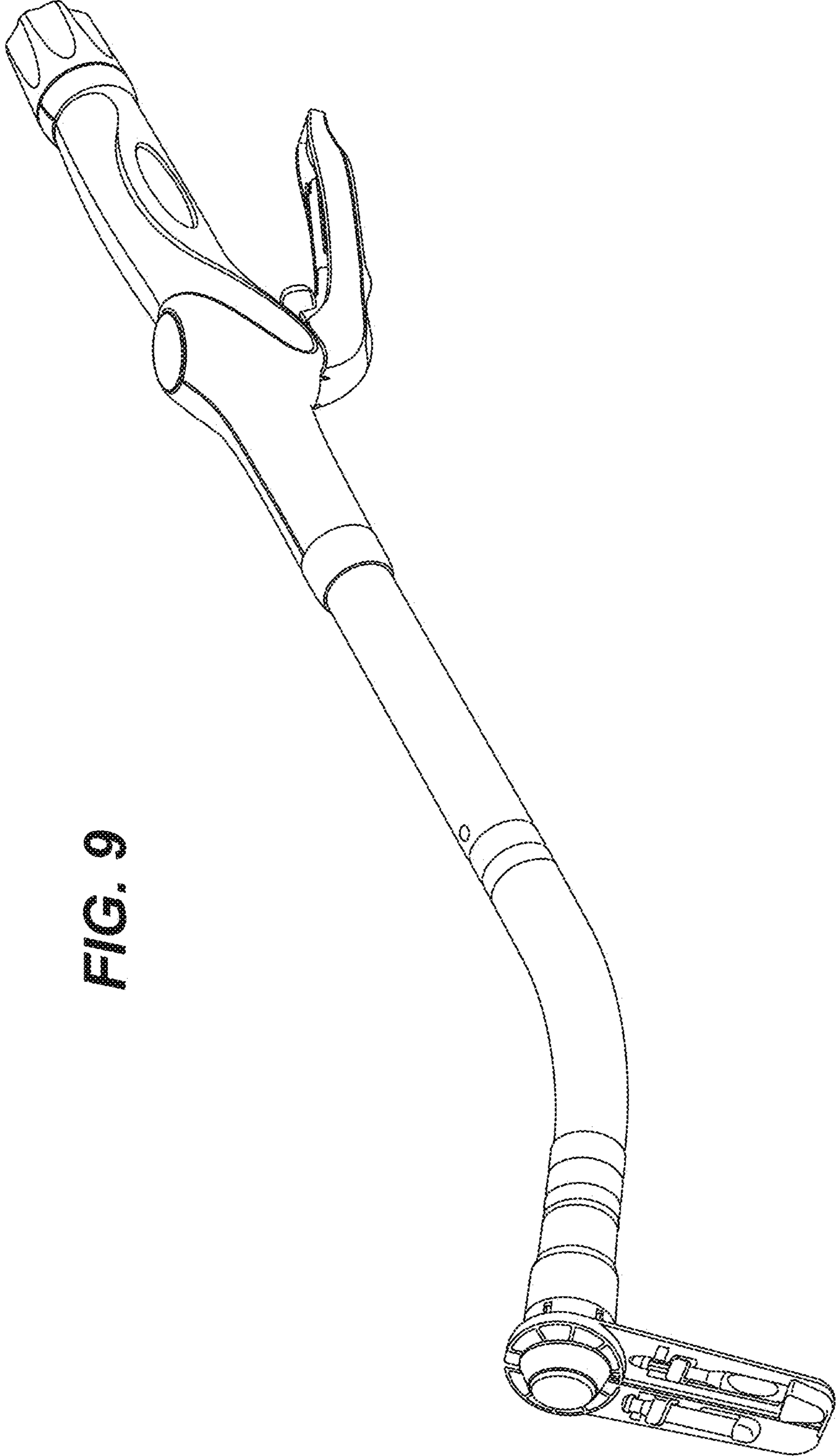


FIG. 9



FIG. 10

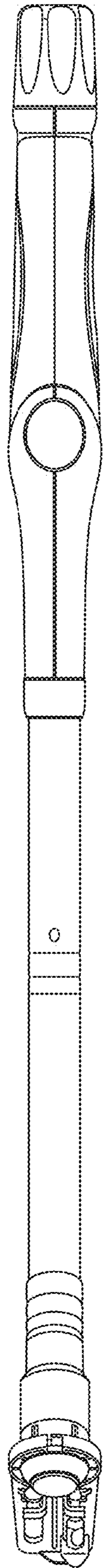
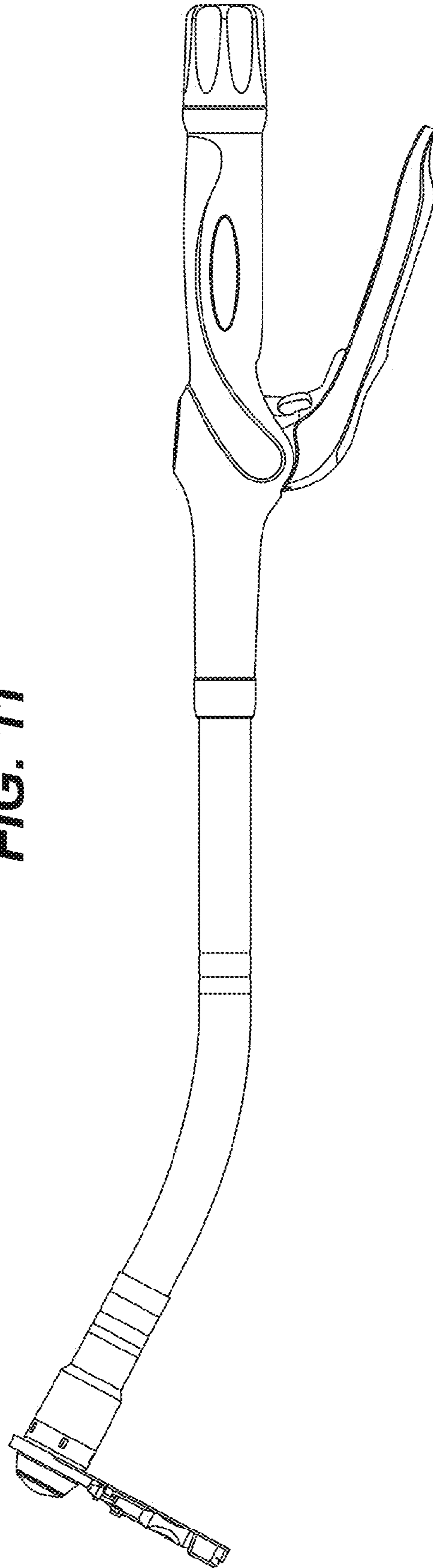
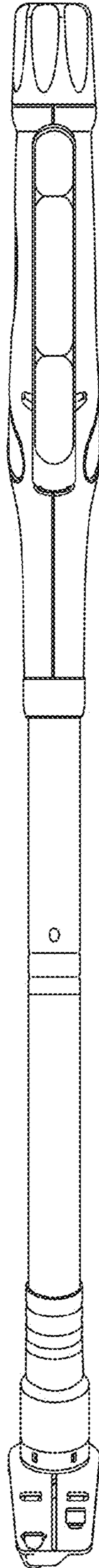


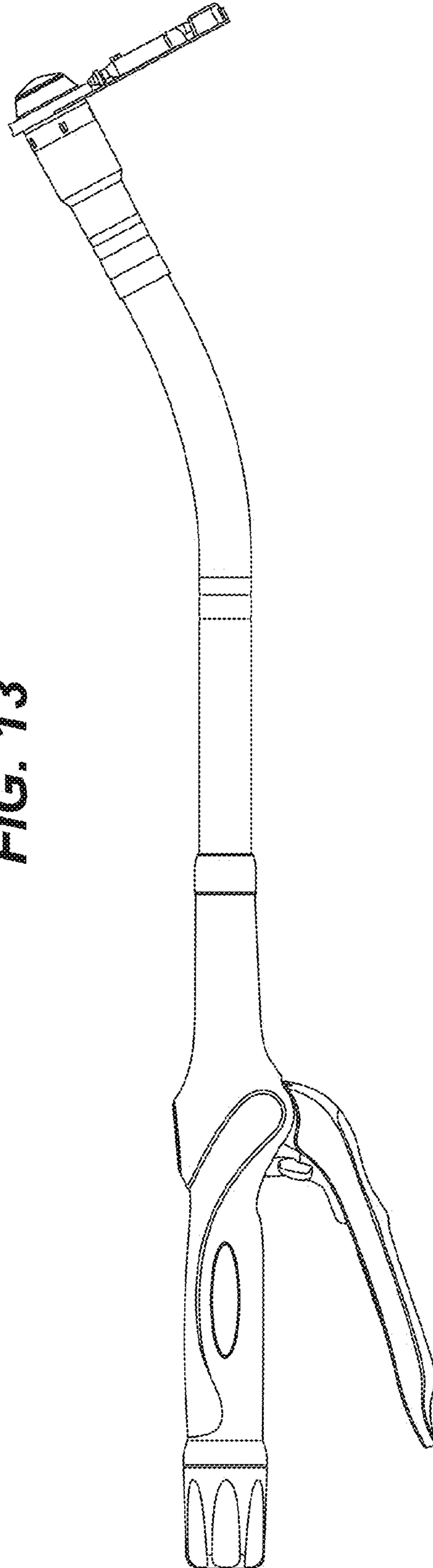
FIG. 11



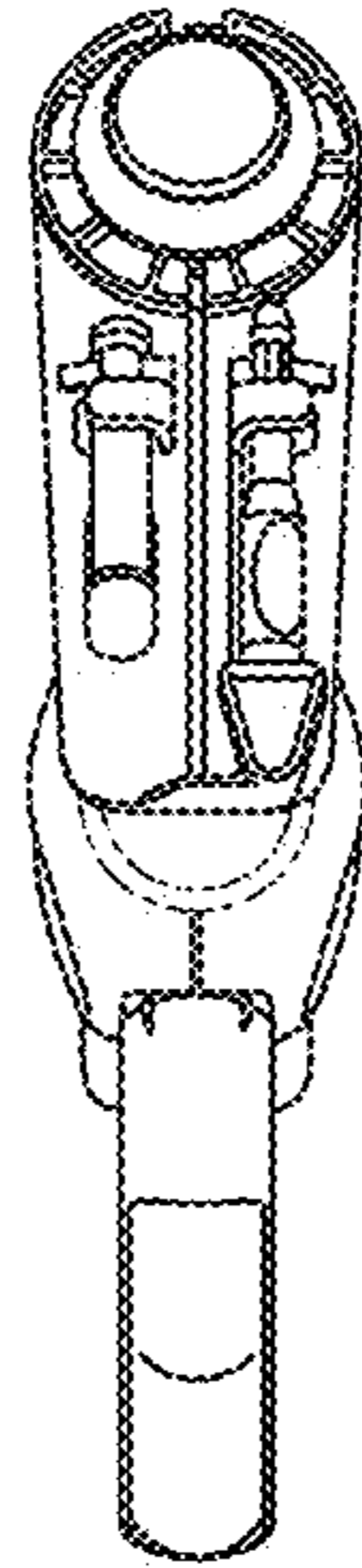
**FIG. 12**



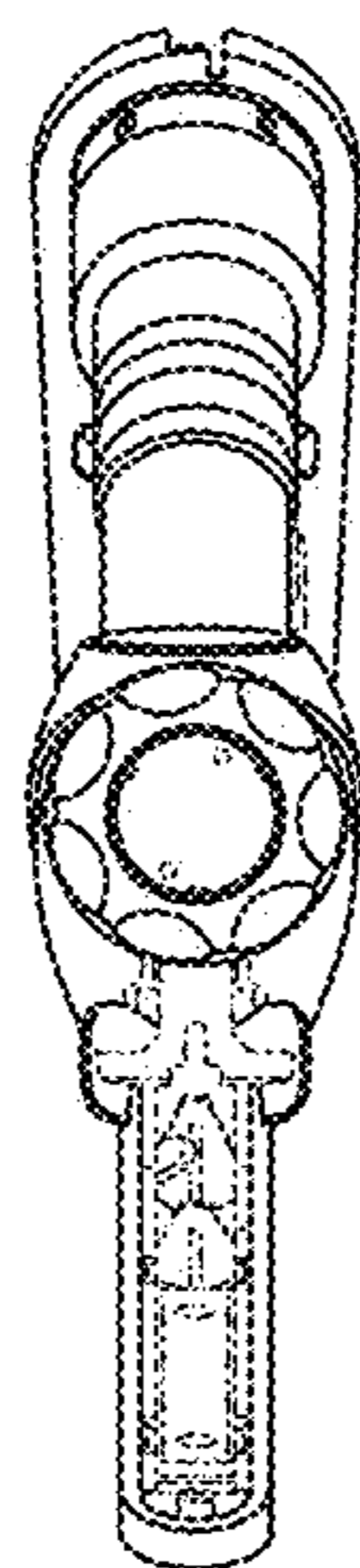
**FIG. 13**

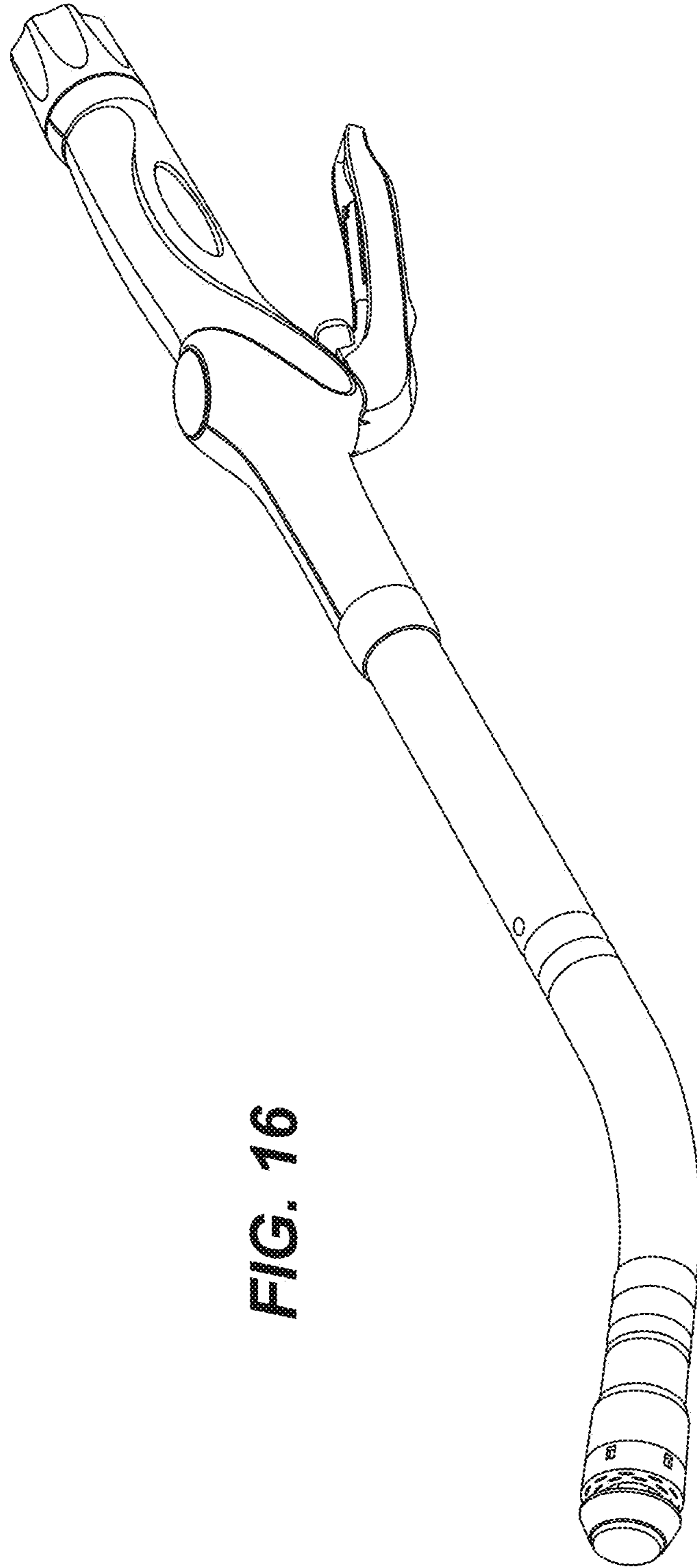


**FIG. 14**



**FIG. 15**





**FIG. 16**

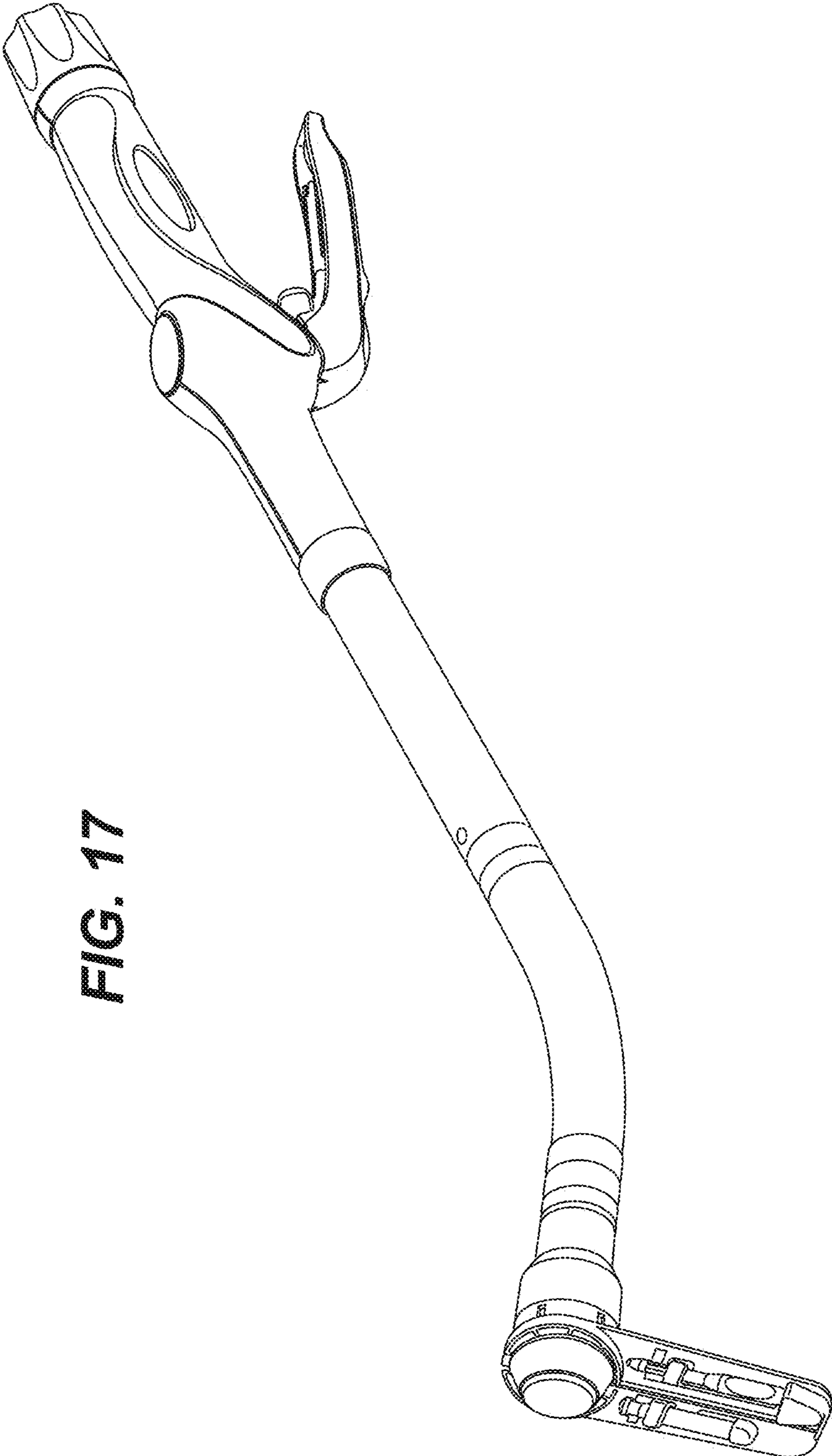


FIG. 17



FIG. 18

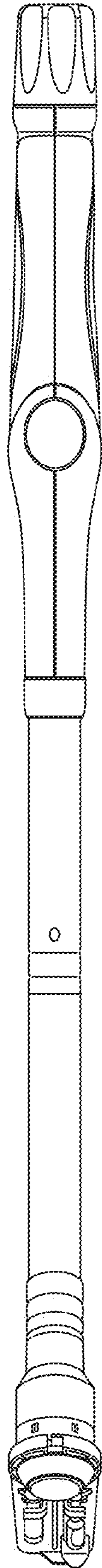


FIG. 19

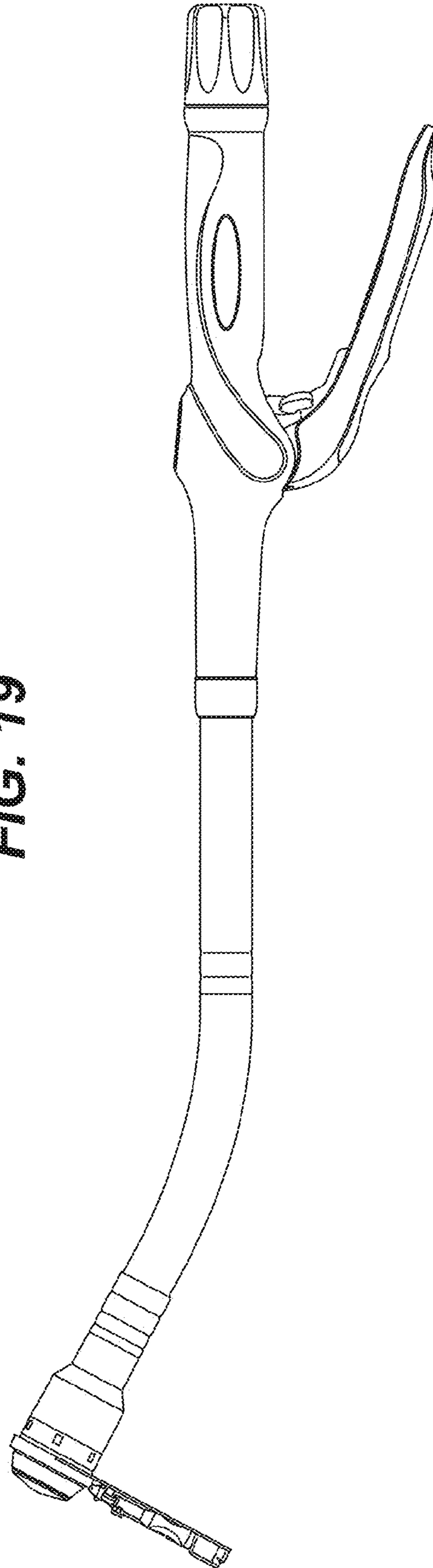


FIG. 20

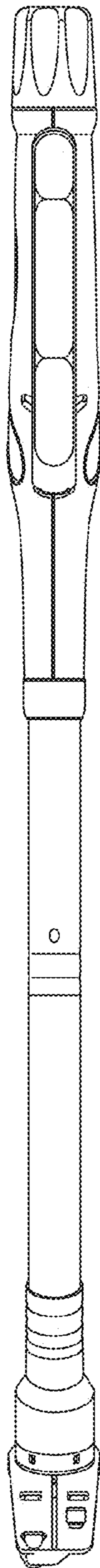
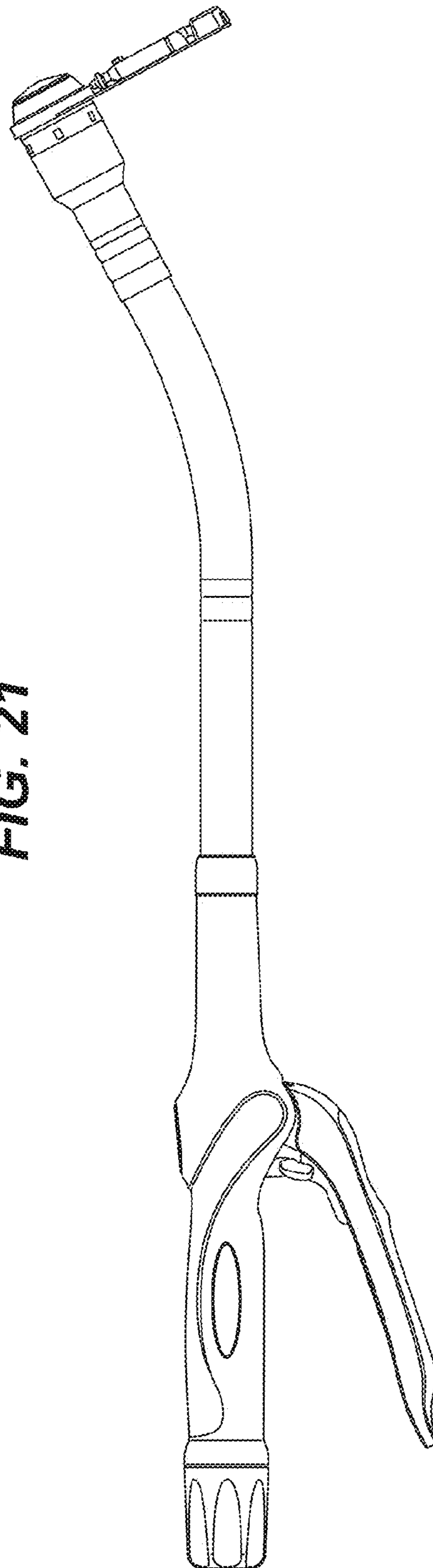
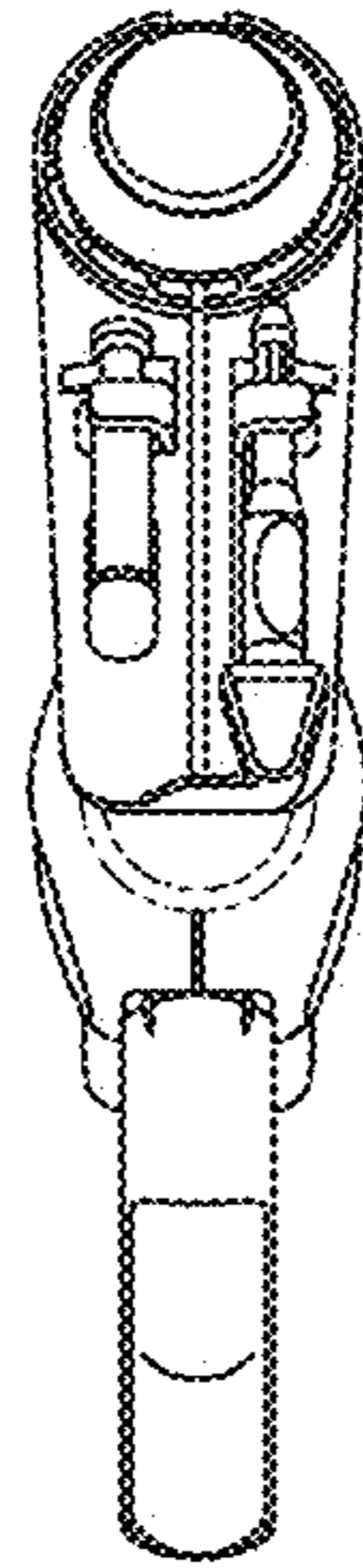


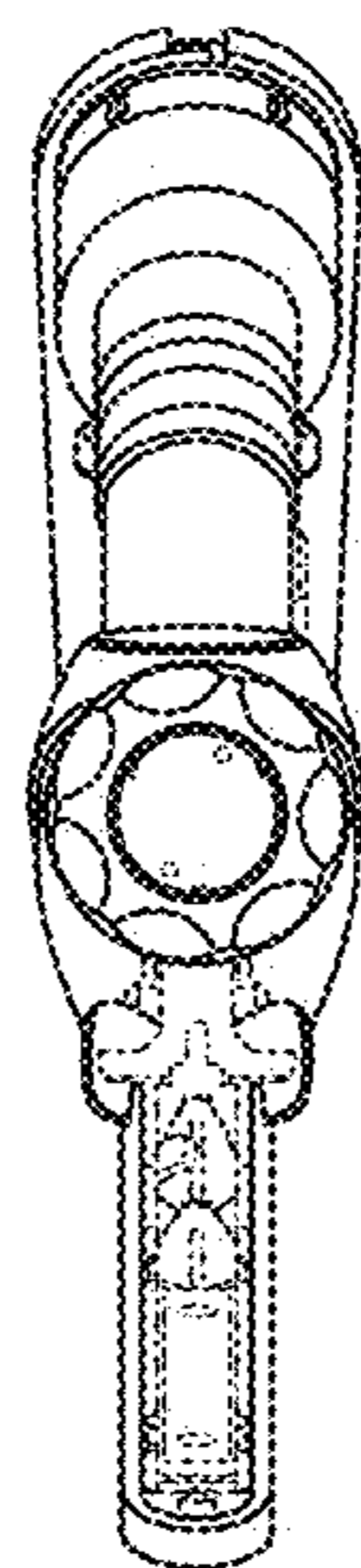
FIG. 21

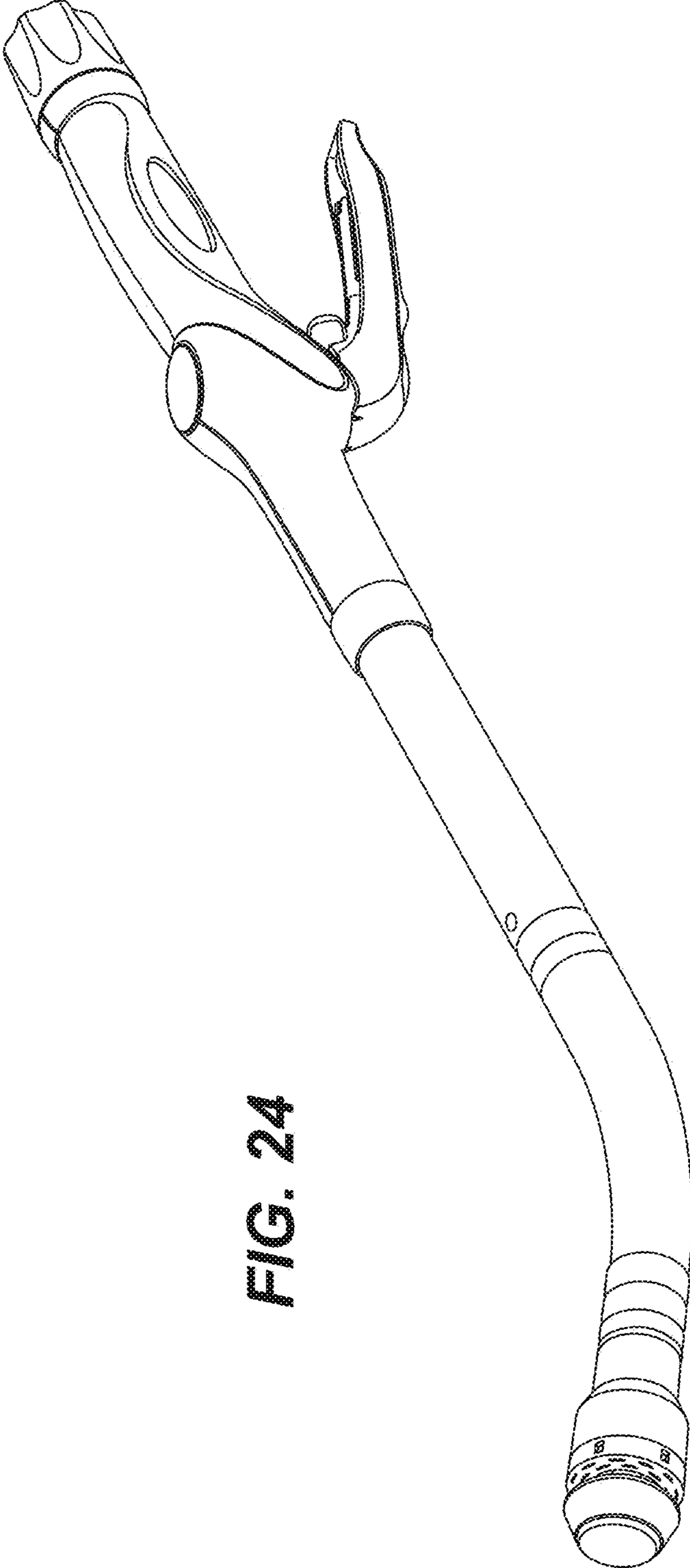


**FIG. 22**



**FIG. 23**





**FIG. 24**

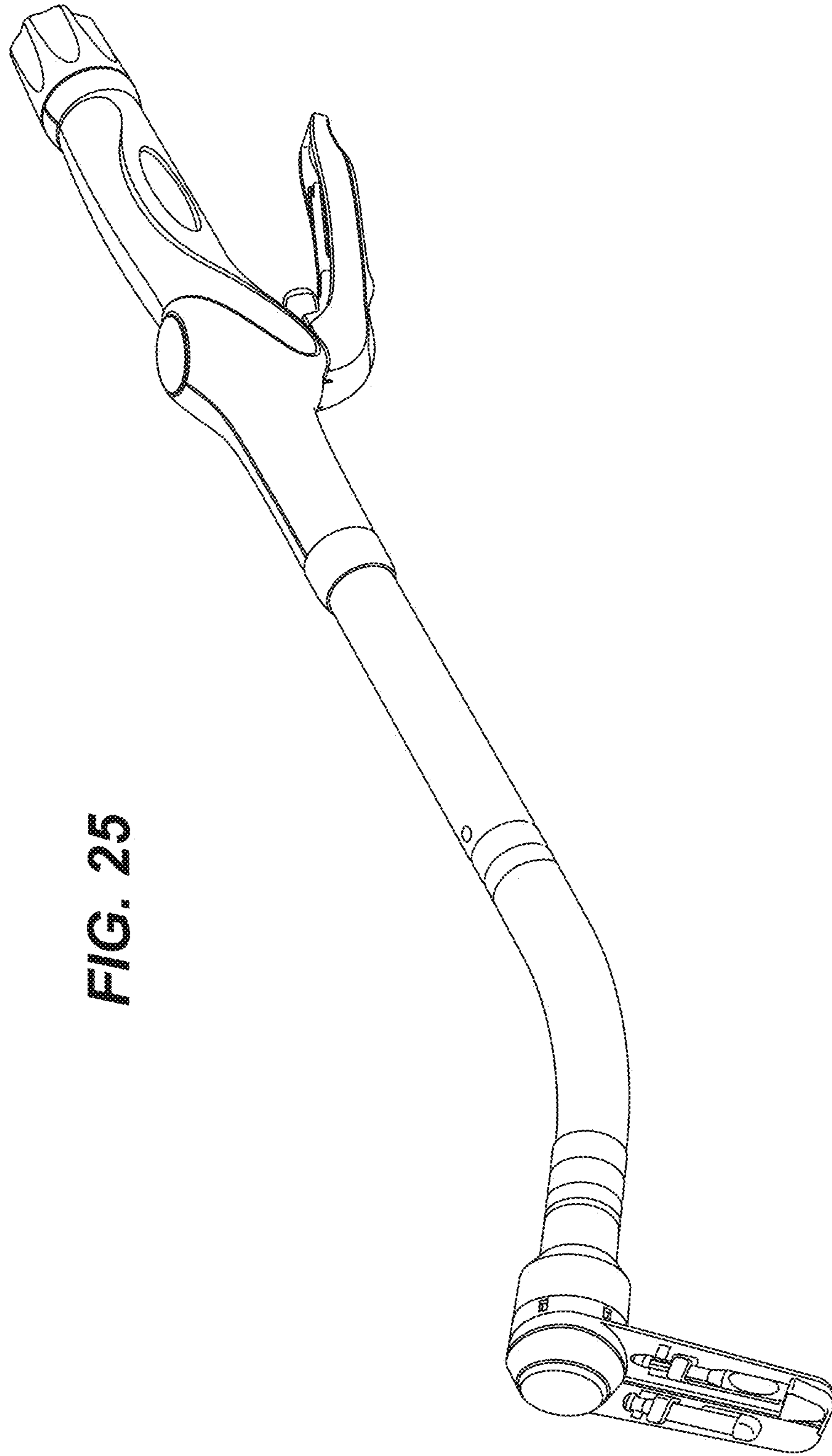


FIG. 25



FIG. 26

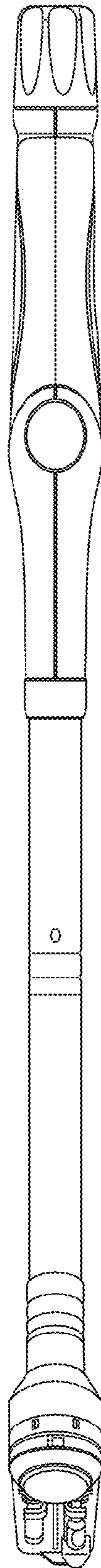


FIG. 27

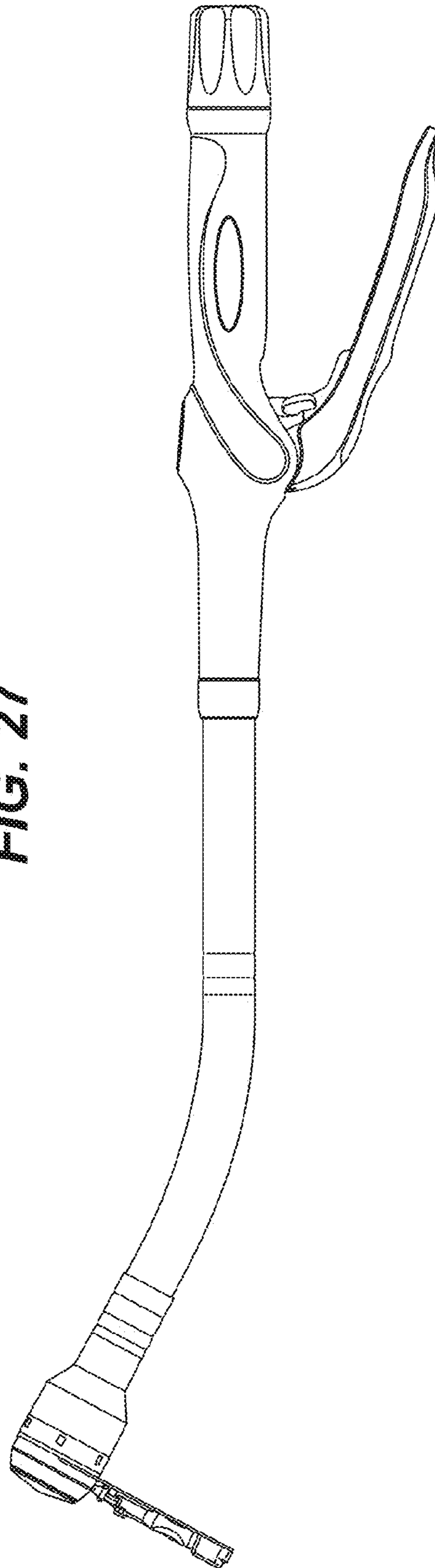


FIG. 28

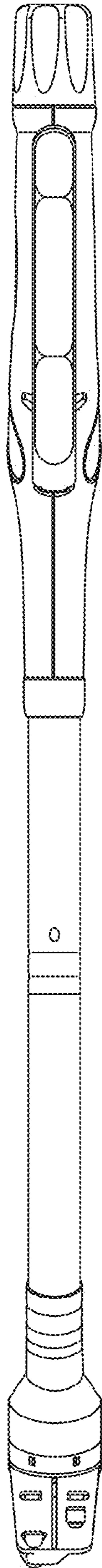
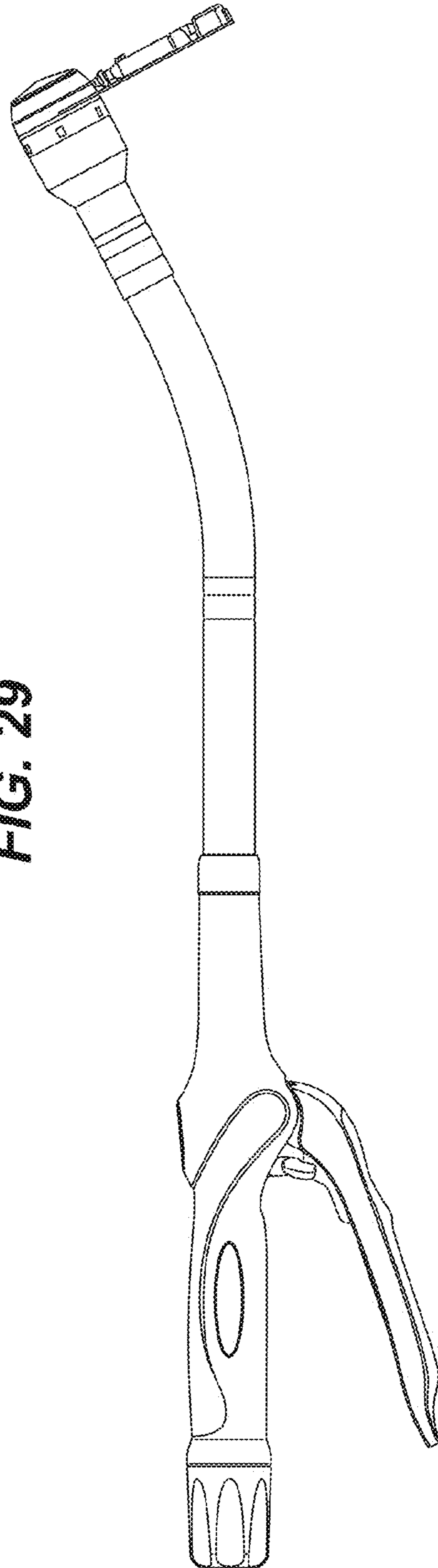
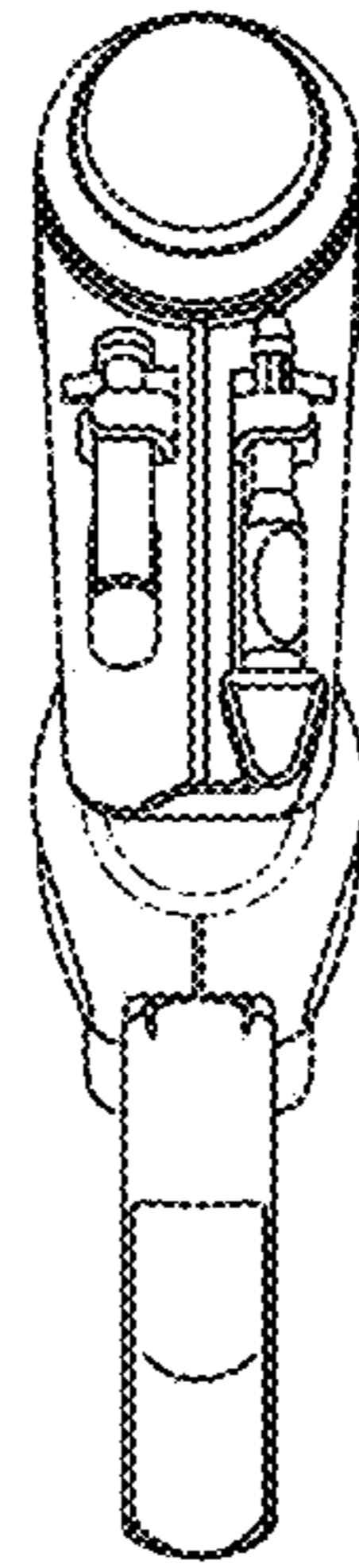


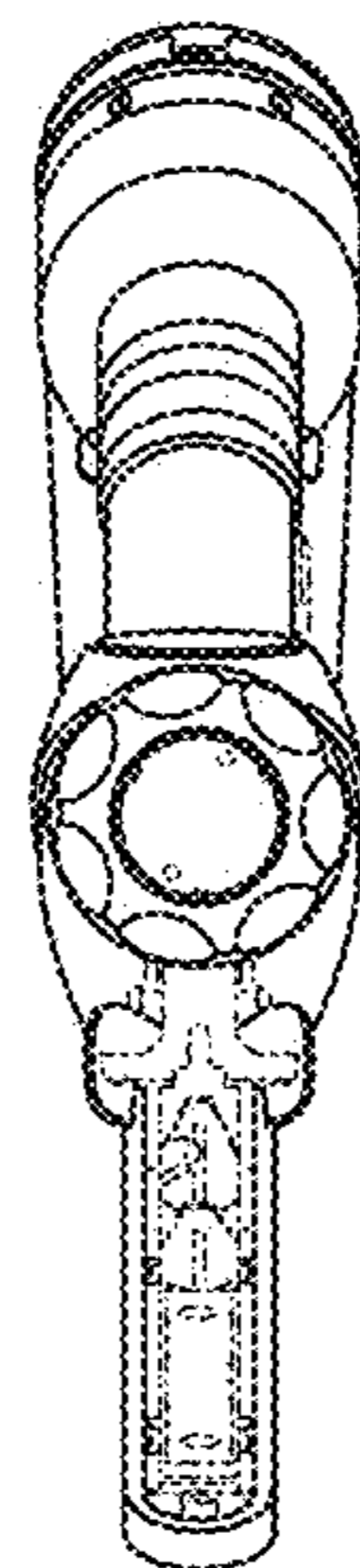
FIG. 29

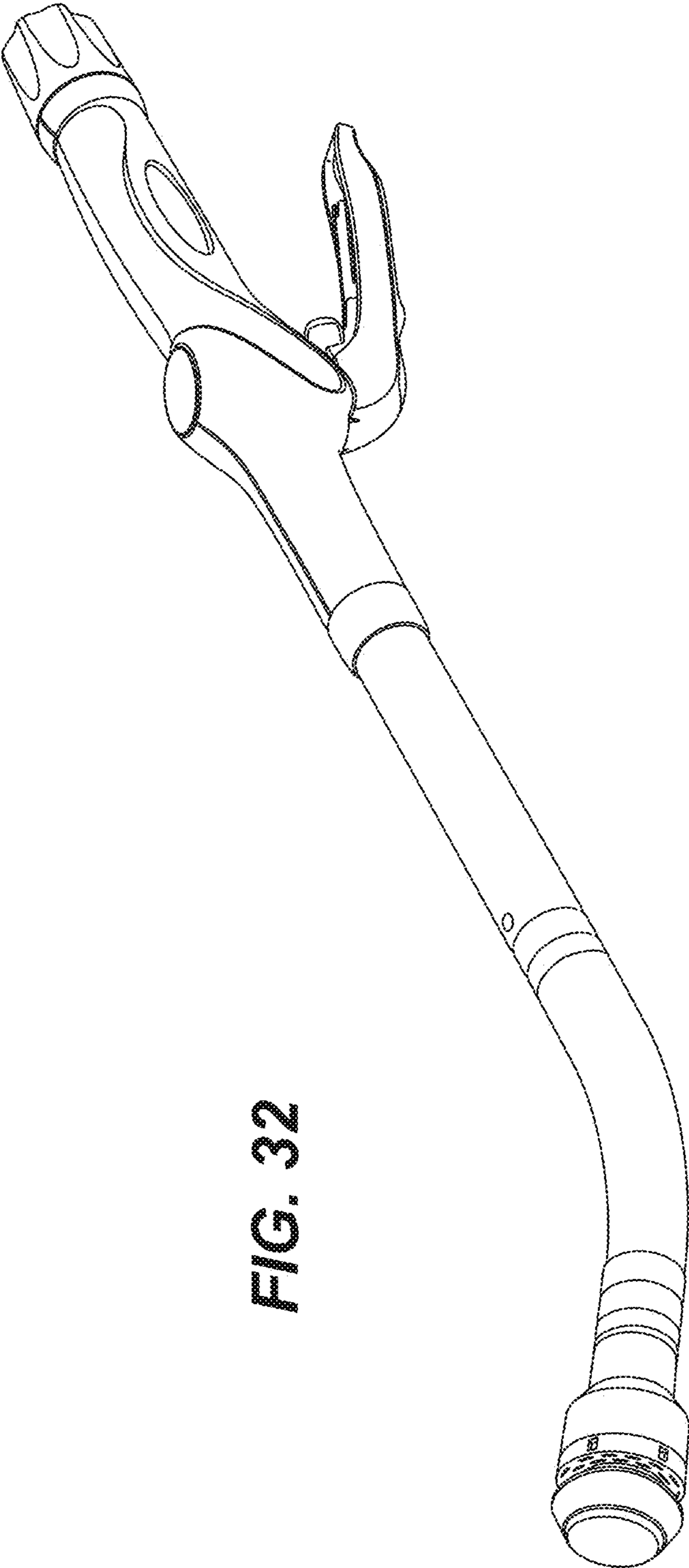


**FIG. 30**



**FIG. 31**





**FIG. 32**