



US00D685471S

(12) **United States Design Patent**  
**Merz et al.**

(10) **Patent No.:** **US D685,471 S**  
(45) **Date of Patent:** **\*\* Jul. 2, 2013**

- (54) **BIPOLAR ELECTROSURGICAL INSTRUMENT**
- (75) Inventors: **Robin Merz**, Furtwangen (DE); **Sven Schneider**, Tuttlingen (DE)
- (73) Assignee: **Karl Storz GmbH & Co. KG** (DE)
- (\*\*) Term: **14 Years**
- (21) Appl. No.: **29/416,267**
- (22) Filed: **Mar. 20, 2012**
- (30) **Foreign Application Priority Data**  
Sep. 20, 2011 (EM) ..... 001920232-0008
- (51) **LOC (9) Cl.** ..... **24-02**
- (52) **U.S. Cl.**  
USPC ..... **D24/144; D24/146**
- (58) **Field of Classification Search**  
USPC ..... D24/133, 137-138, 143-148; 606/39, 606/45, 48-52, 167, 170, 174, 205-206  
See application file for complete search history.

- (56) **References Cited**  
U.S. PATENT DOCUMENTS  
D354,563 S \* 1/1995 Holmes et al. .... D24/143  
D536,447 S \* 2/2007 Rehbein et al. .... D24/133  
D536,787 S \* 2/2007 Rehbein et al. .... D24/133  
D571,914 S \* 6/2008 Bacher ..... D24/143  
D587,806 S \* 3/2009 Hahn ..... D24/145  
7,540,872 B2 \* 6/2009 Schechter et al. .... 606/50

- 7,594,916 B2 \* 9/2009 Weinberg ..... 606/51
- 7,611,511 B2 \* 11/2009 Blocher ..... 606/46
- 7,905,881 B2 \* 3/2011 Masuda et al. .... 606/37
- D637,290 S \* 5/2011 Schwoy ..... D24/146
- 8,048,074 B2 \* 11/2011 Masuda ..... 606/51
- 8,292,886 B2 \* 10/2012 Kerr et al. .... 606/48
- 2005/0149016 A1 \* 7/2005 Rizvi ..... 606/51
- 2011/0251611 A1 \* 10/2011 Horner et al. .... 606/49
- 2012/0010610 A1 \* 1/2012 Keppel ..... 606/39
- 2012/0059375 A1 \* 3/2012 Couture et al. .... 606/51

\* cited by examiner

*Primary Examiner* — Wan Laymon

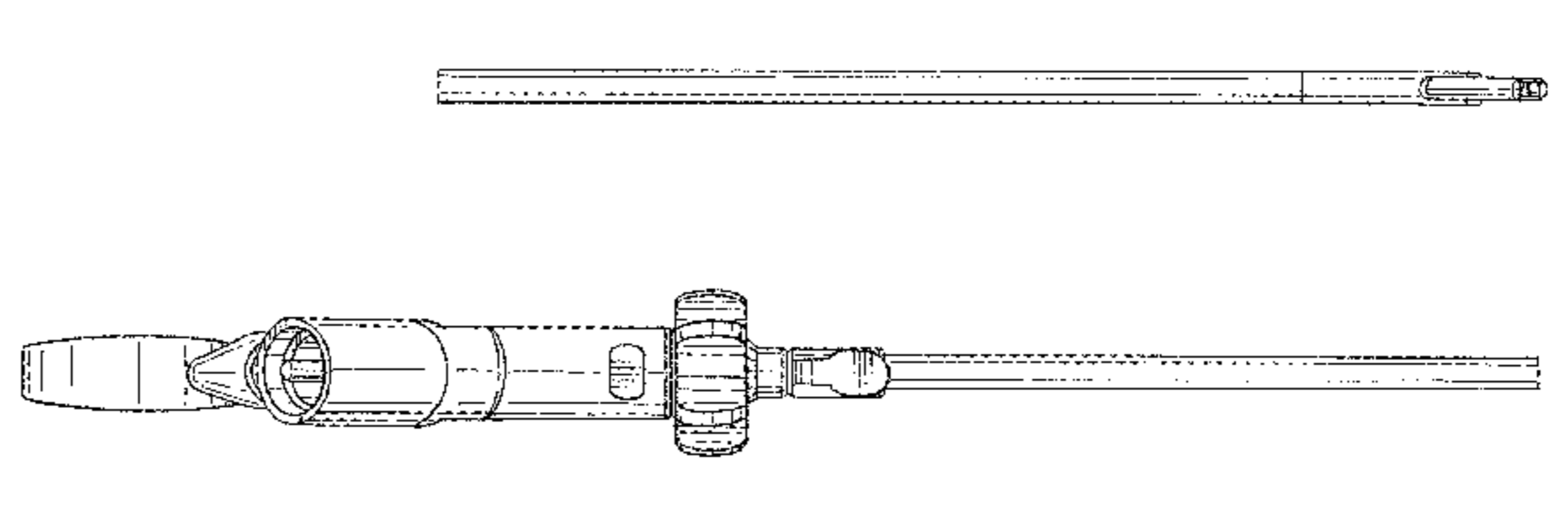
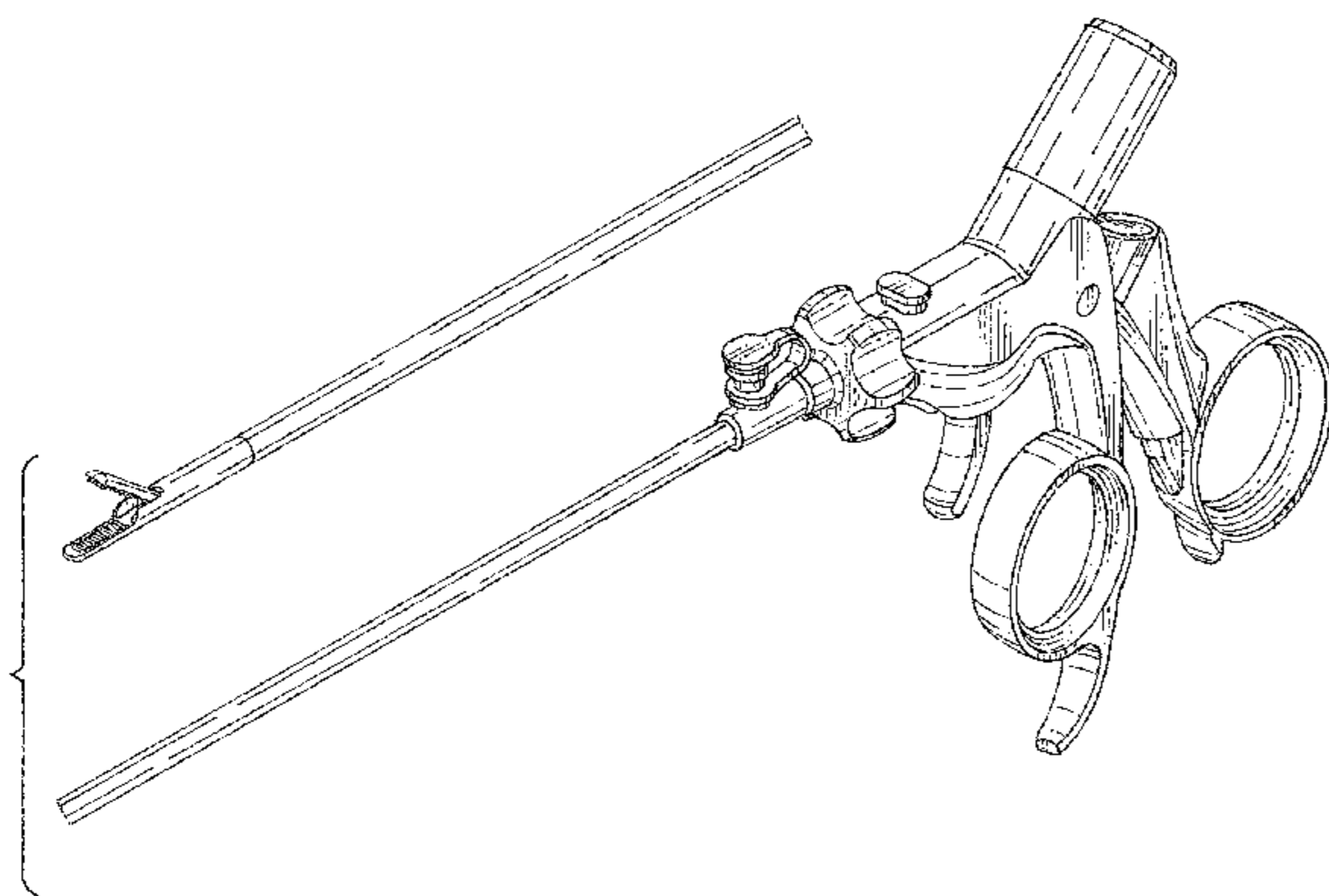
(74) *Attorney, Agent, or Firm* — St. Onge Steward Johnston & Reens LLC

(57) **CLAIM**  
The ornamental design for a bipolar electro-surgical instrument, as shown and described.

**DESCRIPTION**

FIG. 1 is a front left side isometric view of a bipolar electro-surgical instrument in accordance with the new design; FIG. 2 is a right side elevation view thereof, a left side elevation view being a mirror image thereof; FIG. 3 is a top plan view thereof; FIG. 4 is a bottom plan view thereof; FIG. 5 is a front elevation view thereof; and, FIG. 6 is a rear elevation view thereof. The broken lines shown in FIGS. 4 and 5 form no part of the claimed design. The broken away symbols in the drawings indicate that any portion of the article beyond what is shown forms no part of the claimed design.

**1 Claim, 6 Drawing Sheets**



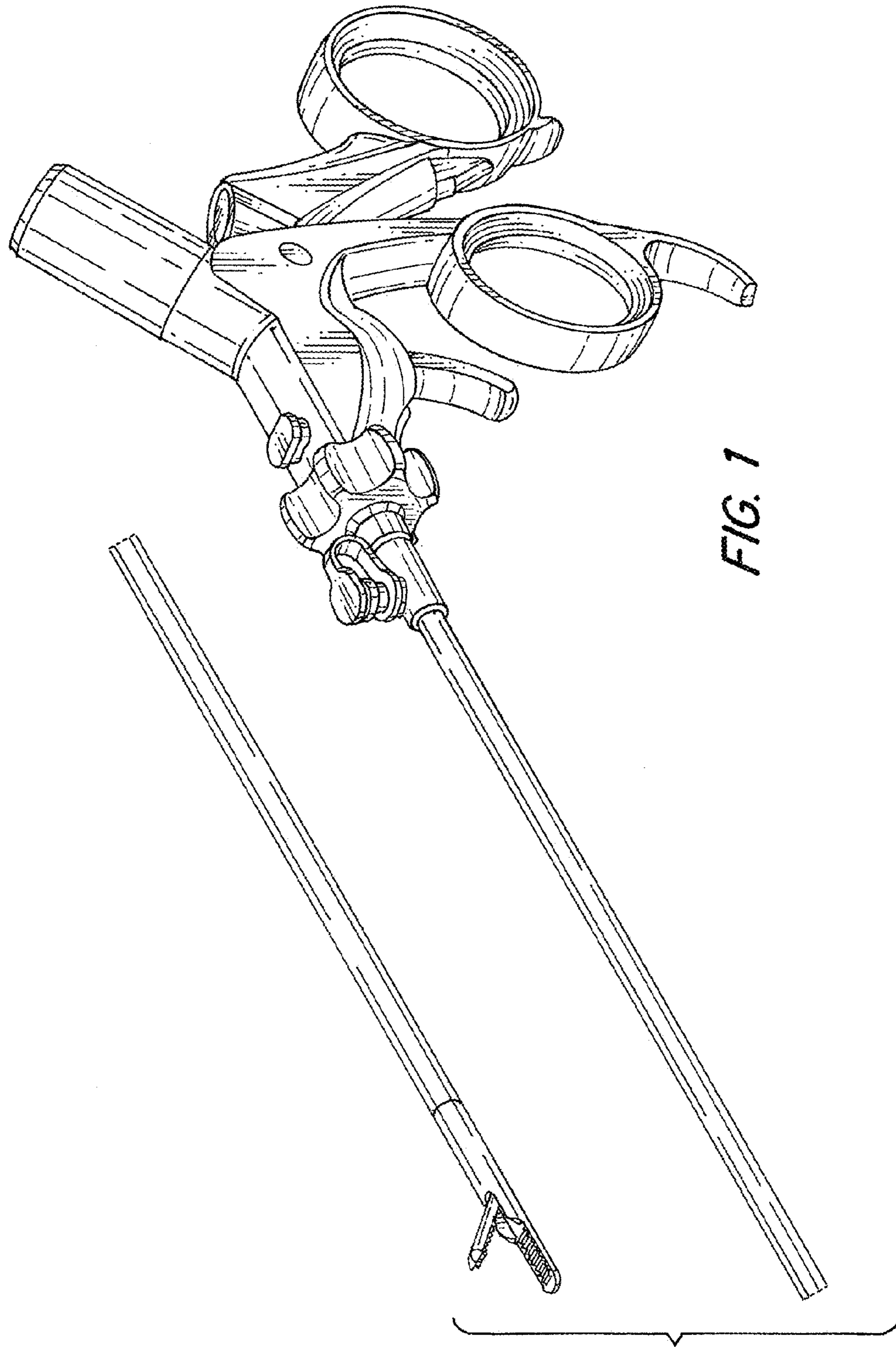


FIG. 1

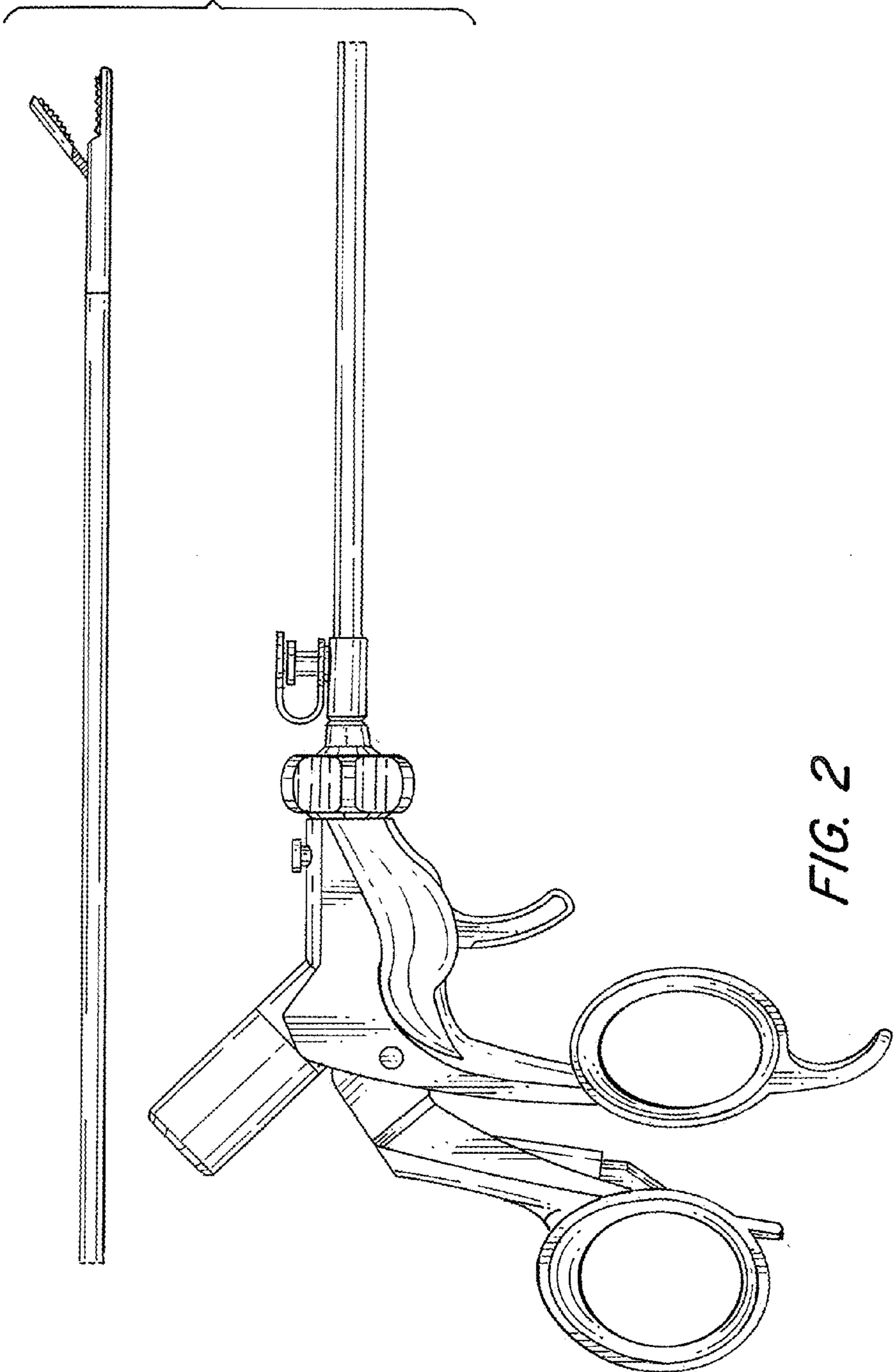


FIG. 2

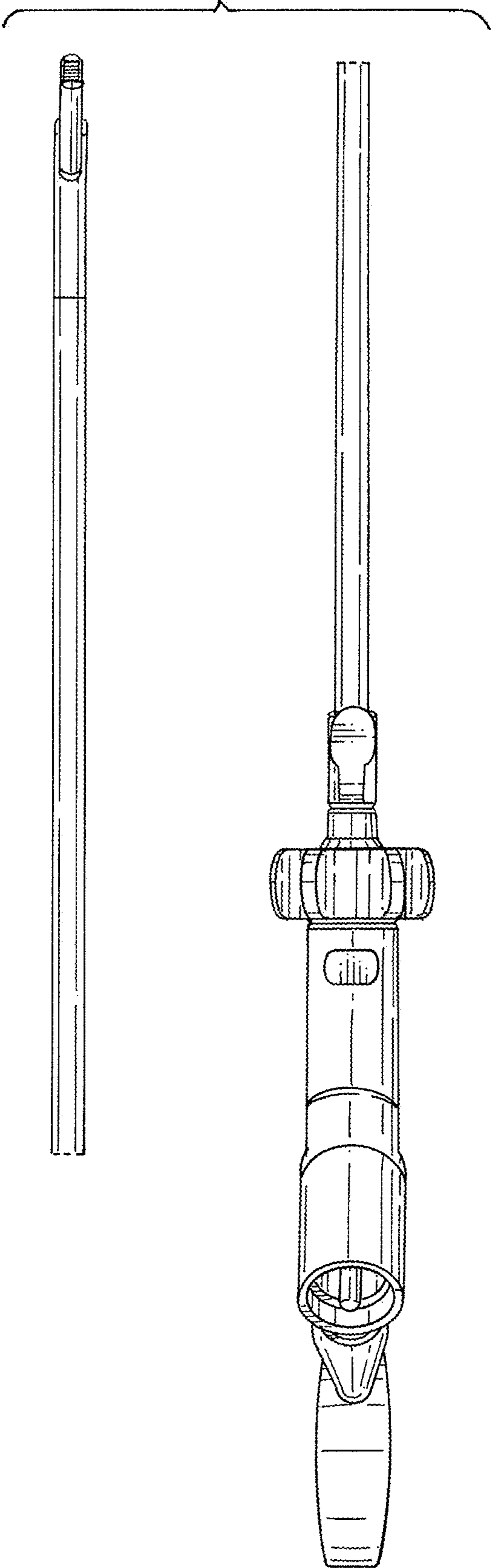


FIG. 3

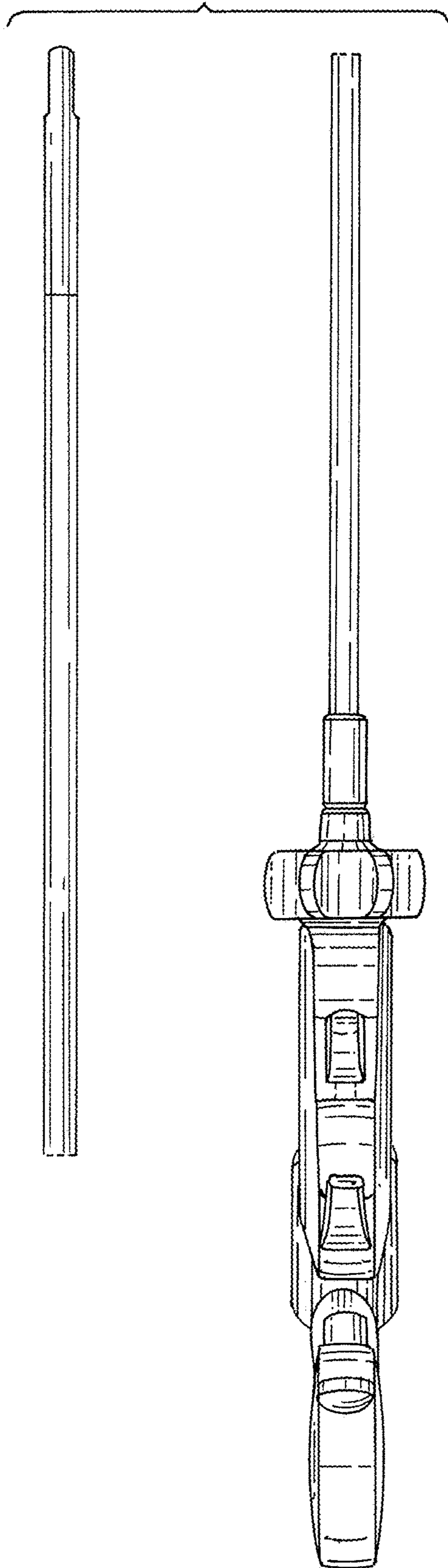
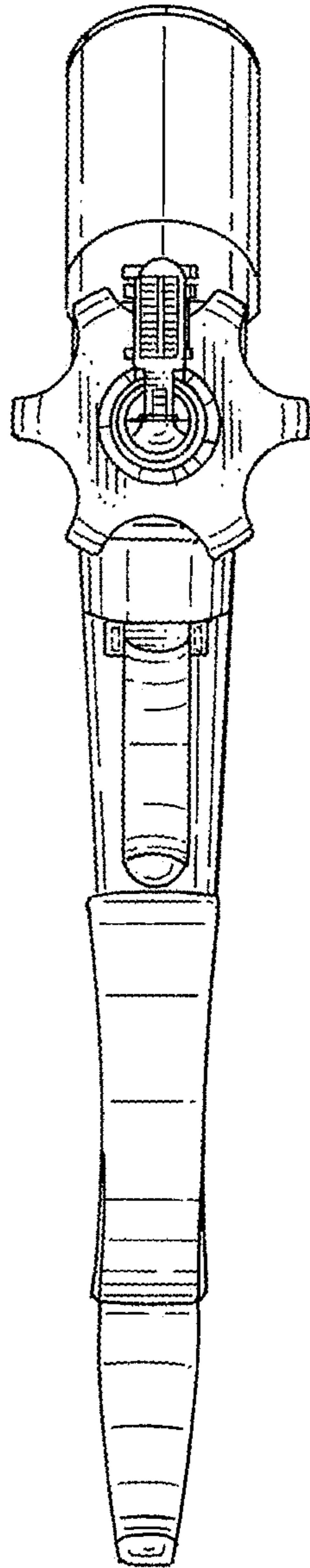
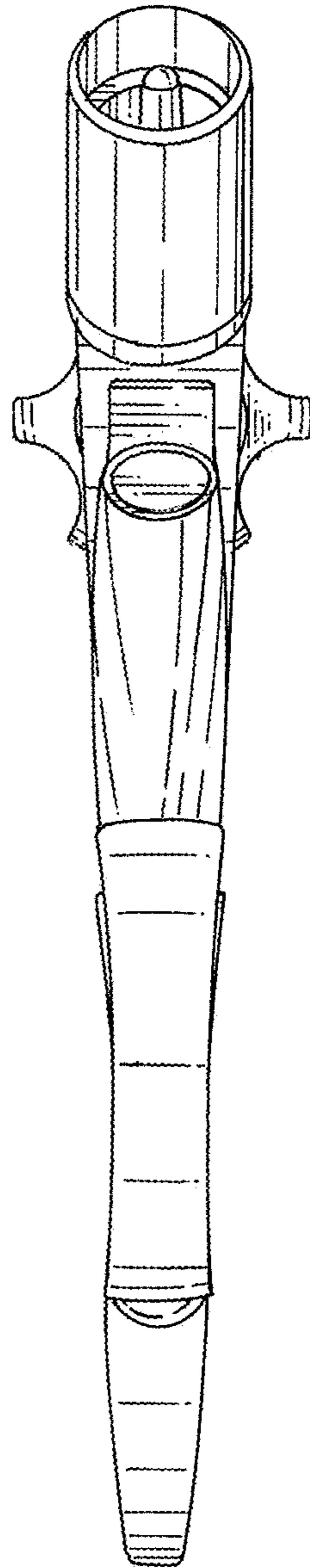


FIG. 4



*FIG. 5*



*FIG. 6*