



US00D685470S

(12) **United States Design Patent**
Schroeder et al.

(10) **Patent No.:** **US D685,470 S**
(45) **Date of Patent:** **** Jul. 2, 2013**

(54) **MEDICAL DEVICE HOUSING**

(75) Inventors: **Dennis Schroeder**, Los Angeles, CA (US); **Eric Schmid**, Los Angeles, CA (US); **Eric Olson**, Los Angeles, CA (US); **Chris Clark**, Los Angeles, CA (US); **Jonathan Abarbanel**, Los Angeles, CA (US); **Bernard Lo**, Los Angeles, CA (US); **Erin Williams**, Los Angeles, CA (US); **Cynthia Kossayan**, Los Angeles, CA (US); **Stuart Karten**, Los Angeles, CA (US)

(73) Assignee: **Boston Scientific Scimed, Inc.**, Maple Grove, MN (US)

(**) Term: **14 Years**

(21) Appl. No.: **29/395,477**

(22) Filed: **Jan. 27, 2012**

(51) **LOC (9) Cl.** **24-02**

(52) **U.S. Cl.**
USPC **D24/144; D24/107**

(58) **Field of Classification Search**
USPC D24/144, 107, 170, 232, 167, 186; D13/101, D13/162, 184, 112, 122; 219/660; 361/230; 606/34-35, 37-38, 46, 48-49; 607/10, 61
See application file for complete search history.

(56) **References Cited**

U.S. PATENT DOCUMENTS

D264,122 S * 4/1982 Oosten et al. D24/170
4,903,696 A * 2/1990 Stasz et al. 606/37

D349,343 S * 8/1994 Hannon et al. D24/170
D400,249 S * 10/1998 Holubar et al. D24/107
D404,004 S * 1/1999 Cheng et al. D13/101
D411,004 S * 6/1999 Muller et al. D24/107
D477,408 S * 7/2003 Bromley D24/170
D491,666 S * 6/2004 Kimmell et al. D24/170
D552,241 S * 10/2007 Bromley et al. D24/170

* cited by examiner

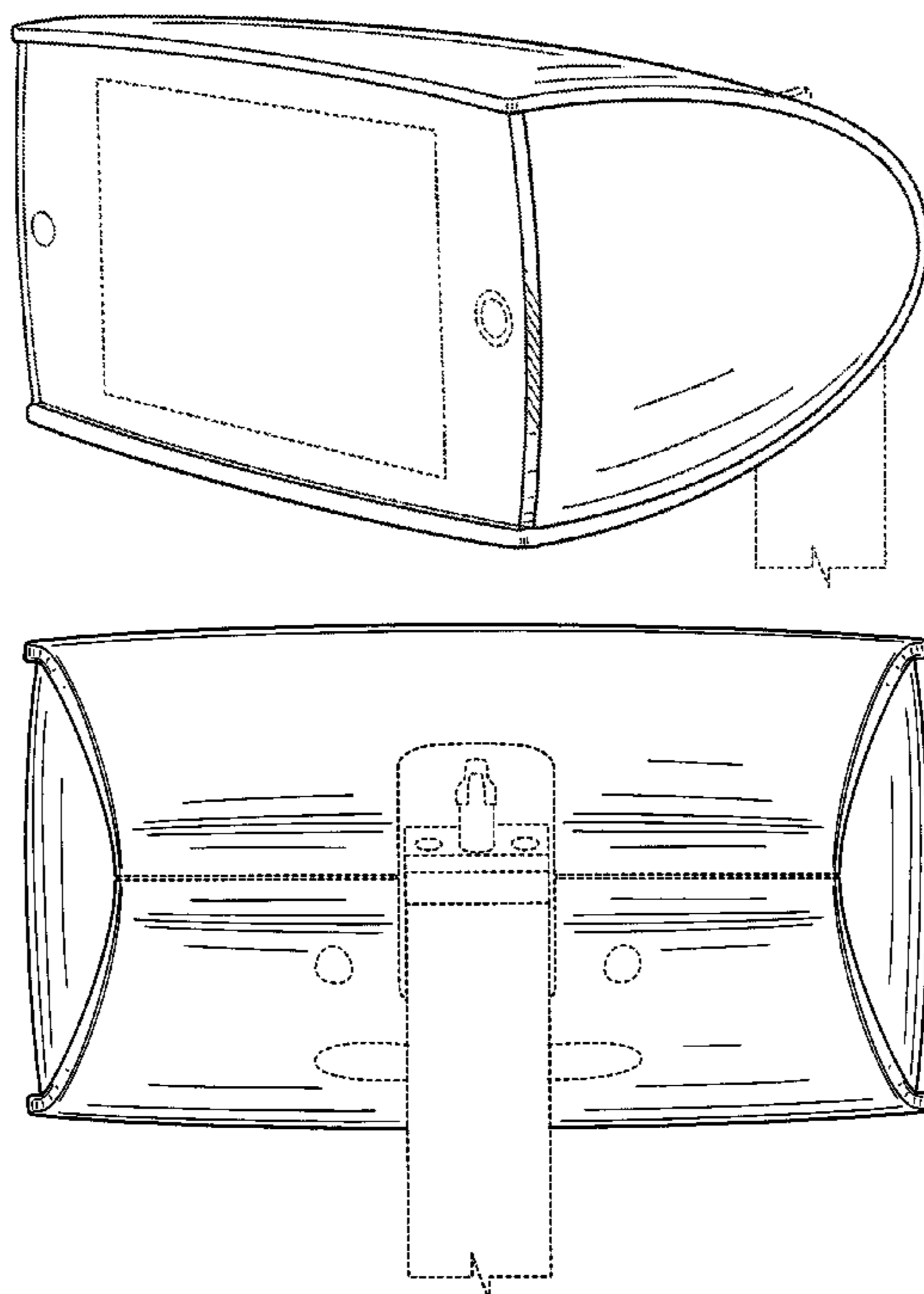
Primary Examiner — Wan Laymon
(74) *Attorney, Agent, or Firm* — Seager, Tufte & Wickhem, LLC

(57) **CLAIM**
The ornamental design for a medical device housing, as shown and described.

DESCRIPTION

FIG. 1 is a perspective view of a medical device housing. FIG. 2 is a slightly enlarged front view of the medical device housing of FIG. 1. FIG. 3 is a slightly enlarged rear view of the medical device housing of FIG. 1. FIG. 4 is a slightly enlarged right side view of the medical device housing of FIG. 1, the left side view being a mirror image of the right side view; and, FIG. 5 is a slightly enlarged top view of the medical device housing of FIG. 1. The broken lines immediately adjacent to the claimed surfaces represent boundaries of the claimed design. All other broken lines depict unclaimed environment. The broken lines form no part of the claimed design.

1 Claim, 5 Drawing Sheets



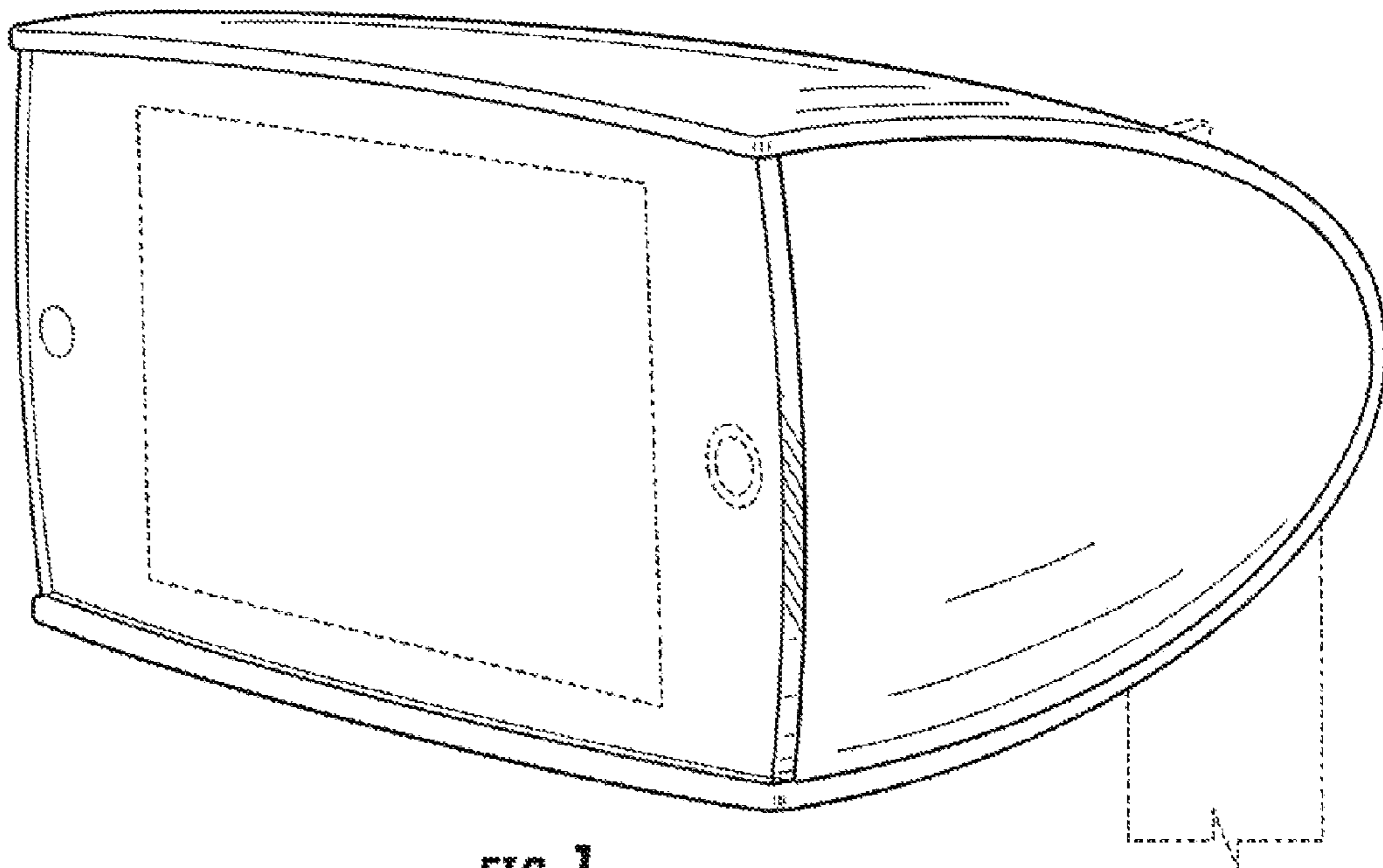


FIG. 1

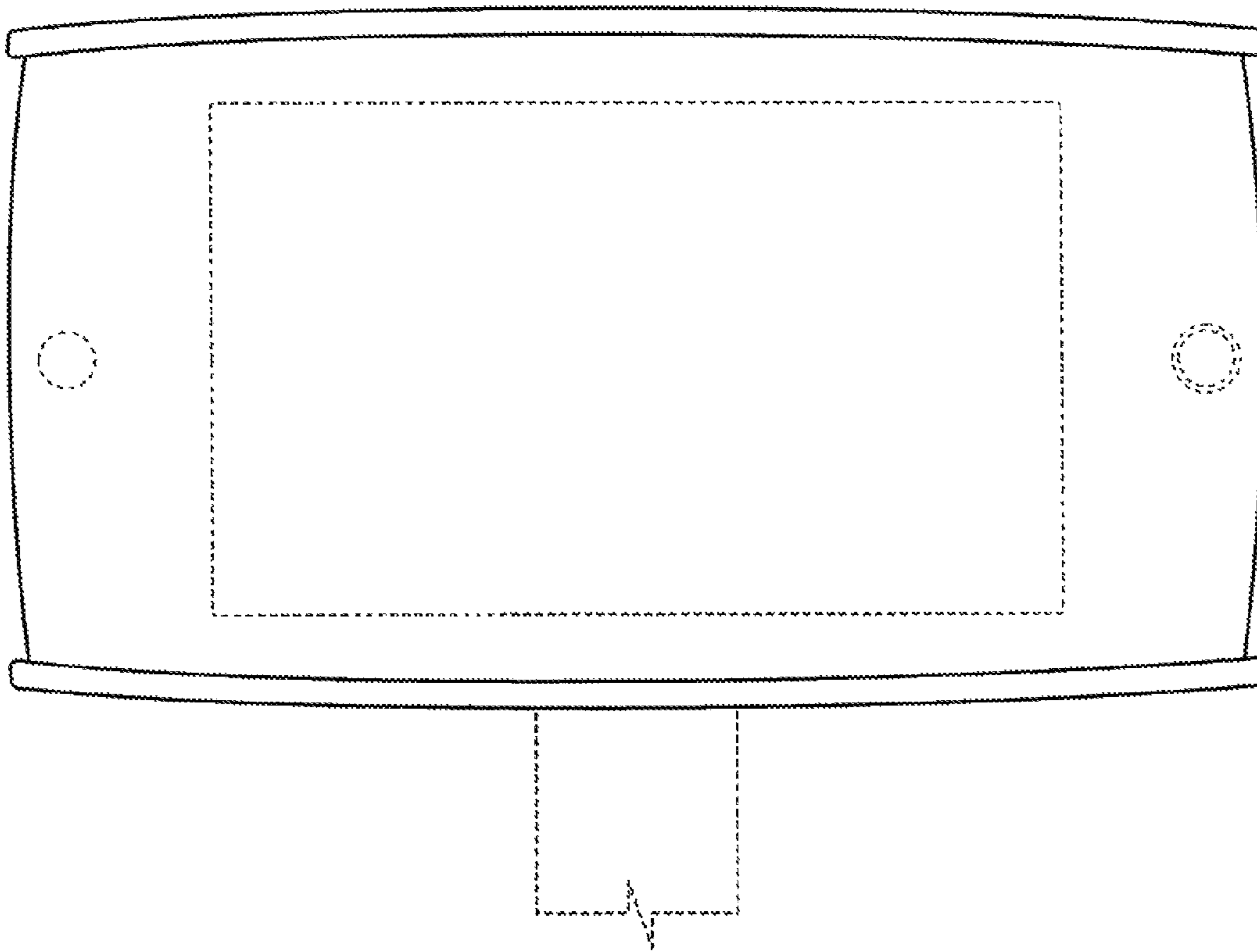


FIG. 2

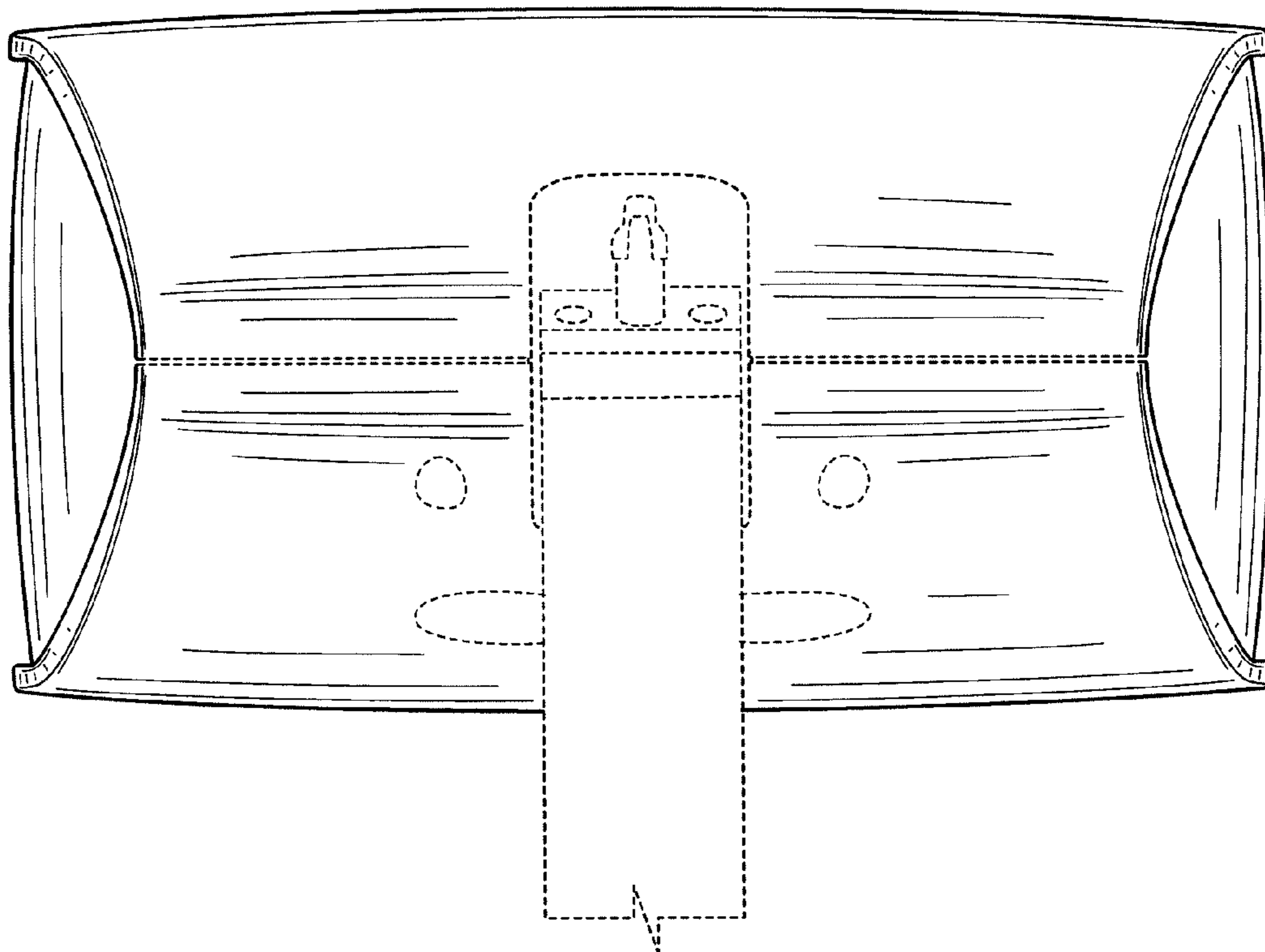


FIG. 3

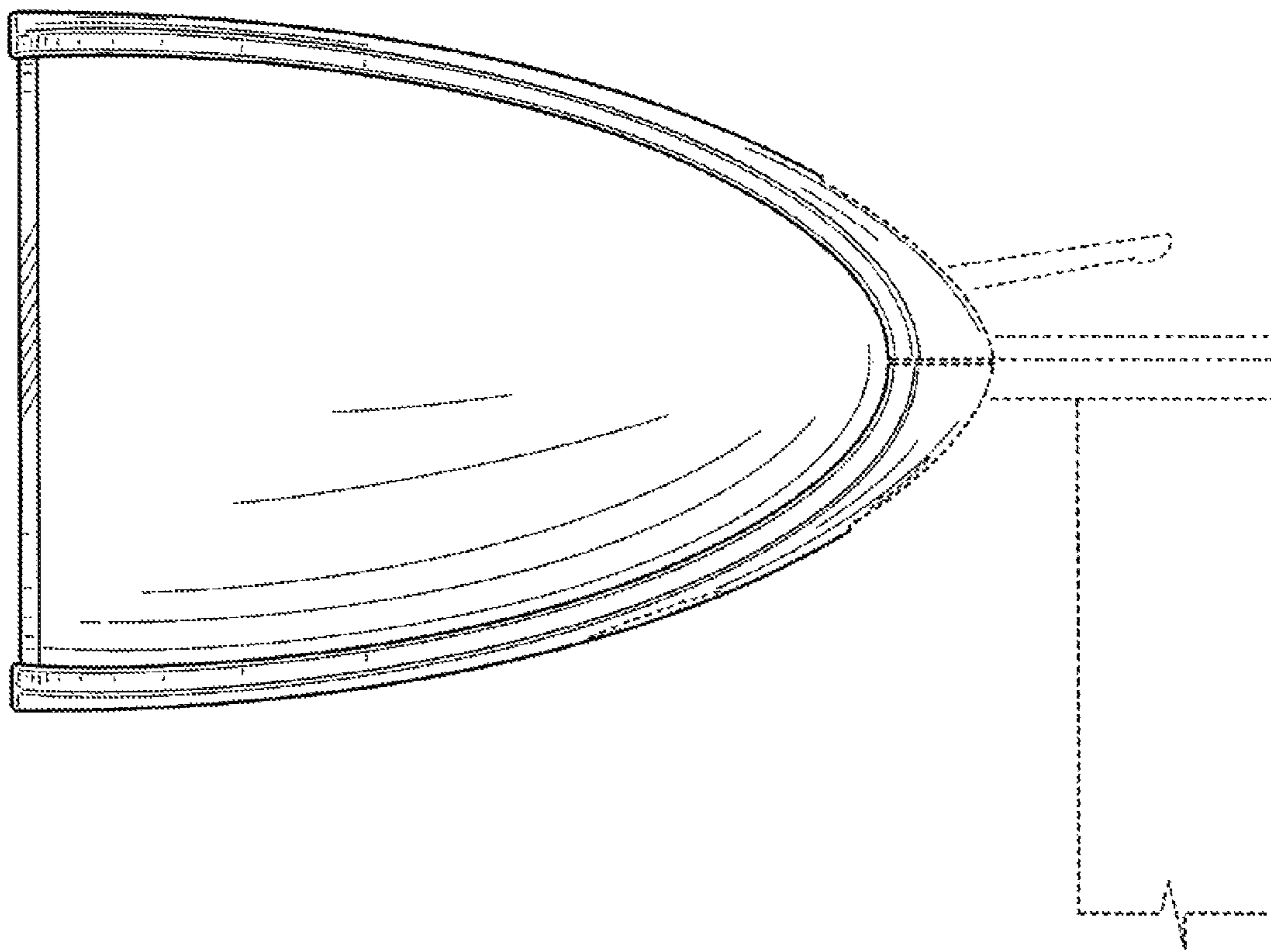


FIG. 4

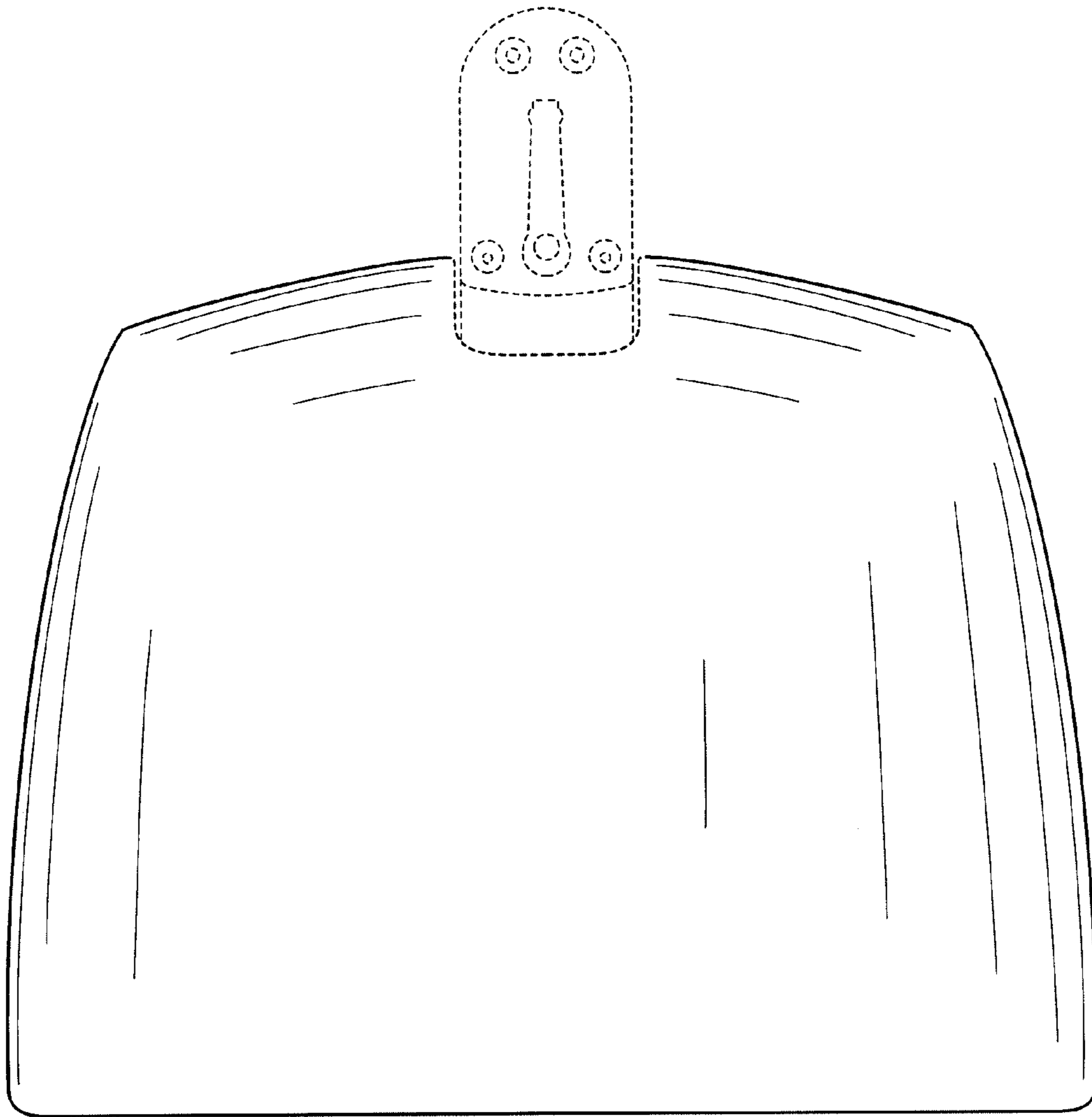


FIG. 5

UNITED STATES PATENT AND TRADEMARK OFFICE
CERTIFICATE OF CORRECTION

PATENT NO. : D685,470 S
APPLICATION NO. : 29/395477
DATED : July 2, 2013
INVENTOR(S) : Dennis Schroeder et al.

Page 1 of 1

It is certified that error appears in the above-identified patent and that said Letters Patent is hereby corrected as shown below:

Title Page, Item (73)

Assignee: delete "Boston Scientific Scimed, Inc." and insert therefor -- Vessix Vascular, Inc., San Diego, CA (US) --.

Signed and Sealed this
Eighteenth Day of November, 2014



Michelle K. Lee
Deputy Director of the United States Patent and Trademark Office