



US00D685467S

(12) **United States Design Patent**
Strong

(10) **Patent No.:** **US D685,467 S**
(45) **Date of Patent:** **** Jul. 2, 2013**

(54) **ADAPTER FOR A LIQUID DISPENSING SYRINGE**

(75) Inventor: **Warren N. Strong**, Hope, RI (US)

(73) Assignee: **Nordson Corporation**, Westlake, OH (US)

(**) Term: **14 Years**

(21) Appl. No.: **29/422,820**

(22) Filed: **May 24, 2012**

Related U.S. Application Data

(62) Division of application No. 29/367,355, filed on Aug. 6, 2010, now Pat. No. Des. 663,023, which is a division of application No. 29/326,873, filed on Oct. 27, 2008, now Pat. No. Des. 623,291, which is a division of application No. 29/280,974, filed on Jun. 12, 2007, now Pat. No. Des. 588,693.

(51) **LOC (9) Cl.** **24-02**

(52) **U.S. Cl.**
USPC **D24/130**

(58) **Field of Classification Search**
USPC . D24/127-131, 112-114, 133, 186; 606/181, 606/185; 604/232, 187, 158, 164.08, 192, 604/263, 163, 181, 184, 198, 227, 411; 600/101, 600/139, 143; 128/200.24, 207.14, 207.15; D9/434, 447

See application file for complete search history.

(56) **References Cited**

U.S. PATENT DOCUMENTS

2,830,586	A	4/1958	Dann et al.
2,952,255	A	9/1960	Hein, Jr.
3,149,717	A	9/1964	Castelli
3,237,815	A	3/1966	Ogle
4,067,332	A	1/1978	O'Leary

D262,739	S	1/1982	Nitshke	
4,588,403	A *	5/1986	Weiss et al.	604/411
4,708,270	A	11/1987	Ruesch	
D294,640	S	3/1988	Wicken et al.	
D302,206	S	7/1989	McAlister et al.	
D303,010	S *	8/1989	Jabbusch	D24/114

(Continued)

FOREIGN PATENT DOCUMENTS

GB	2020254	A	11/1979
JP	5208157	A	8/1993

(Continued)

OTHER PUBLICATIONS

European Patent Office, Invitation to Pay Additional Fees in PCT Application No. PCT/US2007/070971, Dec. 13, 2007.

(Continued)

Primary Examiner — David Muller
(74) *Attorney, Agent, or Firm* — Wood, Herron & Evans, L.L.P.

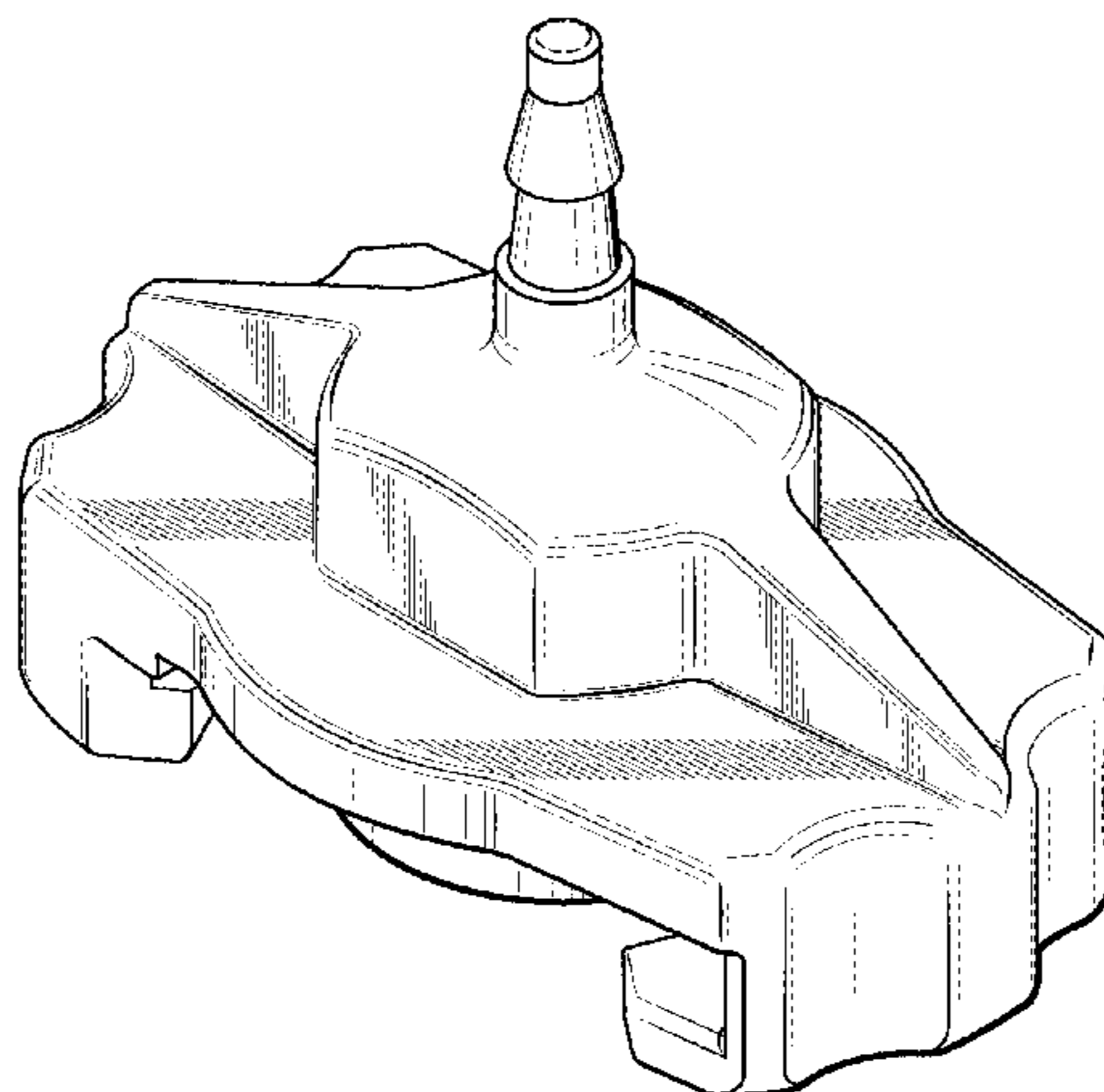
(57) **CLAIM**

The ornamental design for an adapter for a liquid dispensing syringe, as shown and described.

DESCRIPTION

FIG. 1 is a perspective view of the adapter for a liquid dispensing syringe.
FIG. 2 is a front view of the adapter with the rear view being an identical image thereof.
FIG. 3 is a right side view of the adapter with the left side view being an identical image thereof.
FIG. 4 is a top view of the adapter; and,
FIG. 5 is a bottom view of the adapter.
The broken line showing of parts of the drawings is included for the purpose of illustrating use and environment and forms no part of the claimed design.

1 Claim, 2 Drawing Sheets



U.S. PATENT DOCUMENTS

D306,069 S 2/1990 Kelly et al.
D321,252 S * 10/1991 Jepson et al. D24/112
D321,759 S 11/1991 Buswell et al.
5,098,416 A 3/1992 Imonti
D338,957 S 8/1993 de Faire et al.
5,238,003 A 8/1993 Baidwan et al.
5,273,187 A 12/1993 Suzuki
5,509,903 A 4/1996 Grendahl et al.
5,531,710 A 7/1996 Dang et al.
D401,324 S 11/1998 Hjertman et al.
D425,198 S * 5/2000 Porta D24/130
D427,308 S * 6/2000 Zinger D24/129
D429,812 S 8/2000 Hjertman et al.
D431,864 S 10/2000 Jansen
D447,797 S 9/2001 Odell et al.
D447,799 S 9/2001 Jun
6,296,625 B1 10/2001 Vetter et al.
D472,316 S * 3/2003 Douglas et al. D24/129
D495,416 S * 8/2004 Dimeo et al. D24/129
D496,101 S * 9/2004 Davison D24/130
6,984,222 B1 1/2006 Hitchins et al.
D518,373 S * 4/2006 Schulthess D9/434
7,070,581 B2 7/2006 Manera et al.
D534,796 S * 1/2007 Falkenburg D9/434
D540,466 S * 4/2007 Homra et al. D24/128
D543,278 S 5/2007 Numata et al.
D558,340 S 12/2007 Hochman et al.
D581,048 S 11/2008 Kawamura
D584,407 S 1/2009 Kawamura
D588,693 S 3/2009 Strong et al.

D596,487 S * 7/2009 Batton et al. D9/447
D608,000 S 1/2010 Kawamura
D616,090 S * 5/2010 Kawamura D24/127
D629,895 S * 12/2010 Demleitner et al. D24/133
D630,318 S * 1/2011 Goodwin D24/129
D630,732 S * 1/2011 Lev et al. D24/129
D649,242 S 11/2011 Kosinski et al.
D657,462 S 4/2012 Siroky
D668,760 S * 10/2012 Kawamura D24/130
2001/0021823 A1 9/2001 Nemoto
2002/0123736 A1 * 9/2002 Fowles et al. 604/413
2005/0029306 A1 2/2005 Brennan
2006/0089594 A1 4/2006 Landau
2007/0000951 A1 1/2007 Springhom

FOREIGN PATENT DOCUMENTS

JP 7204557 A 8/1995
JP 8105197 A 4/1996
JP 8266624 A 10/1996
JP 10118556 A 5/1998

OTHER PUBLICATIONS

European Patent Office, International Search Report and Written Opinion in PCT Application U.S. Appl. No. PCT/US2007/070971, Nov. 29, 2007.

Japanese Patent Office, Notification of Reason for Refusal in JP Application No. 2009-515601, Nov. 6, 2012.

* cited by examiner

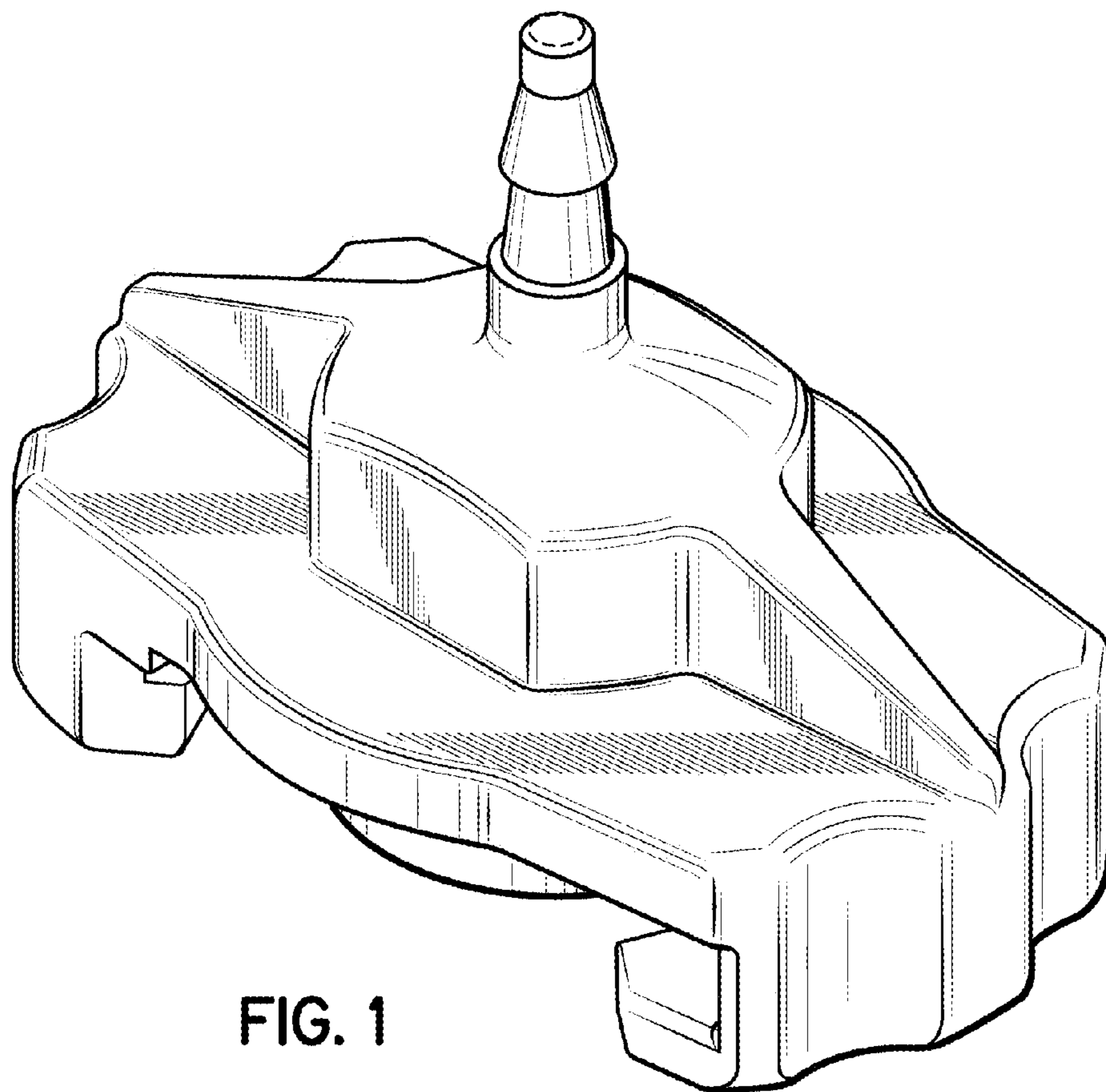


FIG. 1

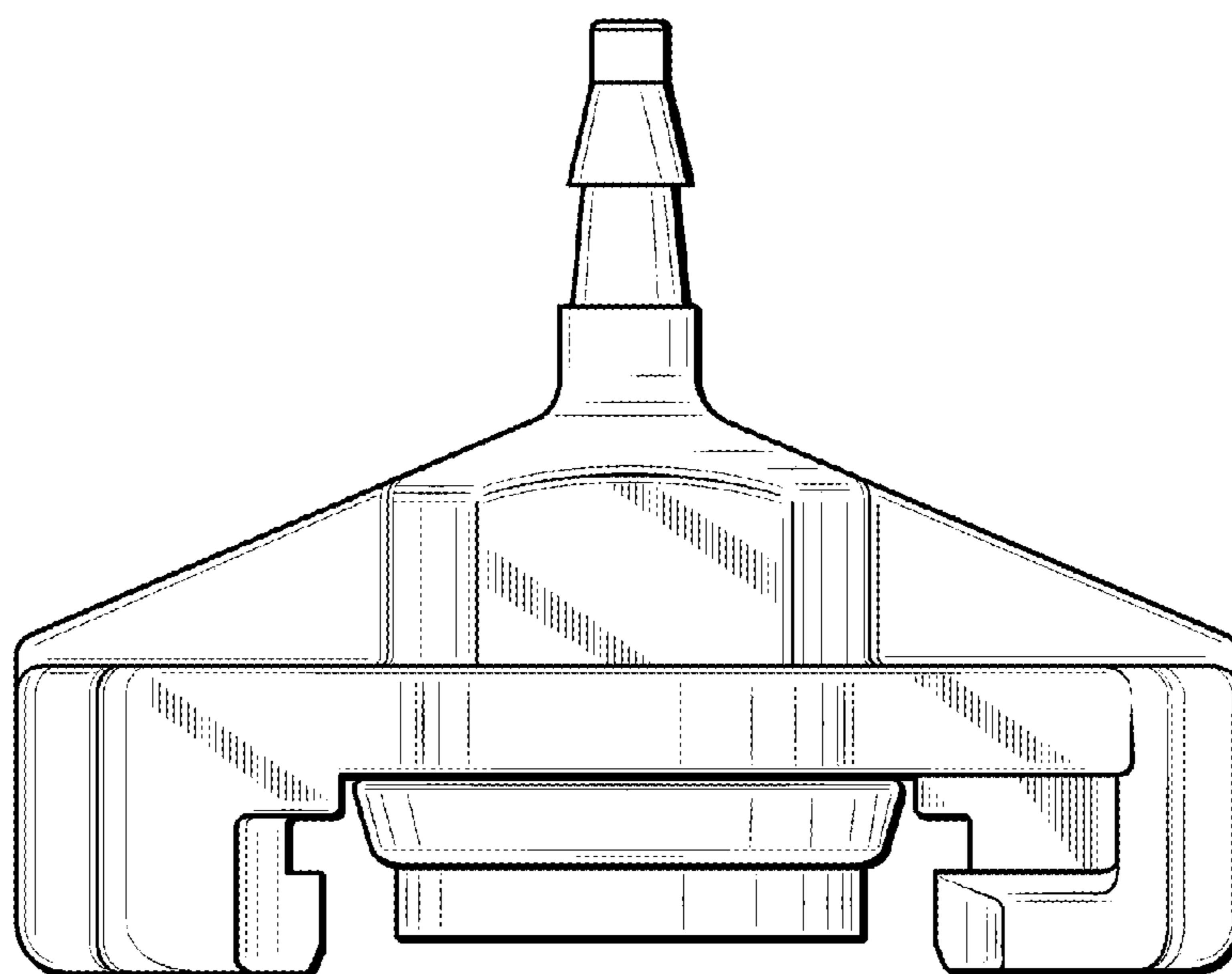


FIG. 2

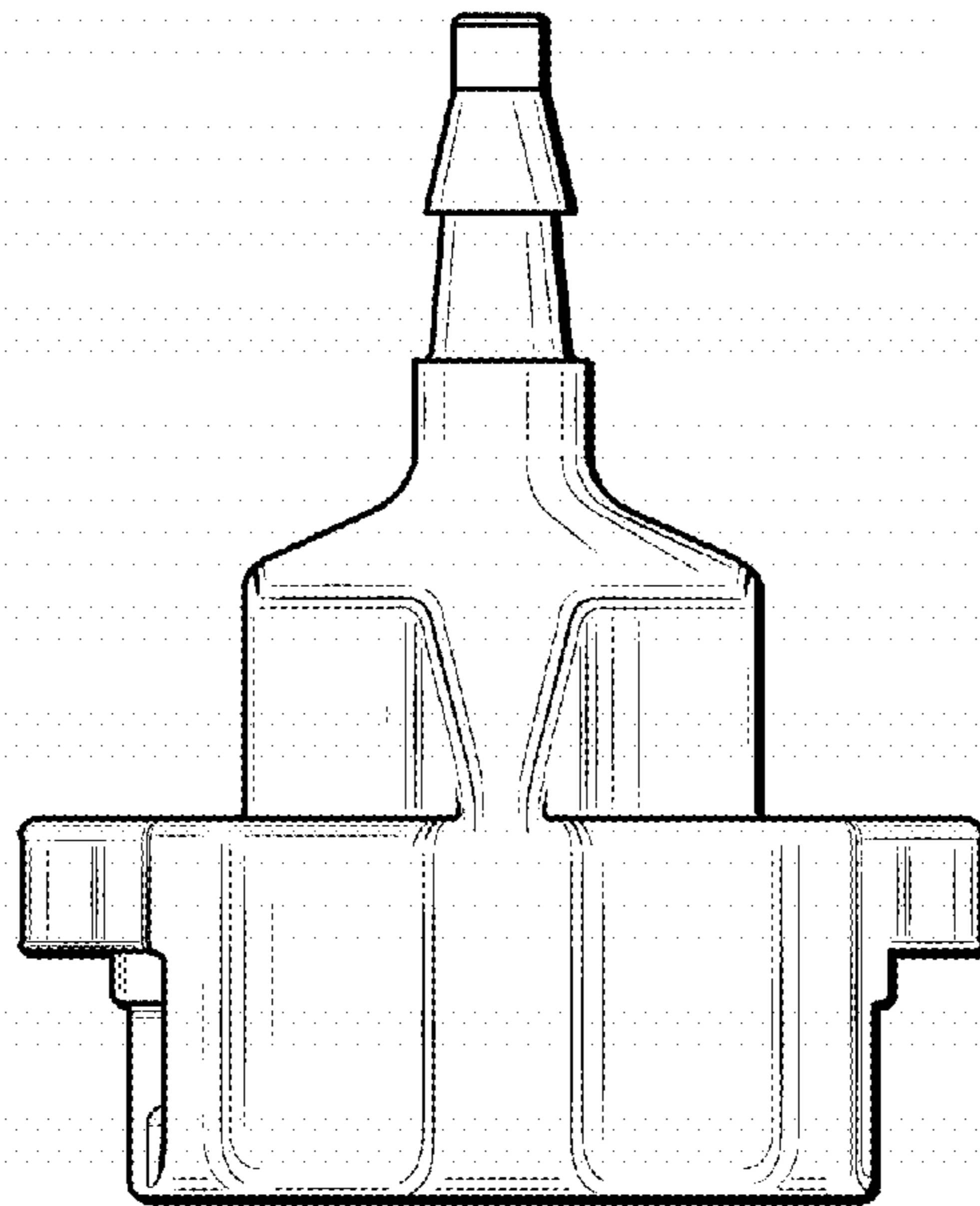


FIG. 3

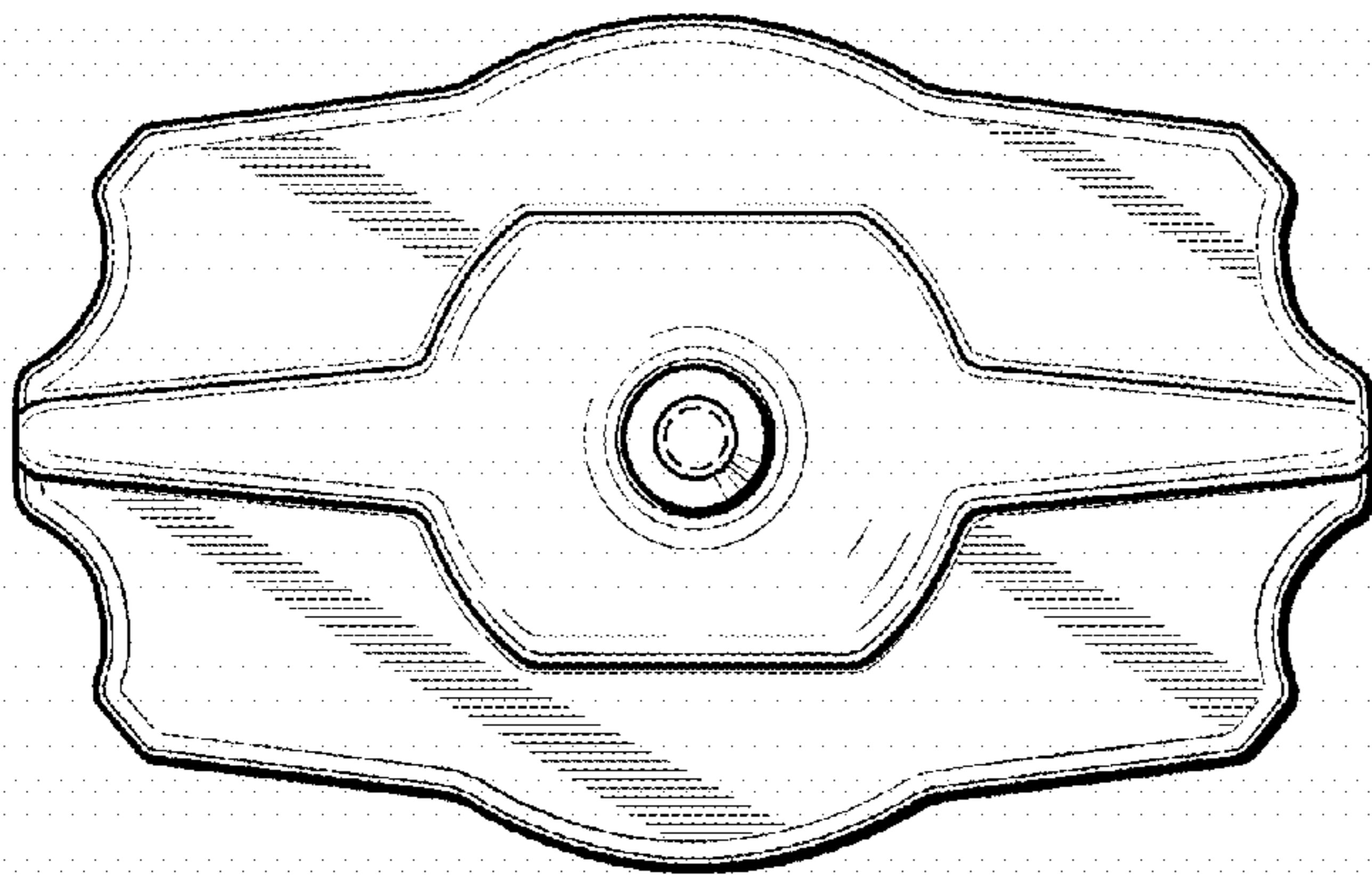


FIG. 4

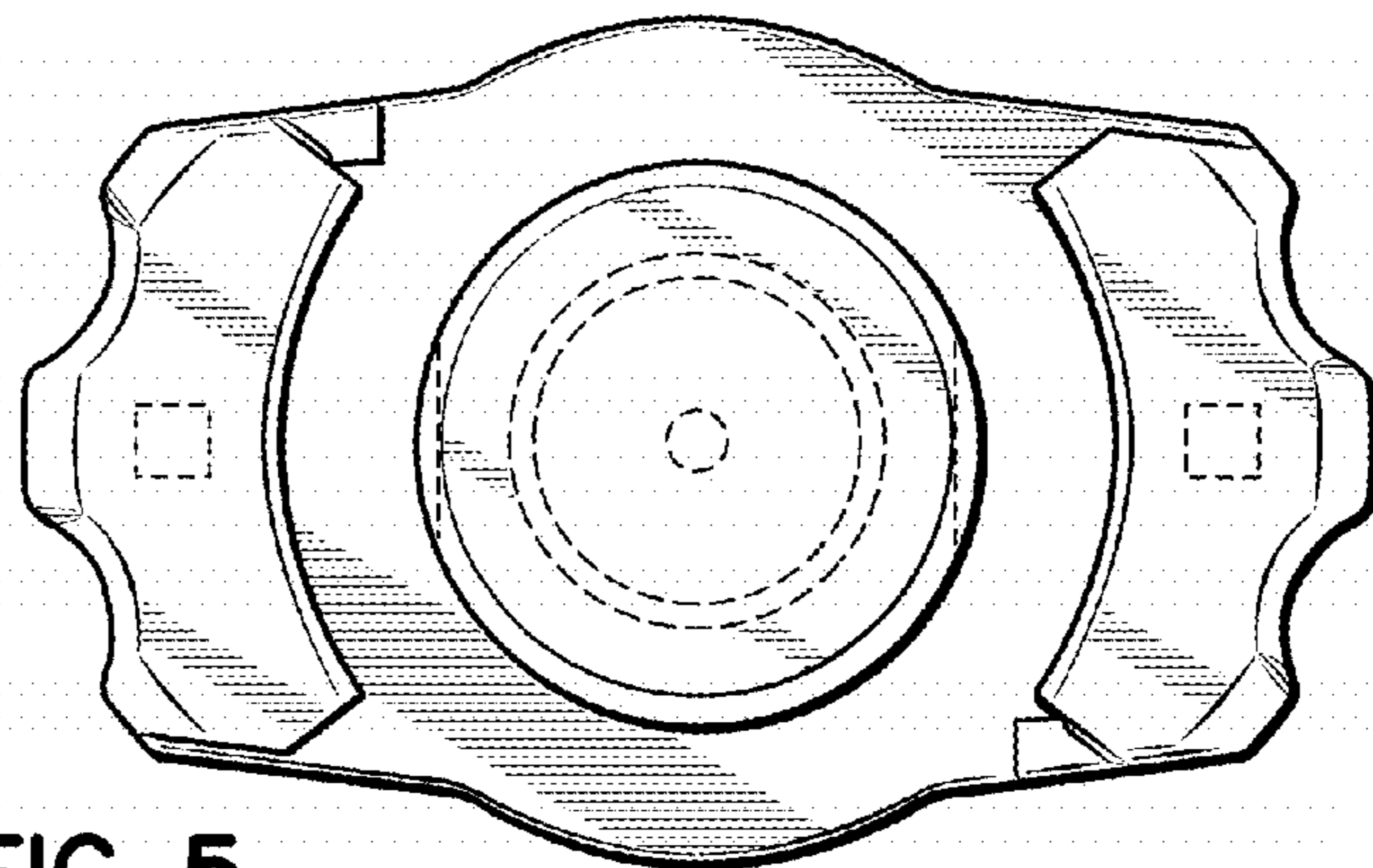


FIG. 5