



US00D685465S

(12) **United States Design Patent**
Reda

(10) **Patent No.:** **US D685,465 S**
(45) **Date of Patent:** **** Jul. 2, 2013**

(54) **MALE URINAL**

(75) Inventor: **Kareem Reda**, Edina, MN (US)

(73) Assignee: **Yunga Tart LLC**, Edina, MN (US)

(**) Term: **14 Years**

(21) Appl. No.: **29/417,588**

(22) Filed: **Apr. 5, 2012**

(51) **LOC (9) Cl.** **24-04**

(52) **U.S. Cl.**
USPC **D24/122**

(58) **Field of Classification Search**
USPC D24/121-123, 224, 117; D23/274,
D23/302, 295, 309, 200; 4/144.1-144.4,
4/459, 460; 604/329, 317, 318, 334; 600/573,
600/574; D7/700
See application file for complete search history.

(56) **References Cited**

U.S. PATENT DOCUMENTS

D248,168 S *	6/1978	Kelly	D24/122
D248,495 S *	7/1978	Nakao et al.	D24/117
D297,462 S *	8/1988	Meunchen	D24/122
D304,373 S *	10/1989	Floyd	D24/122
D357,979 S *	5/1995	Evans et al.	D24/122
D371,842 S *	7/1996	Pilsworth	D24/122
D389,240 S *	1/1998	Corona	D24/122
D390,657 S *	2/1998	Asta	D24/122
D399,308 S *	10/1998	Garlock	D24/122
D429,321 S *	8/2000	Gouget	D23/302

D430,655 S *	9/2000	Anderson	D23/302
D439,970 S *	4/2001	Fisher et al.	D24/121
D497,981 S *	11/2004	Call	D23/302

* cited by examiner

Primary Examiner — David Muller

(74) *Attorney, Agent, or Firm* — Westman, Champlin & Kelly, P.A.; Z. Peter Sawicki

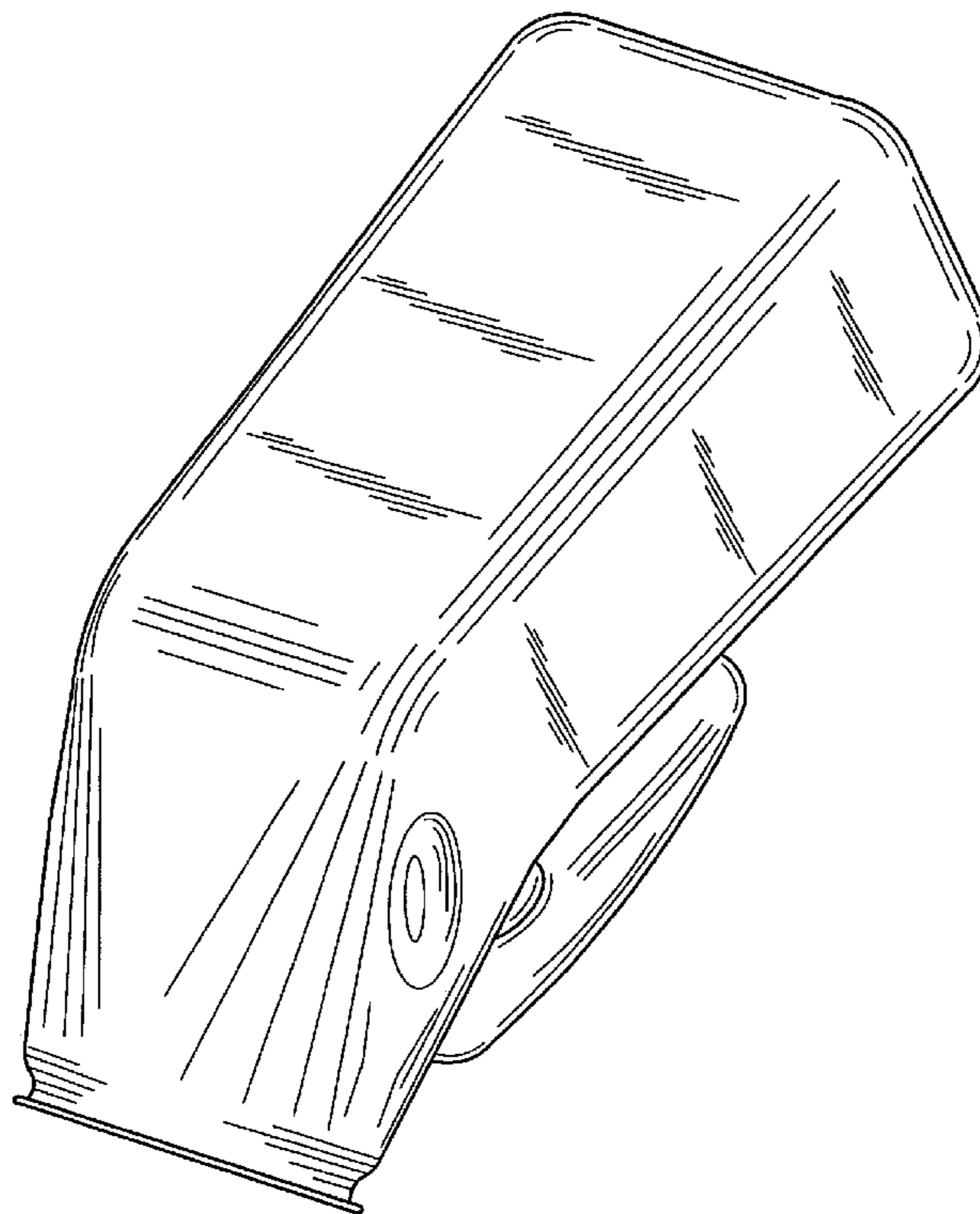
(57) **CLAIM**

The ornamental design for a male urinal, as shown and described.

DESCRIPTION

FIG. 1 is a perspective view of a male urinal;
FIG. 2 is a right side view thereof;
FIG. 3 is a left side view thereof;
FIG. 4 is a top view thereof;
FIG. 5 is a bottom view thereof;
FIG. 6 is a sectional view thereof take along the line 6-6 in FIG. 2;
FIG. 7 is a back view thereof;
FIG. 8 is a front view thereof;
FIG. 9 is a sectional view taken along the line 9-9 in FIG. 3; and,
FIG. 10 is a bottom view of a handle of the male urinal, the handle shown separately for ease of illustration.
The broken line showing of parts of the drawings is included for the purpose of illustrating use and environment and forms no part of the claimed design.

1 Claim, 10 Drawing Sheets



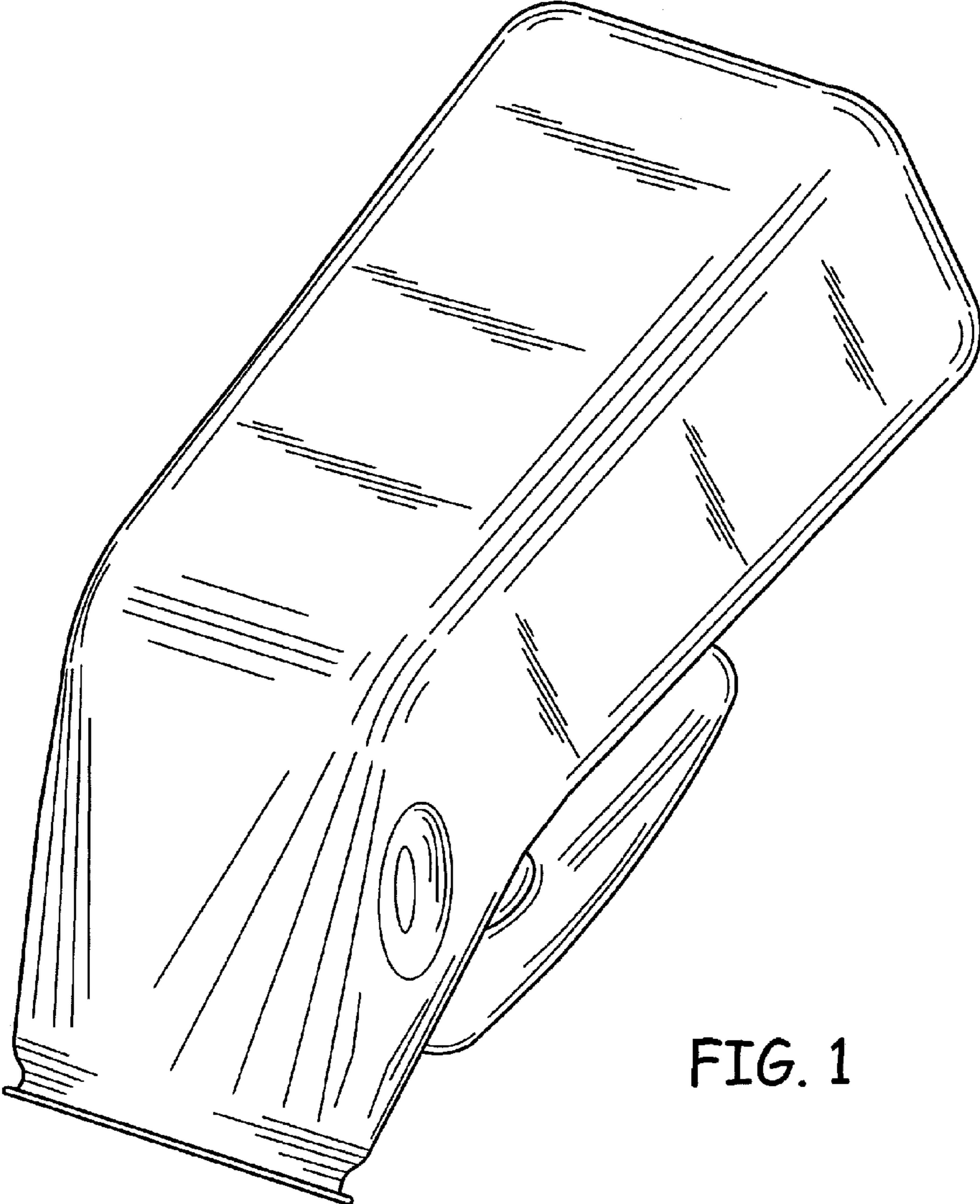


FIG. 1

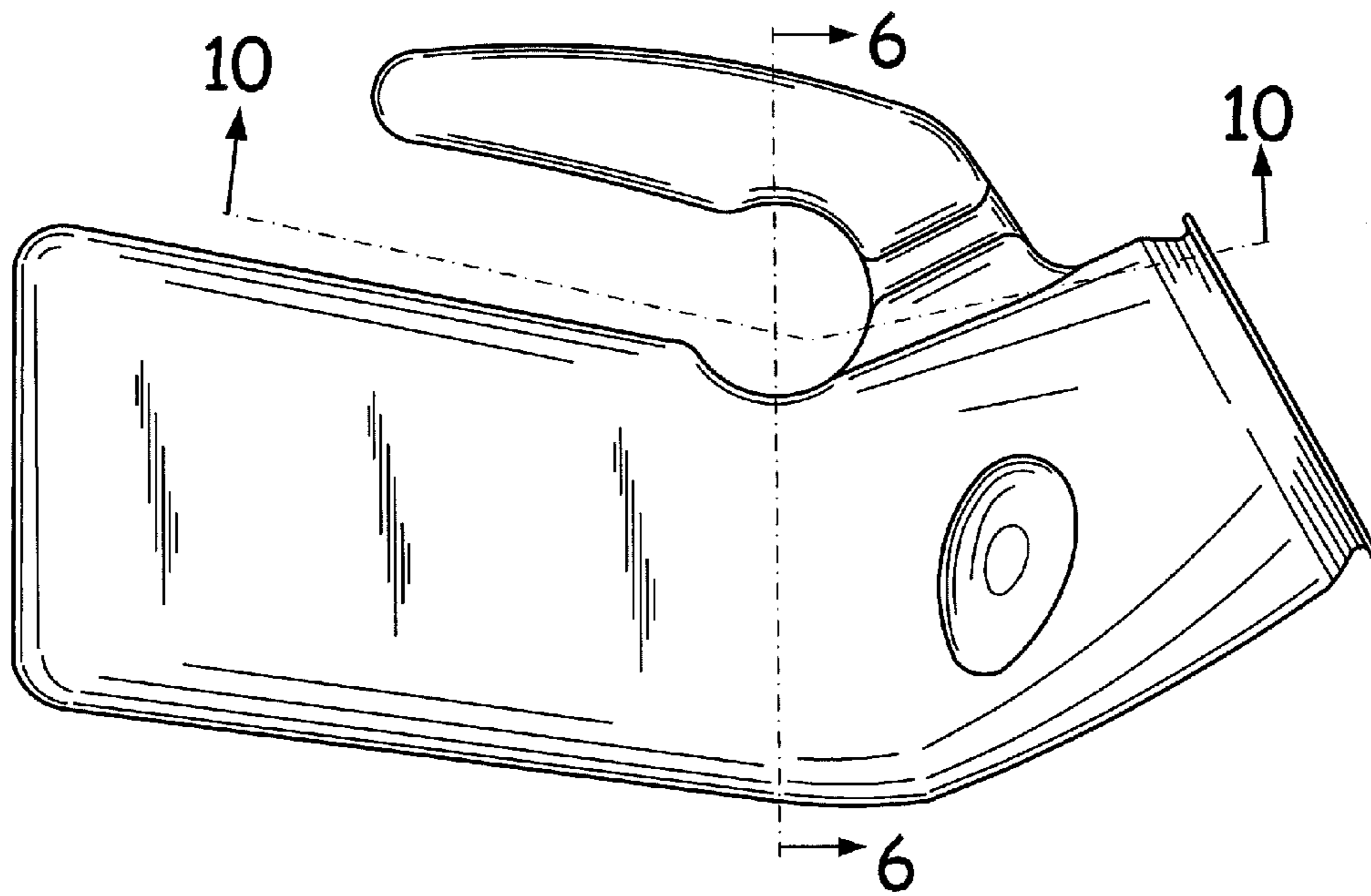


FIG. 2

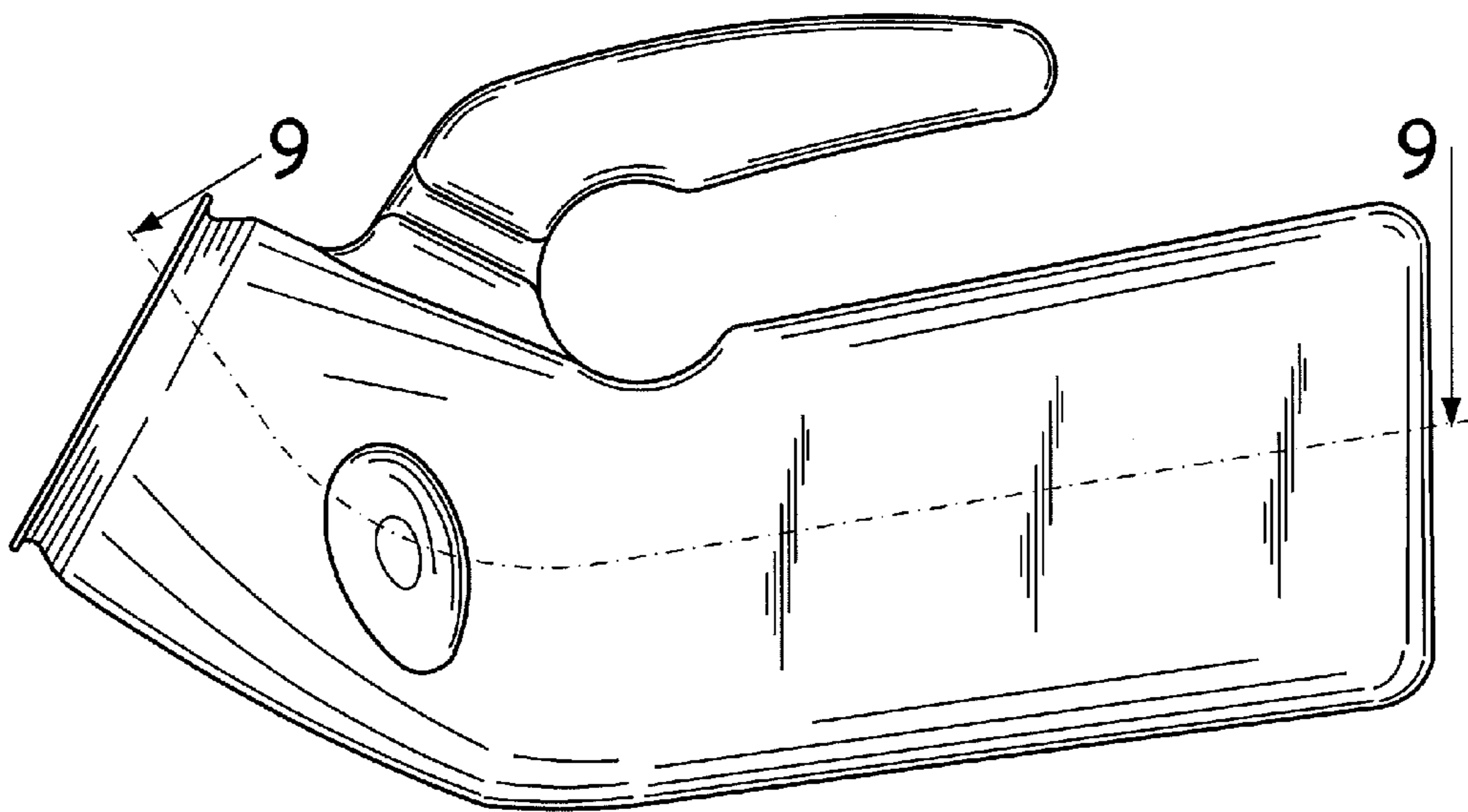


FIG. 3

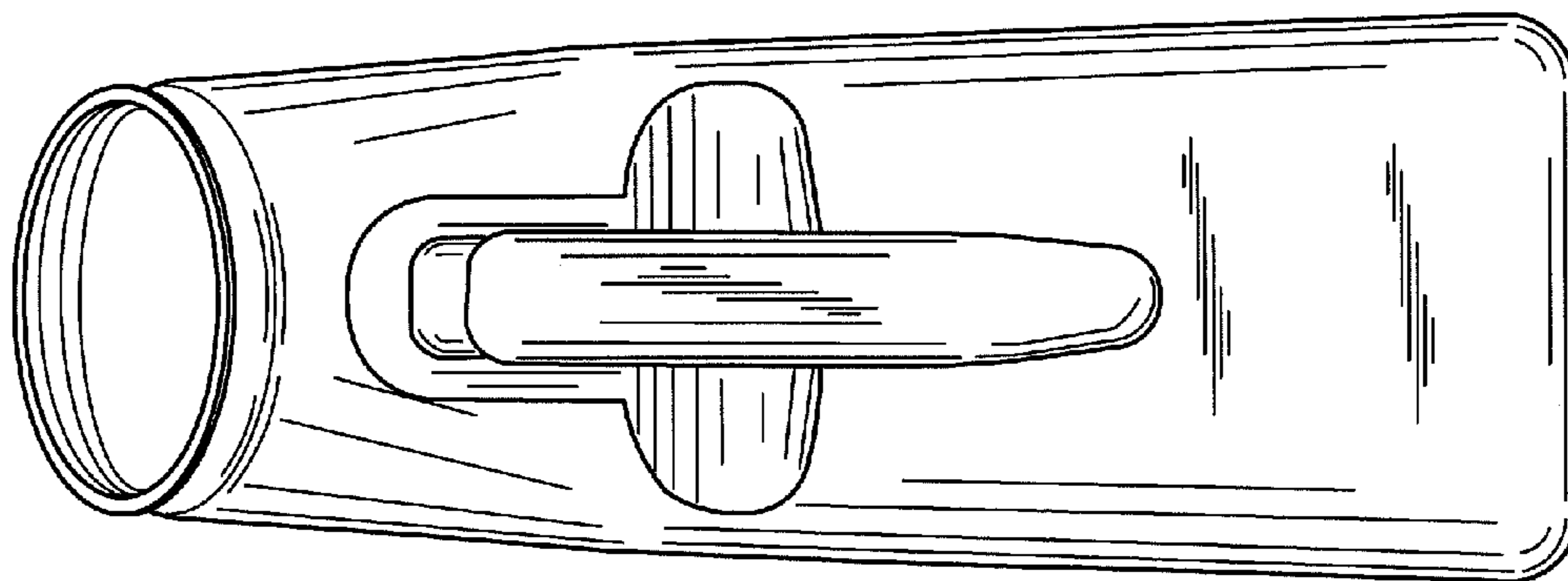


FIG. 4

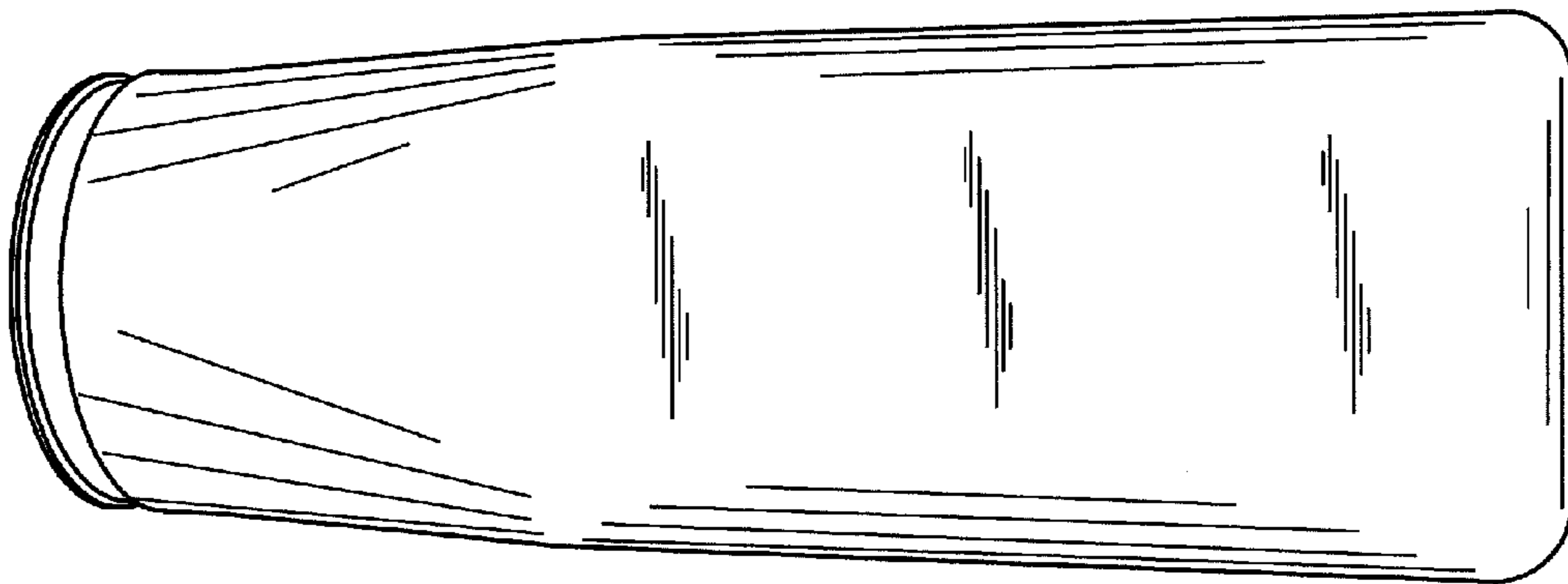


FIG. 5

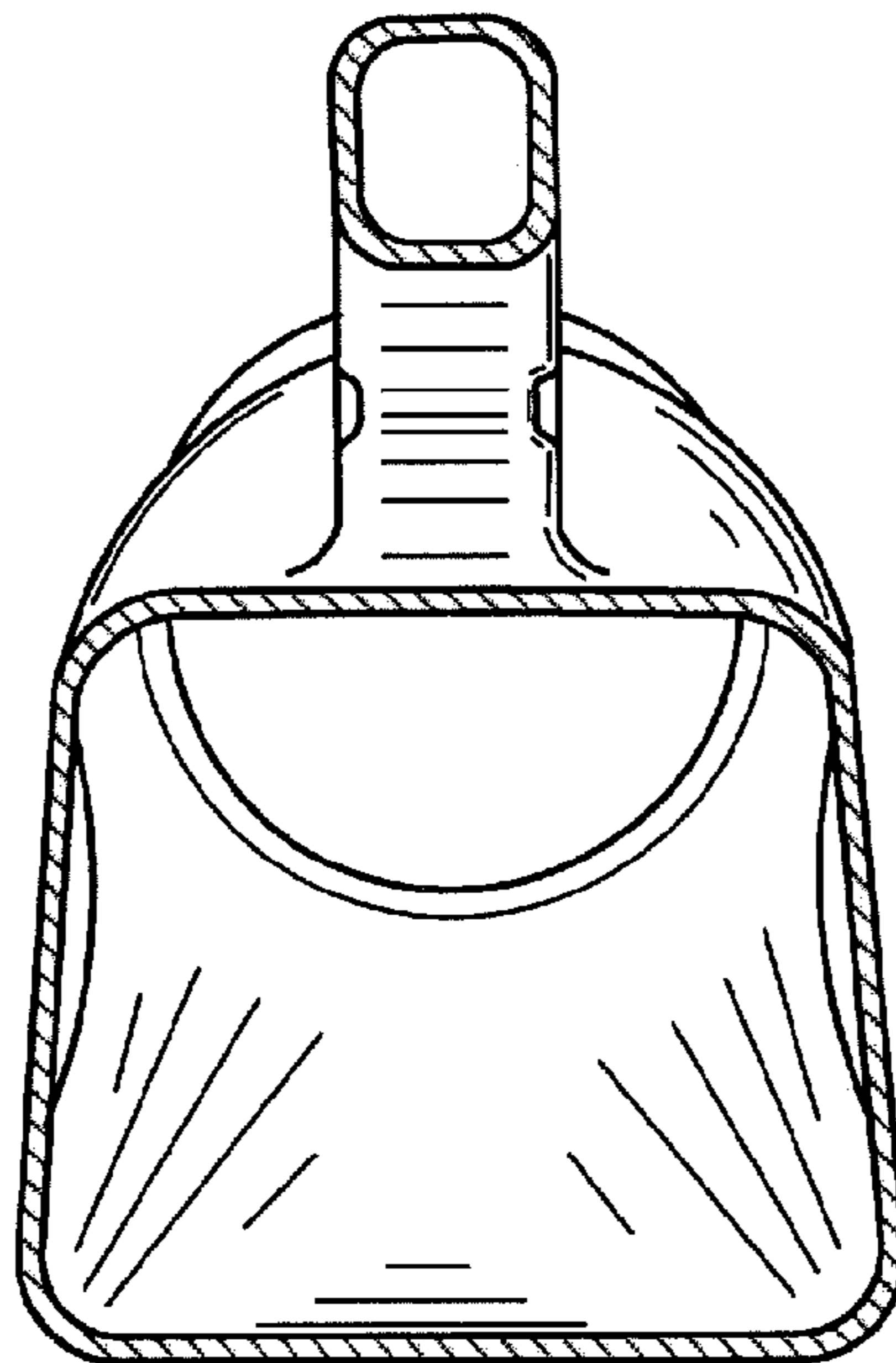


FIG. 6

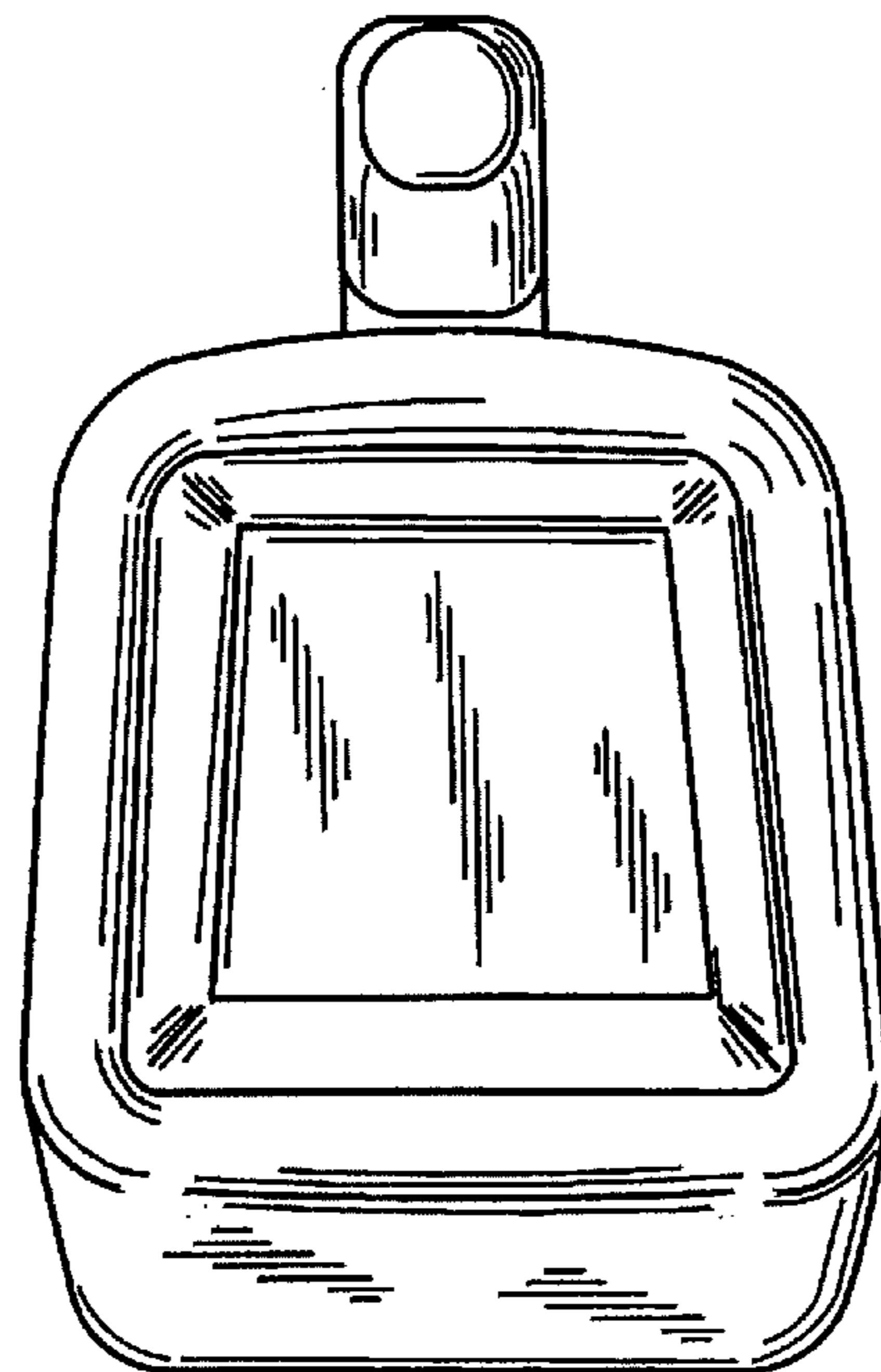


FIG. 7

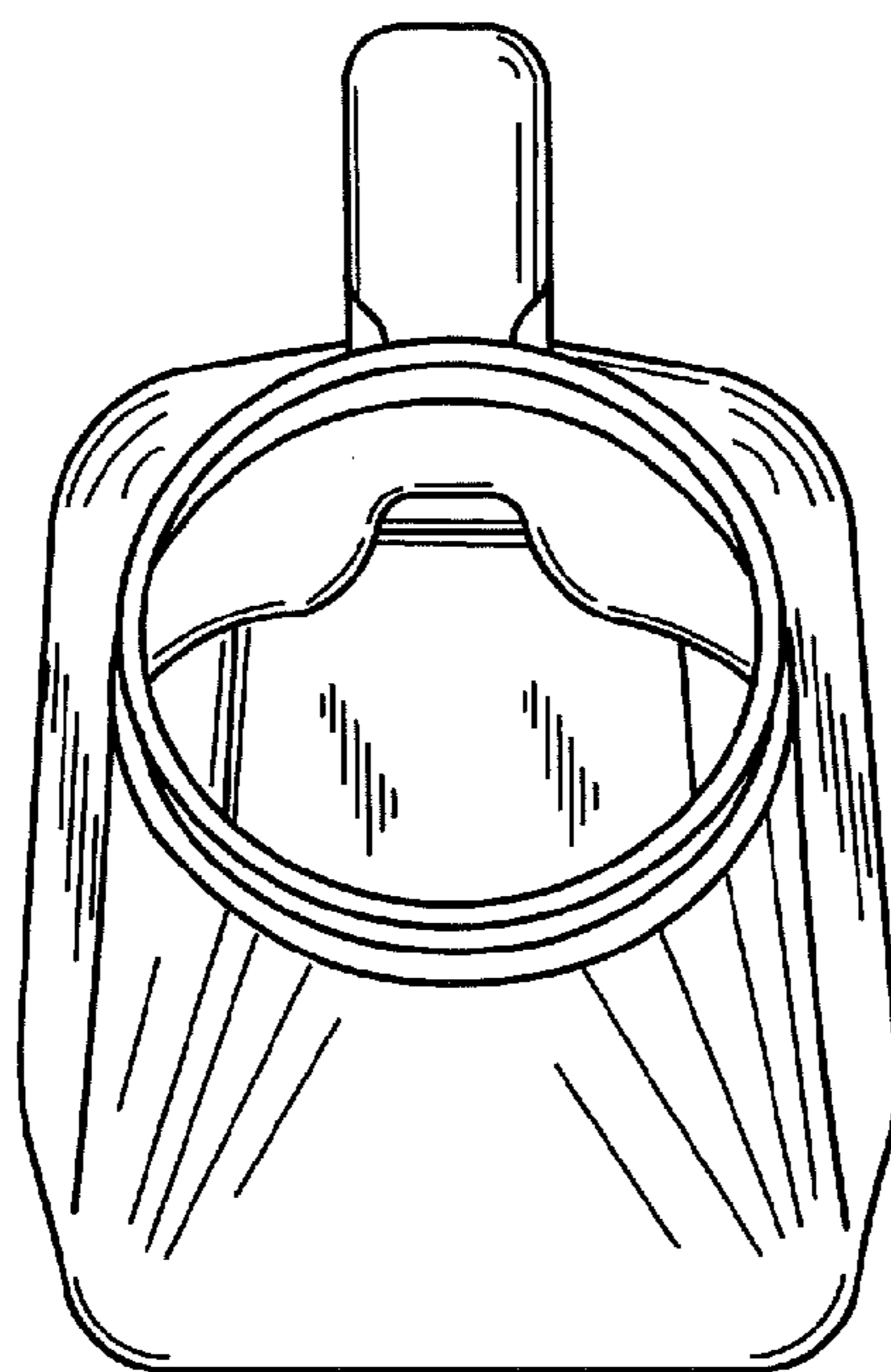


FIG. 8

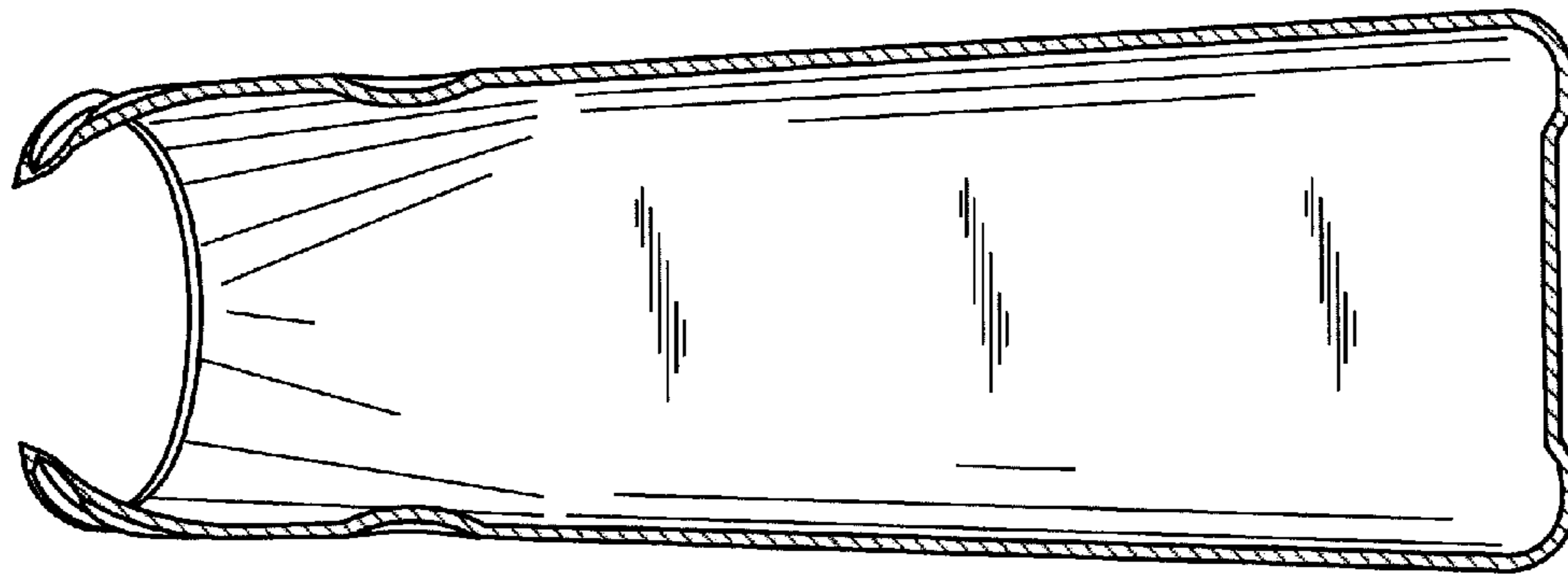


FIG. 9

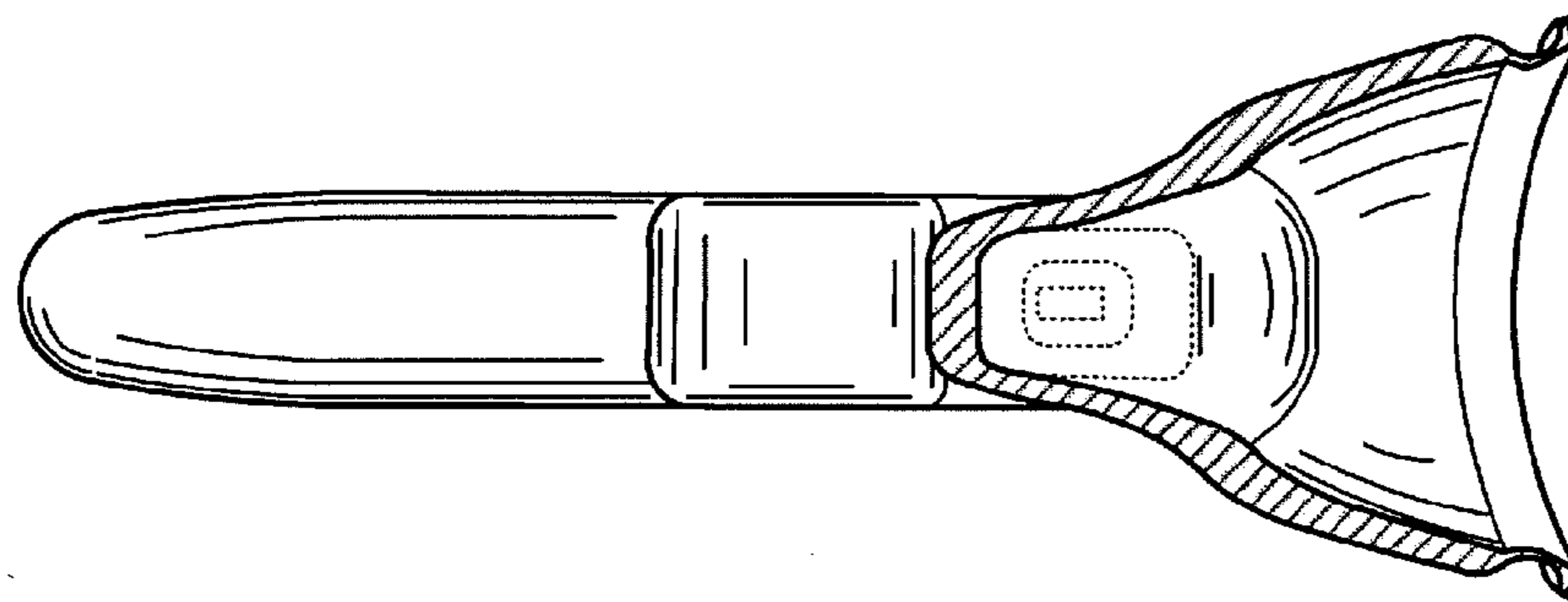


FIG. 10

UNITED STATES PATENT AND TRADEMARK OFFICE
CERTIFICATE OF CORRECTION

PATENT NO. : D685,465 S
APPLICATION NO. : 29/417588
DATED : July 2, 2013
INVENTOR(S) : Kareem Reda

Page 1 of 1

It is certified that error appears in the above-identified patent and that said Letters Patent is hereby corrected as shown below:

On the Title Page:

Item (57), In the Description, "FIG. 6" --take-- should be --taken--

Signed and Sealed this
Twenty-fourth Day of September, 2013



Teresa Stanek Rea
Deputy Director of the United States Patent and Trademark Office