

US00D685463S

(12) **United States Design Patent**
Veliss et al.

(10) **Patent No.:** **US D685,463 S**
(45) **Date of Patent:** **** Jul. 2, 2013**

(54) **RESPIRATORY MASK**

(56) **References Cited**

(75) Inventors: **Lee James Veliss**, Freshwater (AU);
Amal Shirley Amarasinghe, West
Pennant Hills (AU); **Angelene Marie**
Ozolins, Killara (AU); **Alicia Kristianne**
Wells, Narrabeen (AU); **Bart Jeremy**
Caffin, North Manly (AU); **Joshua**
Adam Gudiksen, Mortdale (AU);
Christopher James Smith, Ingleburn
(AU); **Carmel Therese Harrington**,
Coogee (AU); **Alison Ruth Norcott**,
Ultimo (AU); **Eric Siu**, Strathfield (AU);
Ian Fredrick Johnson, Pennant Hills
(AU); **Richard Sokolov**, Earlwood (AU)

U.S. PATENT DOCUMENTS

6,119,694	A	*	9/2000	Correa et al.	128/207.13
D485,905	S	*	1/2004	Moore et al.	D24/110.1
D542,912	S	*	5/2007	Gunaratnam et al.	D24/110.5
D586,907	S	*	2/2009	Judson et al.	D24/110.1
D648,846	S	*	11/2011	Omura et al.	D24/110.1
D650,064	S	*	12/2011	Gunaratnam et al.	D24/110
D665,494	S	*	8/2012	Stallard et al.	D24/110.1
D668,328	S	*	10/2012	Hill et al.	D24/110.4
D673,259	S	*	12/2012	Davidson et al.	D24/110
2005/0172969	A1	*	8/2005	Ging et al.	128/206.24
2009/0044808	A1	*	2/2009	Guney et al.	128/206.24

* cited by examiner

Primary Examiner — Richard E Chilcot
(74) *Attorney, Agent, or Firm* — Nixon & Vanderhye P.C.

(73) Assignee: **ResMed Limitd**, Bella Vista (AU)

(**) Term: **14 Years**

(21) Appl. No.: **29/371,591**

(22) Filed: **May 5, 2011**

(51) **LOC (9) Cl.** **29-02**

(52) **U.S. Cl.**
USPC **D24/110.1; D24/110.4**

(58) **Field of Classification Search**
USPC **D24/110.1–110.5, 164; 128/205.25,**
128/206.21–206.27, 207.11–207.17

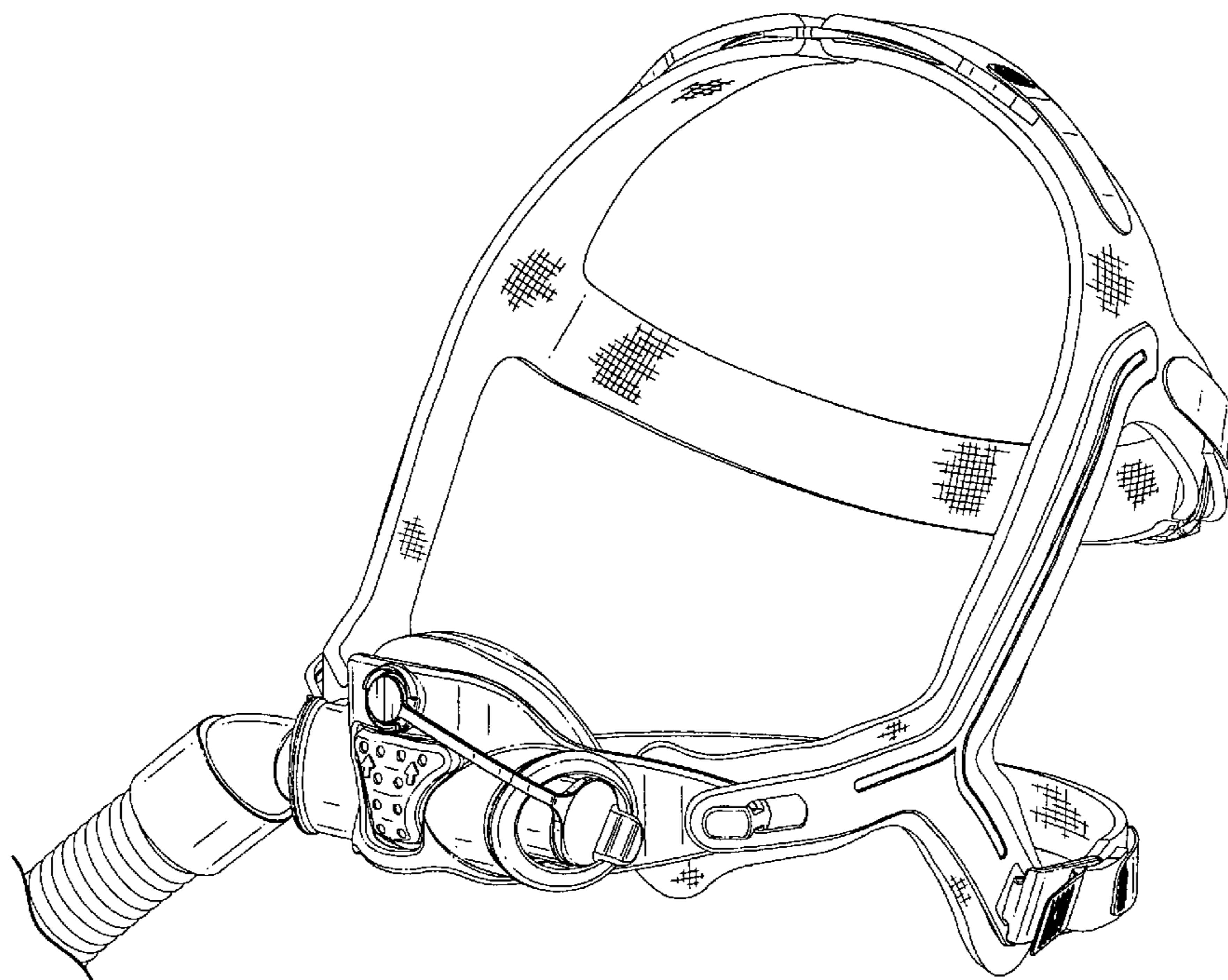
See application file for complete search history.

(57) **CLAIM**
The ornamental design for a respiratory mask, as shown.

DESCRIPTION

FIG. 1 is a front perspective view of a respiratory mask showing our new ornamental design;
FIG. 2 is a front view thereof;
FIG. 3 is a rear view thereof;
FIG. 4 is a top view thereof;
FIG. 5 is a bottom view thereof;
FIG. 6 is a left side view thereof; and,
FIG. 7 is a right side view thereof.

1 Claim, 7 Drawing Sheets



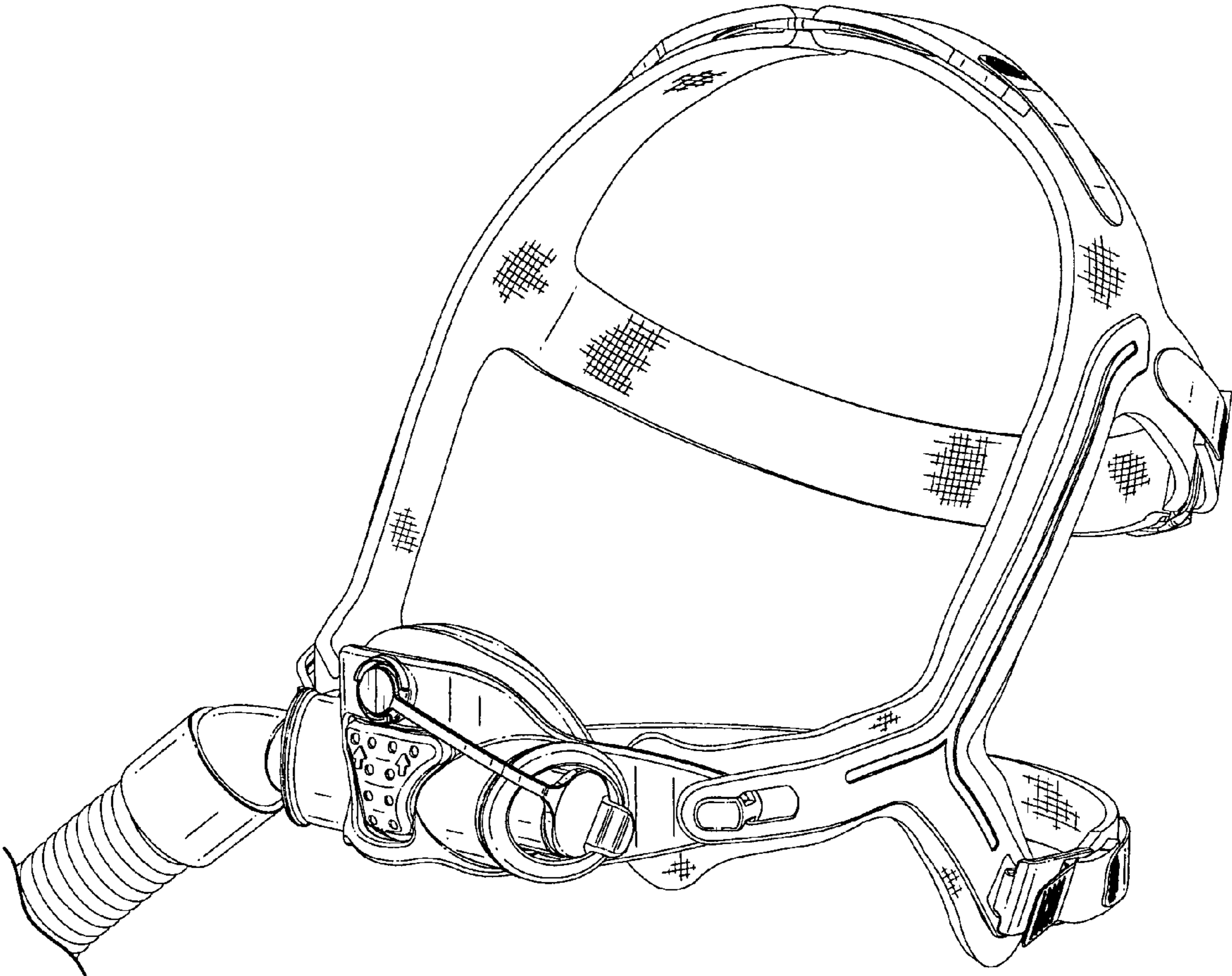


Figure 1

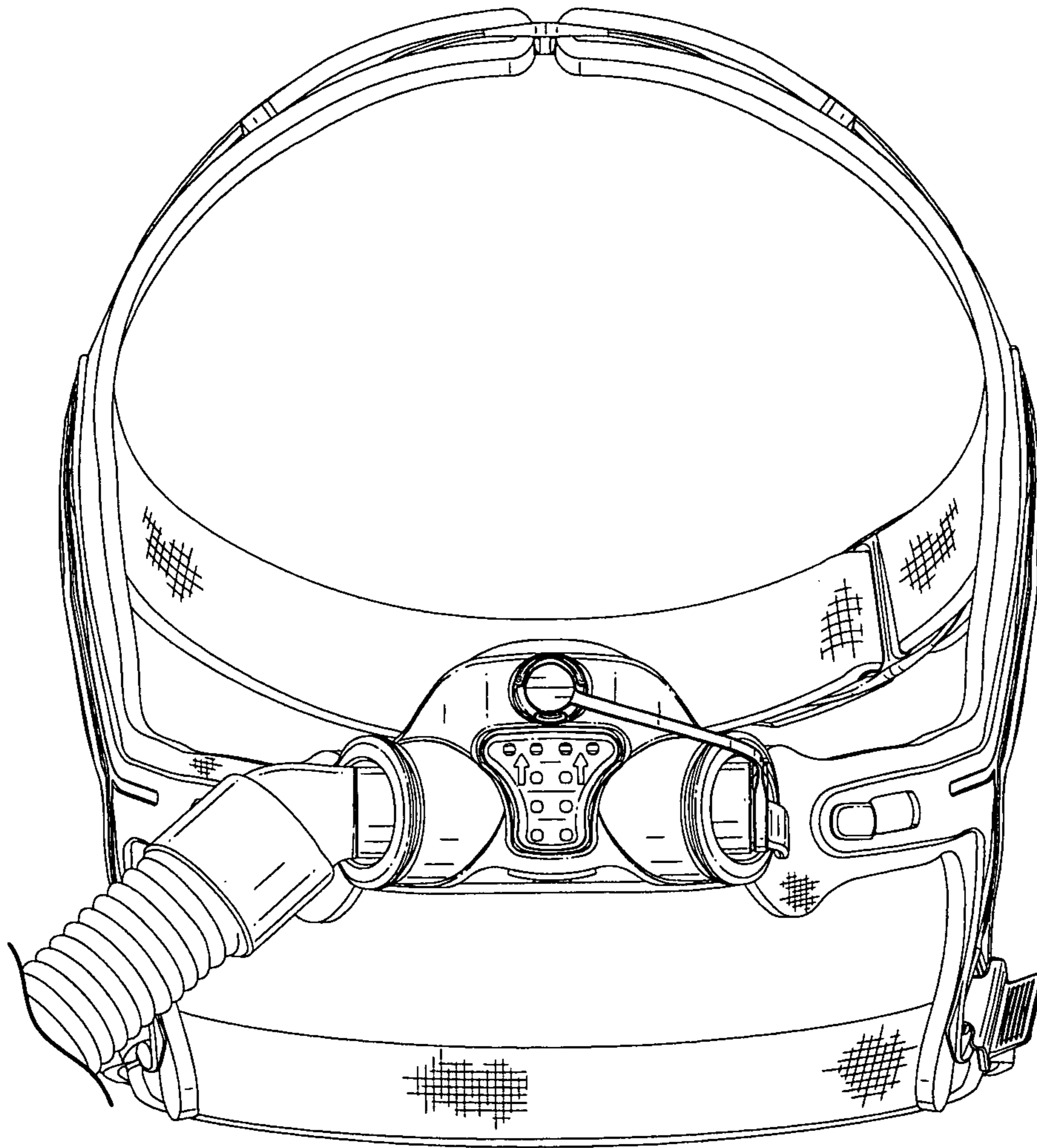


Figure 2

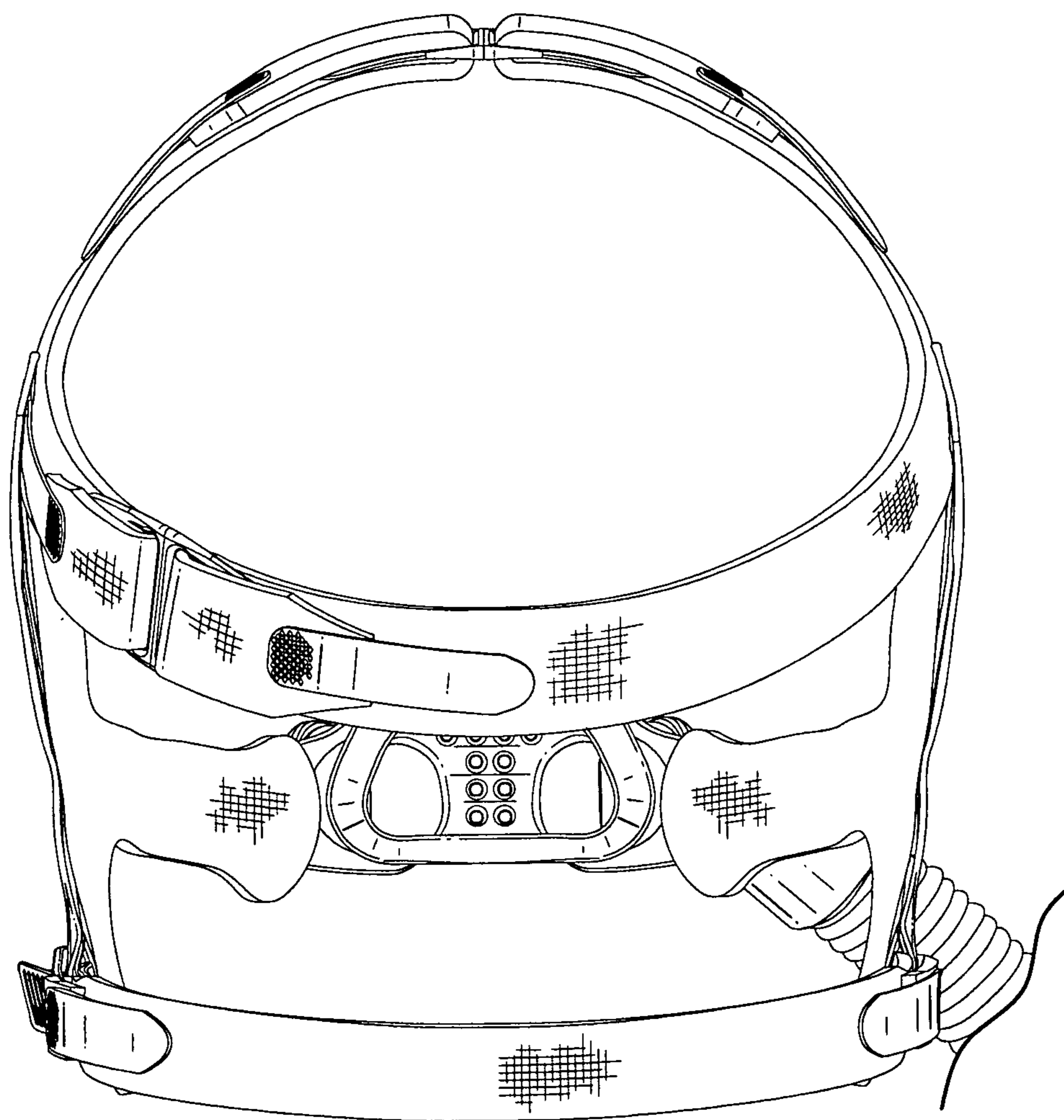


Figure 3

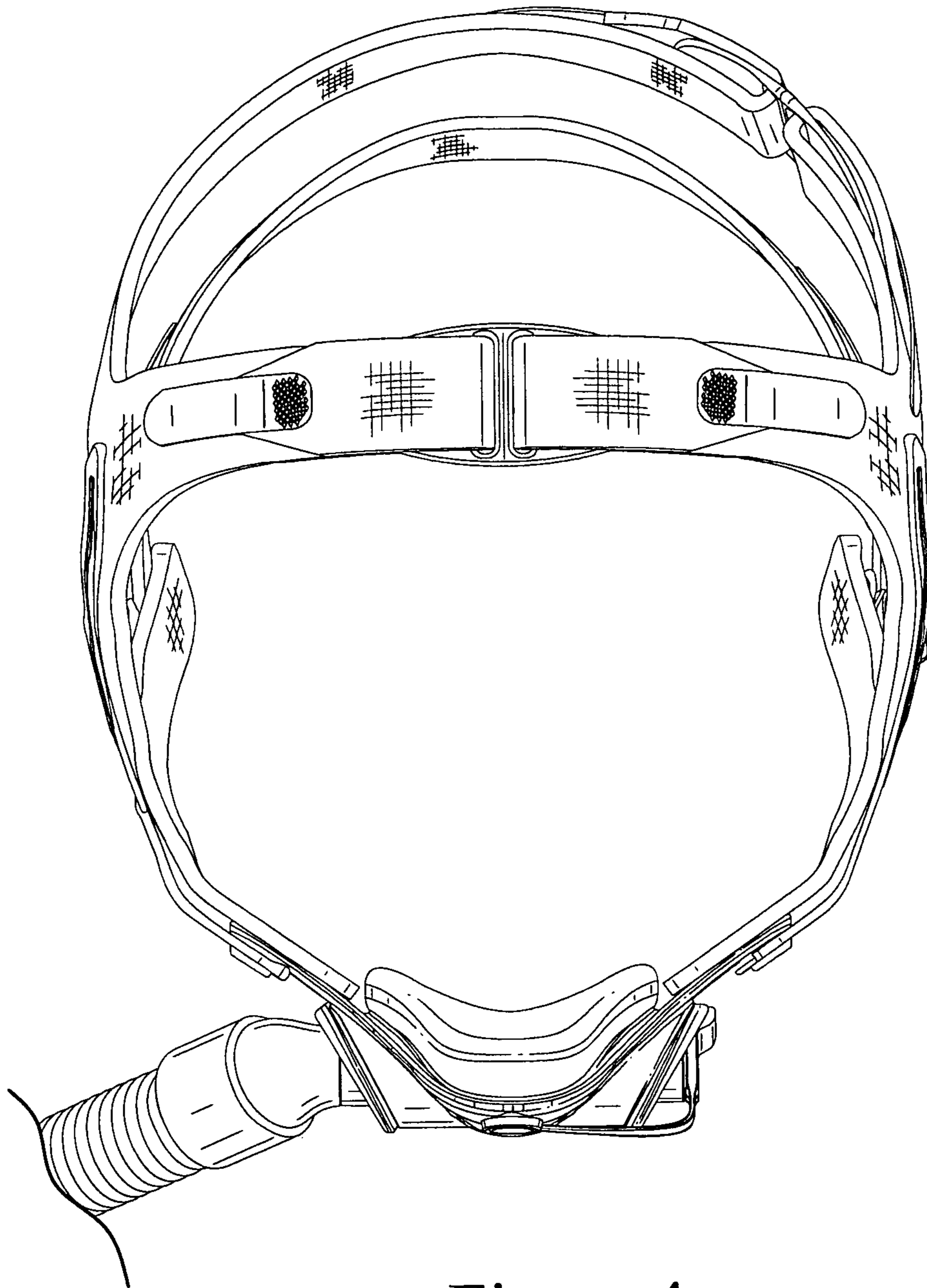


Figure 4

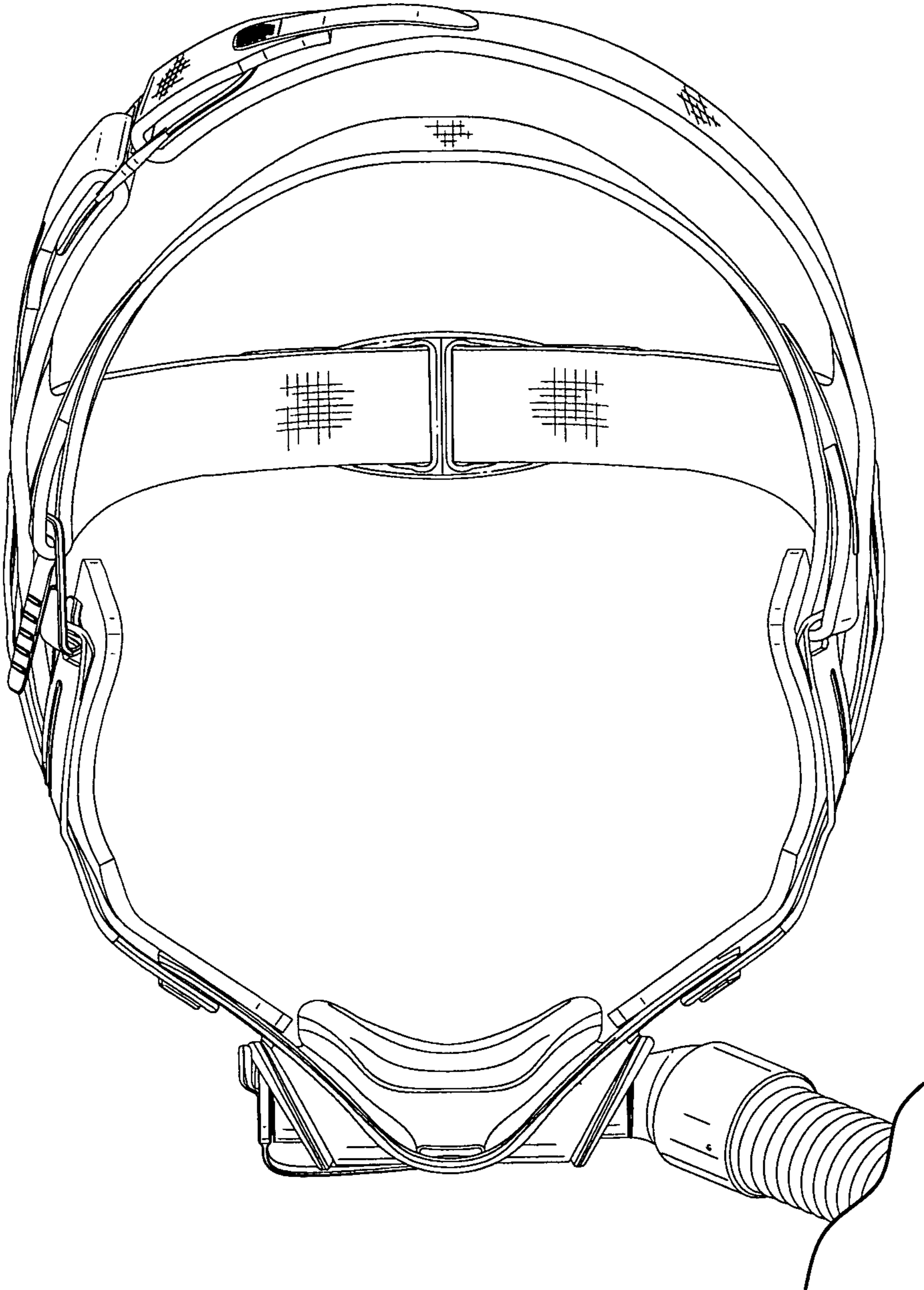


Figure 5

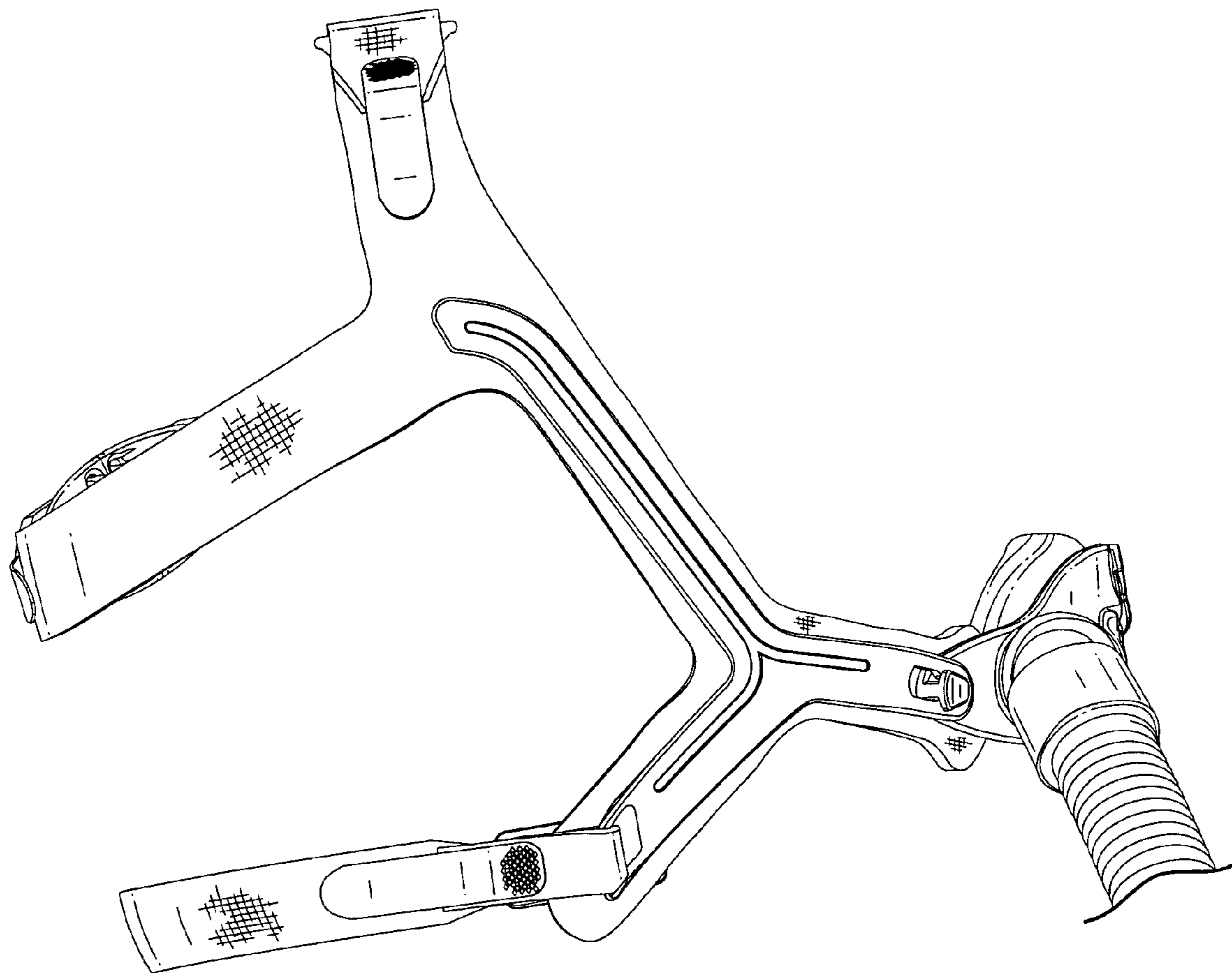


Figure 6

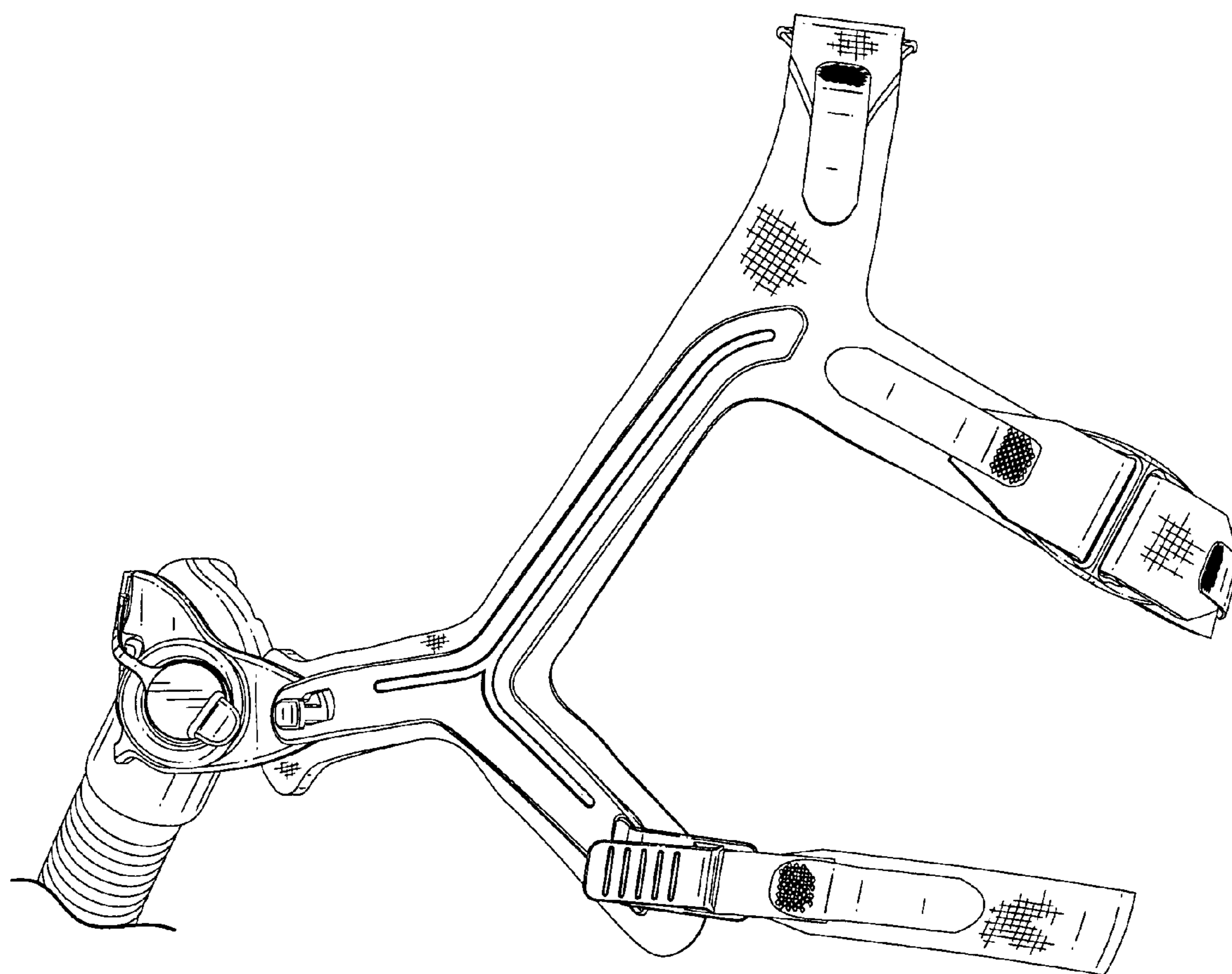


Figure 7