



US00D685456S

(12) **United States Design Patent**
Eckhaus

(10) **Patent No.:** **US D685,456 S**
(45) **Date of Patent:** **** Jul. 2, 2013**

(54) **REVERSIBLE SINK FACADE**

(71) Applicant: **Efraim Eckhaus**, West Haven, CT (US)

(72) Inventor: **Efraim Eckhaus**, West Haven, CT (US)

(**) Term: **14 Years**

(21) Appl. No.: **29/437,182**

(22) Filed: **Nov. 14, 2012**

(51) **LOC (9) Cl.** **23-02**

(52) **U.S. Cl.**
USPC **D23/308**

(58) **Field of Classification Search**
USPC .. D23/284–288, 290–293.1, 303, 308; 4/619,
4/639–640, 642

See application file for complete search history.

(56) **References Cited**

U.S. PATENT DOCUMENTS

D281,038 S	*	10/1985	Thorpe	D6/445
6,154,895 A	*	12/2000	Pisklak	4/660
D603,946 S		11/2009	Eckhaus		
D620,091 S		7/2010	Eckhaus		
D620,092 S		7/2010	Eckhaus		
D620,093 S		7/2010	Eckhaus		
D624,635 S		9/2010	Eckhaus		

D624,636 S	9/2010	Eckhaus	
D627,449 S	11/2010	Eckhaus	
8,096,678 B2 *	1/2012	Jones et al. 362/234

* cited by examiner

Primary Examiner — Robert Delehanty
(74) *Attorney, Agent, or Firm* — Wiggin and Dana LLP;
Gregory S. Rosenblatt

(57) **CLAIM**

The ornamental design for a reversible sink facade, as shown and described.

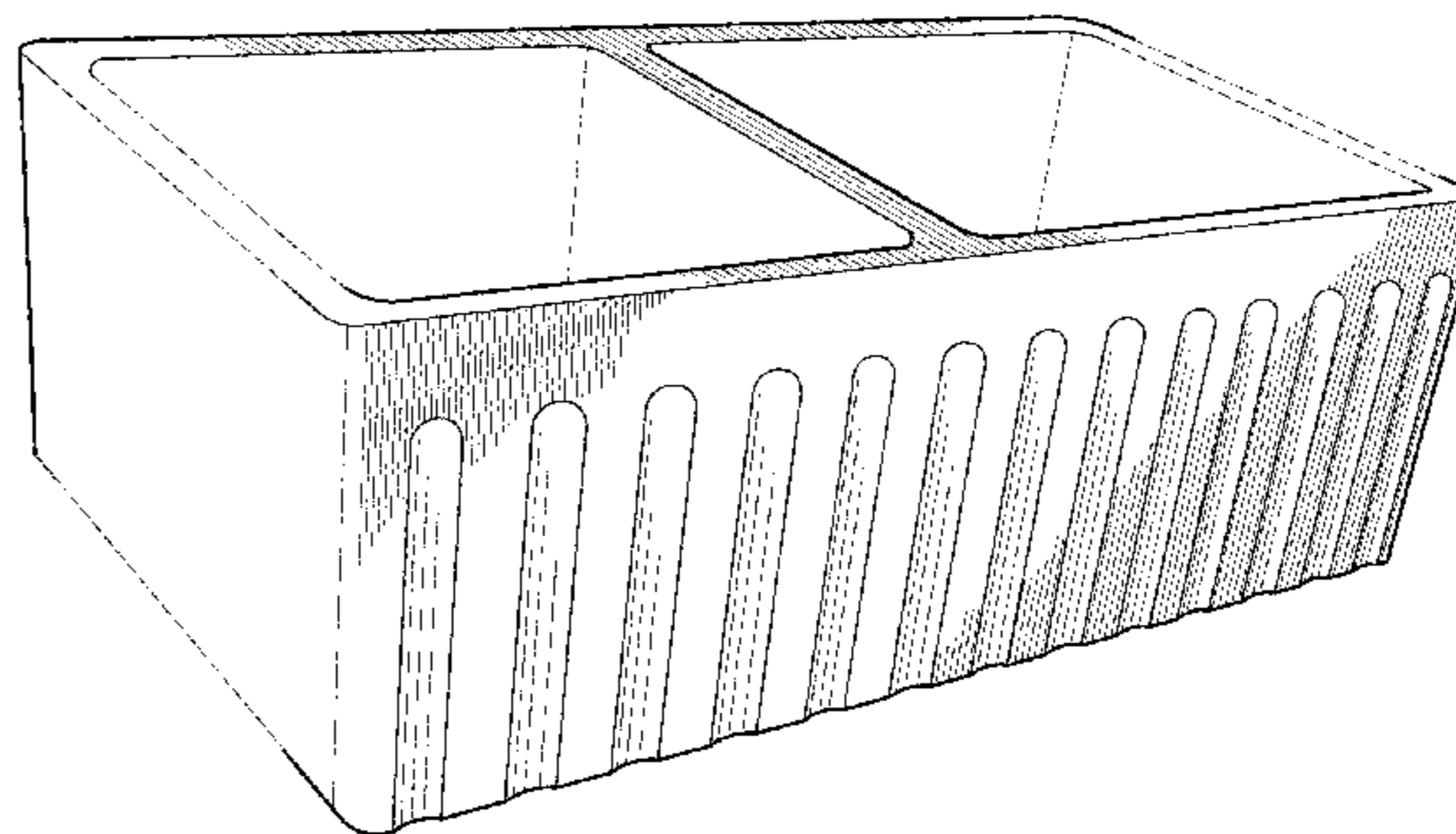
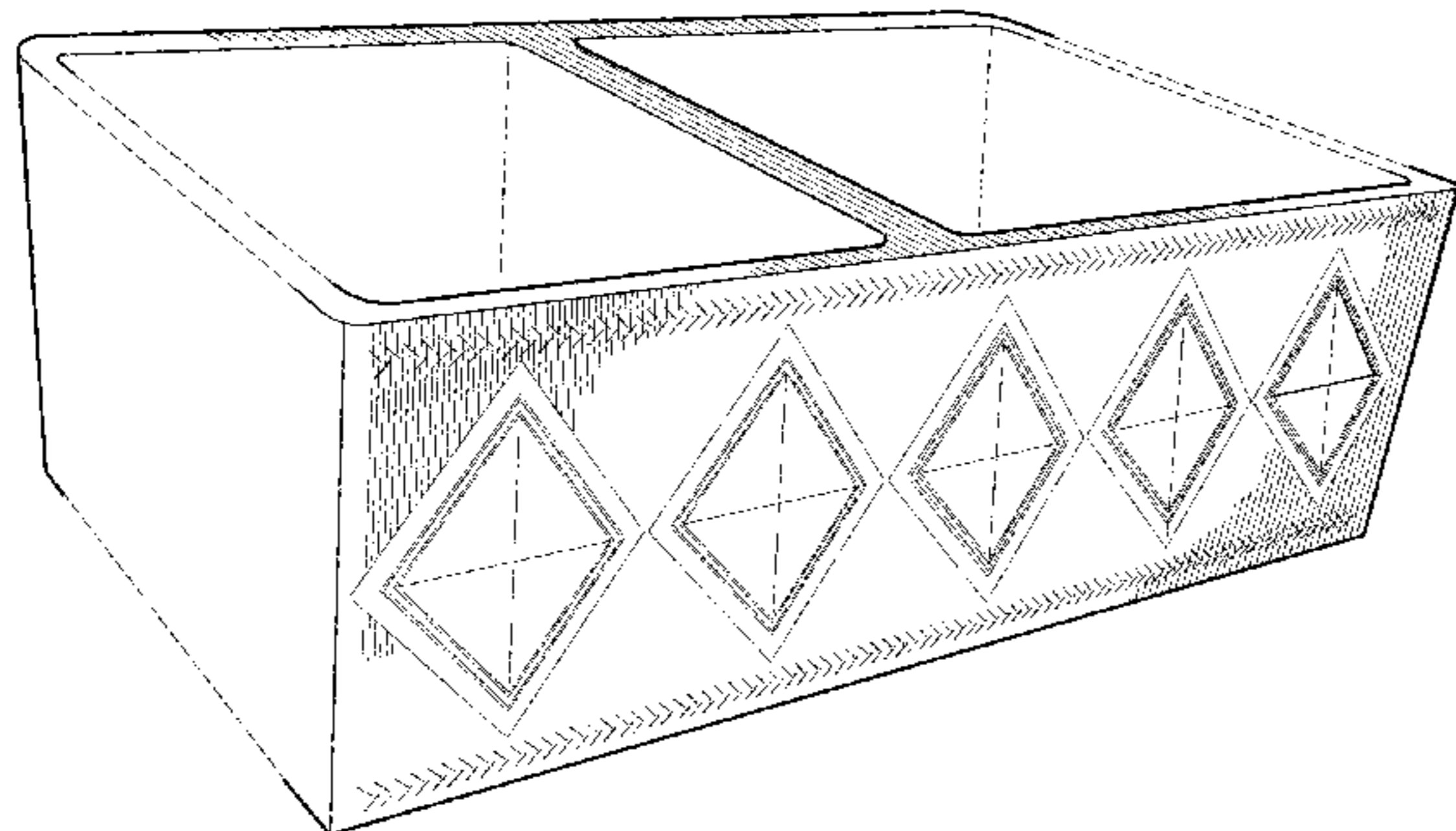
DESCRIPTION

FIG. 1 is a front perspective view of a new double bowl sink showing a façade design at a first side of the double bowl sink; and,

FIG. 2 is a rear perspective view of the new double bowl sink design seen in FIG. 1 showing a façade design at a second side of the double bowl sink.

The broken line portions of the sink represent the bounds of the claimed design and form no part of the claimed design. The side portions that interconnect the first side and the second side of the sink are flat and devoid of surface ornamentation and form no part of the claimed design. The bottom of the sink is flat and devoid of surface ornamentation and forms not part of the claimed design.

1 Claim, 2 Drawing Sheets



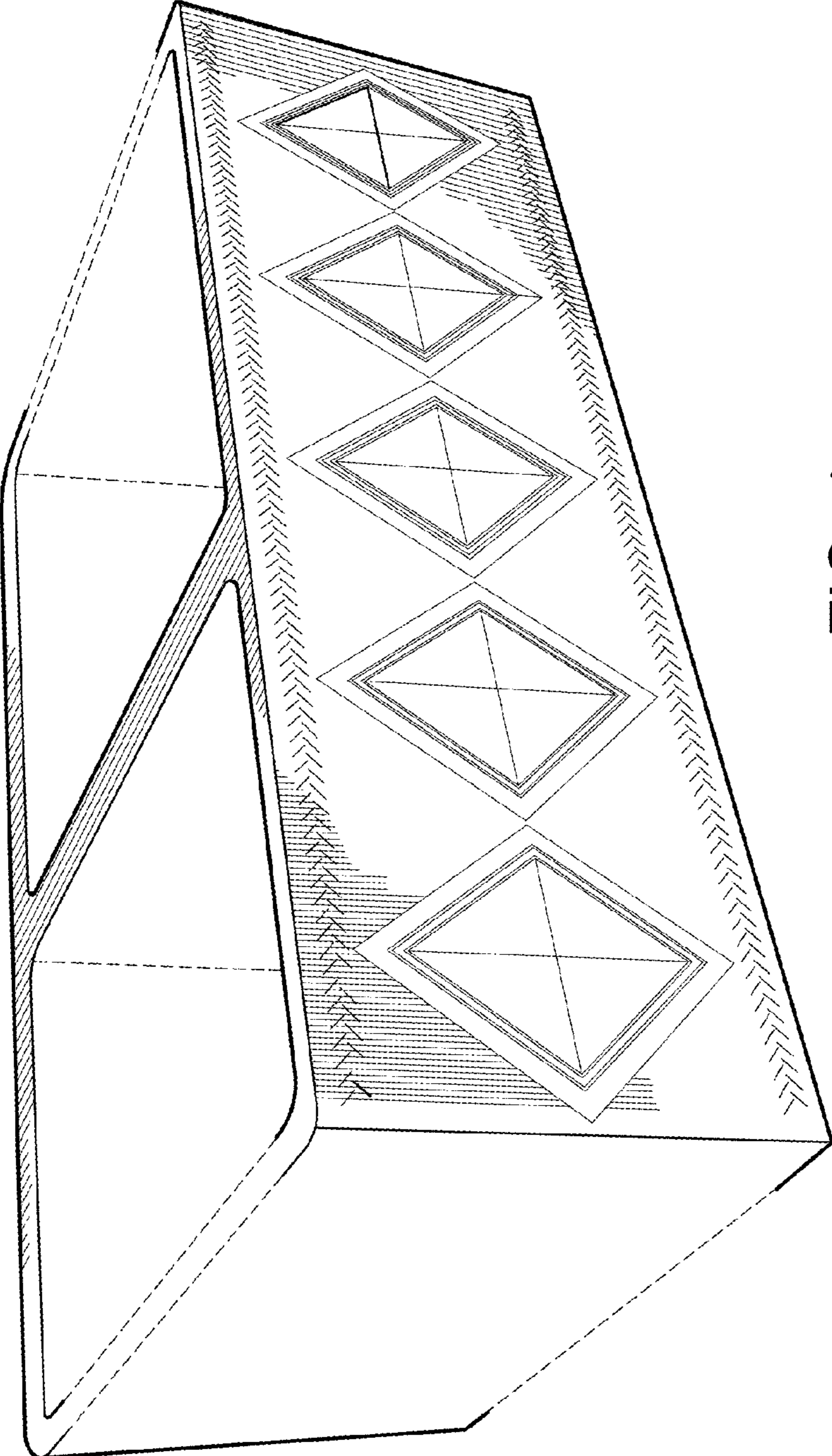


FIG. 1

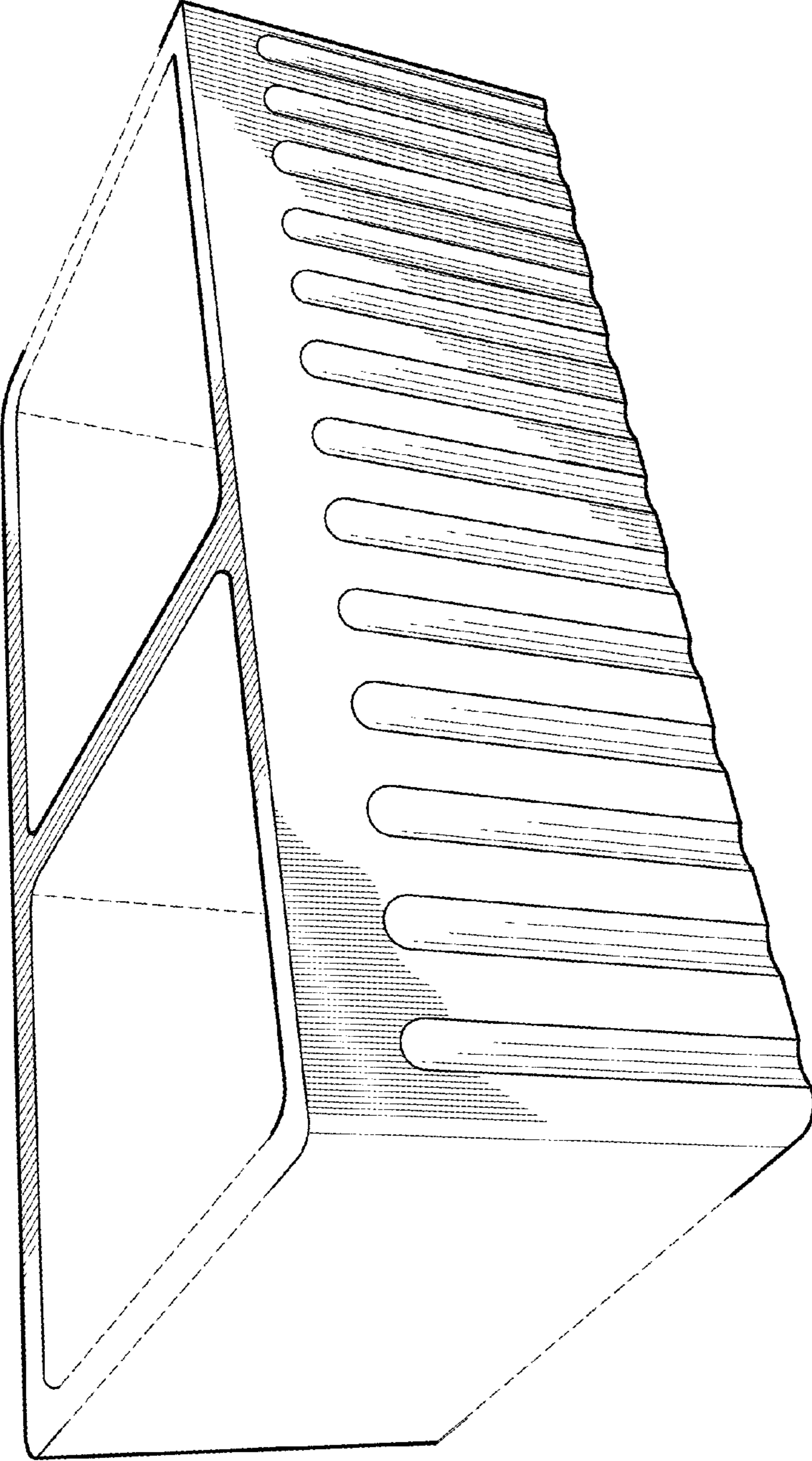


FIG. 2