



US00D685455S

(12) **United States Design Patent**
Kiser

(10) **Patent No.:** **US D685,455 S**

(45) **Date of Patent:** **** Jul. 2, 2013**

(54) **ERGONOMIC HAIR WASHING BASIN**

(76) Inventor: **Nicole Kiser**, Franksville, WI (US)

(**) Term: **14 Years**

(21) Appl. No.: **29/415,078**

(22) Filed: **Mar. 7, 2012**

(51) **LOC (9) Cl.** **23-02**

(52) **U.S. Cl.**
USPC **D23/289**

(58) **Field of Classification Search**
USPC D23/284, 286, 289, 308; 4/516, 515,
4/517, 519, 619, 553; D32/53
See application file for complete search history.

(56) **References Cited**

U.S. PATENT DOCUMENTS

2,194,804	A	*	3/1940	Mayhew	4/519
4,024,590	A		5/1977	Wendt		
D251,202	S	*	2/1979	Charewicz	D23/289
4,587,680	A		5/1986	Brugger		

D339,436	S	*	9/1993	Craft et al.	D32/53
D465,887	S	*	11/2002	Begnani	D32/53
8,117,689	B2		2/2012	Slayton		
D674,482	S	*	1/2013	Wurapa	D24/121
2002/0053821	A1		5/2002	Ishimura		

* cited by examiner

Primary Examiner — Robert Delehanty

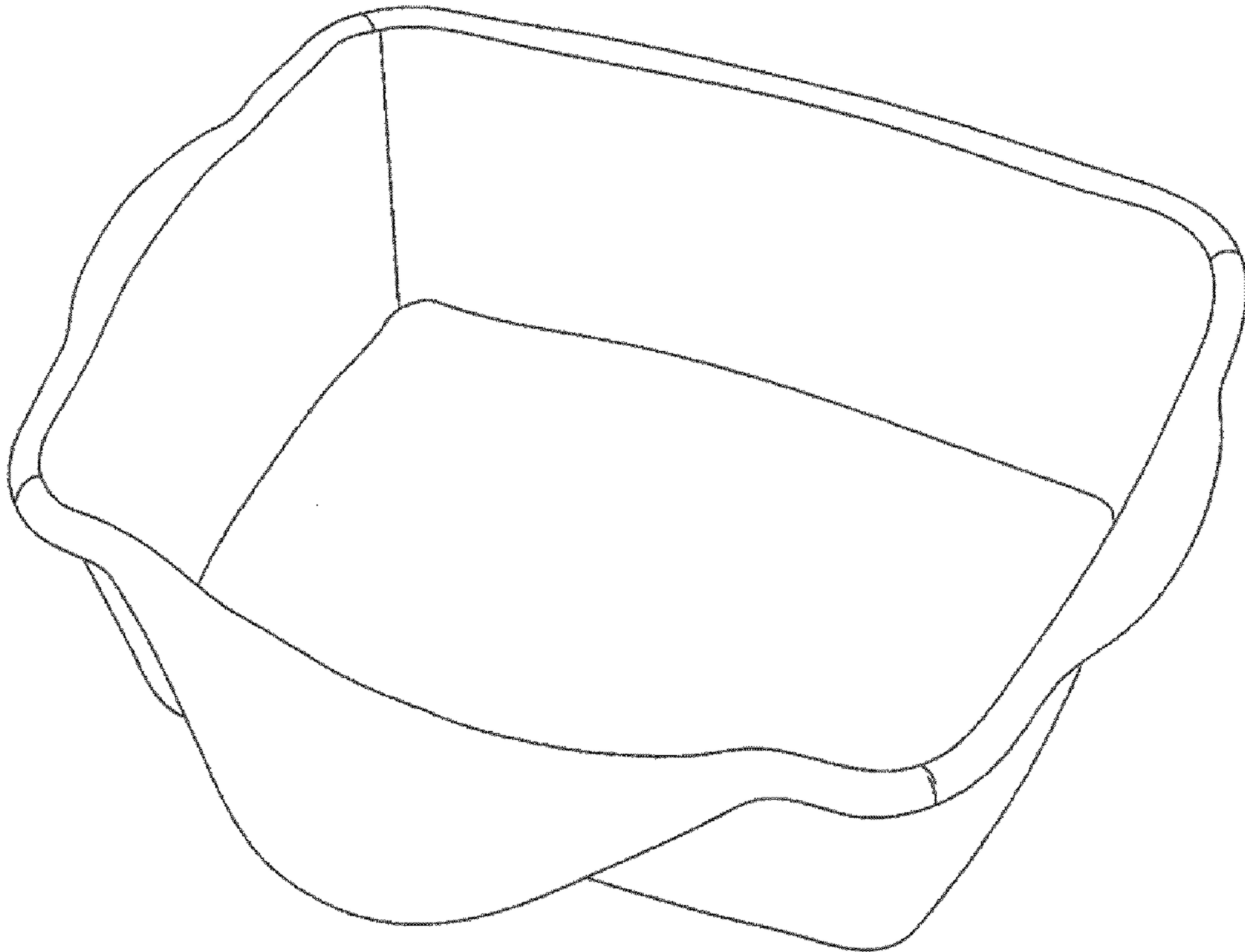
(57) **CLAIM**

The ornamental design for an ergonomic hair washing basin, as shown and described.

DESCRIPTION

FIG. 1 is an isometric plan view of my ergonomic hair washing basin;
FIG. 2 is a right plan view thereof, left plan view being a mirror;
FIG. 3 is a top plan view thereof;
FIG. 4 is a bottom plan view thereof;
FIG. 5 is a front view thereof; and,
FIG. 6 is a rear plan view thereof.

1 Claim, 6 Drawing Sheets



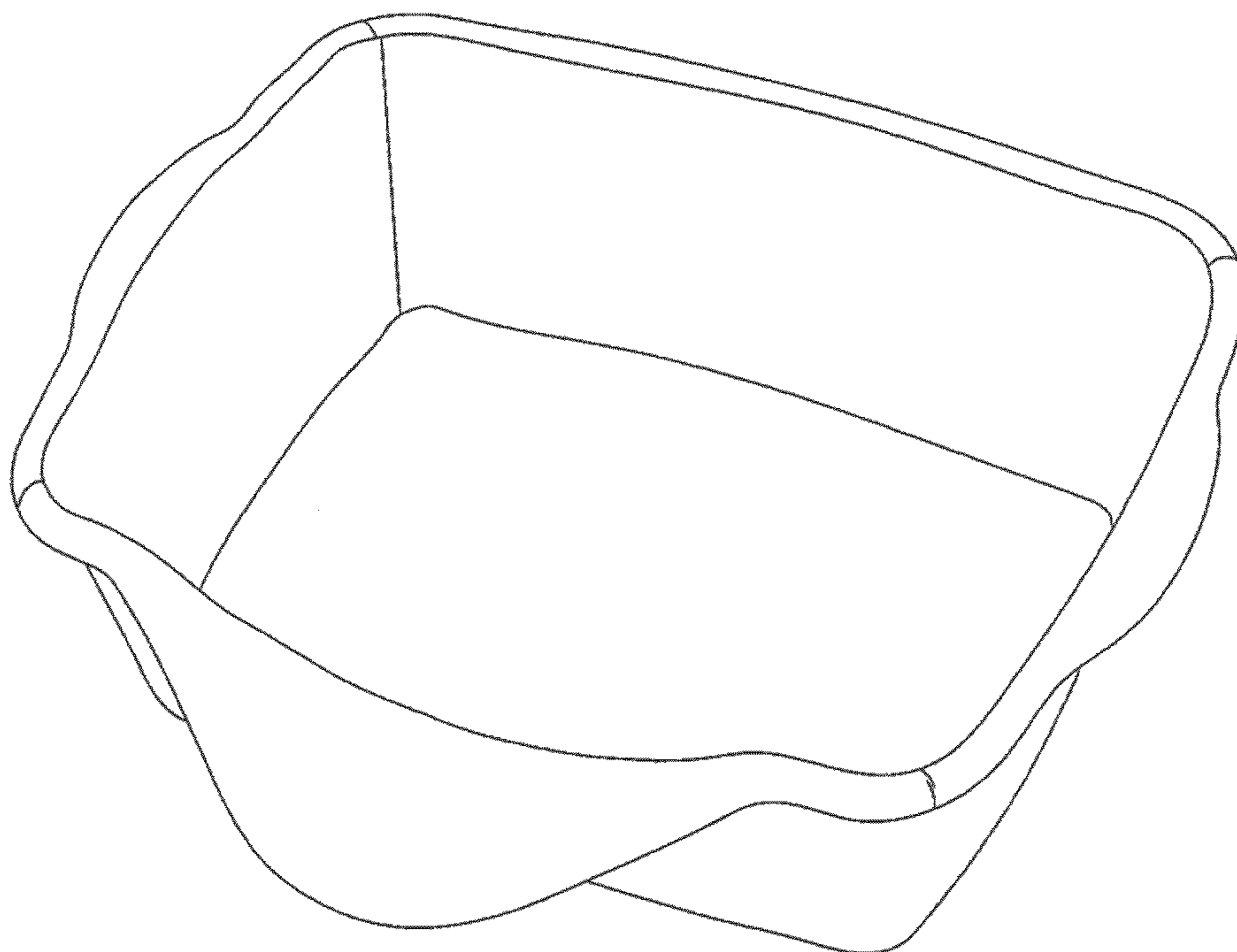


FIG. 1

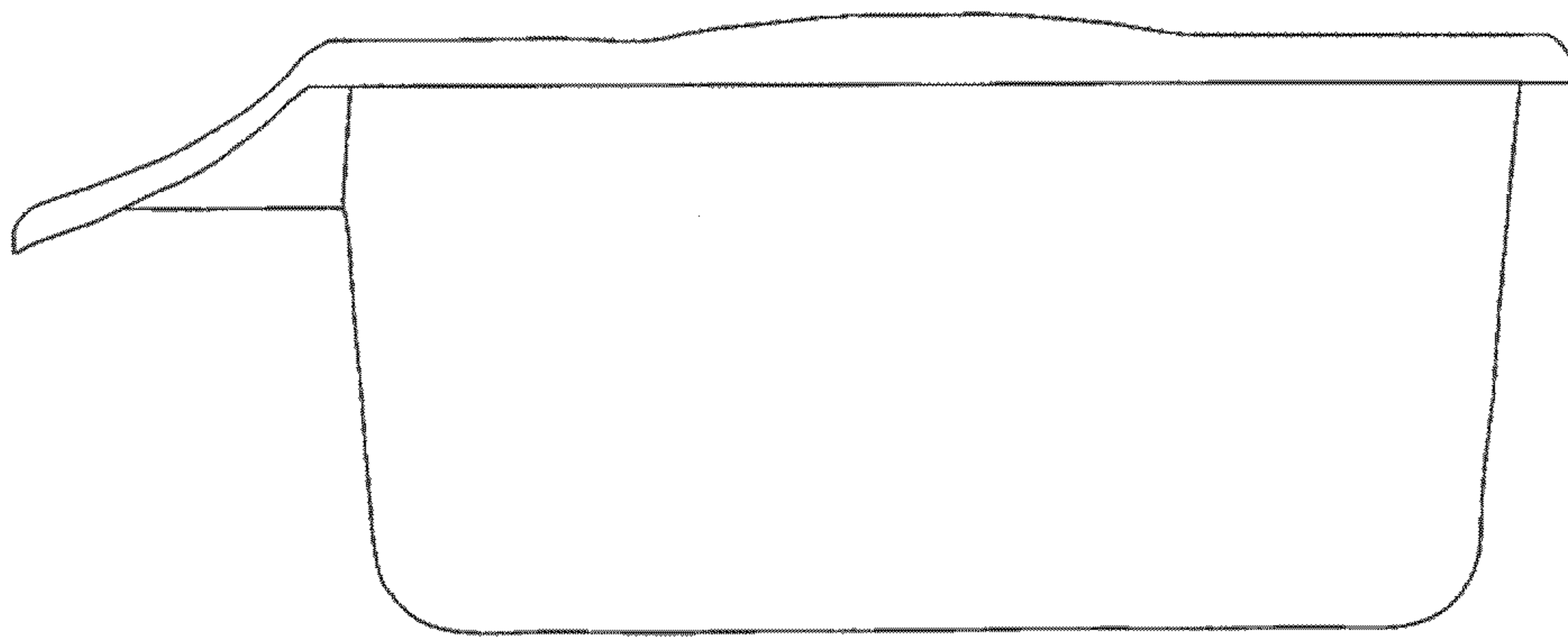


FIG. 2

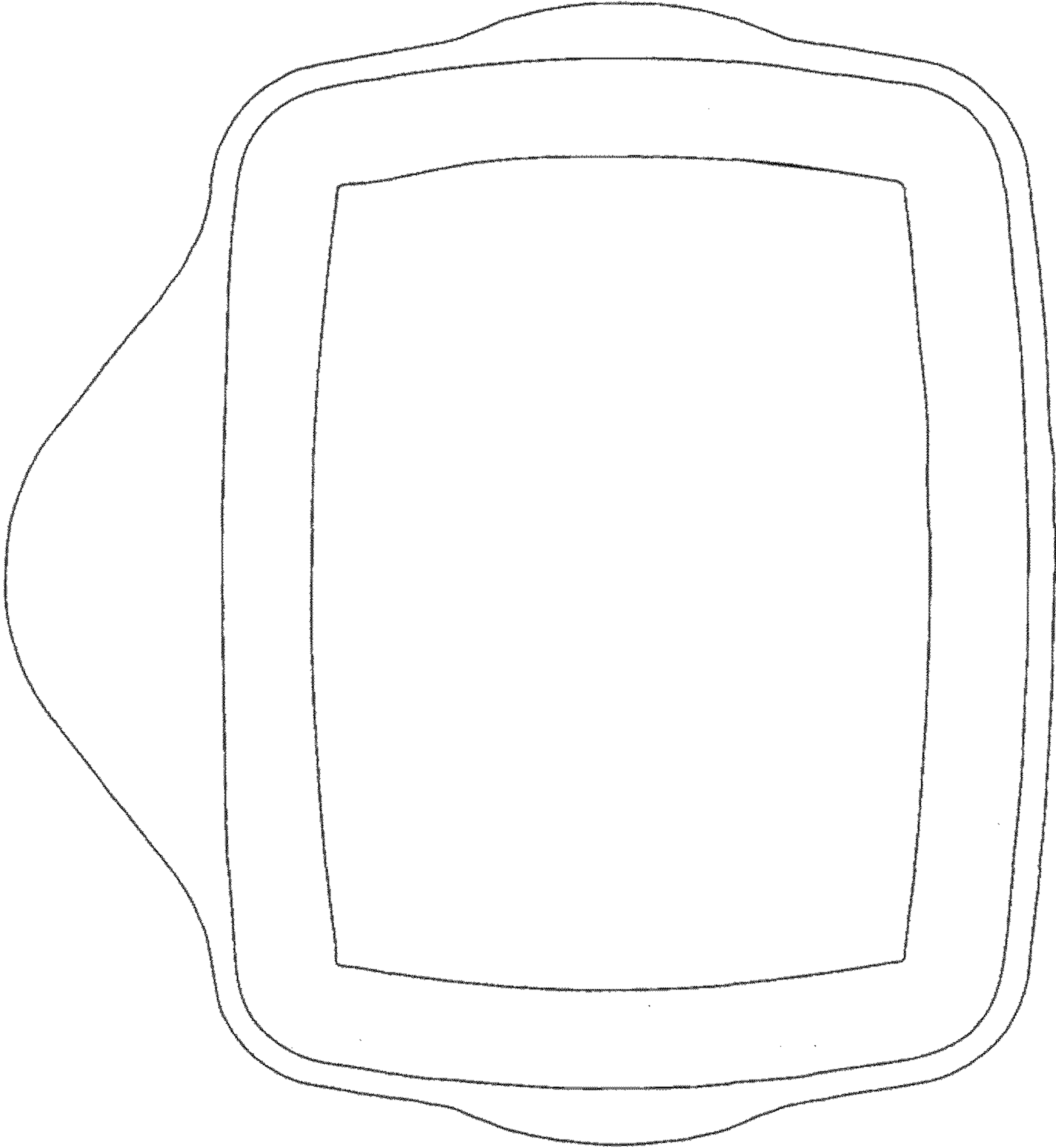


FIG. 3

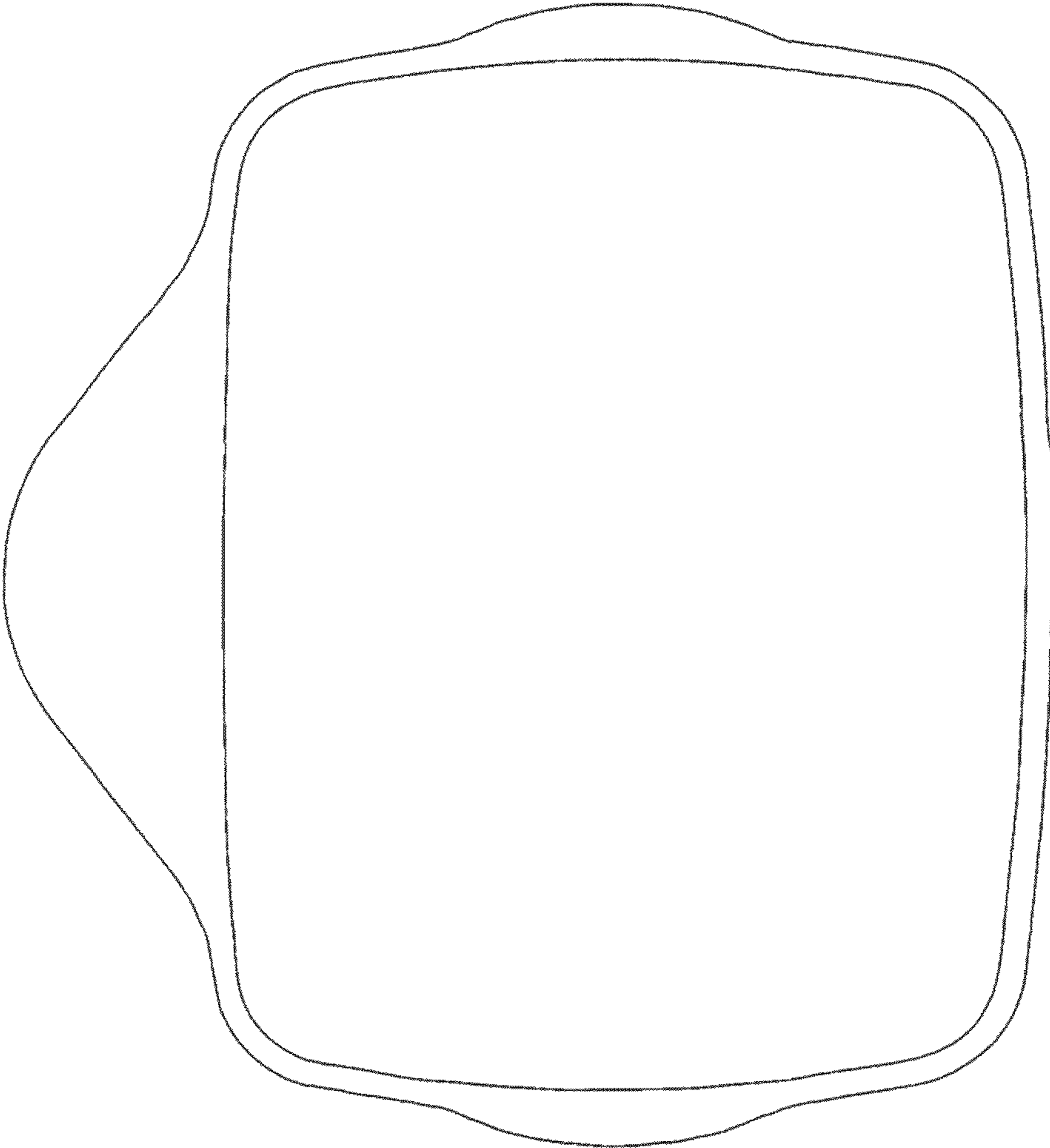


FIG. 4

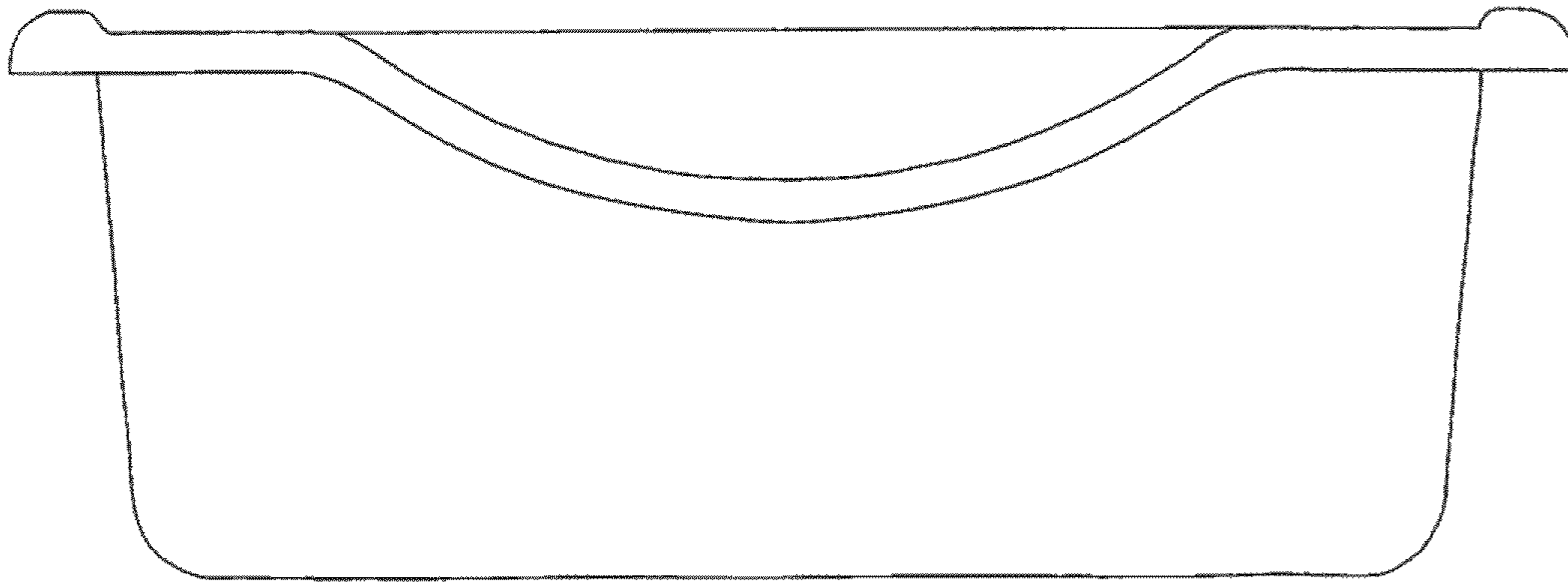


FIG. 5

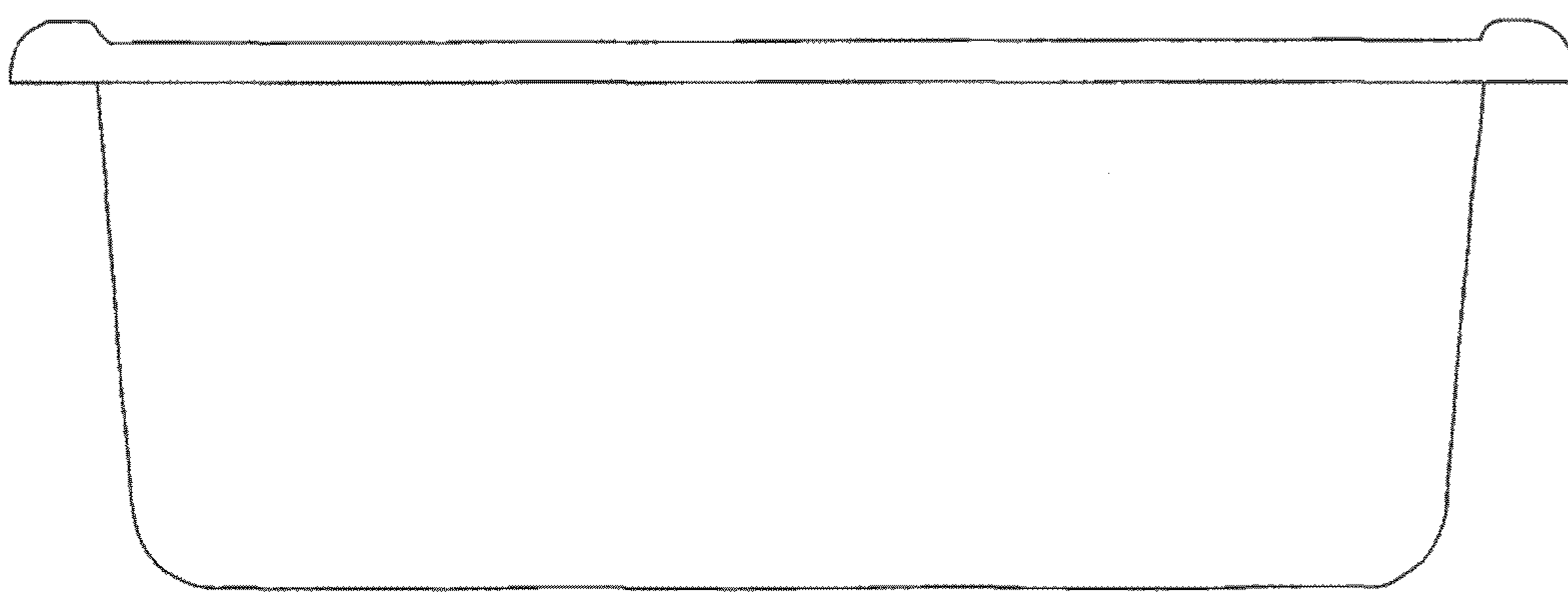


FIG. 6