



US00D685454S

(12) **United States Design Patent**
Yu

(10) **Patent No.:** **US D685,454 S**
(45) **Date of Patent:** **** Jul. 2, 2013**

(54) **FAUCET**

(75) Inventor: **Guang Yu**, Hangzhou (CN)

(73) Assignee: **Yatin Bath Corporation**, Hangzhou,
Zhejiang Province (CN)

(**) Term: **14 Years**

(21) Appl. No.: **29/422,289**

(22) Filed: **May 18, 2012**

(51) **LOC (9) Cl.** **23-01**

(52) **U.S. Cl.**
USPC **D23/238**

(58) **Field of Classification Search**
USPC D23/238-243, 250, 252, 254-255,
D23/257; 4/675-678; 137/801

See application file for complete search history.

(56) **References Cited**

U.S. PATENT DOCUMENTS

D343,444 S *	1/1994	Paulin et al.	D23/238
D363,764 S *	10/1995	Starck	D23/252
D530,395 S *	10/2006	Lammel	D23/238
D543,415 S *	5/2007	Duranti	D7/398

* cited by examiner

Primary Examiner — Robert Delehanty

(74) *Attorney, Agent, or Firm* — Jacobson Holman PLLC;
Jiwen Chen

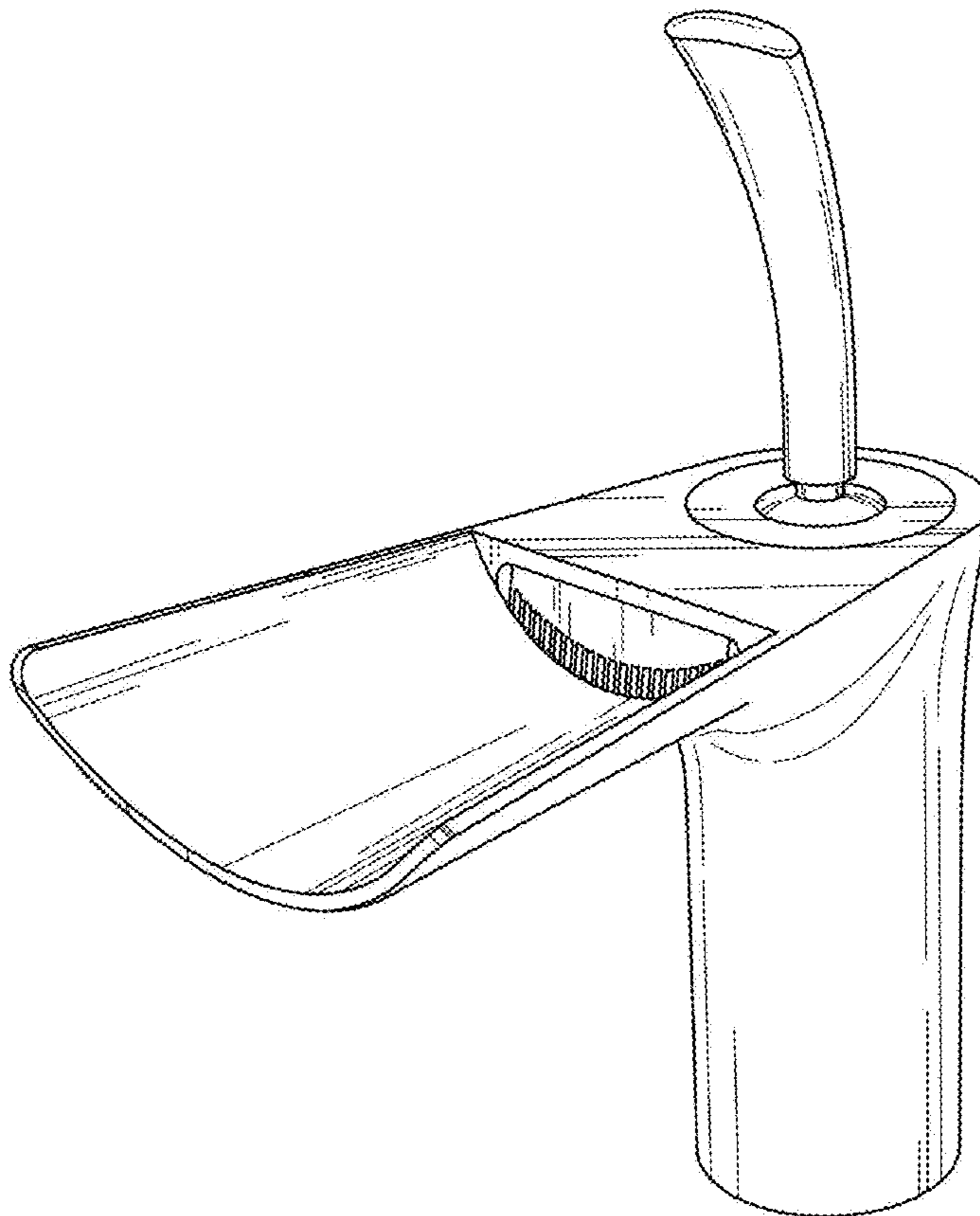
(57) **CLAIM**

I claim the ornamental design for the faucet, as shown and described.

DESCRIPTION

FIG. 1 is a perspective view of the faucet showing the design;
FIG. 2 is a front elevational view thereof;
FIG. 3 is a rear elevational view thereof;
FIG. 4 is a right side elevational view thereof, the left side
elevational view of the design being a mirror image of the
right side elevational view; and,
FIG. 5 is a top plan view thereof.

1 Claim, 5 Drawing Sheets



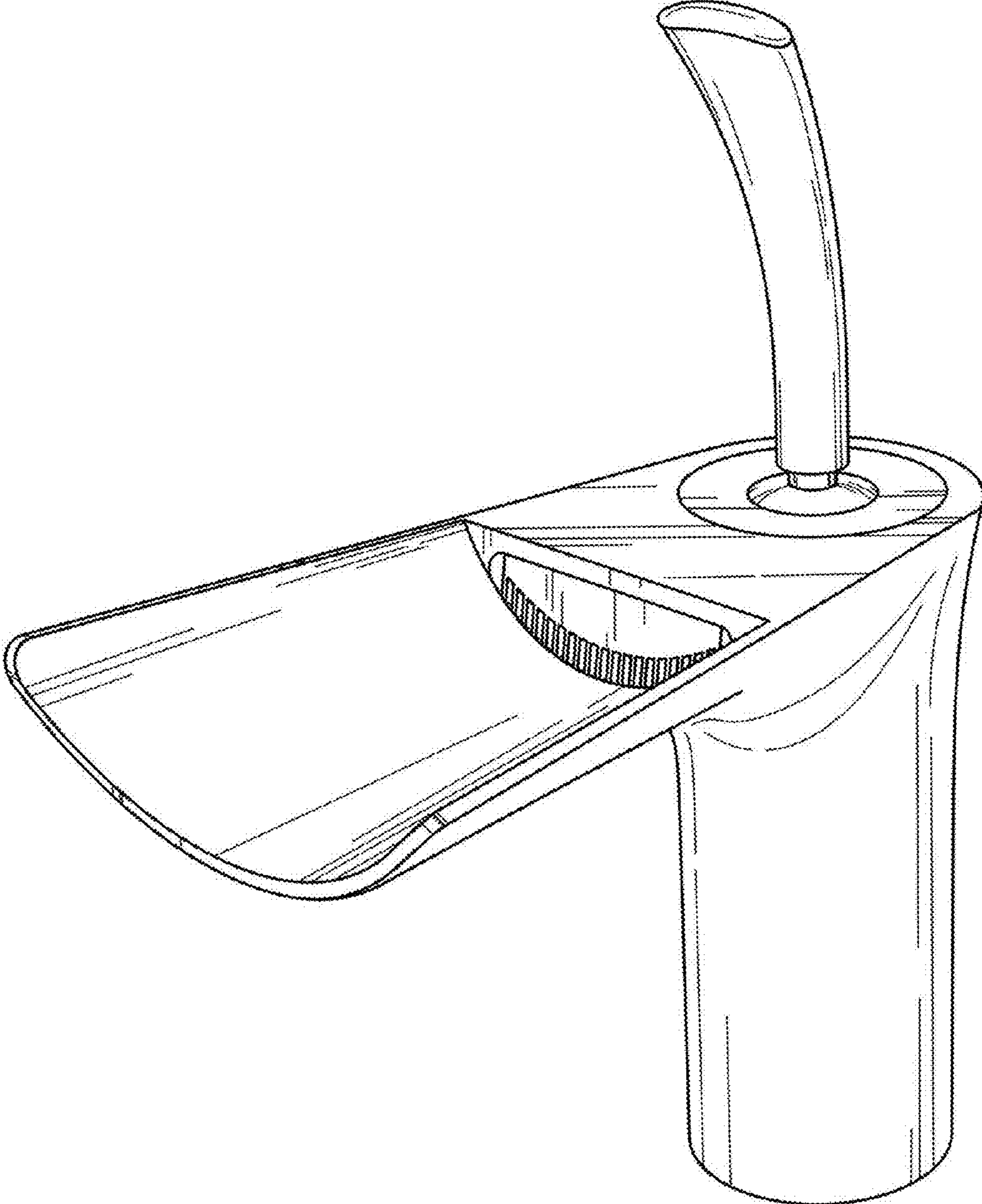


FIG. 1

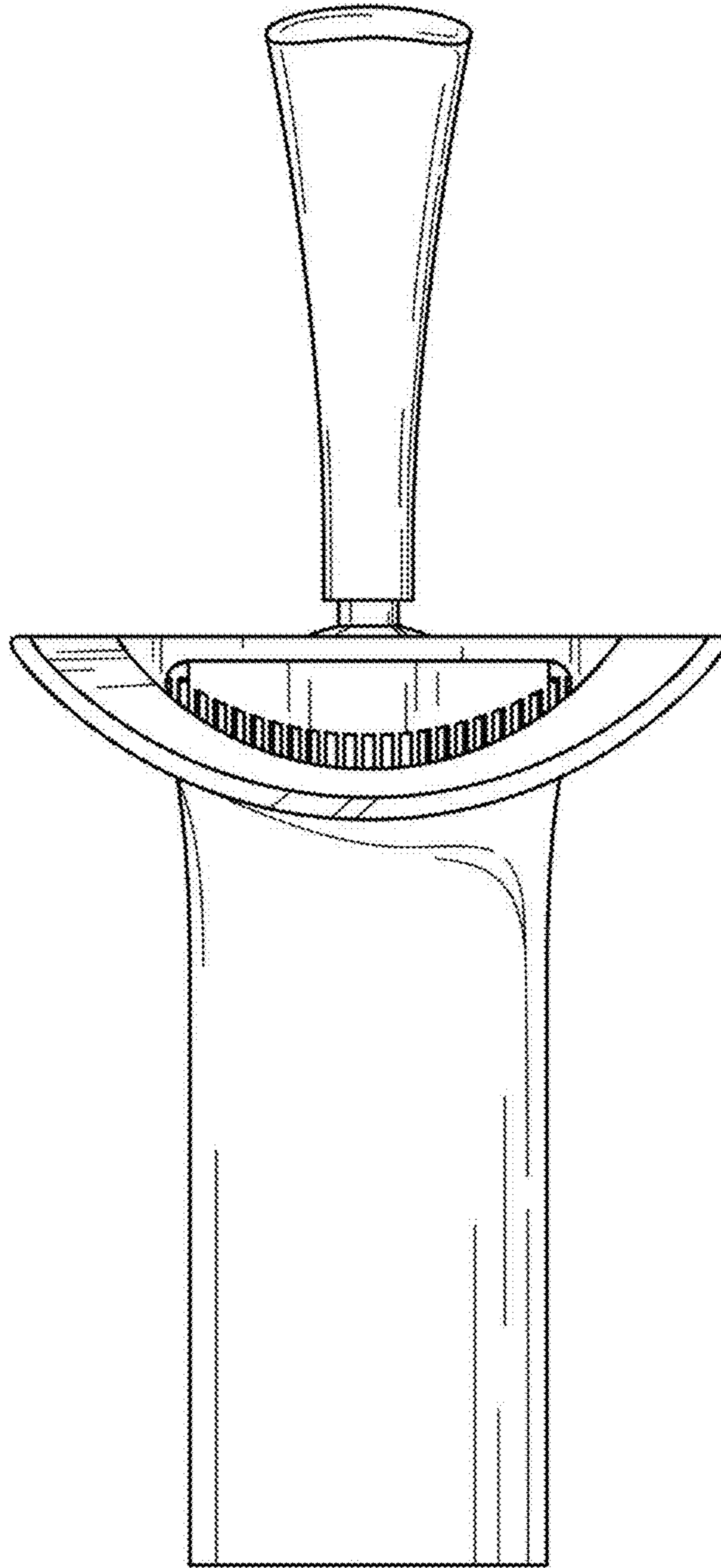


FIG. 2

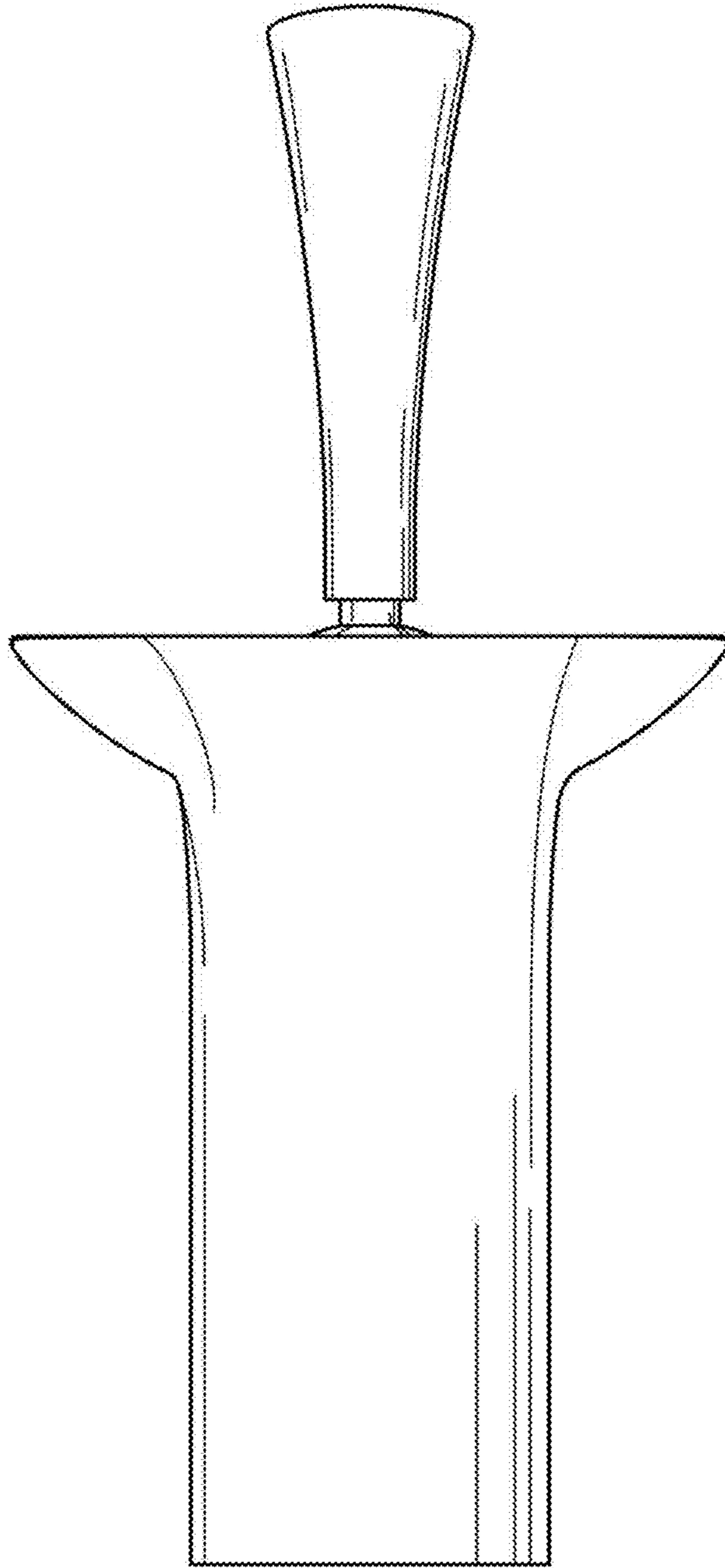


FIG. 3

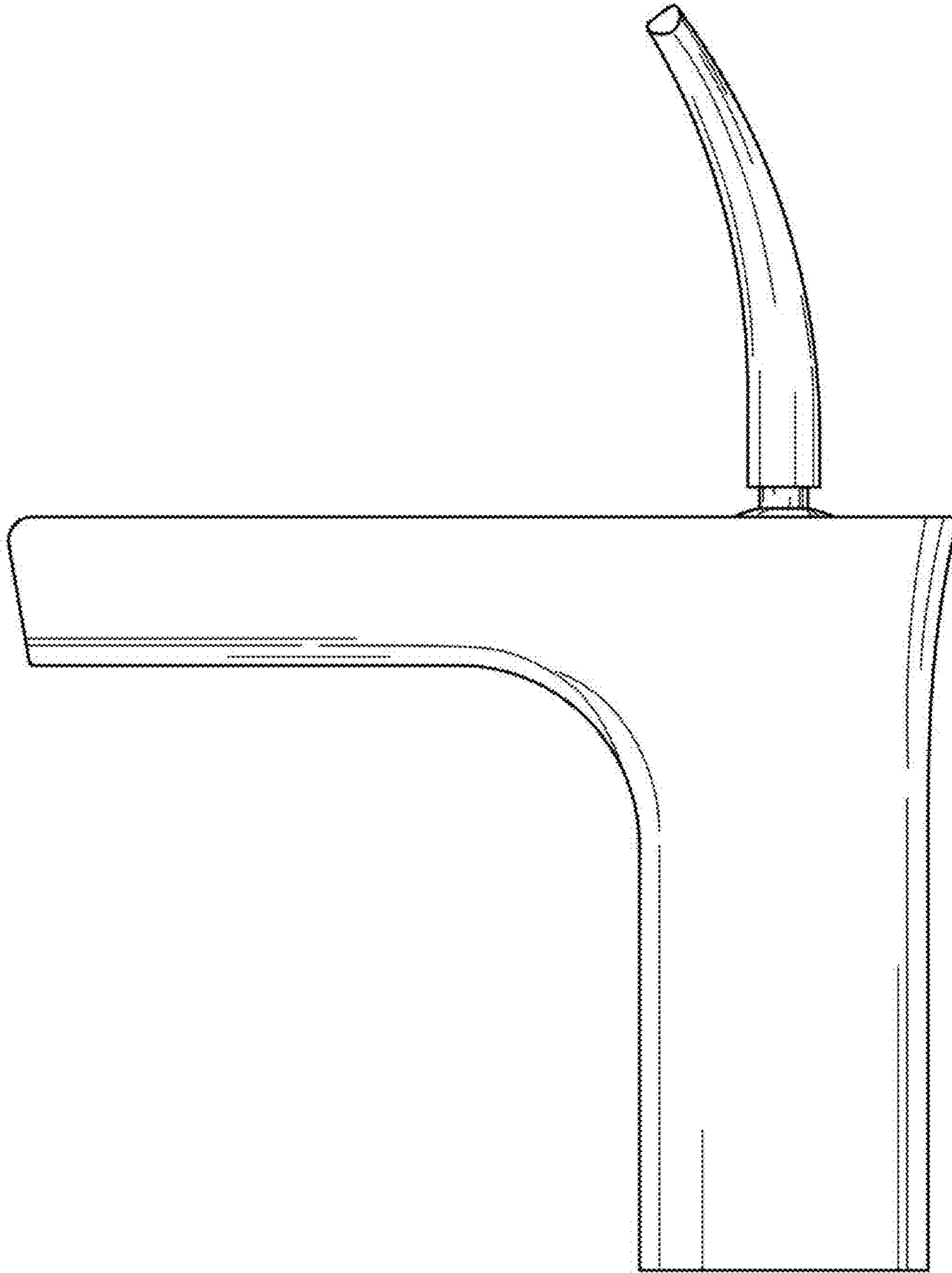


FIG. 4

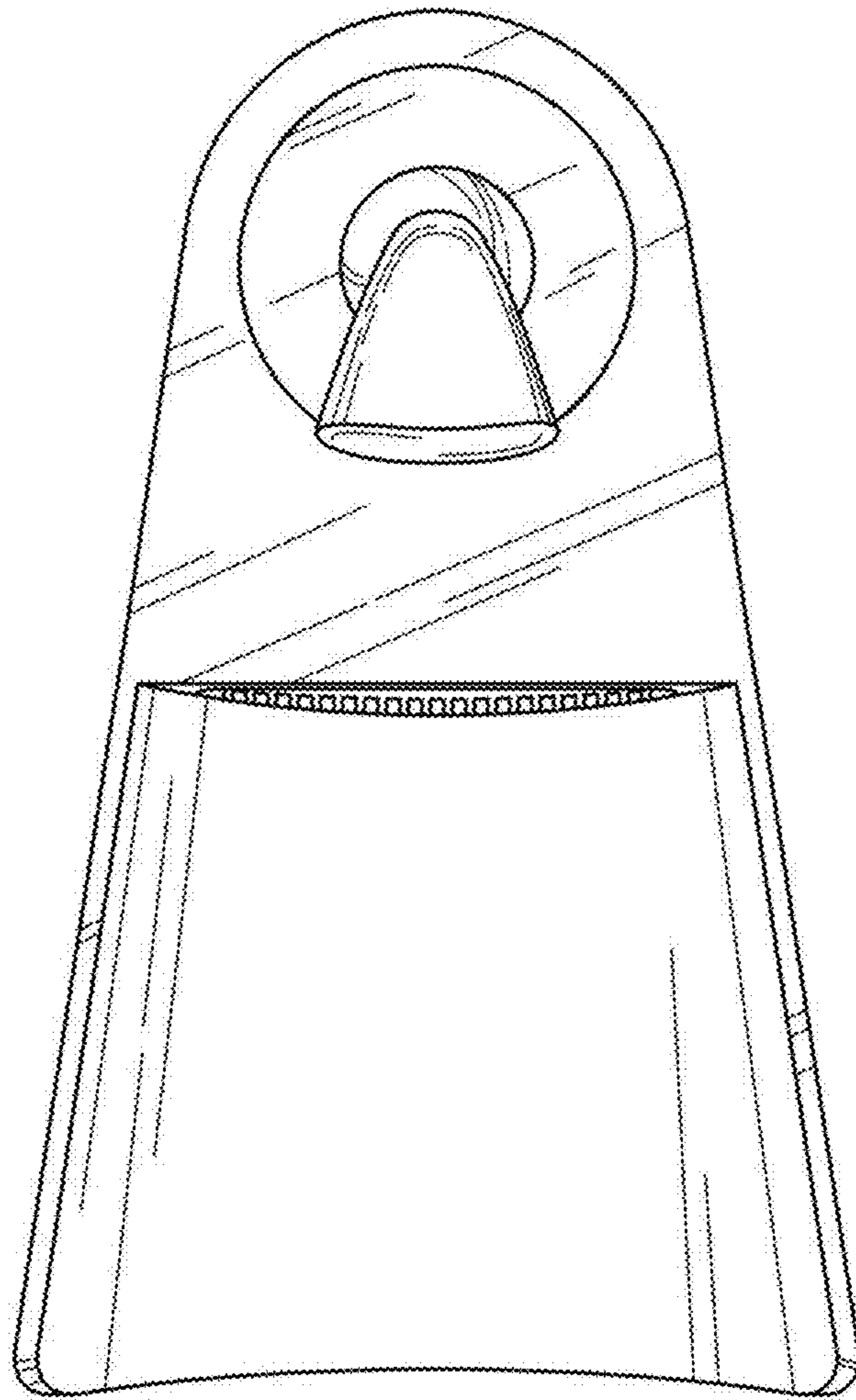


FIG. 5