



US00D685453S

(12) **United States Design Patent**  
**Wilson**

(10) **Patent No.:** **US D685,453 S**  
(45) **Date of Patent:** **\*\* Jul. 2, 2013**

- (54) **SHOWER ASSEMBLY**
- (75) Inventor: **John M. Wilson**, Sheboygan, WI (US)
- (73) Assignee: **Kohler Co.**, Kohler, WI (US)
- (\*\*) Term: **14 Years**
- (21) Appl. No.: **29/426,293**
- (22) Filed: **Jul. 3, 2012**

**Related U.S. Application Data**

- (62) Division of application No. 29/381,835, filed on Dec. 23, 2010, now Pat. No. Des. 665,873.
- (51) **LOC (9) Cl.** ..... **23-01**
- (52) **U.S. Cl.**  
USPC ..... **D23/228; D23/304**
- (58) **Field of Classification Search**  
USPC ..... D23/213, 214, 228-230, 304; 239/280;  
4/567, 552, 596, 597, 601, 605, 615, 900  
See application file for complete search history.

(56) **References Cited**

**U.S. PATENT DOCUMENTS**

|             |        |       |
|-------------|--------|-------|
| 1,847,917 A | 3/1932 | Binns |
| 4,523,604 A | 6/1985 | Hutto |

(Continued)

**FOREIGN PATENT DOCUMENTS**

|    |                |        |
|----|----------------|--------|
| EM | 000408349-0001 | 9/2005 |
| EM | 000408349-0002 | 9/2005 |

(Continued)

**OTHER PUBLICATIONS**

Raindance Connect Product Data Sheet, Hansgrohe USA, Known at least as early as Nov. 8, 2010, Retrieved from Internet on Mar. 21, 2012 <URL: [http://www.hansgrohe-usa.com/pdf/datasheet.pdf?model=27164USA&category=C000000000109&lang=en\\_US](http://www.hansgrohe-usa.com/pdf/datasheet.pdf?model=27164USA&category=C000000000109&lang=en_US)>.

(Continued)

Primary Examiner — Robin V Webster

(74) *Attorney, Agent, or Firm* — Michael Best & Friedrich LLP

(57) **CLAIM**

I claim the ornamental design for a shower assembly, as shown and described.

**DESCRIPTION**

FIG. 1 is a perspective view of a shower assembly, such as an arch shower for tub/shower installations.

FIG. 2 is a front view of the shower assembly shown in FIG. 1.

FIG. 3 is a rear view of the shower assembly shown in FIG. 1. FIG. 4 is a right side view of the shower assembly shown in FIG. 1.

FIG. 5 is a left side view of the shower assembly shown in FIG. 1.

FIG. 6 is a top view of the shower assembly shown in FIG. 1. FIG. 7 is a bottom view of the shower assembly shown in FIG. 1.

FIG. 8 is a perspective view of another alternative construction of a shower assembly including, for example, a rain-type shower head.

FIG. 9 is a perspective view of a portion of the shower assembly shown in FIGS. 1-8.

FIG. 10 is a front view of the portion of the shower assembly shown in FIG. 9.

FIG. 11 is a rear view of the portion of the shower assembly shown in FIG. 9.

FIG. 12 is a right side view of the portion of the shower assembly shown in FIG. 9.

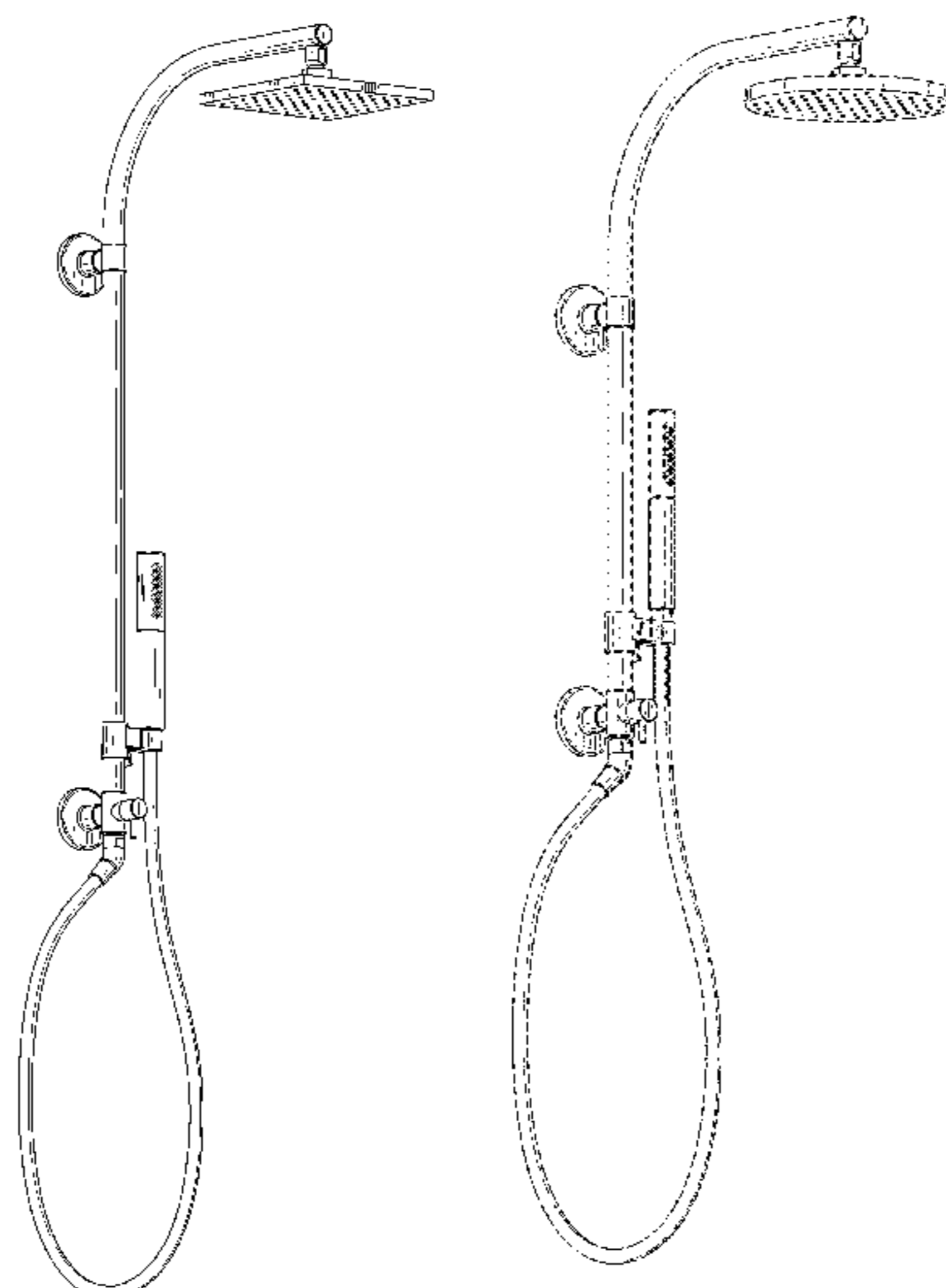
FIG. 13 is a left side view of the portion of the shower assembly shown in FIG. 9.

FIG. 14 is a top view of the portion of the shower assembly shown in FIG. 9; and,

FIG. 15 is a bottom view of the portion of the shower assembly shown in FIG. 9.

The present application is directed to the shape and contour of the designs illustrated in the drawings. The broken line showing of the environment is for illustrative purposes only and forms no part of the claimed designs. The broken lines which define the boundaries of the claimed designs form no part thereof.

**1 Claim, 10 Drawing Sheets**



# US D685,453 S

Page 2

## U.S. PATENT DOCUMENTS

|              |      |         |                        |         |
|--------------|------|---------|------------------------|---------|
| 4,739,596    | A    | 4/1988  | Cunningham et al.      |         |
| 4,997,007    | A    | 3/1991  | Niemann et al.         |         |
| 5,329,650    | A    | 7/1994  | Zaccai et al.          |         |
| 5,339,469    | A    | 8/1994  | Gilles                 |         |
| 5,353,448    | A    | 10/1994 | Lee                    |         |
| 5,678,258    | A    | 10/1997 | Healy                  |         |
| 6,192,529    | B1   | 2/2001  | Jones et al.           |         |
| D454,620     | S *  | 3/2002  | Starck .....           | D23/228 |
| 6,378,912    | B1   | 4/2002  | Condon et al.          |         |
| D477,657     | S *  | 7/2003  | Toyohara .....         | D23/304 |
| 6,726,161    | B2   | 4/2004  | Plump et al.           |         |
| D500,121     | S *  | 12/2004 | Blomstrom .....        | D23/213 |
| 6,859,955    | B2   | 3/2005  | Hudson                 |         |
| D514,197     | S *  | 1/2006  | Gilbert .....          | D23/229 |
| D545,419     | S    | 6/2007  | Nikles et al.          |         |
| D552,722     | S    | 10/2007 | Nikles et al.          |         |
| D559,949     | S *  | 1/2008  | Bickler et al. ....    | D23/228 |
| D562,950     | S    | 2/2008  | Nikles et al.          |         |
| D562,951     | S    | 2/2008  | Nikles et al.          |         |
| D564,625     | S *  | 3/2008  | Bickler et al. ....    | D23/228 |
| D567,904     | S *  | 4/2008  | Schonherr et al. ....  | D23/228 |
| D575,846     | S *  | 8/2008  | Lobermeier et al. .... | D23/228 |
| 7,406,984    | B2   | 8/2008  | Nikles et al.          |         |
| 7,458,112    | B1   | 12/2008 | Yang                   |         |
| 7,578,453    | B1   | 8/2009  | Wilson                 |         |
| D606,627     | S *  | 12/2009 | Urquiola .....         | D23/228 |
| D612,453     | S *  | 3/2010  | Schoenherr et al. .... | D23/228 |
| D616,066     | S *  | 5/2010  | Cummings et al. ....   | D23/228 |
| 7,766,291    | B2   | 8/2010  | Eilmus et al.          |         |
| D629,867     | S *  | 12/2010 | Rexach et al. ....     | D23/213 |
| 7,857,241    | B2 * | 12/2010 | Deng .....             | 239/444 |
| D638,100     | S *  | 5/2011  | Juan .....             | D23/213 |
| D638,520     | S *  | 5/2011  | Matsuura et al. ....   | D23/228 |
| 2003/0226200 | A1   | 12/2003 | Charonis               |         |
| 2005/0116062 | A1   | 6/2005  | Yang                   |         |
| 2005/0127211 | A1   | 6/2005  | Yeiser                 |         |
| 2006/0021131 | A1   | 2/2006  | Robert et al.          |         |
| 2006/0196972 | A1   | 9/2006  | Kajuch                 |         |
| 2009/0000022 | A1   | 1/2009  | Phipps et al.          |         |
| 2009/0202293 | A1   | 8/2009  | Kajuch et al.          |         |
| 2010/0058532 | A1   | 3/2010  | Tsai et al.            |         |
| 2010/0163652 | A1   | 7/2010  | Kajuch et al.          |         |

## FOREIGN PATENT DOCUMENTS

|    |                |        |
|----|----------------|--------|
| EM | 000408349-0003 | 9/2005 |
| EM | 000408349-0004 | 9/2005 |
| EM | 000408349-0005 | 9/2005 |
| EM | 000408349-0006 | 9/2005 |
| EM | 000408349-0007 | 9/2005 |
| EM | 000408349-0008 | 9/2005 |
| EP | 0076717        | 4/1983 |
| EP | 1892339        | 2/2008 |

## OTHER PUBLICATIONS

Raindance Allrounder Air Product Data Sheet, Hansgrohe USA, Known at least as early as Nov. 8, 2010, Retrieved from Internet on Mar. 21, 2012 <URL: [http://www.hansgrohe-usa.com/pdf/datasheet.pdf?model=28110USA&category=C0000000000081&lang=en\\_US](http://www.hansgrohe-usa.com/pdf/datasheet.pdf?model=28110USA&category=C0000000000081&lang=en_US)>.

Raindance S Wallbar Product Data Sheet, Hansgrohe USA, Known at least as early as Nov. 8, 2010, Retrieved from Internet on Mar. 21, 2012 <URL: [http://www.hansgrohe-usa.com/pdf/datasheet.pdf?model=27876USA&category=C0000000000081&lang=en\\_US](http://www.hansgrohe-usa.com/pdf/datasheet.pdf?model=27876USA&category=C0000000000081&lang=en_US)>.

Freehander Spec Sheet, Grohe, Known at least as early as Nov. 8, 2010, Retrieved from Internet on Mar. 21, 2012 <URL: [http://www.groheamerica.com/htlib/0/catalogue\\_appendage/us\\_specification/27007-freehander.pdf](http://www.groheamerica.com/htlib/0/catalogue_appendage/us_specification/27007-freehander.pdf)>.

Euphoria Shower System Spec Sheet, Grohe, Known at least as early as Nov. 8, 2010, Retrieved from Internet on Mar. 21, 2012 <URL: [http://www.groheamerica.com/htlib/O/catalogue\\_appendage/us\\_specification/27421-euphoria.pdf](http://www.groheamerica.com/htlib/O/catalogue_appendage/us_specification/27421-euphoria.pdf)>.

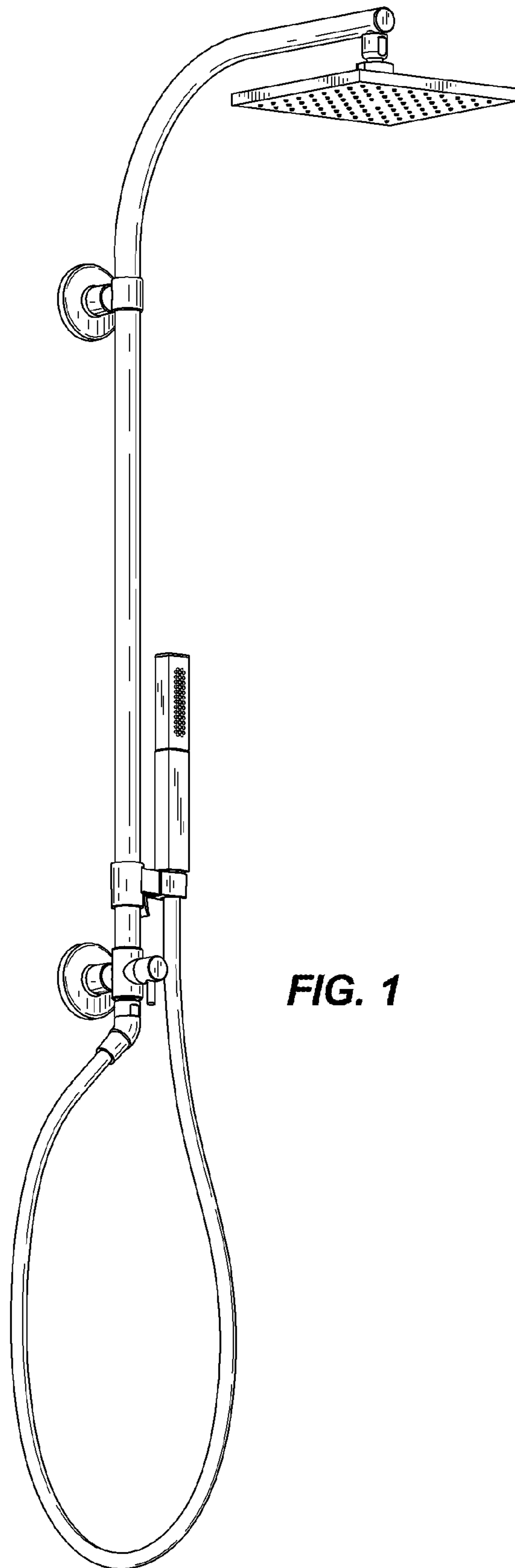
Rainshower Shower System Spec Sheet, Grohe, Known at least as early as Nov. 8, 2010, Retrieved from Internet on Mar. 21, 2012 <URL: [http://www.groheamerica.com/htlib/0/catalogue\\_appendage/us\\_specification/27031-rainshower.pdf](http://www.groheamerica.com/htlib/0/catalogue_appendage/us_specification/27031-rainshower.pdf)>.

Kauai II, Pulse Shower Spas, Known at least as early as Nov. 8, 2010, Retrieved from Internet on Mar. 15, 2012 <URL: [http://pulseshowerspas.com/pulseshowerspas\\_kauai\\_htm](http://pulseshowerspas.com/pulseshowerspas_kauai_htm)>.

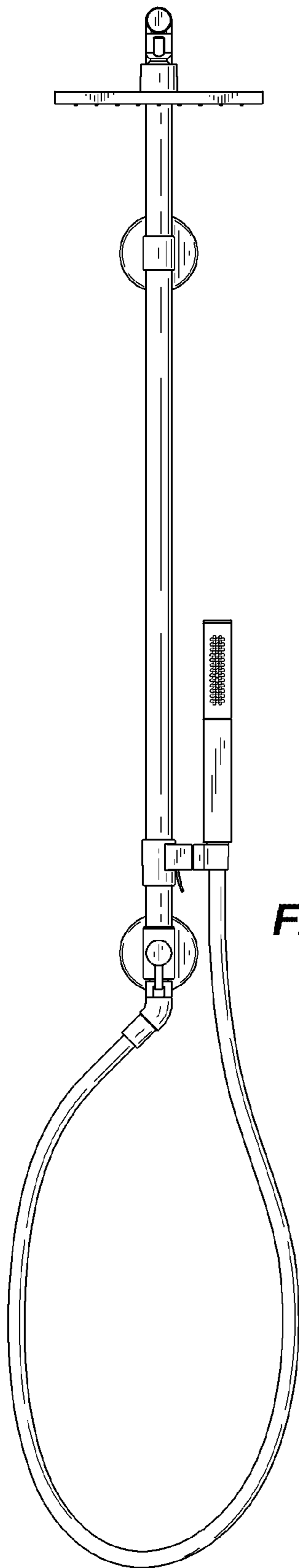
PCT/US2011/0655541 International Search Report and Written Opinion dated Apr. 16, 2012 (8 pages).

Pulse Showerspas Product Line, Pulse Showerspas, Inc., 2010, Retrieved from Internet on Nov. 19, 2010 <URL: [http://www.pulseshowerspas.com/product\\_line.htm](http://www.pulseshowerspas.com/product_line.htm)>.

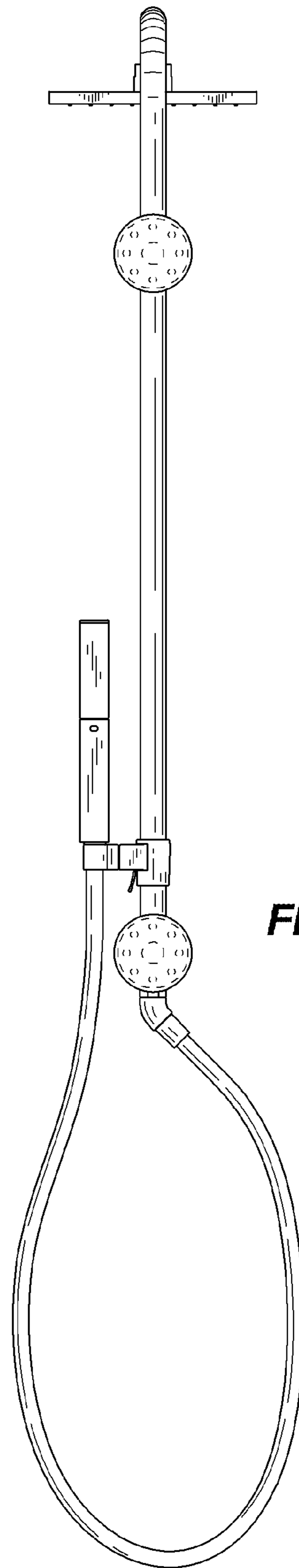
\* cited by examiner



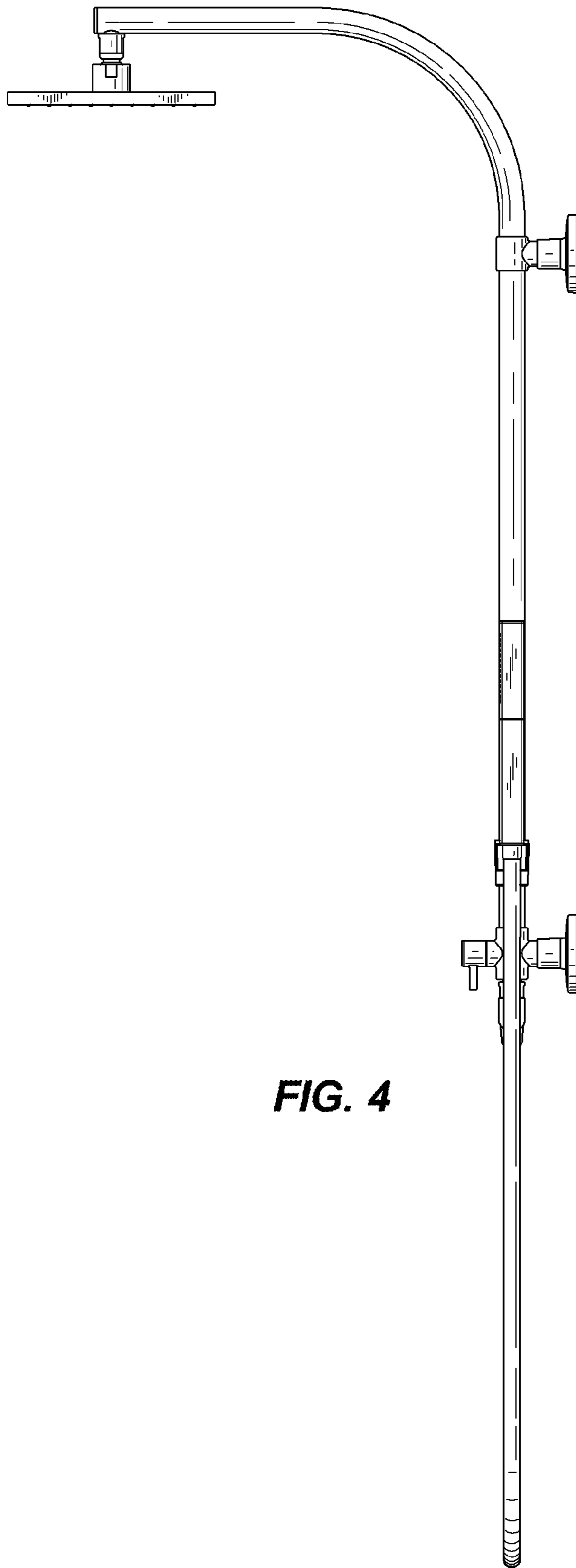
**FIG. 1**



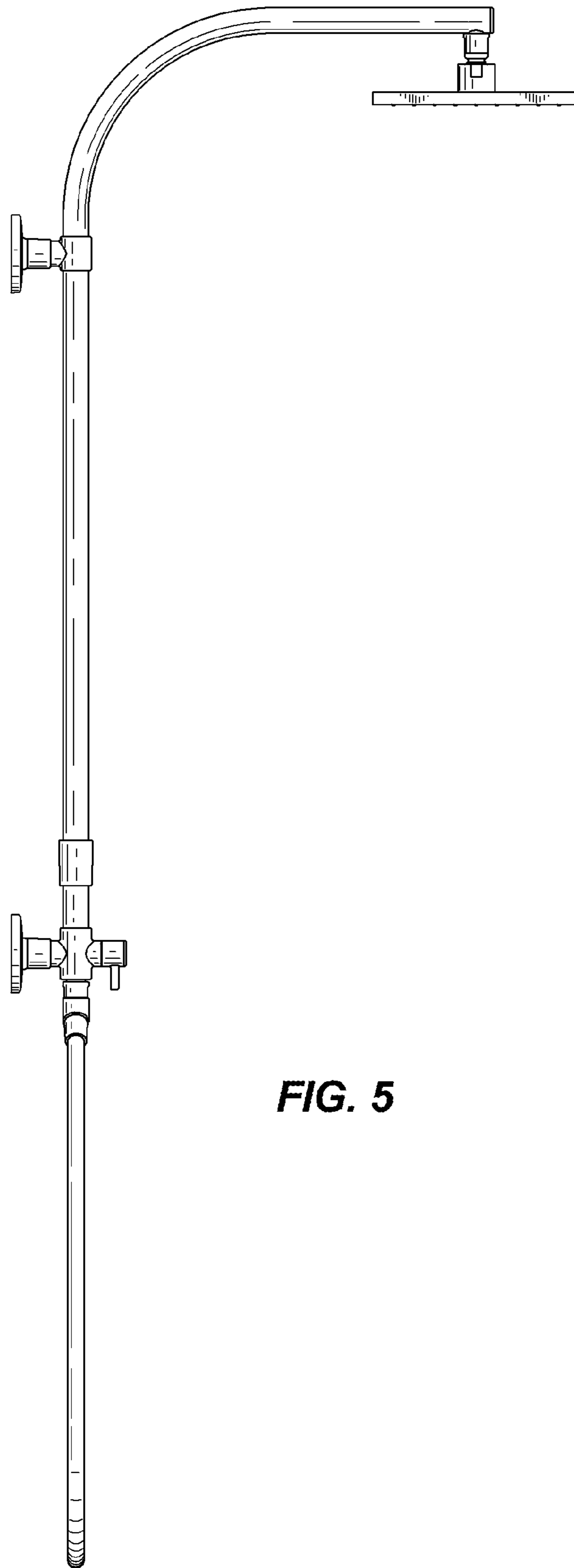
**FIG. 2**



**FIG. 3**



**FIG. 4**



**FIG. 5**

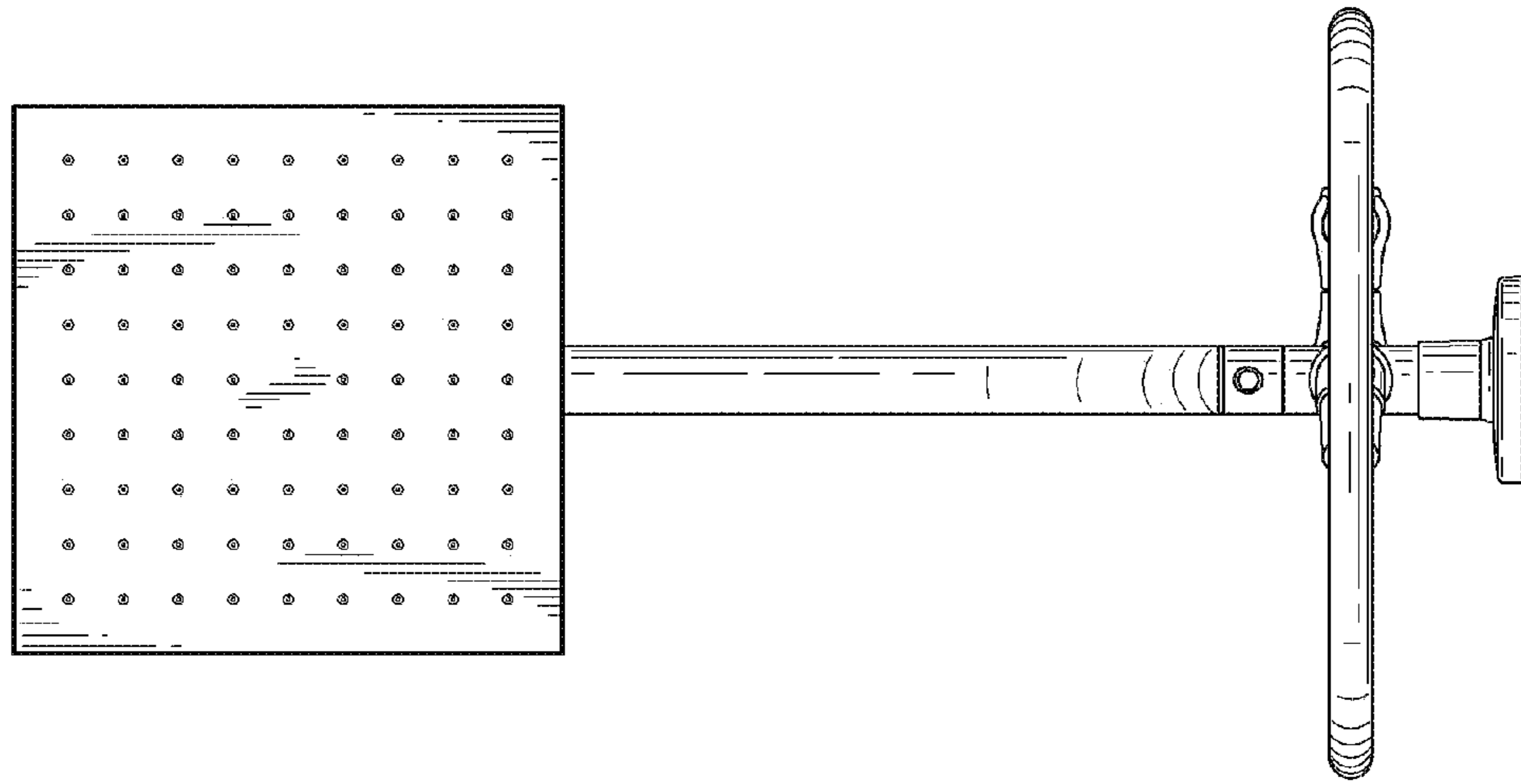


FIG. 7

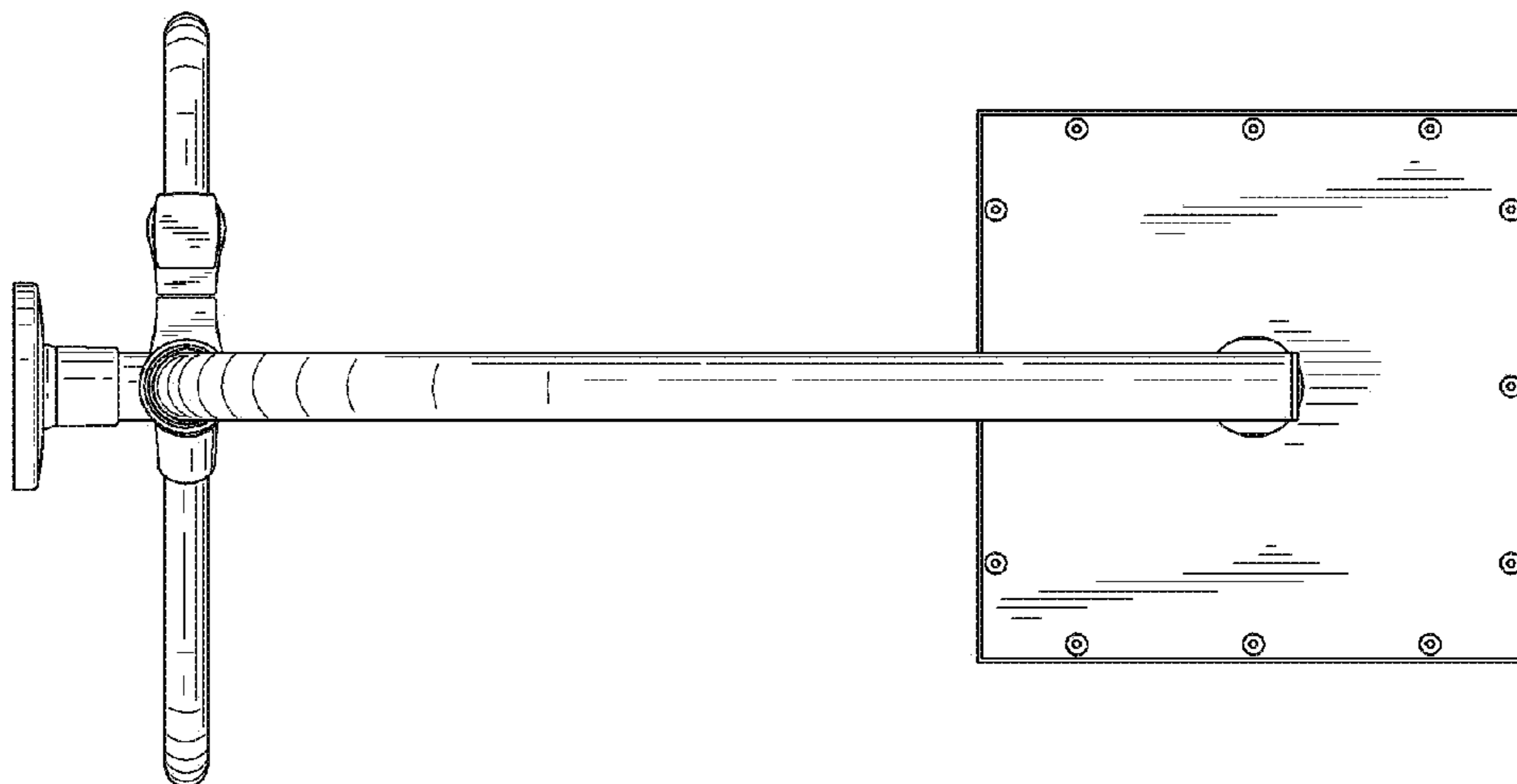


FIG. 6

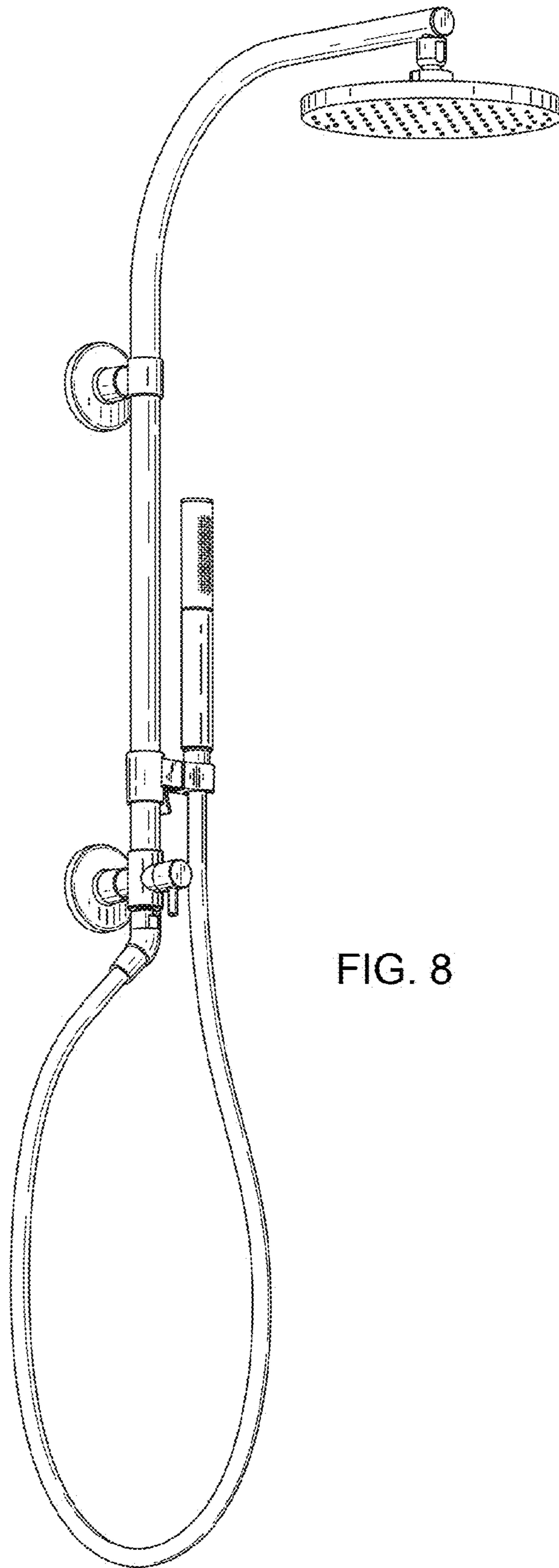


FIG. 8



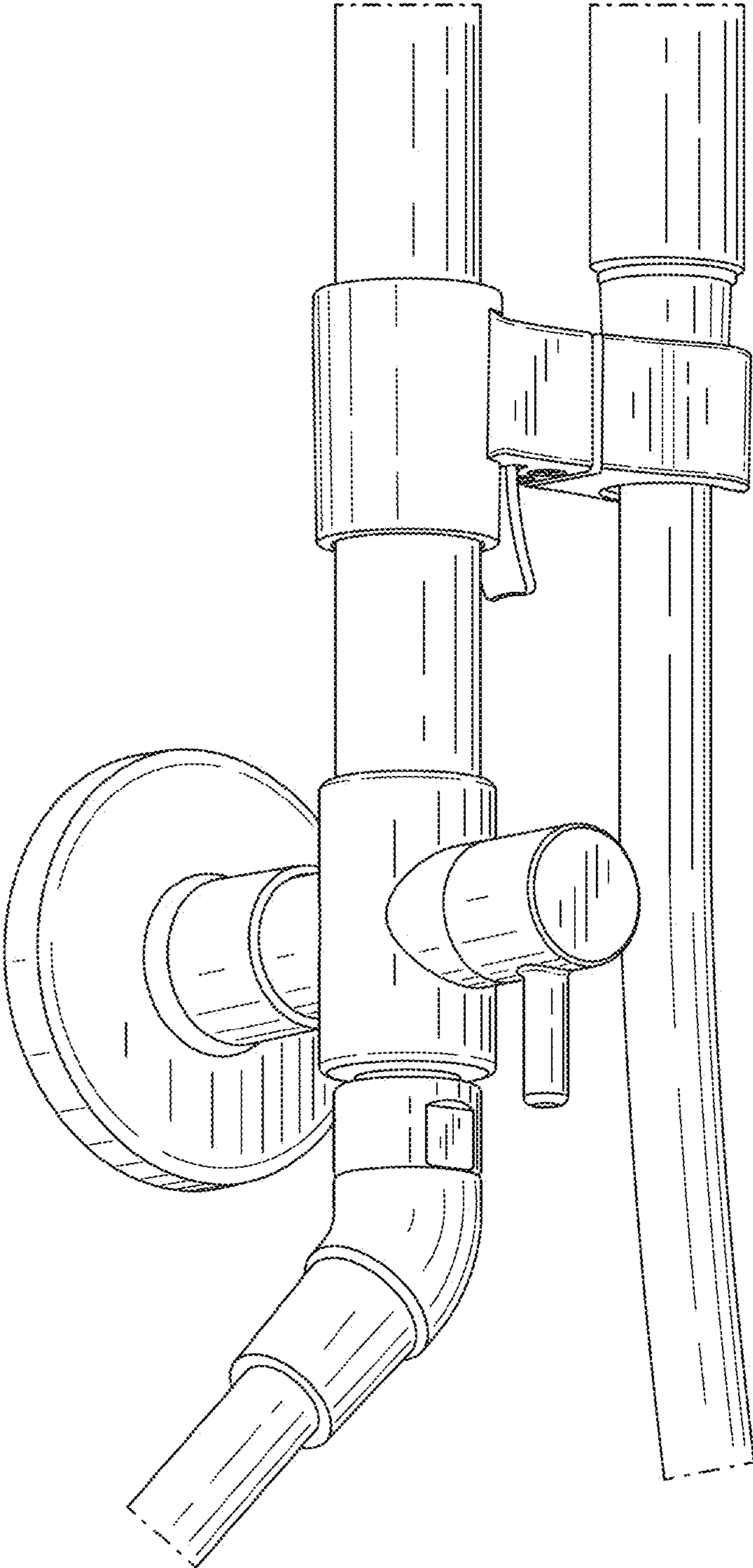


FIG. 9

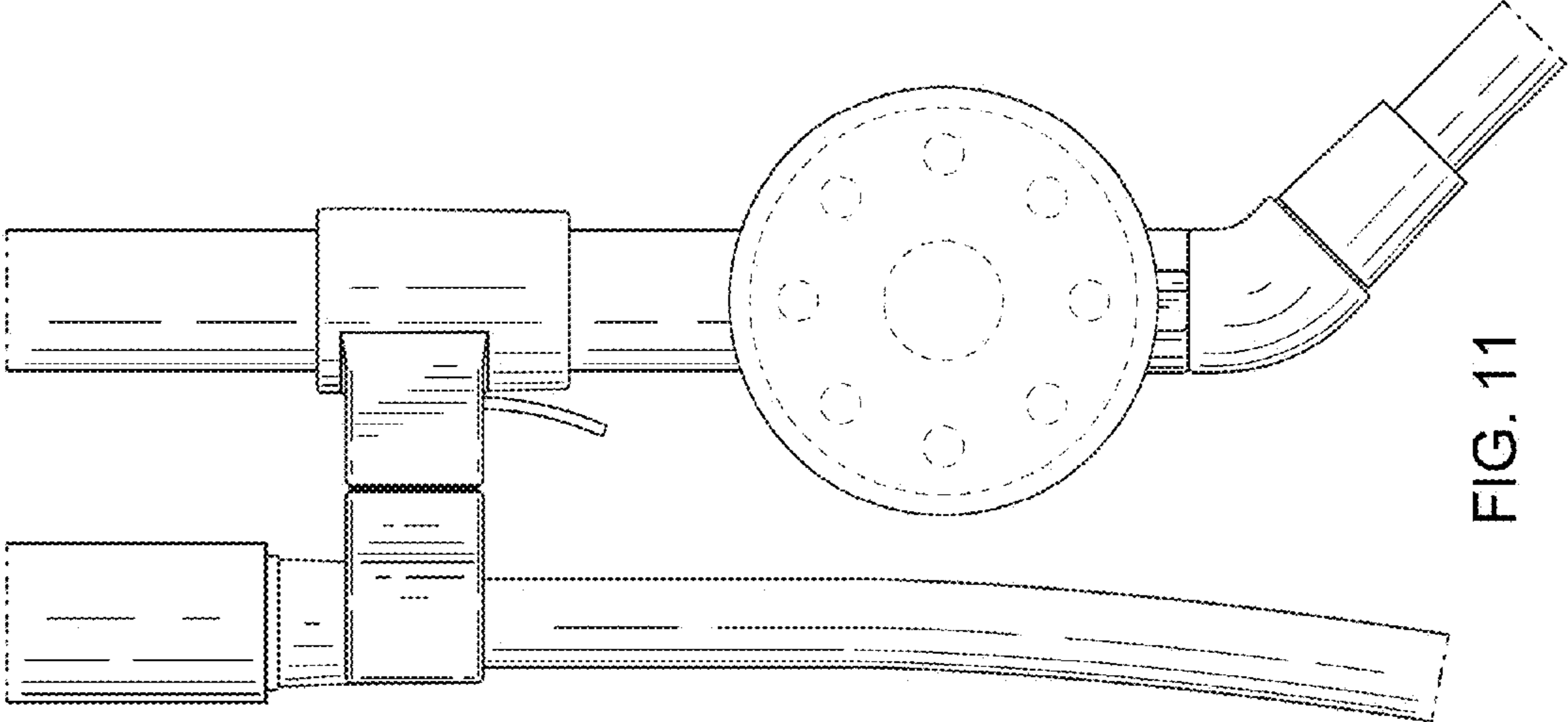


FIG. 11

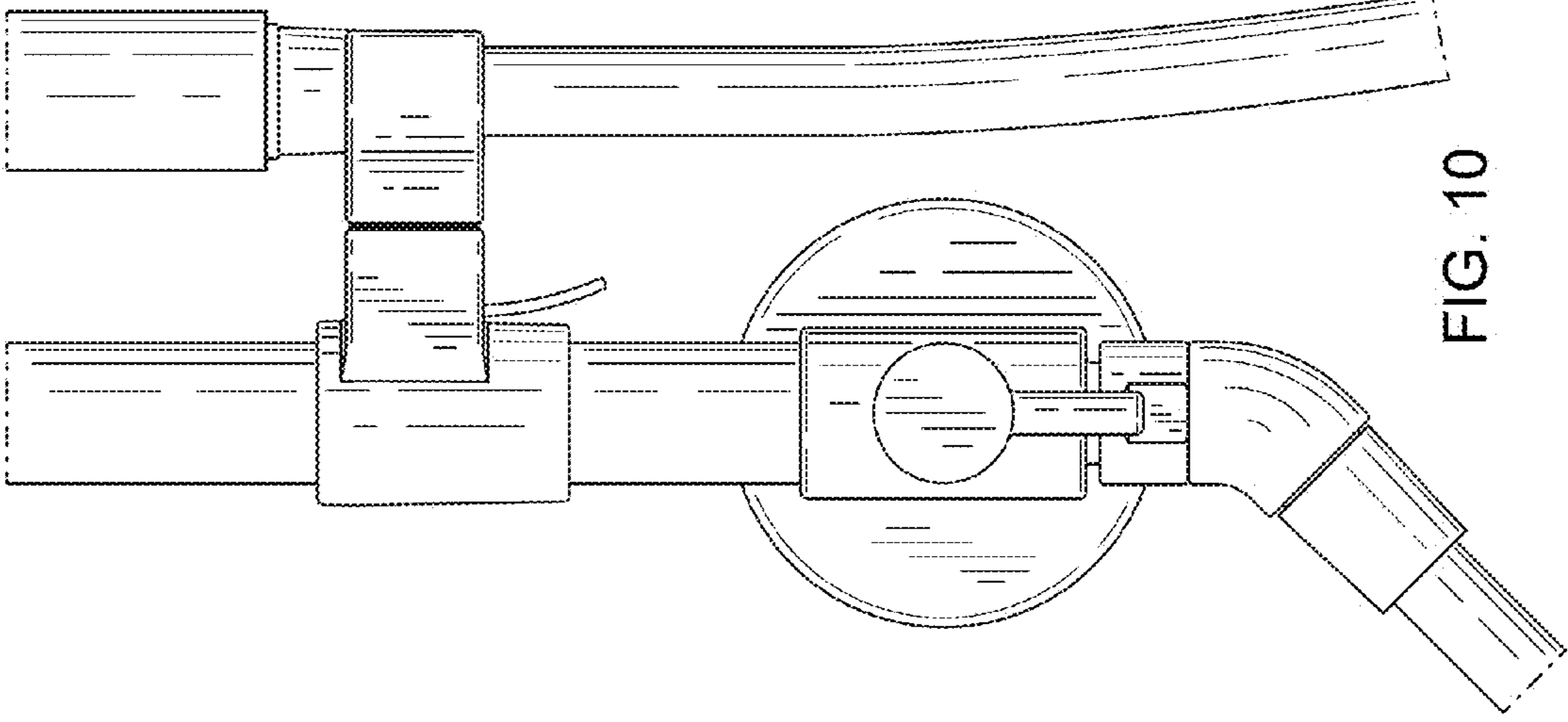


FIG. 10

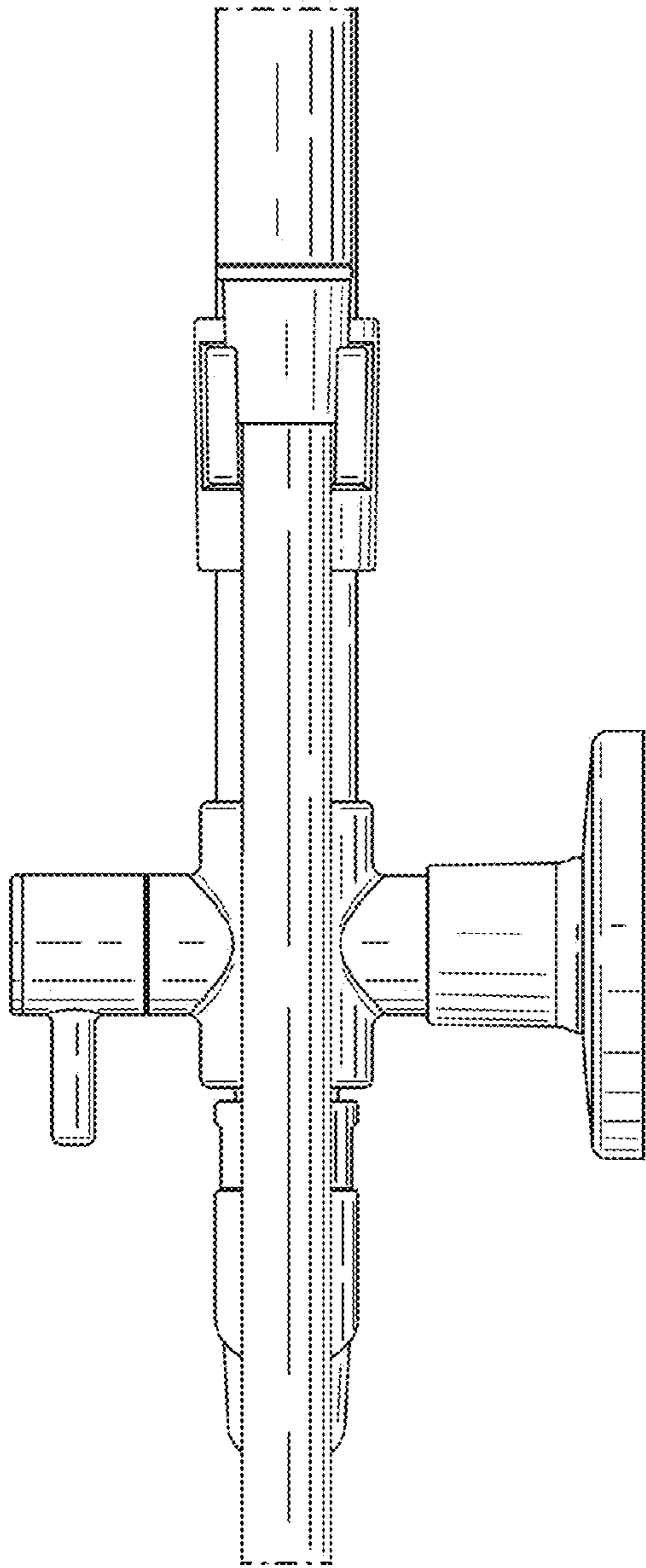


FIG. 12

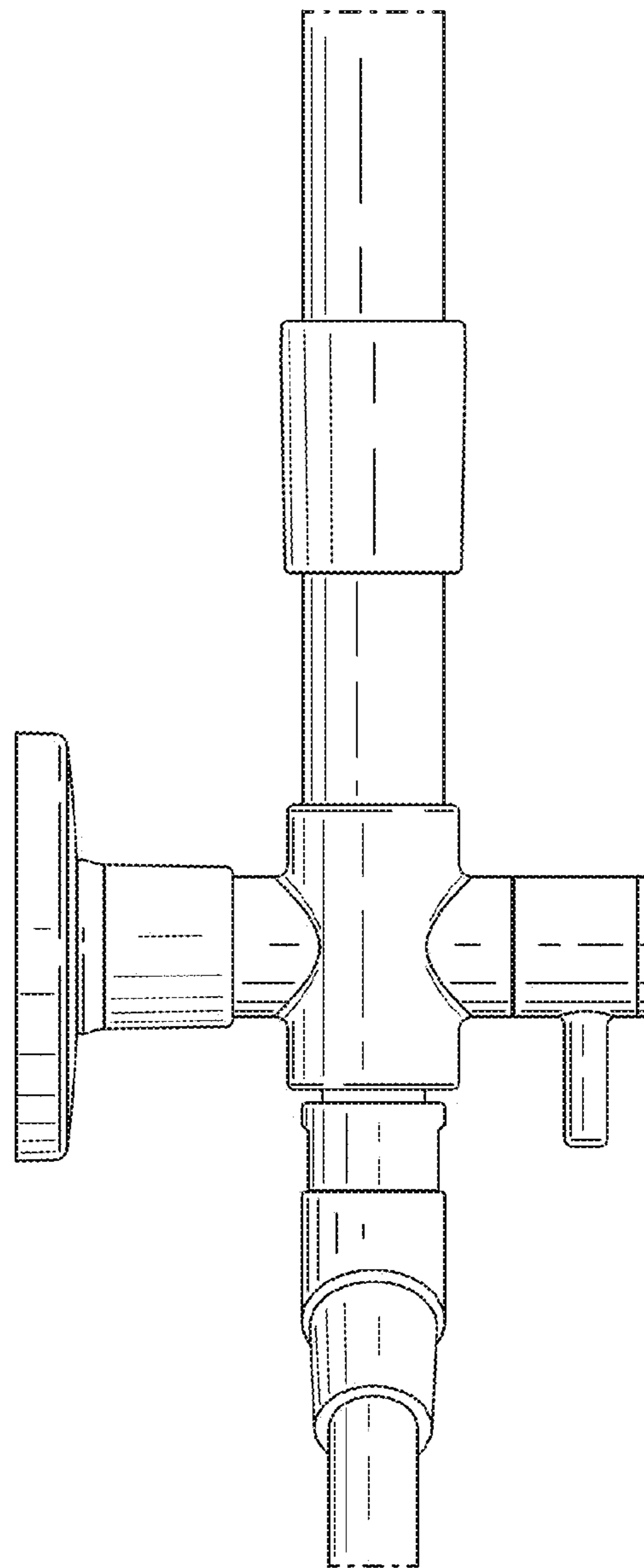


FIG. 13

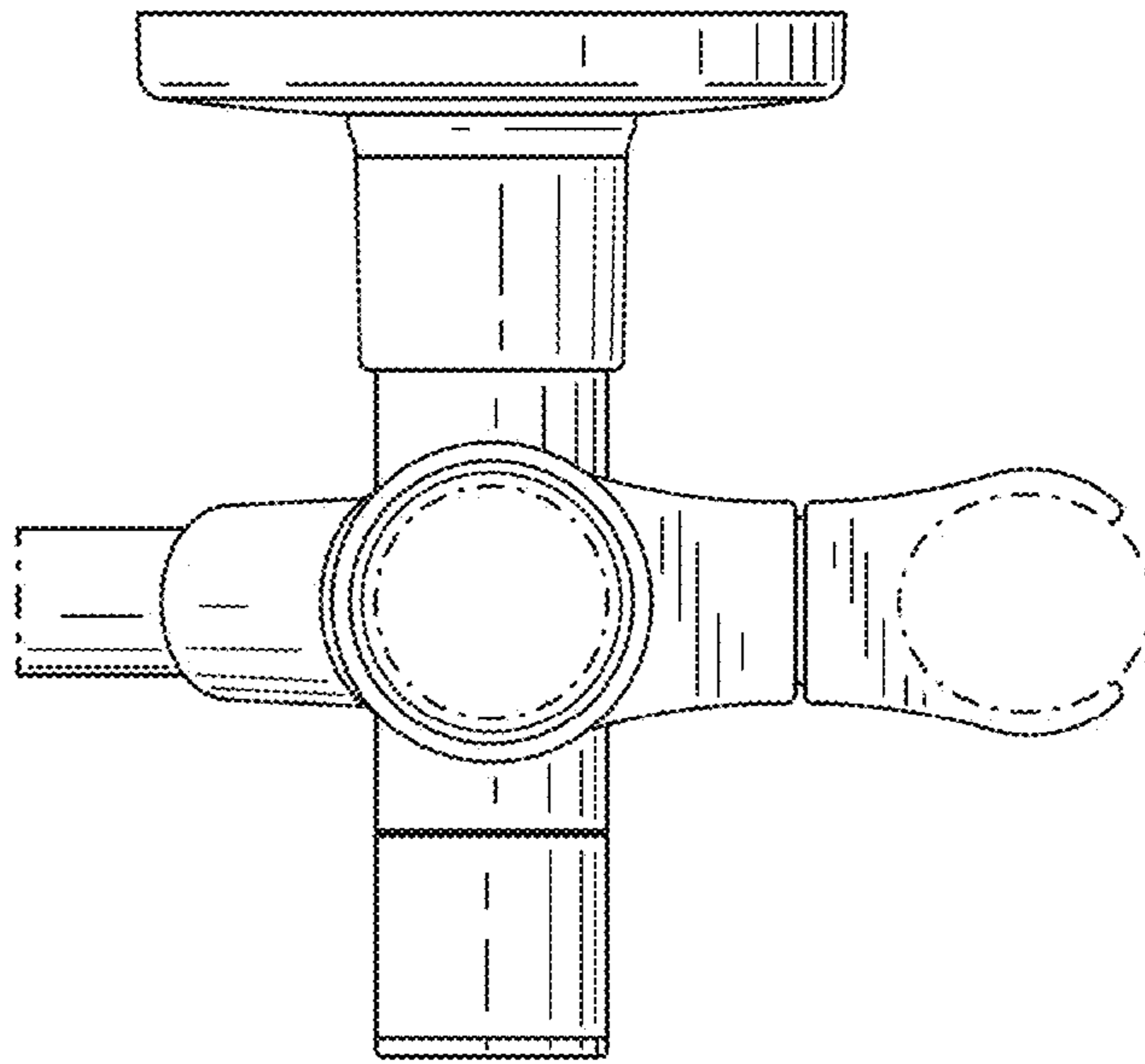


FIG. 14

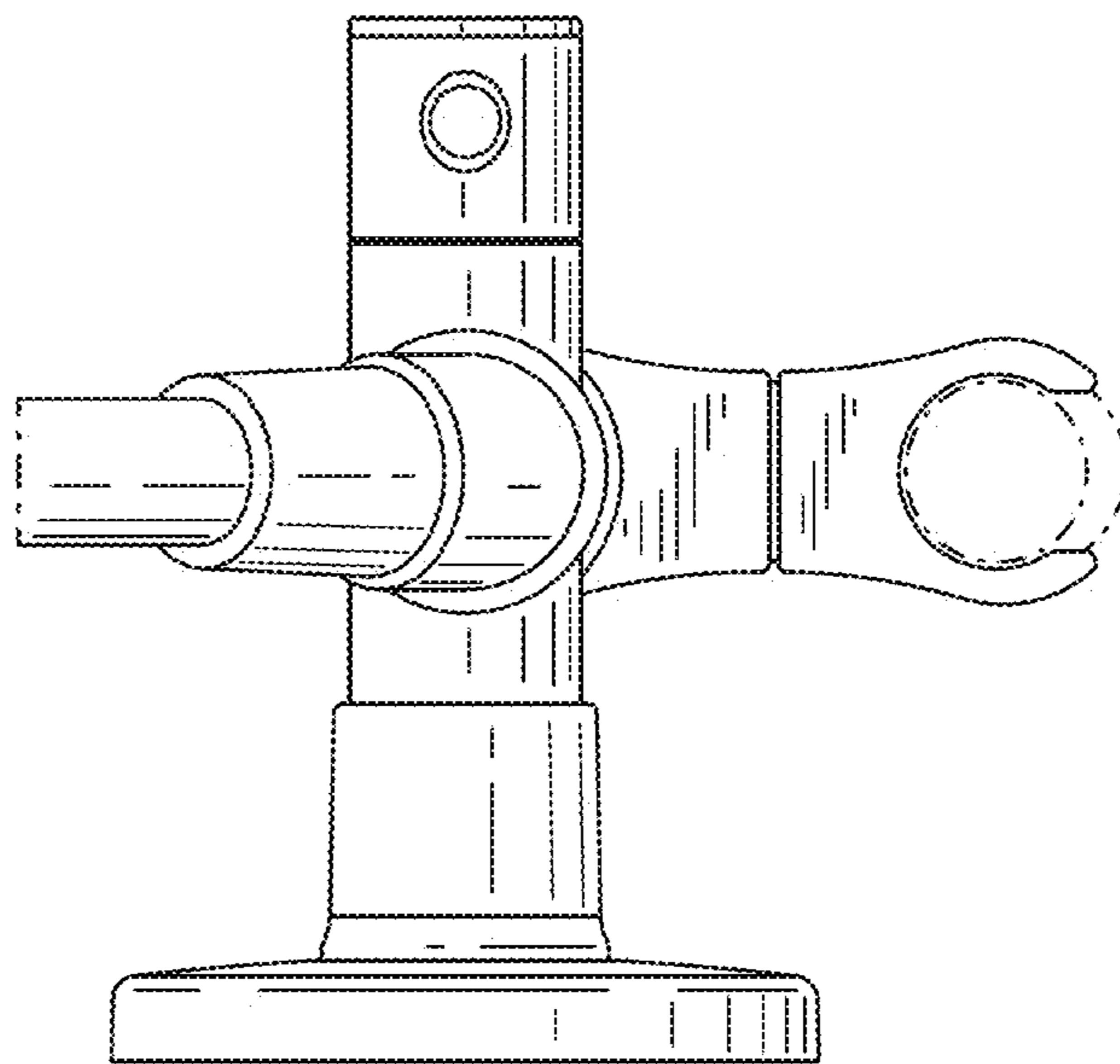


FIG. 15