



US00D685448S

(12) **United States Design Patent**
O'Donnell

(10) **Patent No.:** **US D685,448 S**

(45) **Date of Patent:** **** Jul. 2, 2013**

(54) **ICE FISHING POLE STAND**

(71) Applicant: **Donald J. O'Donnell**, Eau Claire, WI
(US)

(72) Inventor: **Donald J. O'Donnell**, Eau Claire, WI
(US)

(**) Term: **14 Years**

(21) Appl. No.: **29/437,051**

(22) Filed: **Nov. 13, 2012**

(51) **LOC (9) Cl.** **22-05**

(52) **U.S. Cl.**
USPC **D22/147**

(58) **Field of Classification Search**
USPC D22/147, 134, 199; 43/17, 21.2;
D6/552-553; 248/528-530
See application file for complete search history.

(56) **References Cited**

U.S. PATENT DOCUMENTS

4,043,070 A 8/1977 Lamothe
4,642,930 A 2/1987 Graf
4,694,603 A 9/1987 Anderson

4,829,697 A 5/1989 Nakata
5,038,511 A * 8/1991 Gessner 43/21.2
D330,753 S 11/1992 Gutierrez
5,163,243 A * 11/1992 Wold et al. 43/17
5,448,849 A * 9/1995 Burgett 43/17
D418,195 S 12/1999 Perry
6,079,142 A 6/2000 Danser et al.
6,094,852 A 8/2000 Roach
D538,386 S 3/2007 Johnson et al.
D589,588 S * 3/2009 Begaye et al. D22/147
7,739,827 B2 * 6/2010 Keller 43/17

* cited by examiner

Primary Examiner — Catheri Oliver-Garcia

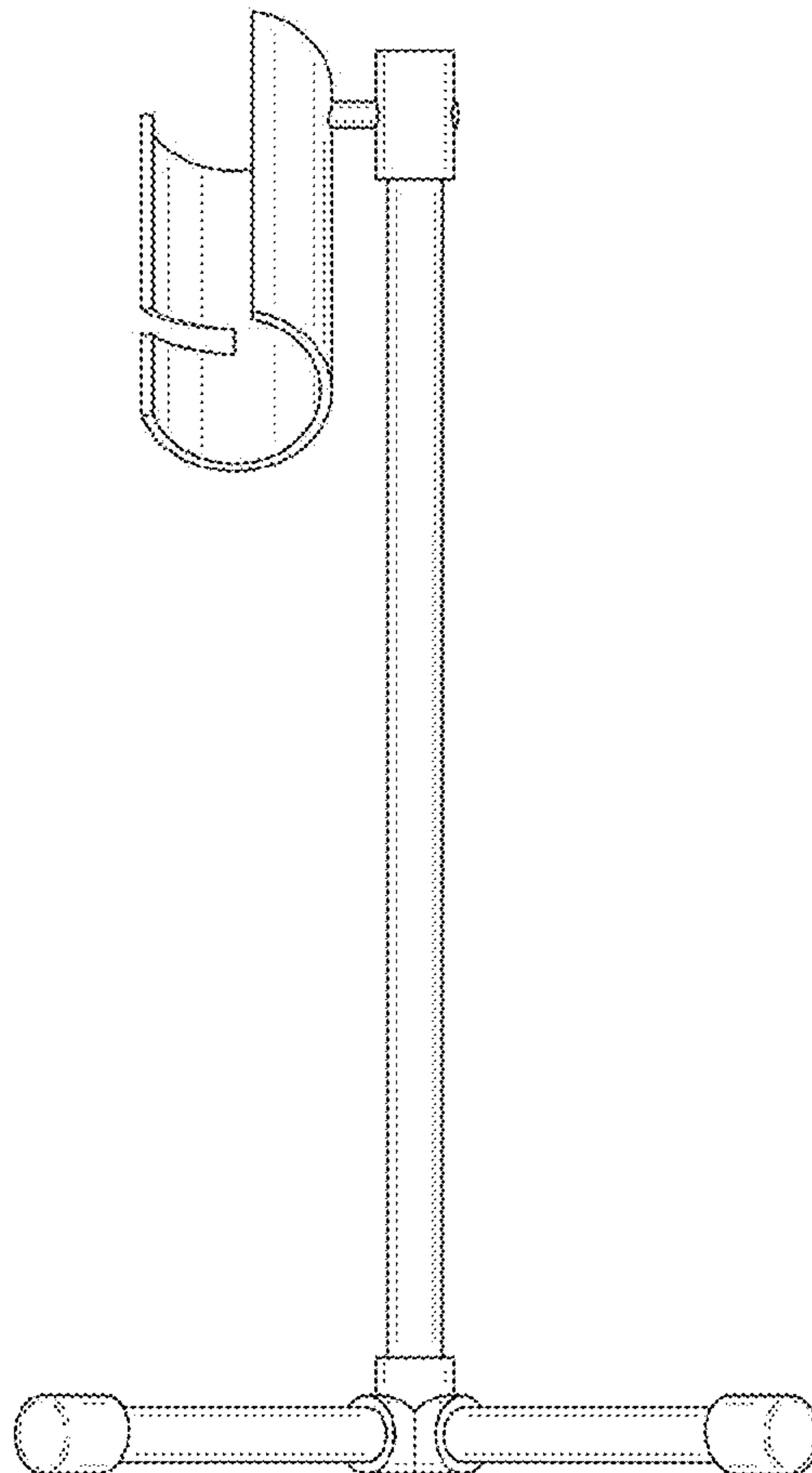
(57) **CLAIM**

I claim the ornamental design for the ice fishing pole stand, as shown and described.

DESCRIPTION

FIG. 1 is a front view of the ice fishing pole stand.
FIG. 2 is a rear view of the claimed design.
FIG. 3 is a left side view of the claimed design.
FIG. 4 is a right side view of the claimed design.
FIG. 5 is a top view of the claimed design; and,
FIG. 6 is a bottom view of the claimed design.

1 Claim, 6 Drawing Sheets



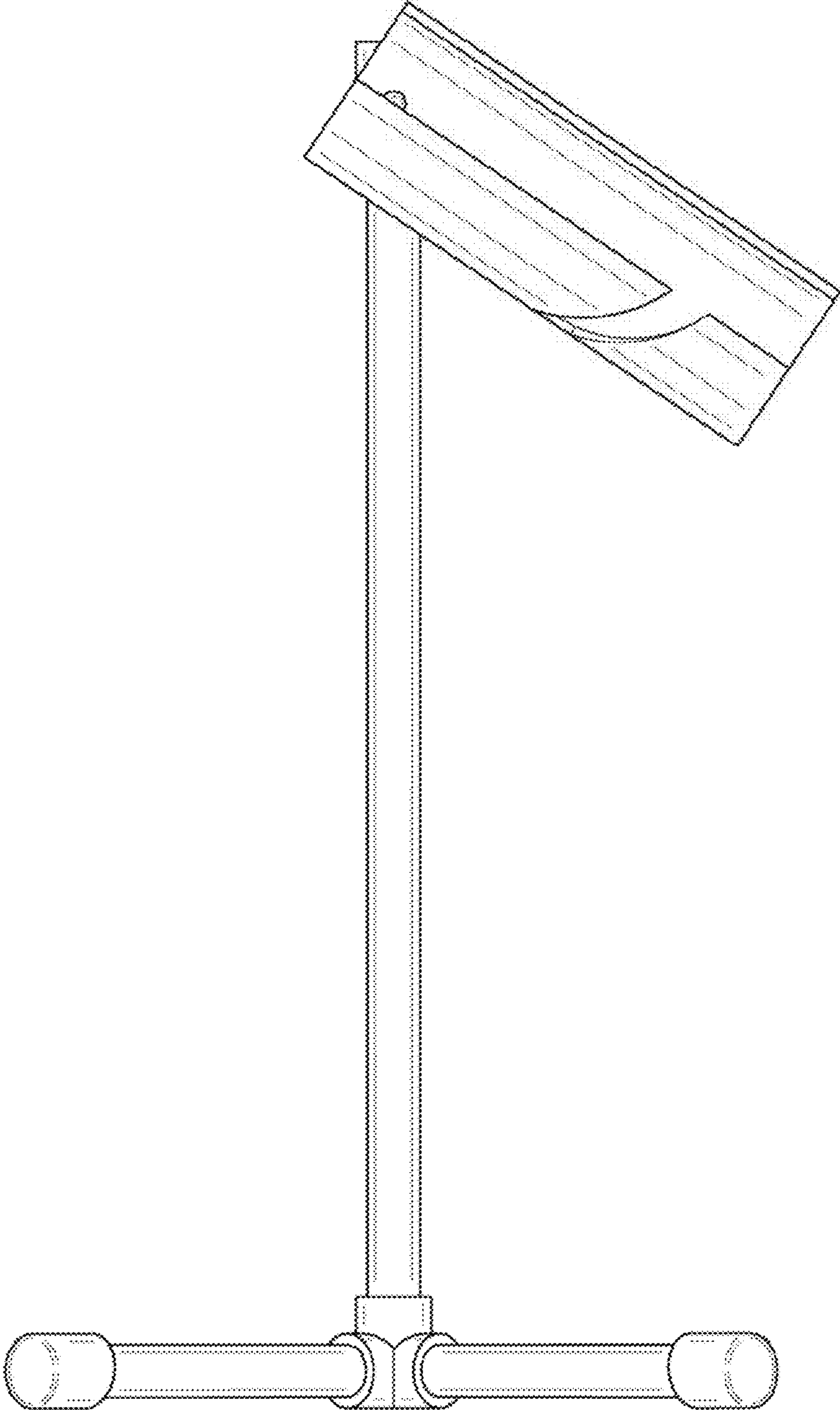


FIG. 1

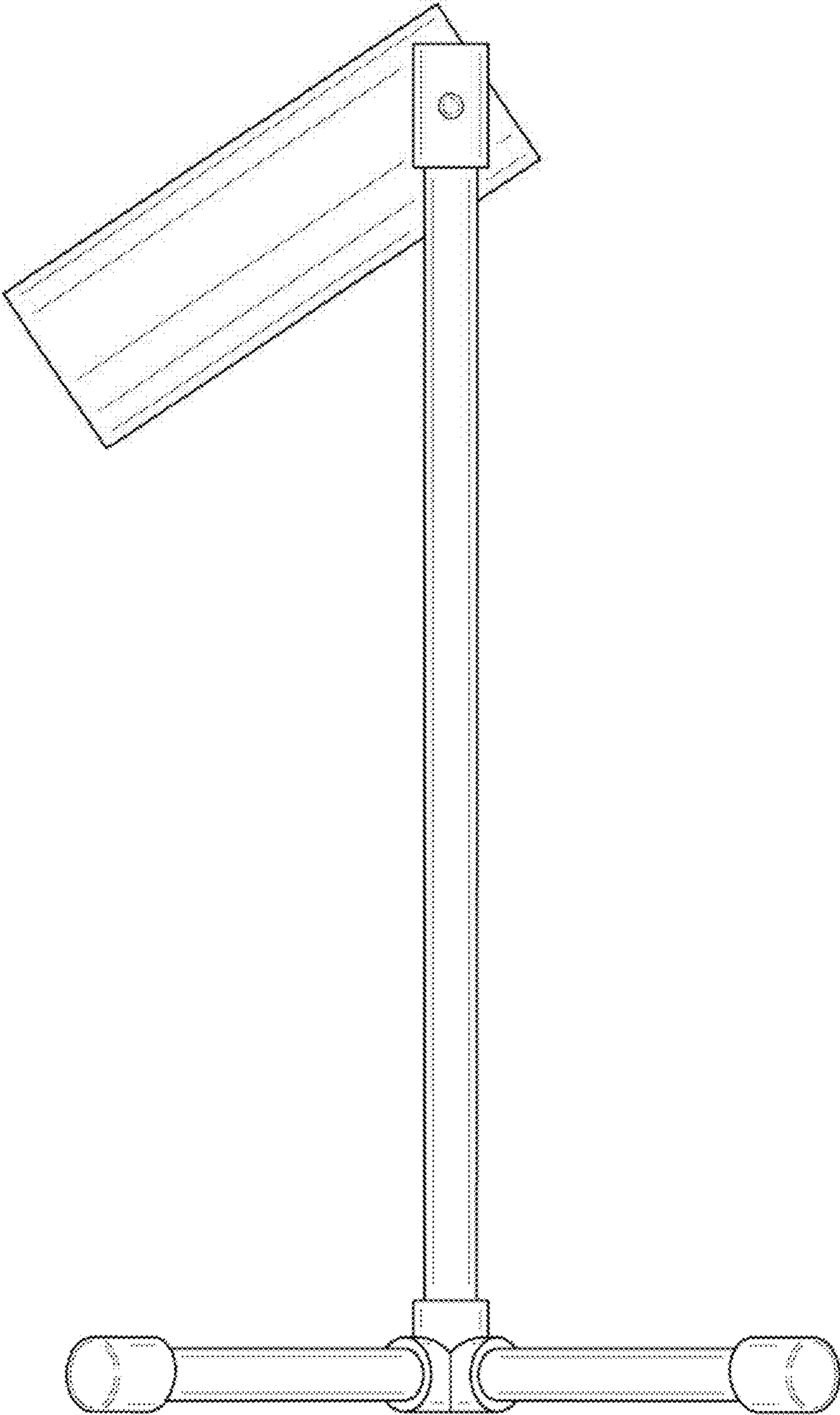


FIG. 2

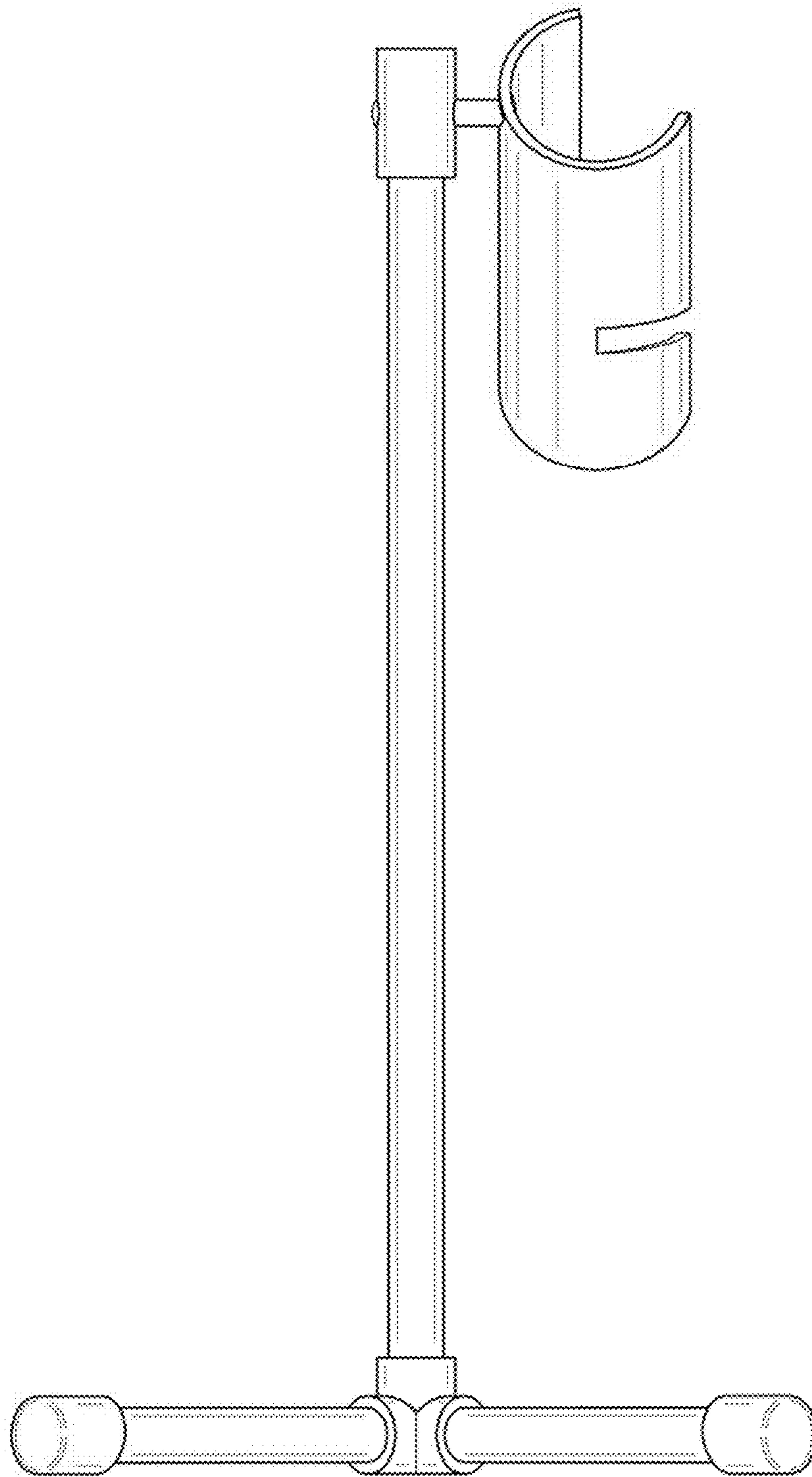


FIG. 3

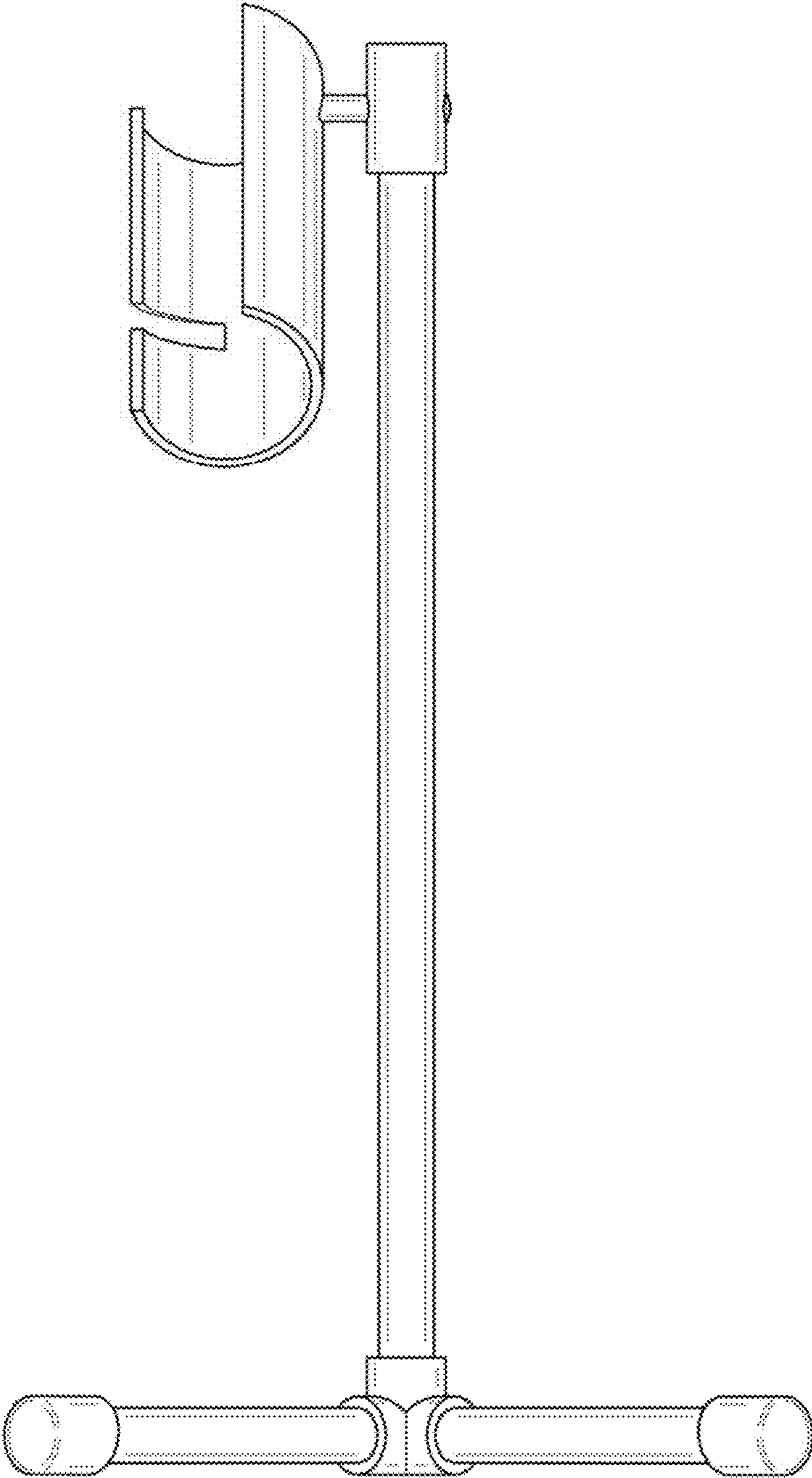


FIG. 4

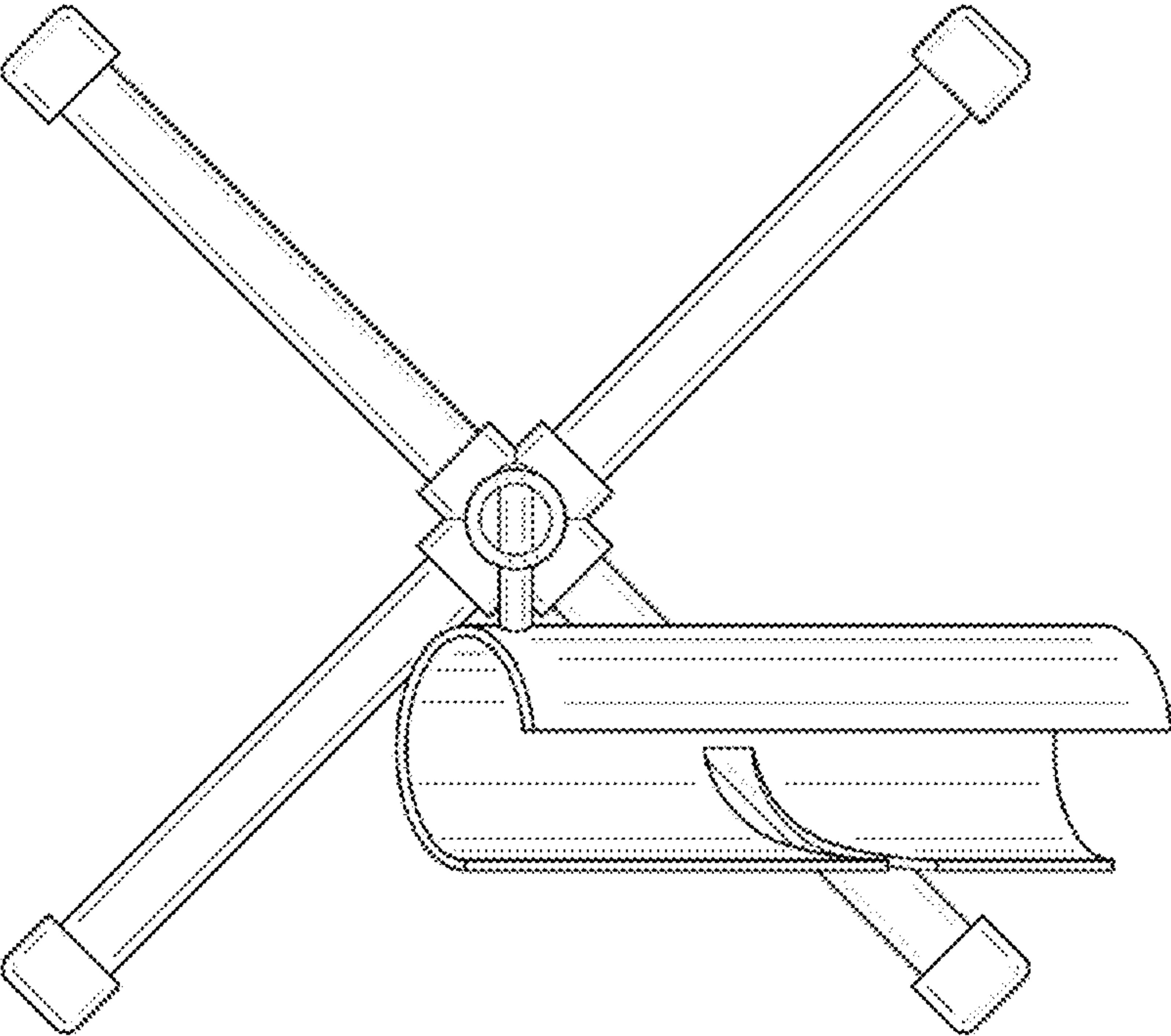


FIG. 5

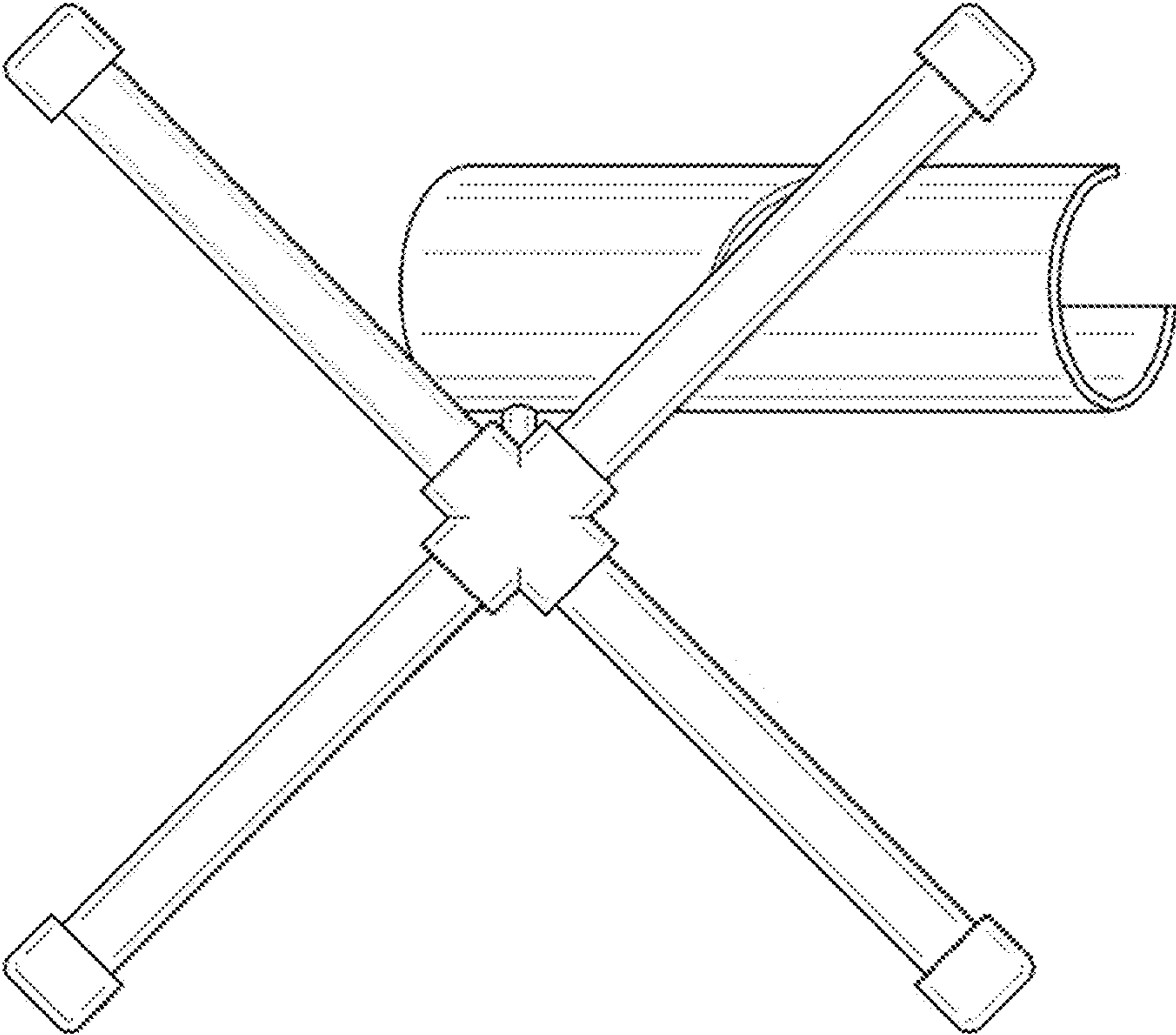


FIG. 6