



US00D685442S

(12) **United States Design Patent**
Childs

(10) **Patent No.:** **US D685,442 S**

(45) **Date of Patent:** **** Jul. 2, 2013**

(54) **POLYURETHANE DUMBBELL**

(75) **Inventor:** **Martin Childs**, Peterborough (GB)

(73) **Assignee:** **Escape Fitness Limited**, Peterborough (GB)

(**) **Term:** **14 Years**

(21) **Appl. No.:** **29/426,197**

(22) **Filed:** **Jul. 2, 2012**

(30) **Foreign Application Priority Data**

Feb. 2, 2012 (EM) 001984972-0001

(51) **LOC (9) Cl.** **21-02**

(52) **U.S. Cl.**
USPC **D21/681**

(58) **Field of Classification Search**
USPC D21/662, 677-682, 684, 694; 482/47,
482/50, 92-94, 104-108, 111, 139, 140,
482/142; D31/160; 119/707
See application file for complete search history.

(56) **References Cited**

U.S. PATENT DOCUMENTS

D26,418 S * 12/1896 Heydrick D21/680
D271,408 S * 11/1983 Bauer D21/681

D339,839 S * 9/1993 Day D21/678
D415,803 S * 10/1999 Cousins D21/681
D444,516 S * 7/2001 Pearson et al. D21/681
D489,102 S * 4/2004 Chen D21/681
D496,414 S * 9/2004 Harms et al. D21/681
D504,923 S * 5/2005 Harms et al. D21/681
D538,359 S * 3/2007 Yordinsky D21/681
D540,405 S * 4/2007 Crawford et al. D21/681
RE40,430 E * 7/2008 Markham 119/707
D636,037 S * 4/2011 Chuang et al. D21/684
D663,795 S * 7/2012 Hillson D21/681

* cited by examiner

Primary Examiner — Susan E Krakower

(74) *Attorney, Agent, or Firm* — Ryan A. Schneider, Esq.;
Troutman Sanders LLP

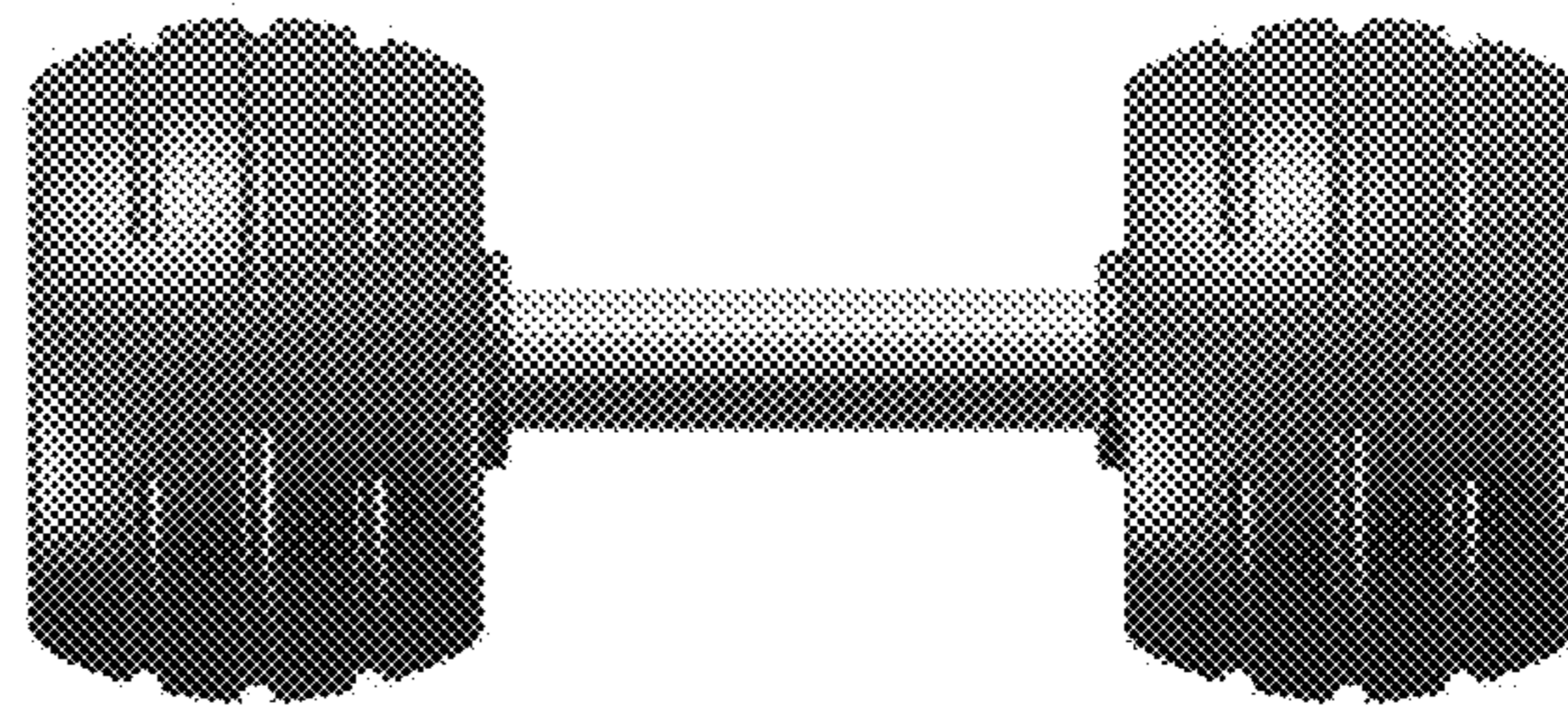
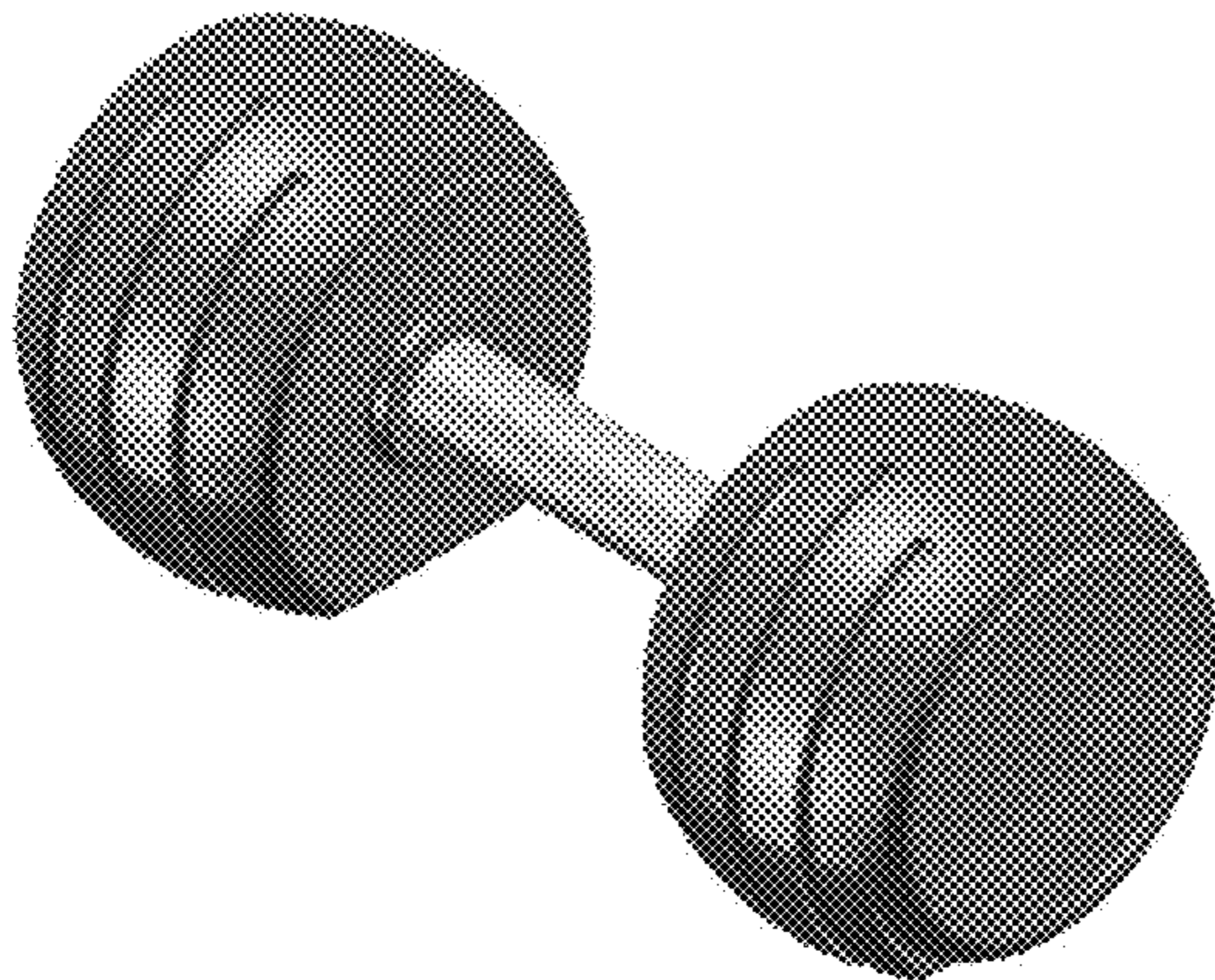
(57) **CLAIM**

The ornamental design for the polyurethane dumbbell, as shown and described.

DESCRIPTION

FIG. 1 is a perspective view of the polyurethane dumbbell of the present invention;
FIG. 2 is a top view of the dumbbell of FIG. 1;
FIG. 3 is a bottom view of the dumbbell of FIG. 1;
FIG. 4 is a front view of the dumbbell of FIG. 1, the back view being an identical image; and,
FIG. 5 is a side view of the dumbbell of FIG. 1, the other side view being an identical image.

1 Claim, 5 Drawing Sheets



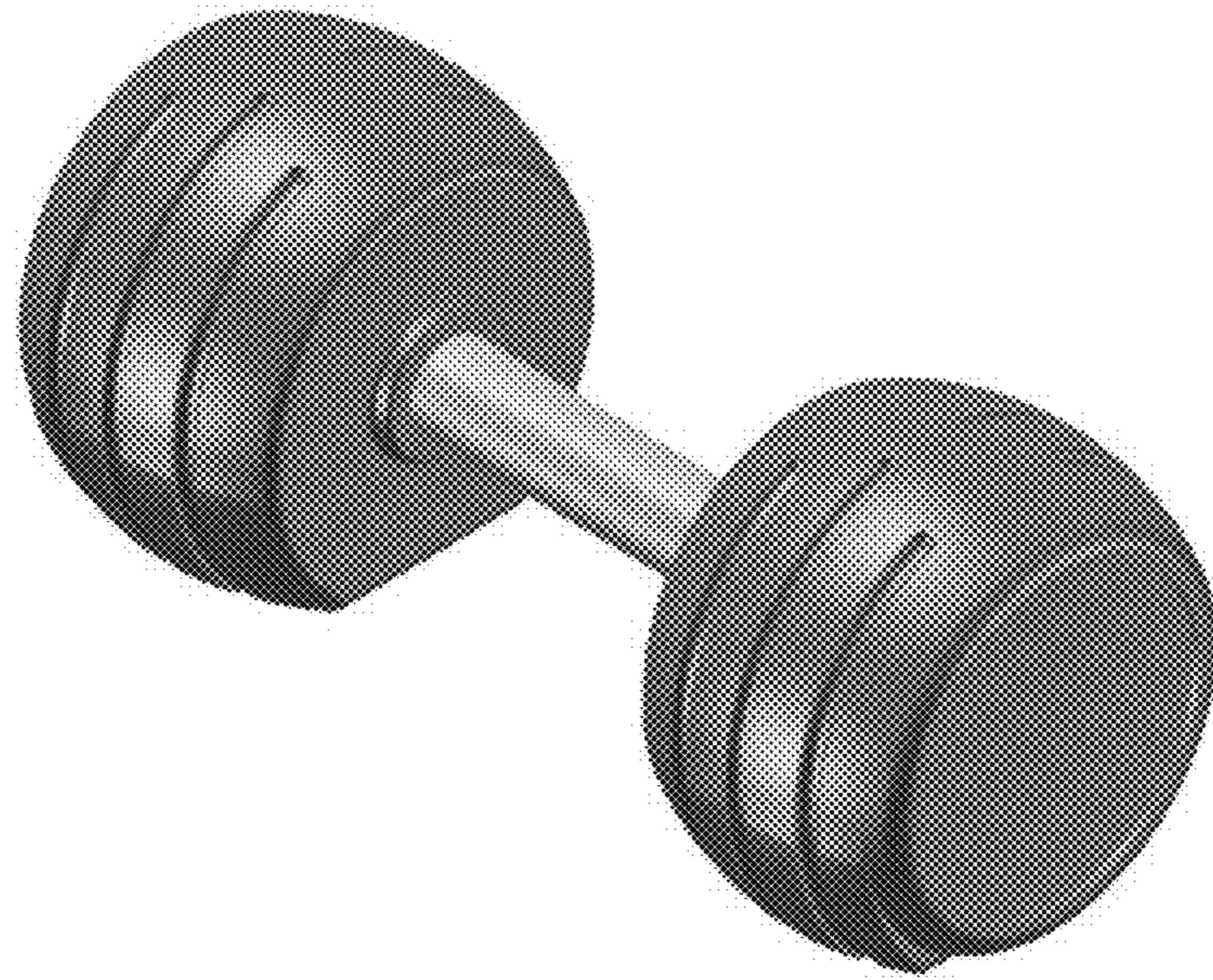


Fig. 1

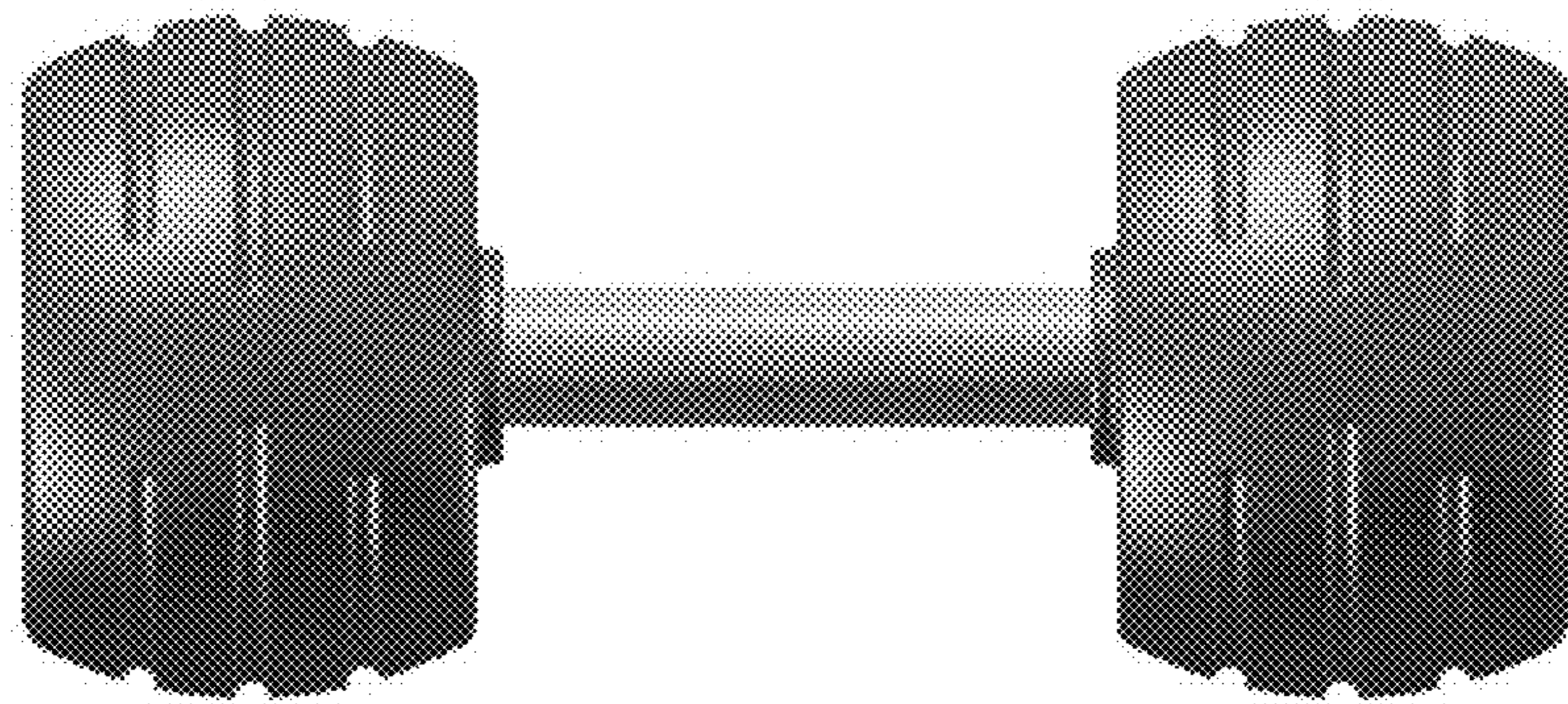


Fig. 2

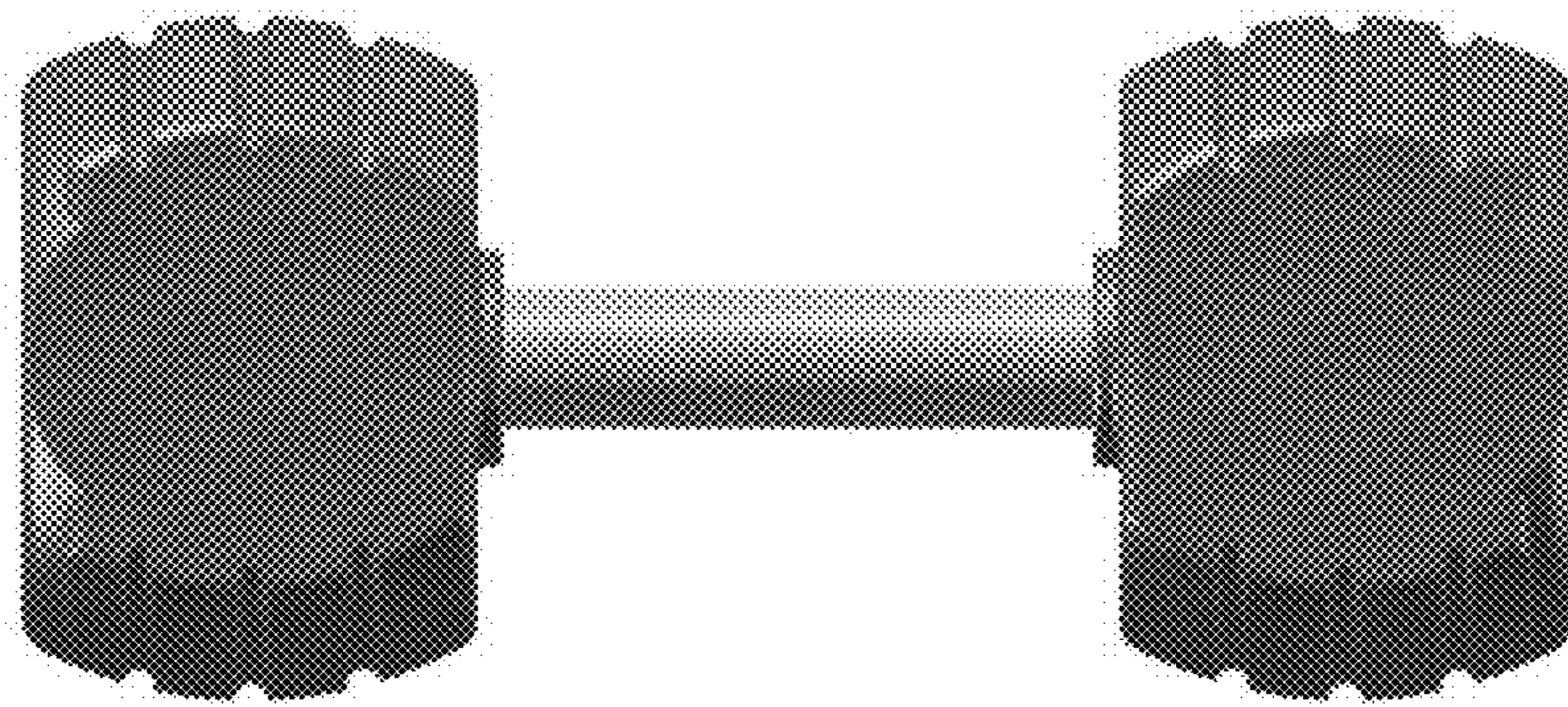


Fig. 3

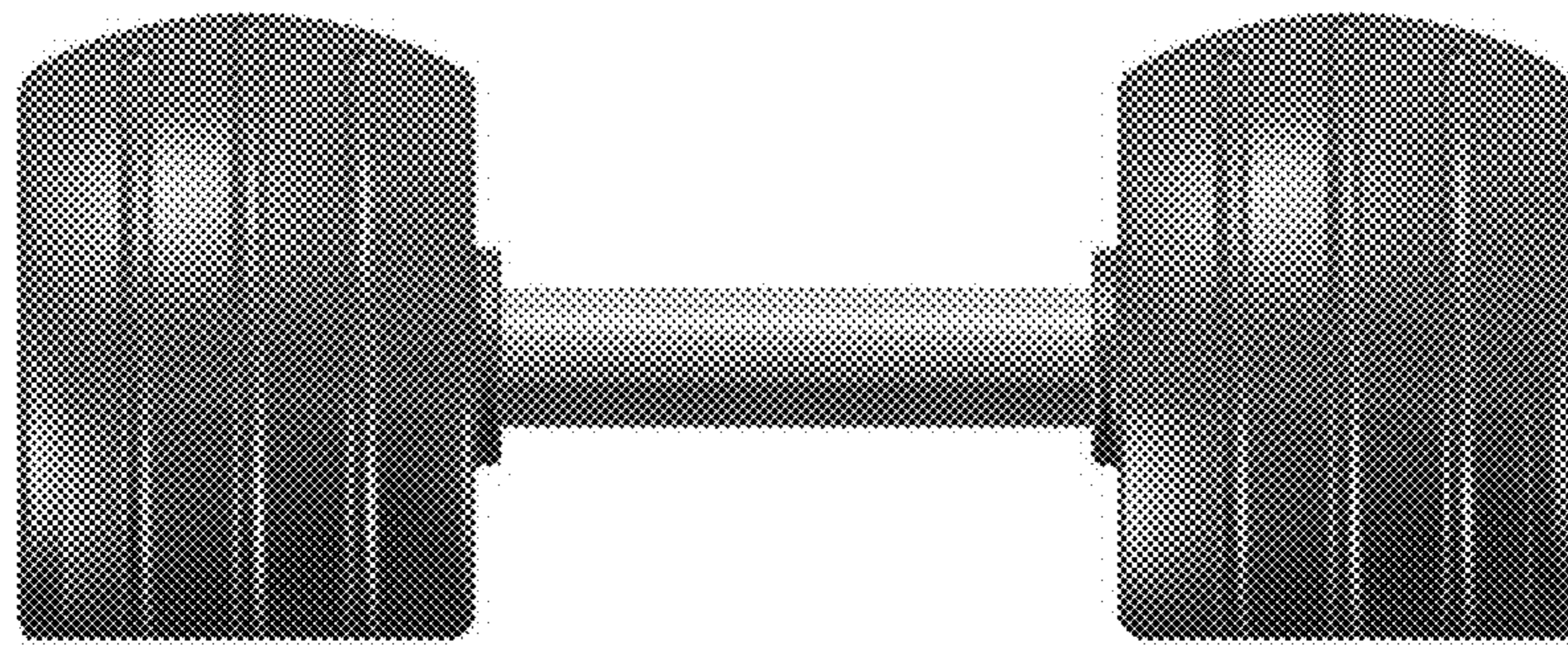


Fig. 4



Fig. 5