



US00D685440S

(12) **United States Design Patent**  
**Tuttle**

(10) **Patent No.:** **US D685,440 S**

(45) **Date of Patent:** **\*\* Jul. 2, 2013**

(54) **EXERCISE WEIGHT**

(76) Inventor: **Anne M. Tuttle**, Durant, OK (US)

(\*\*) Term: **14 Years**

(21) Appl. No.: **29/420,229**

(22) Filed: **May 7, 2012**

(51) **LOC (9) Cl.** ..... **21-02**

(52) **U.S. Cl.**  
USPC ..... **D21/680; D21/683**

(58) **Field of Classification Search**  
USPC ..... D21/662, 677-681, 684, 686, 694,  
D21/809; 482/55, 92-94, 97-111, 114-115,  
482/139, 140, 142; D24/190, 200, 206, 207,  
D24/215; D6/596, 601  
See application file for complete search history.

(56) **References Cited**

U.S. PATENT DOCUMENTS

3,427,020	A *	2/1969	Montour et al.	.....	482/105
D311,838	S *	11/1990	Dillon	.....	D6/596
4,995,604	A *	2/1991	Lynch et al.	.....	482/55
D407,785	S *	4/1999	Scheurer et al.	.....	D21/809
6,050,925	A *	4/2000	Irvin et al.	.....	482/111

6,058,535	A *	5/2000	Firkins et al.	.....	5/653
D438,628	S *	3/2001	Yen et al.	.....	D24/206
D457,207	S *	5/2002	Riley, Jr.	.....	D21/683
D584,911	S *	1/2009	Hisey et al.	.....	D6/601
D613,871	S *	4/2010	Choi et al.	.....	D24/215
D629,914	S *	12/2010	Hunter	.....	D24/207
D657,832	S *	4/2012	Beber et al.	.....	D21/683

\* cited by examiner

*Primary Examiner* — Susan E Krakower

(74) *Attorney, Agent, or Firm* — QuickPatents; Kevin Prince

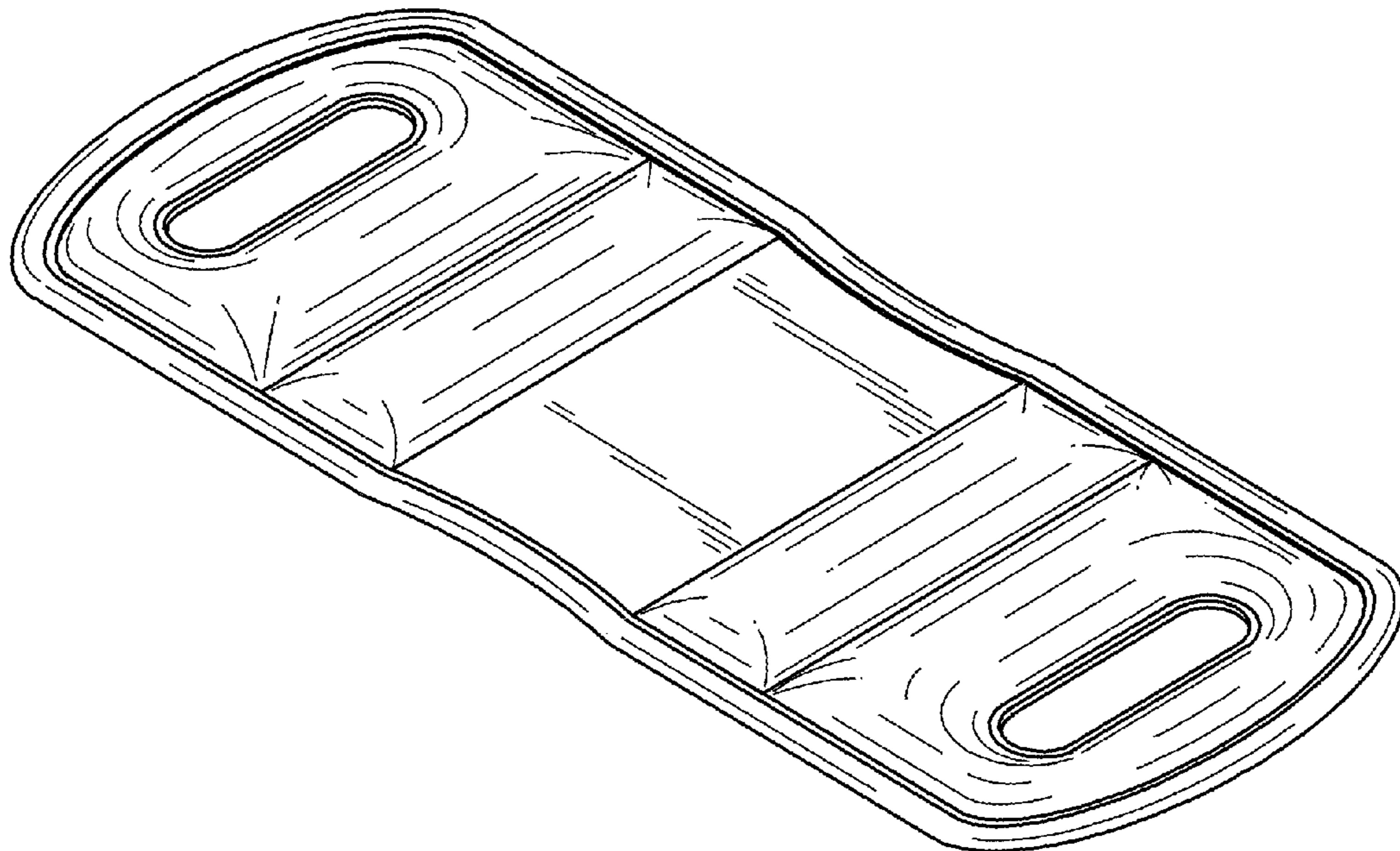
(57) **CLAIM**

I claim the ornamental design for an exercise weight, as shown and described.

**DESCRIPTION**

FIG. 1 is a perspective view of an exercise weight, showing my new design;  
FIG. 2 is a top plan view thereof;  
FIG. 3 is a front elevational view thereof, the rear elevational view being a mirror image thereof;  
FIG. 4 is a left-side elevational view thereof, the right-side elevational view being a mirror image thereof; and,  
FIG. 5 is a bottom plan view thereof.

**1 Claim, 3 Drawing Sheets**



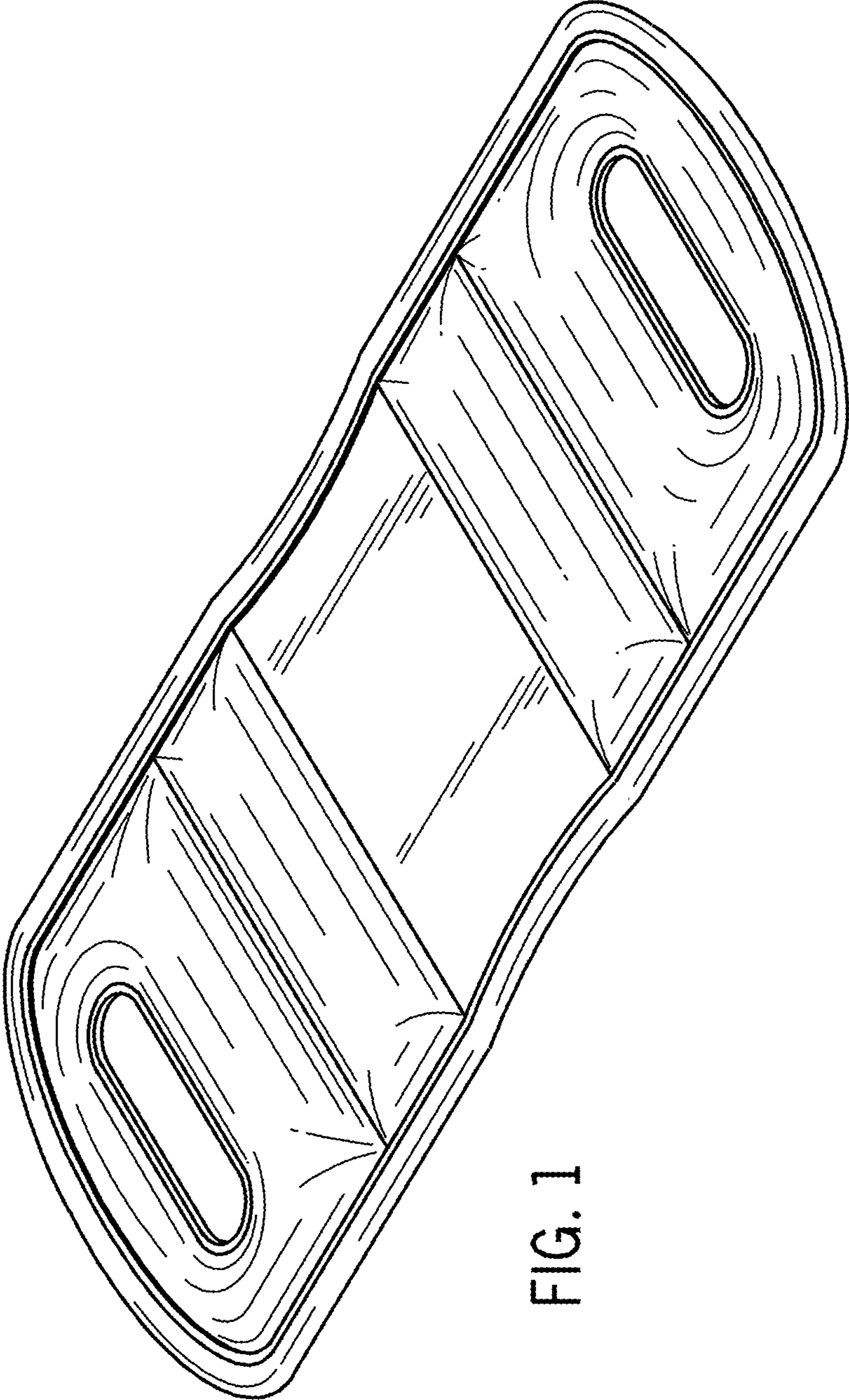


FIG. 1

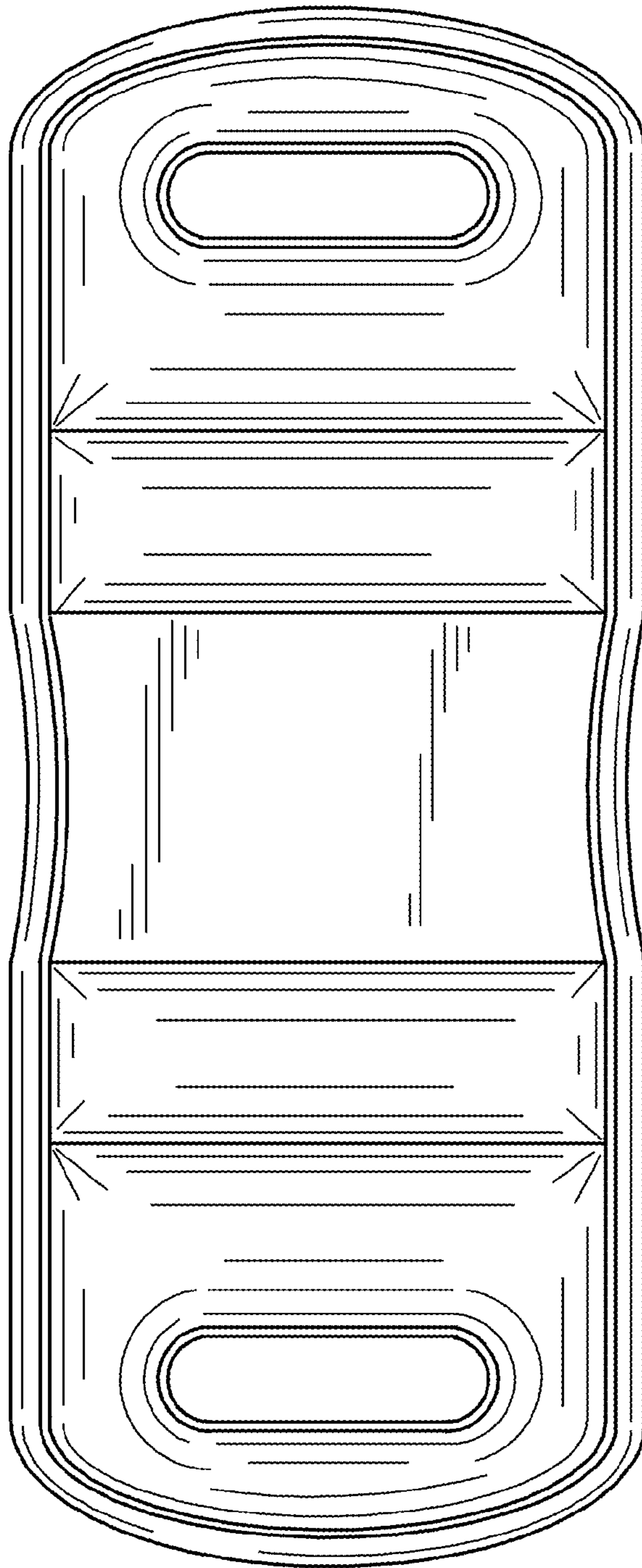


FIG. 2

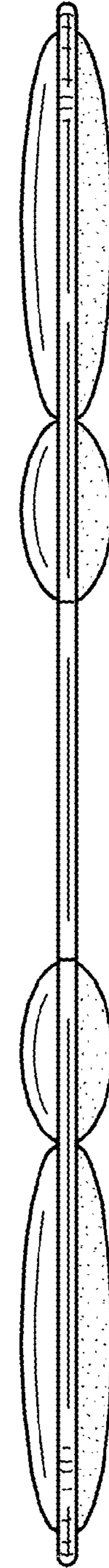


FIG. 3

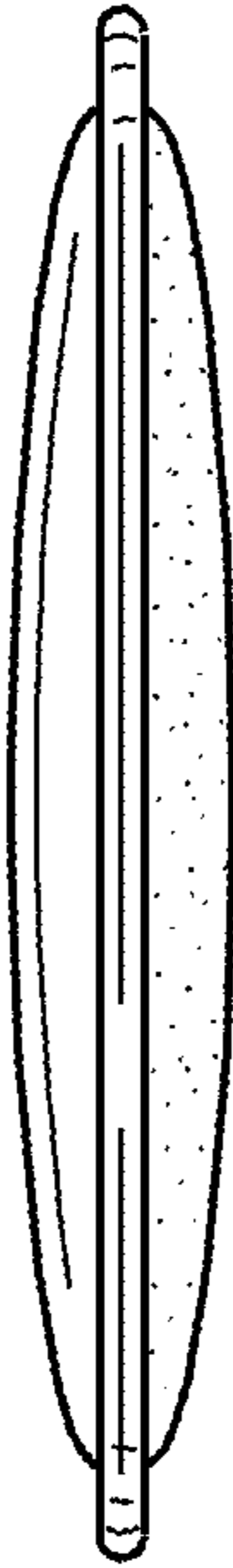


FIG. 4

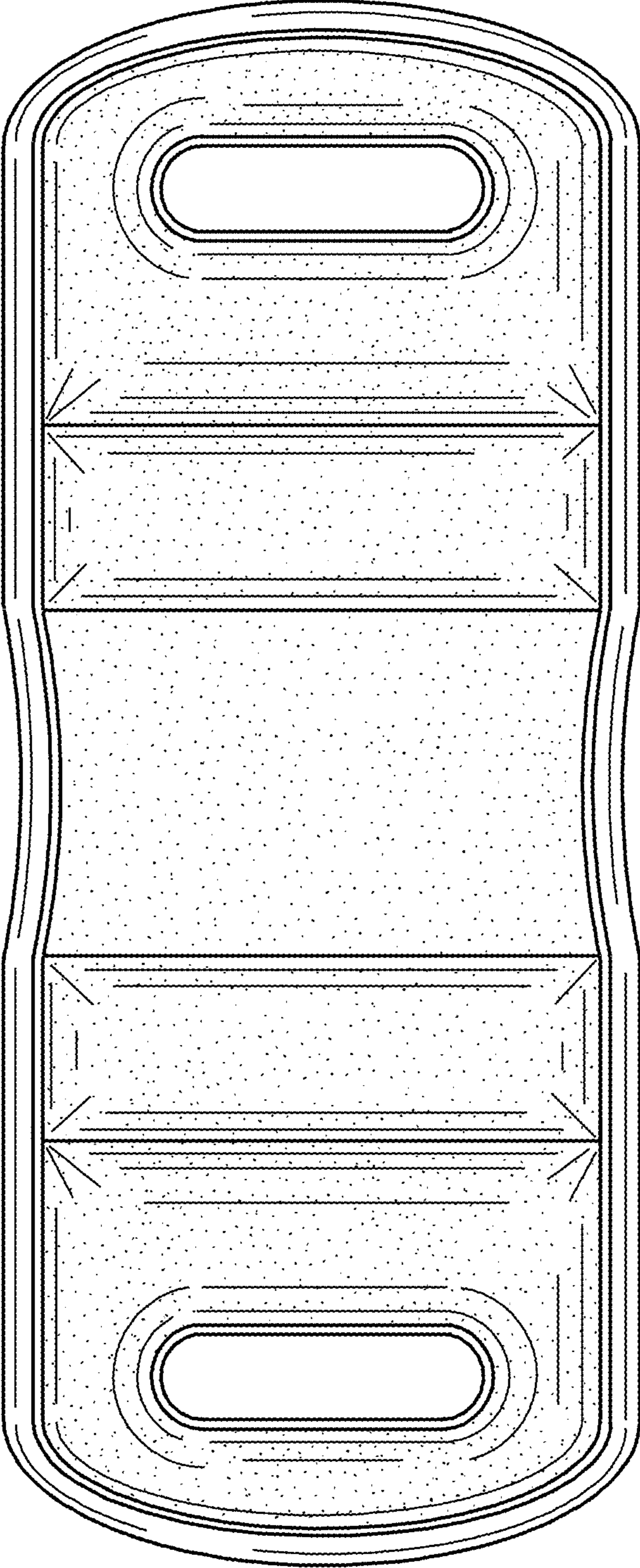


FIG. 5